



US00D826301S

(12) **United States Design Patent**
Vallelly et al.

(10) **Patent No.: US D826,301 S**
(45) **Date of Patent: ** Aug. 21, 2018**

(54) **MATERIAL HANDLING APPARATUS**

6,065,606 A * 5/2000 Bonner B07B 1/005
209/241

(71) Applicant: **CDE Global Limited**, Cookstown,
County Tyrone (GB)

6,098,812 A 8/2000 Douglas
6,698,594 B2 3/2004 Cohen et al.
6,726,025 B1 4/2004 Huskey
D549,755 S 8/2007 Wietgreffe et al.

(72) Inventors: **Kevin Vallelly**, Maghera (GB);
Anthony Convery, Moneymore (GB);
Robert Lyttle, Dungannon (GB)

(Continued)

OTHER PUBLICATIONS

(73) Assignee: **CDE Global Limited**, Cookstown,
County Tyrone (GB)

Co-pending and commonly owned design U.S. Appl. No.
29/528,919, filed Jun. 2, 2015.

(Continued)

(**) Term: **15 Years**

Primary Examiner — Cynthia Ramirez

(21) Appl. No.: **29/588,225**

(74) *Attorney, Agent, or Firm* — Gardner, Linn, Burkhart
& Ondersma LLP

(22) Filed: **Dec. 19, 2016**

(51) **LOC (11) Cl.** **15-09**

(57) **CLAIM**

(52) **U.S. Cl.**
USPC **D15/147**; D34/29

The ornamental design for a material handling apparatus, as
shown and described.

(58) **Field of Classification Search**
USPC D34/29; D15/147, 199; 209/420, 284,
209/241

DESCRIPTION

CPC B07B 1/005; B07B 1/46; B07B 1/4672;
B07B 1/22; B07B 1/18; B07B 1/24
See application file for complete search history.

FIG. 1 is a perspective view of a material handling apparatus
showing our new design;
FIG. 2 is another is a perspective view of the material
handling apparatus of FIG. 1;
FIG. 3 is a rear end elevation of the material handling
apparatus of FIG. 1;
FIG. 4 is a front end elevation of the material handling
apparatus of FIG. 1;
FIG. 5 is a left side elevation of the material handling
apparatus of FIG. 1;
FIG. 6 is a right side elevation of the material handling
apparatus of FIG. 1; and,
FIG. 7 is a top plan view of the material handling apparatus
of FIG. 1.

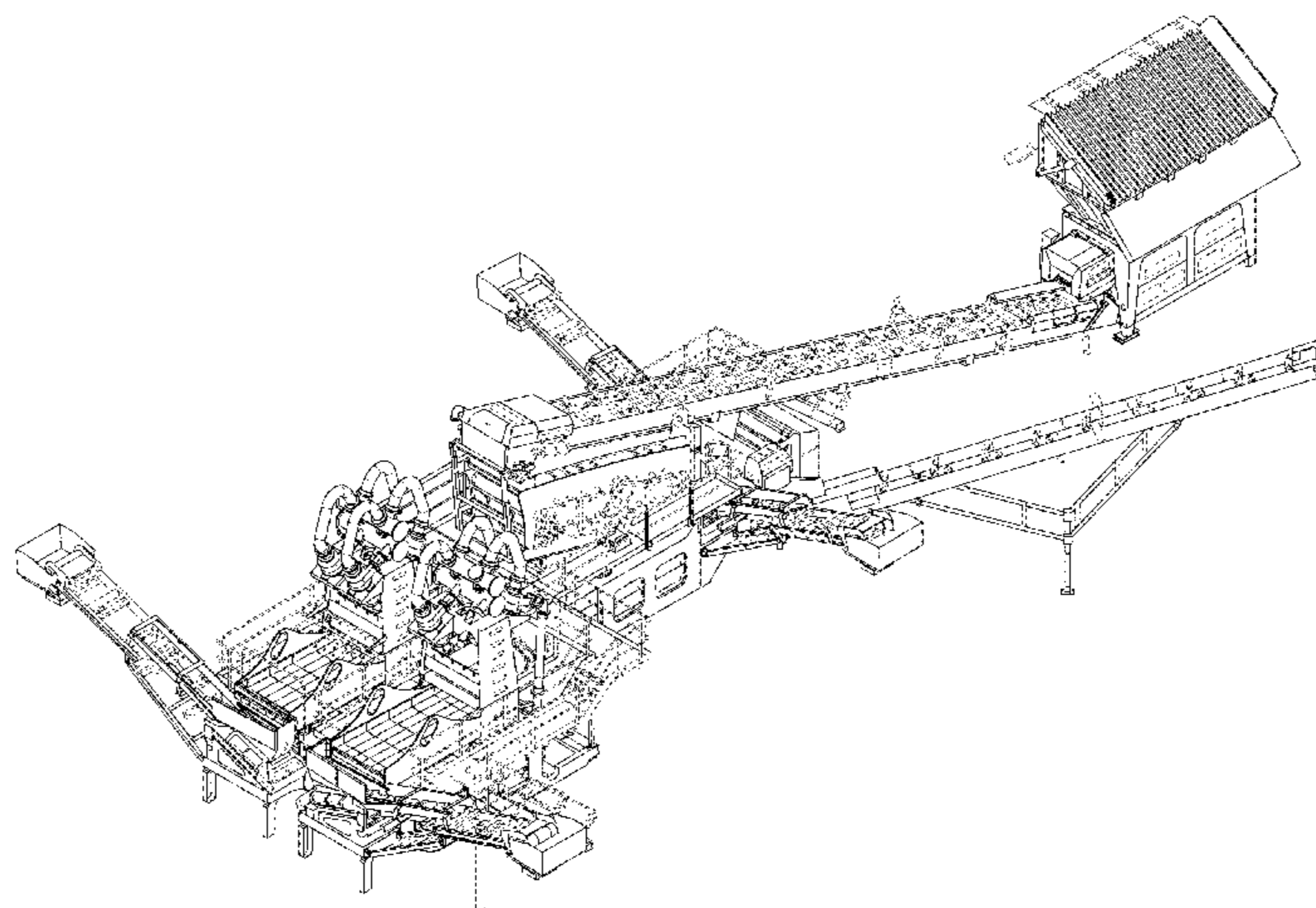
The broken lines in the drawings are to show portions of the
material handling apparatus that form no part of the claimed
design.

(56) **References Cited**

U.S. PATENT DOCUMENTS

2,734,730 A	2/1956	Talboys	
D218,480 S *	8/1970	Hannon	D15/147
D225,774 S *	1/1973	Hannon	D15/147
3,884,346 A *	5/1975	O'Neill	B07B 1/005 198/589
D235,476 S *	6/1975	O'Neil et al.	D34/29
D235,477 S *	6/1975	O'Neil et al.	D34/29
D237,105 S *	10/1975	O'Neil et al.	D34/29
D237,540 S *	11/1975	O'Neil et al.	D15/147
D244,925 S *	7/1977	O'Neil	D15/147
D259,791 S *	7/1981	Davis, Jr.	D15/147
5,234,564 A	8/1993	Smith	
D375,752 S	11/1996	Douglas	

1 Claim, 6 Drawing Sheets



(56)

References Cited

U.S. PATENT DOCUMENTS

7,273,150 B2 9/2007 Fridman et al.
D589,992 S * 4/2009 Murphy D15/147
D631,900 S * 2/2011 Prochaska D15/147
D776,732 S * 1/2017 Convery D15/147
D776,733 S * 1/2017 Convery D15/147
2005/0045052 A1 3/2005 Cohen et al.
2007/0051669 A1 3/2007 Mandrell et al.
2007/0102326 A1 5/2007 Smith et al.

OTHER PUBLICATIONS

Co-pending and commonly-owned design U.S. Appl. No.
29/528,927, filed Jun. 2, 2015.

* cited by examiner

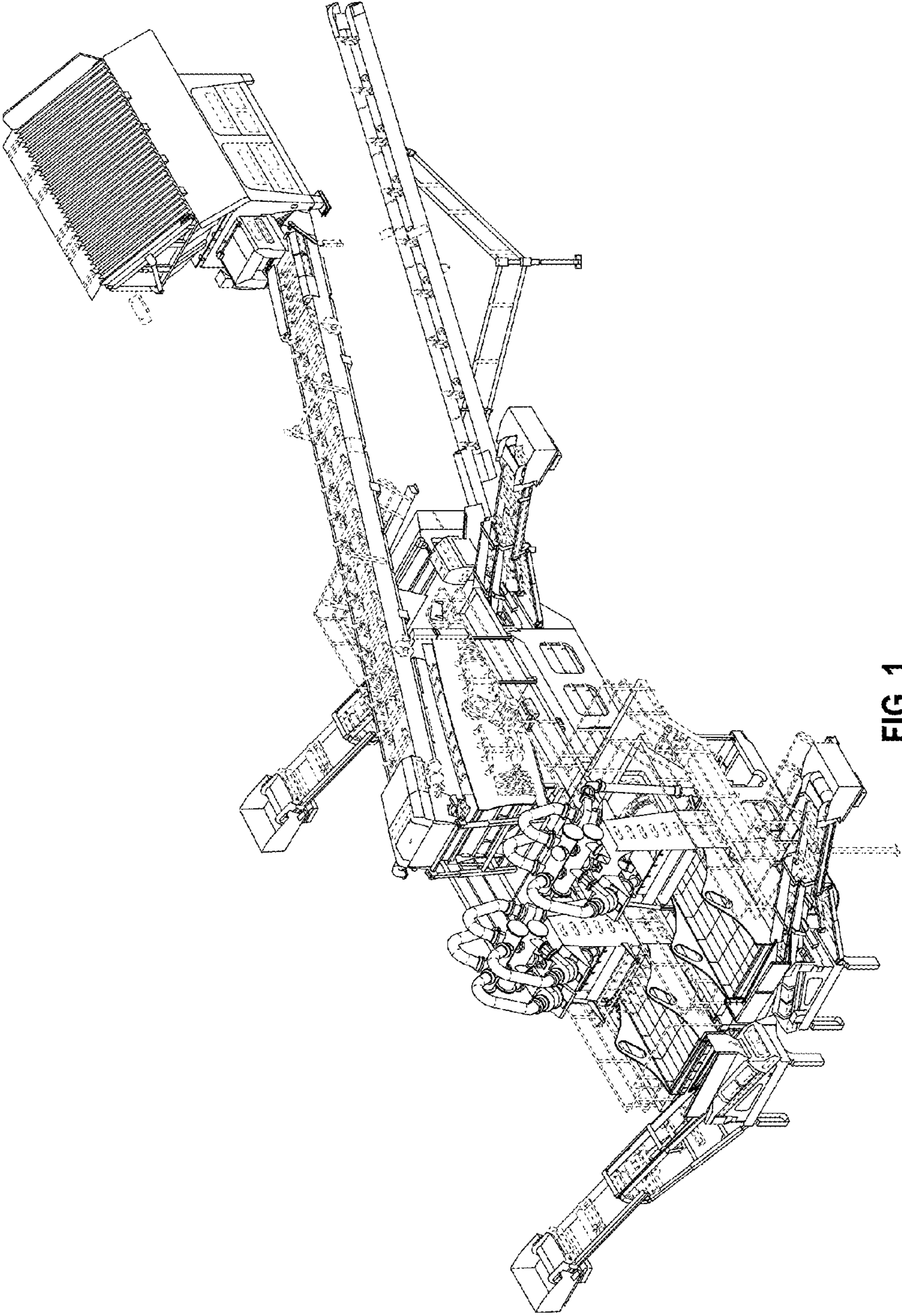


FIG. 1

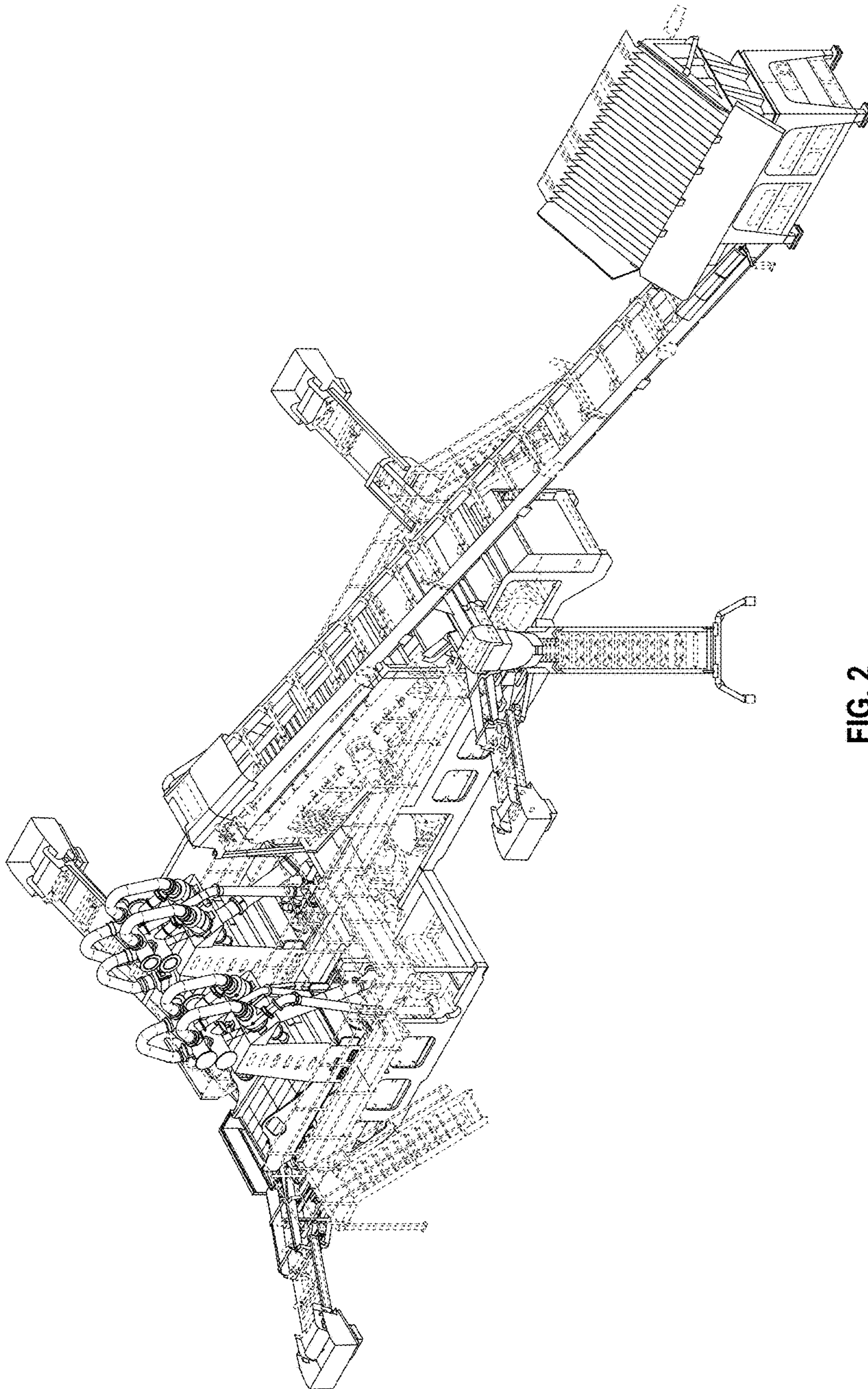


FIG. 2

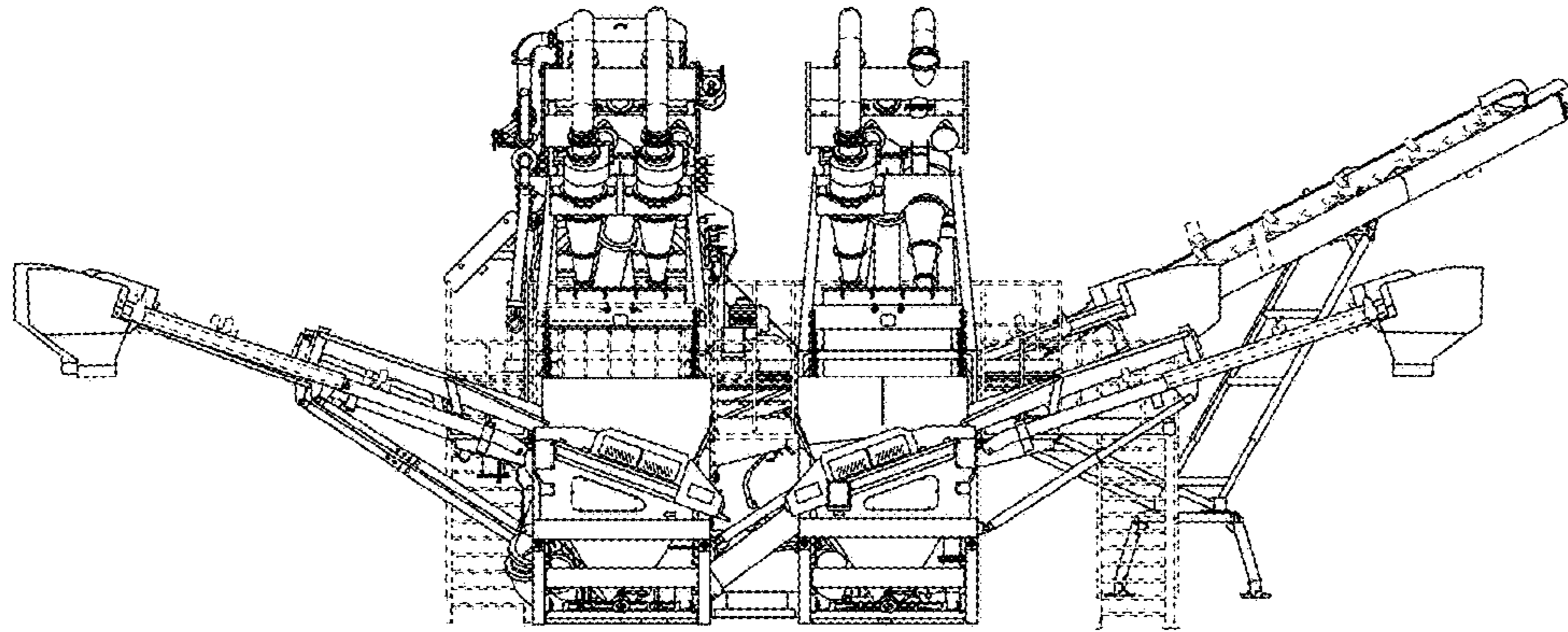


FIG. 3

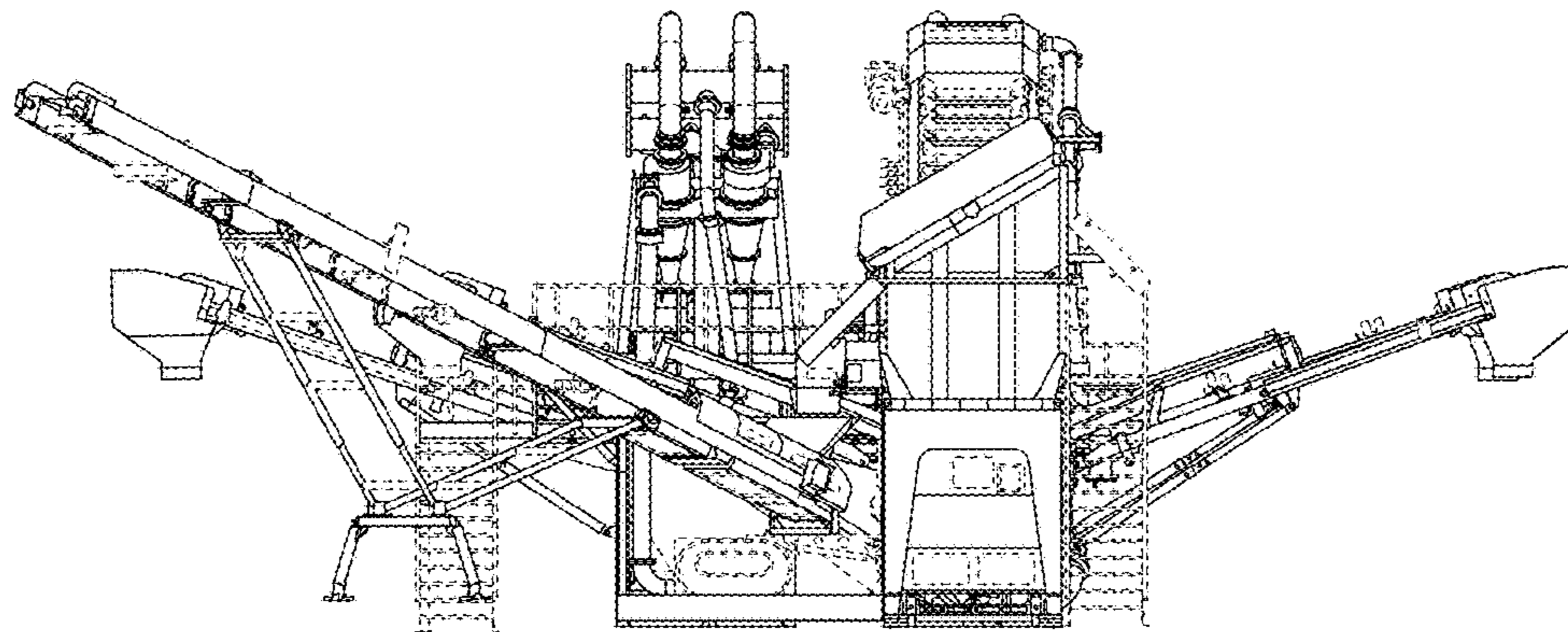


FIG. 4

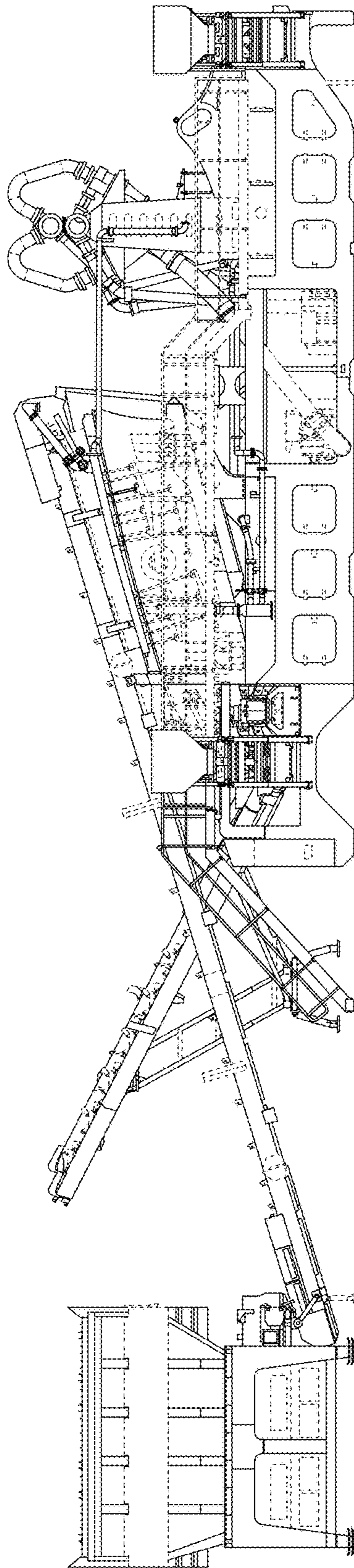


FIG. 5

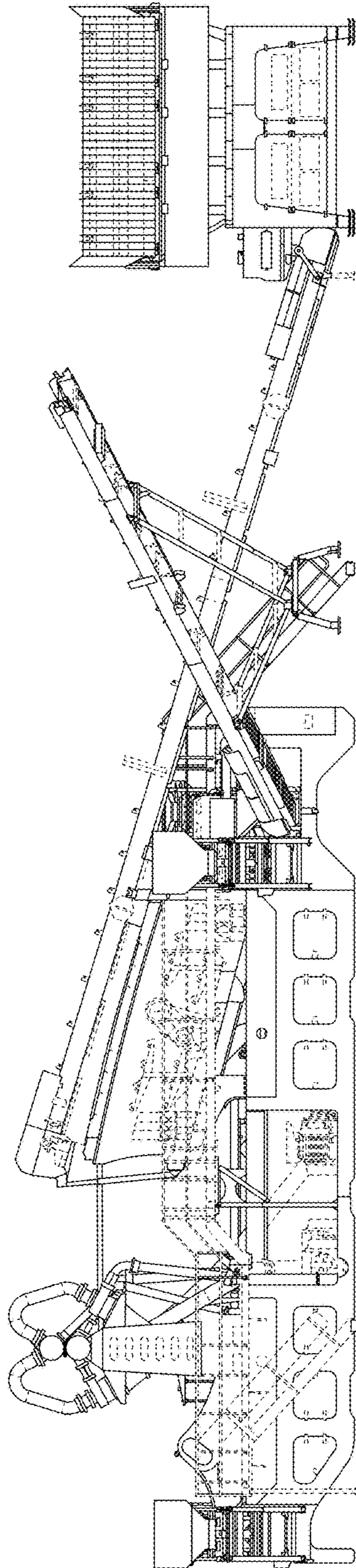


FIG. 6

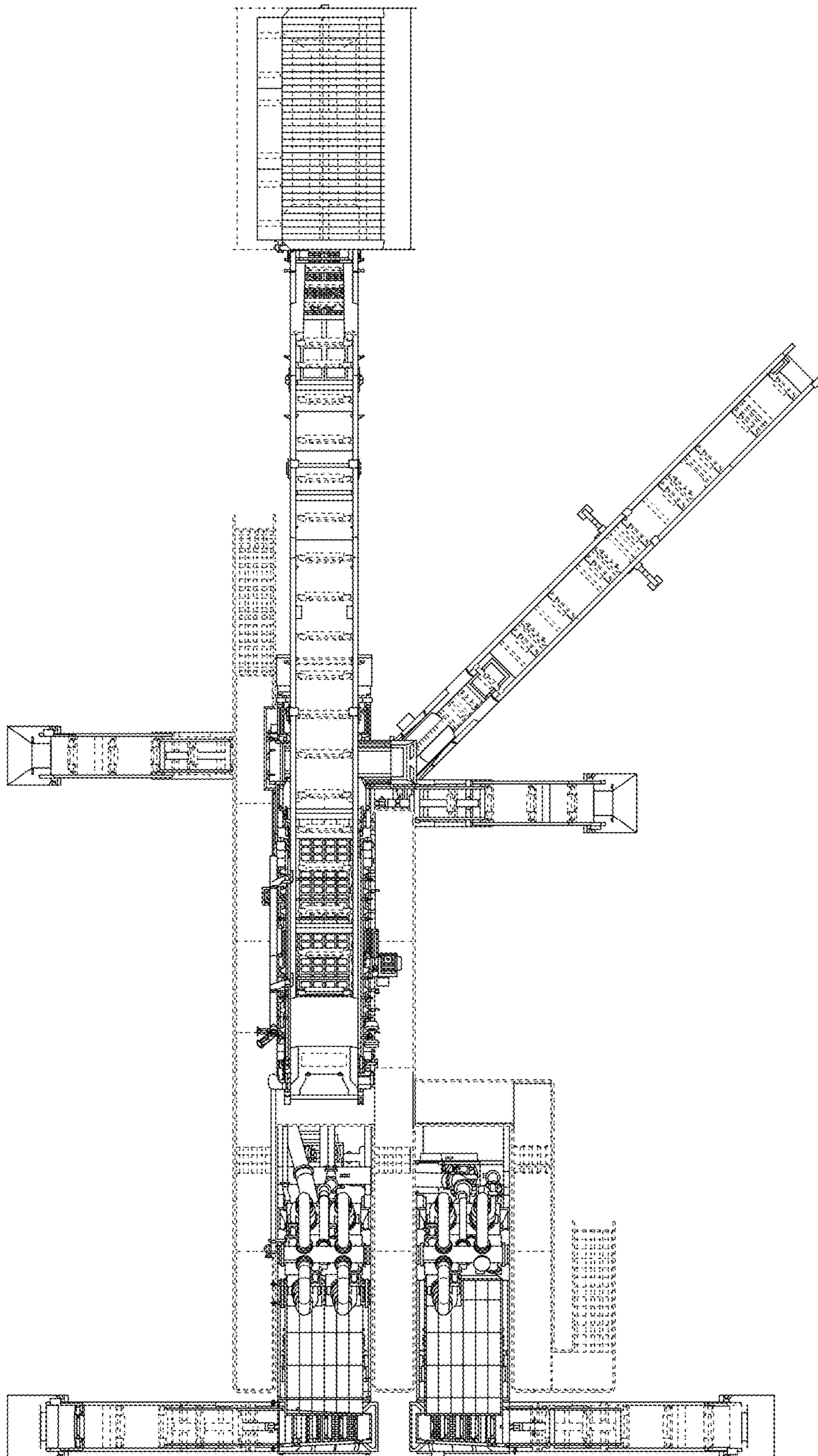


FIG. 7