



US00D826300S

(12) **United States Design Patent** (10) **Patent No.:** **US D826,300 S**
Michla et al. (45) **Date of Patent:** **** Aug. 21, 2018**

(54) **ROTABLY MOUNTED THERMAL PLASMA BURNER FOR THERMALSPRAYING**

(71) Applicant: **OERLIKON METCO AG, WOHLLEN, Wohlen (CH)**

(72) Inventors: **Alexander Michla, Hohentengen (DE); Martin Stockli, Boswil (CH)**

(**) Term: **15 Years**

(21) Appl. No.: **35/503,131**

(22) Filed: **Sep. 30, 2016**

(80) **Hague Agreement Data**

Int. Filing Date: **Sep. 30, 2016**

Int. Reg. No.: **DM/096241**

Int. Reg. Date: **Sep. 30, 2016**

Int. Reg. Pub. Date: **Jun. 9, 2017**

(51) **LOC (11) Cl.** **15-09**

(52) **U.S. Cl.**
 USPC **D15/144**
 CPC **B21D 31/00** (2013.01)

(58) **Field of Classification Search**
 USPC D15/122, 127, 138-141, 144-144.2;
 219/76, 121.47, 121.48, 121.51
 CPC B21D 31/00
 See application file for complete search history.

(56) **References Cited**

U.S. PATENT DOCUMENTS

- 4,345,744 A * 8/1982 Leibinger B23K 7/002
 266/49
 4,392,927 A * 7/1983 Fabian C25B 11/0478
 204/252
 4,423,546 A * 1/1984 Scott B21D 28/12
 483/29
 D275,016 S * 8/1984 Matsuo D15/127
 4,486,941 A * 12/1984 Scott B21D 28/12
 483/29

- 5,273,957 A * 12/1993 Schwarz C04B 35/4525
 427/446
 D490,450 S * 5/2004 Hayashi D15/122
 D505,963 S * 6/2005 Conway D15/139
 D519,135 S * 4/2006 Conway D15/139
 7,211,177 B2 * 5/2007 Gestermann C25B 11/0478
 204/290.08
 D571,383 S * 6/2008 Ota D15/138
 D571,831 S * 6/2008 Ota D15/138
 D571,832 S * 6/2008 Ota D15/138
 D571,833 S * 6/2008 Ota D15/138
 D572,733 S * 7/2008 Ota D15/138
 D582,949 S * 12/2008 Yamashita D15/138
 D583,394 S * 12/2008 Ota D15/138
 D583,395 S * 12/2008 Ueda D15/138
 D593,585 S * 6/2009 Ota D15/138
 D594,485 S * 6/2009 Ota D15/138
 7,578,451 B2 * 8/2009 Mueller B05B 7/20
 219/121.47
 7,892,609 B2 * 2/2011 Mueller C23C 4/12
 219/76.12
 D645,486 S * 9/2011 Yoshikawa D15/138
 D658,691 S * 5/2012 Suzuki D15/138
 D658,692 S * 5/2012 Suzuki D15/138
 D658,693 S * 5/2012 Suzuki D15/138
 D672,377 S * 12/2012 Yoshikawa D15/138

(Continued)

Primary Examiner — Richard E Chilcot

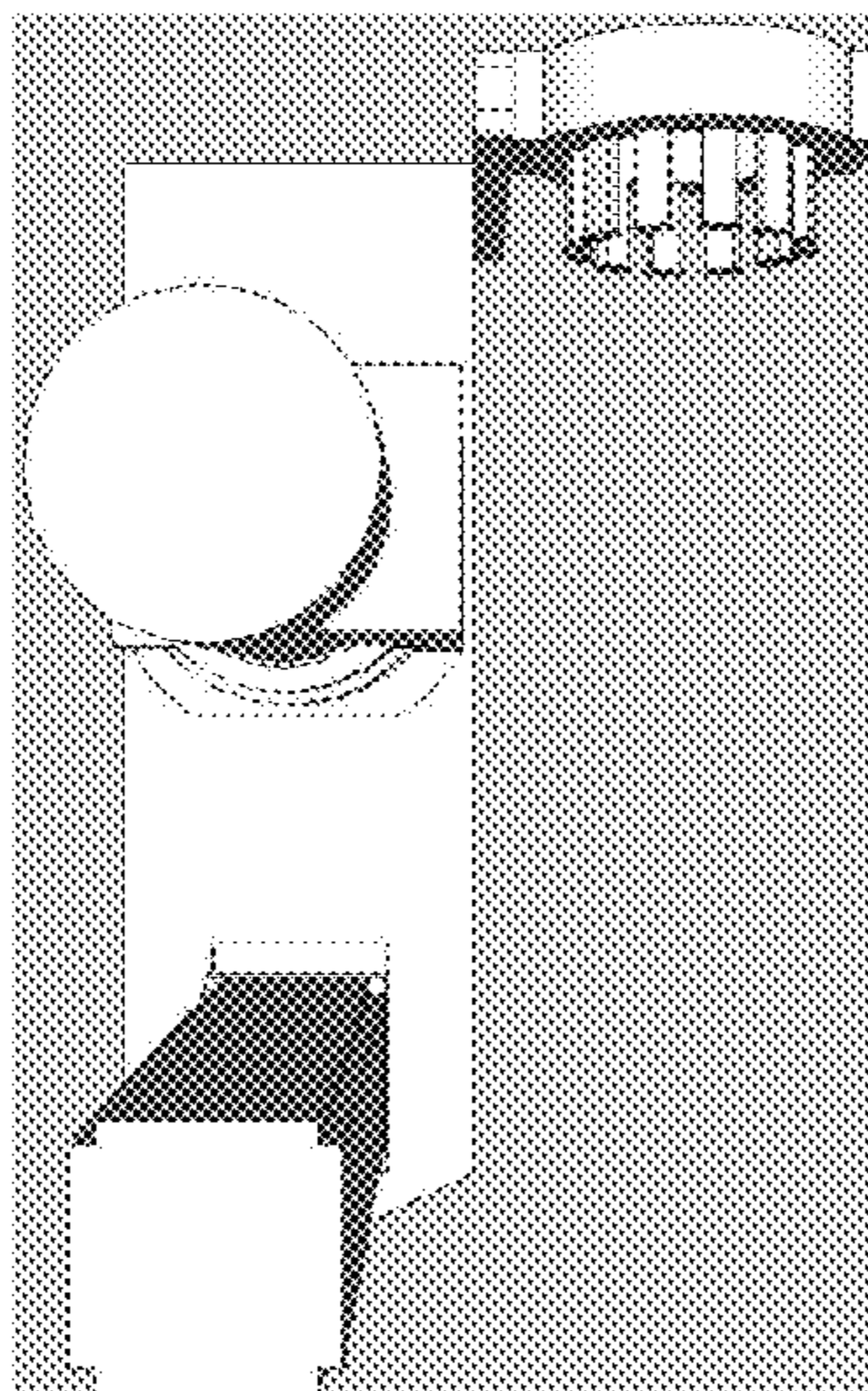
(57) **CLAIM**

The ornamental design for a rotably mounted thermal plasma burner for thermal spraying, as shown and described.

DESCRIPTION

1. Rotably mounted thermal plasma burner for thermal spraying
 1.1 : Top
 1.2 : Perspective
 1.3 : Front
 1.4 : Right
 1.5 : Back
 1.6 : Left
 1.7 : Bottom

1 Claim, 7 Drawing Sheets



(56)

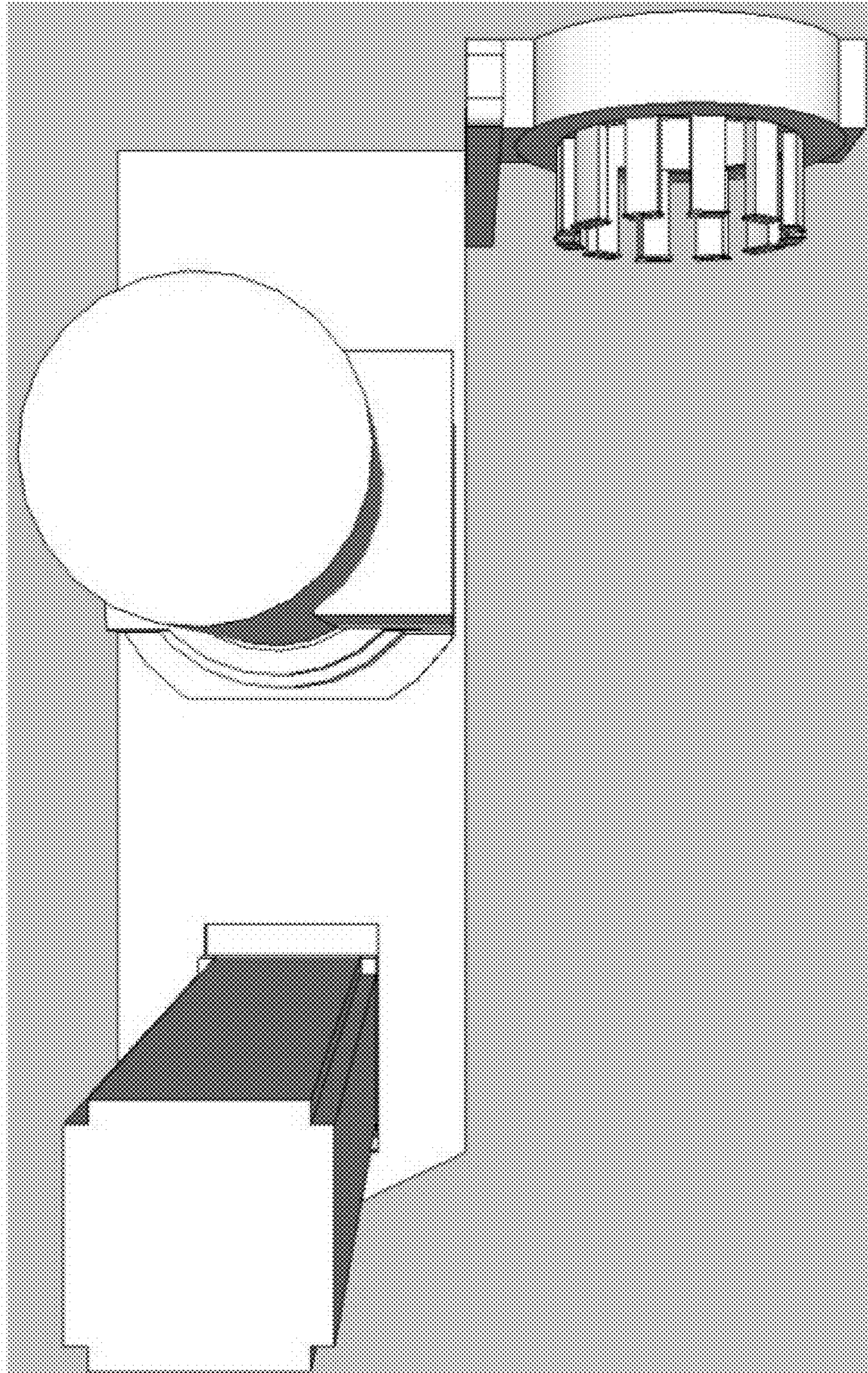
References Cited

U.S. PATENT DOCUMENTS

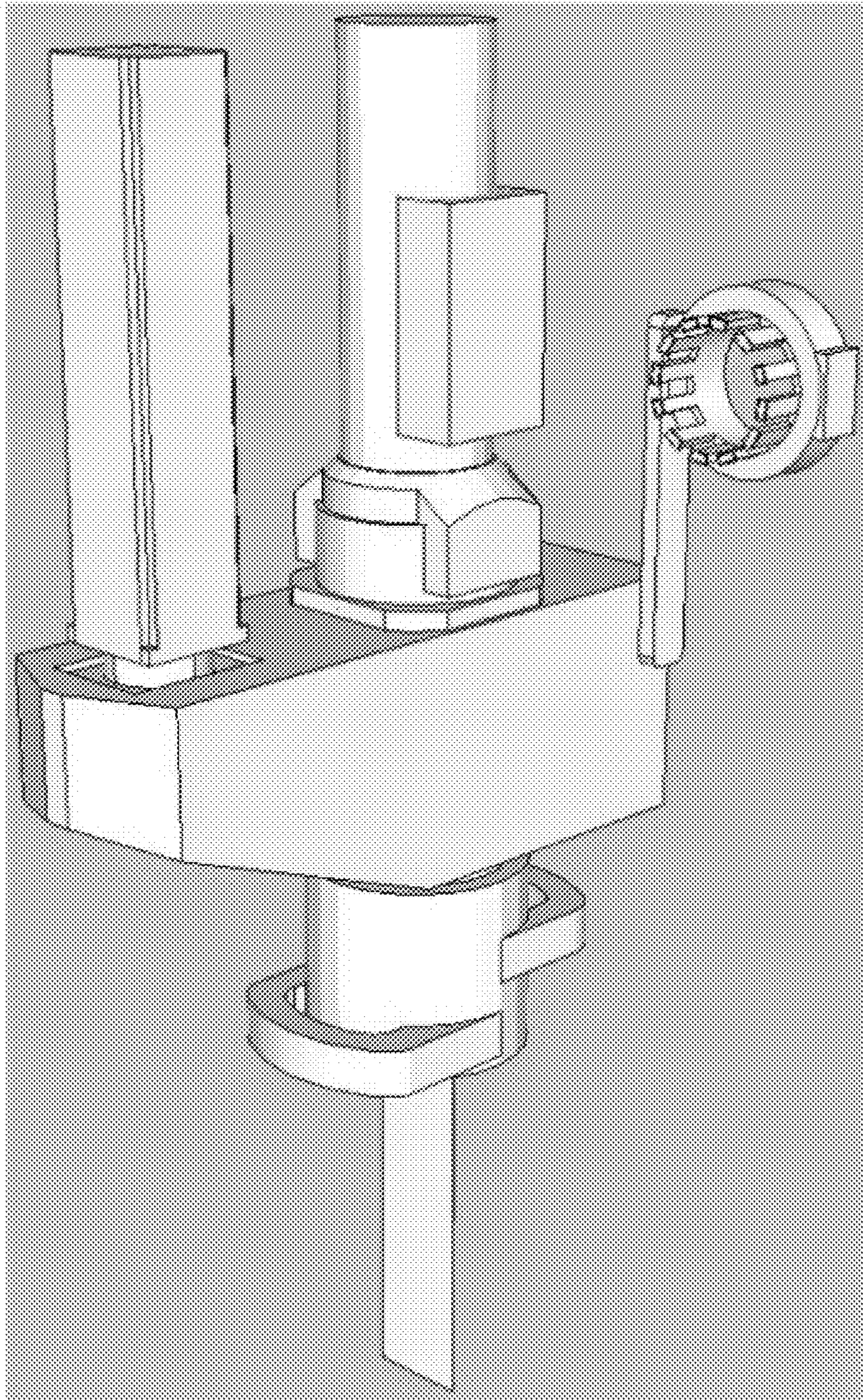
D694,790	S	*	12/2013	Matsumoto	D15/138
D694,791	S	*	12/2013	Matsumoto	D15/138
8,871,010	B2	*	10/2014	Gindrat	C23C 4/105 427/446
D721,110	S	*	1/2015	Savill, Jr.	D15/144
D721,749	S	*	1/2015	Savill, Jr.	D15/144
D775,249	S	*	12/2016	Furujo	D15/144
D776,177	S	*	1/2017	Namburu	D15/144
D776,730	S	*	1/2017	Yamaguchi	D15/144
D776,731	S	*	1/2017	Yamaguchi	D15/144
D777,812	S	*	1/2017	Namburu	D15/144
D784,432	S	*	4/2017	Yamaguchi	D15/144
D796,562	S	*	9/2017	Iu	D15/138
D802,034	S	*	11/2017	Yamaguchi	D15/144
D804,436	S	*	12/2017	Tauchi	D13/182
D812,578	S	*	3/2018	Uemura	D13/182

* cited by examiner

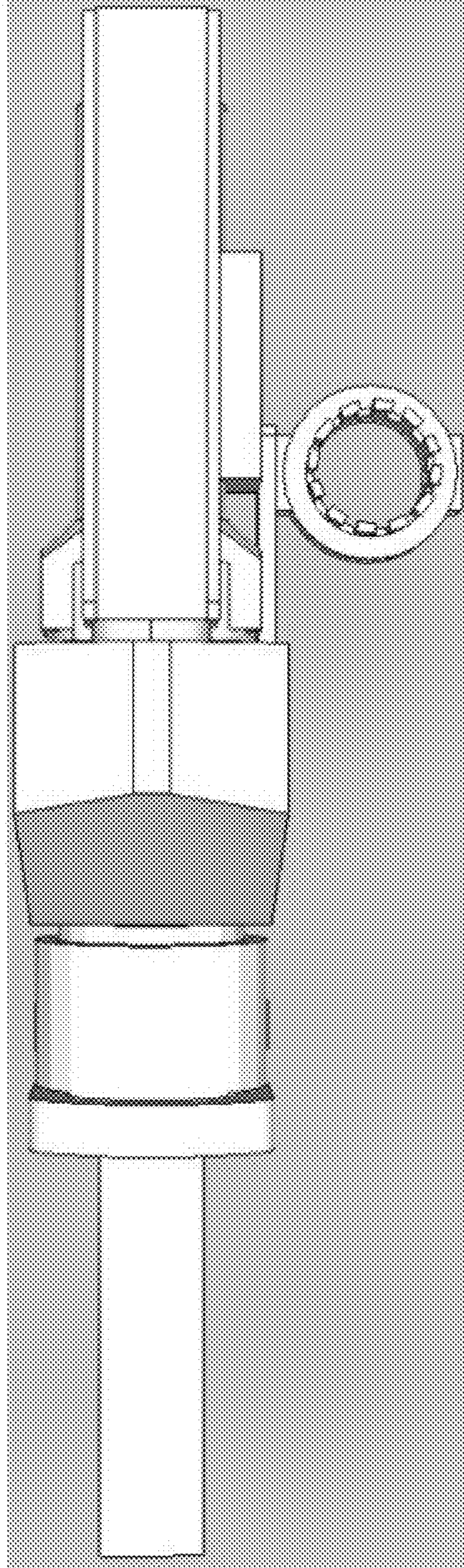
1.1



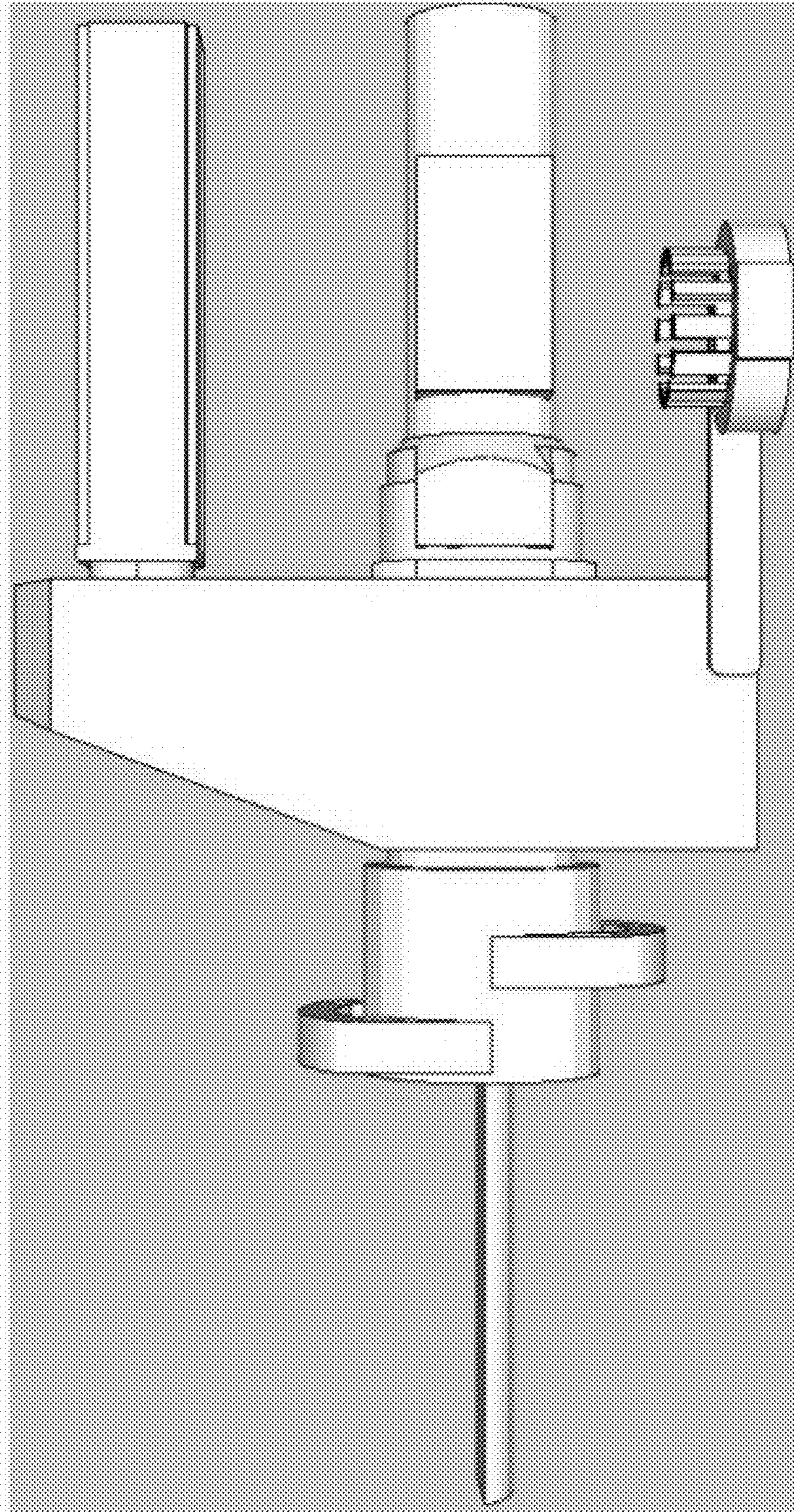
1.2



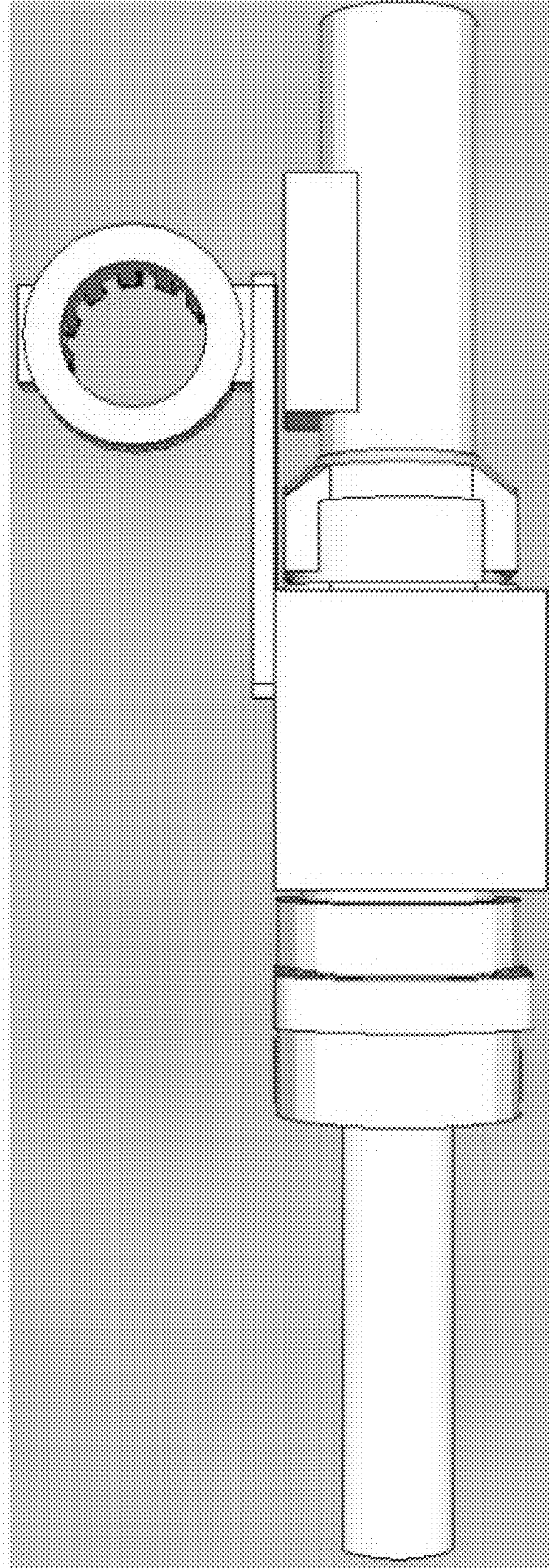
1.3



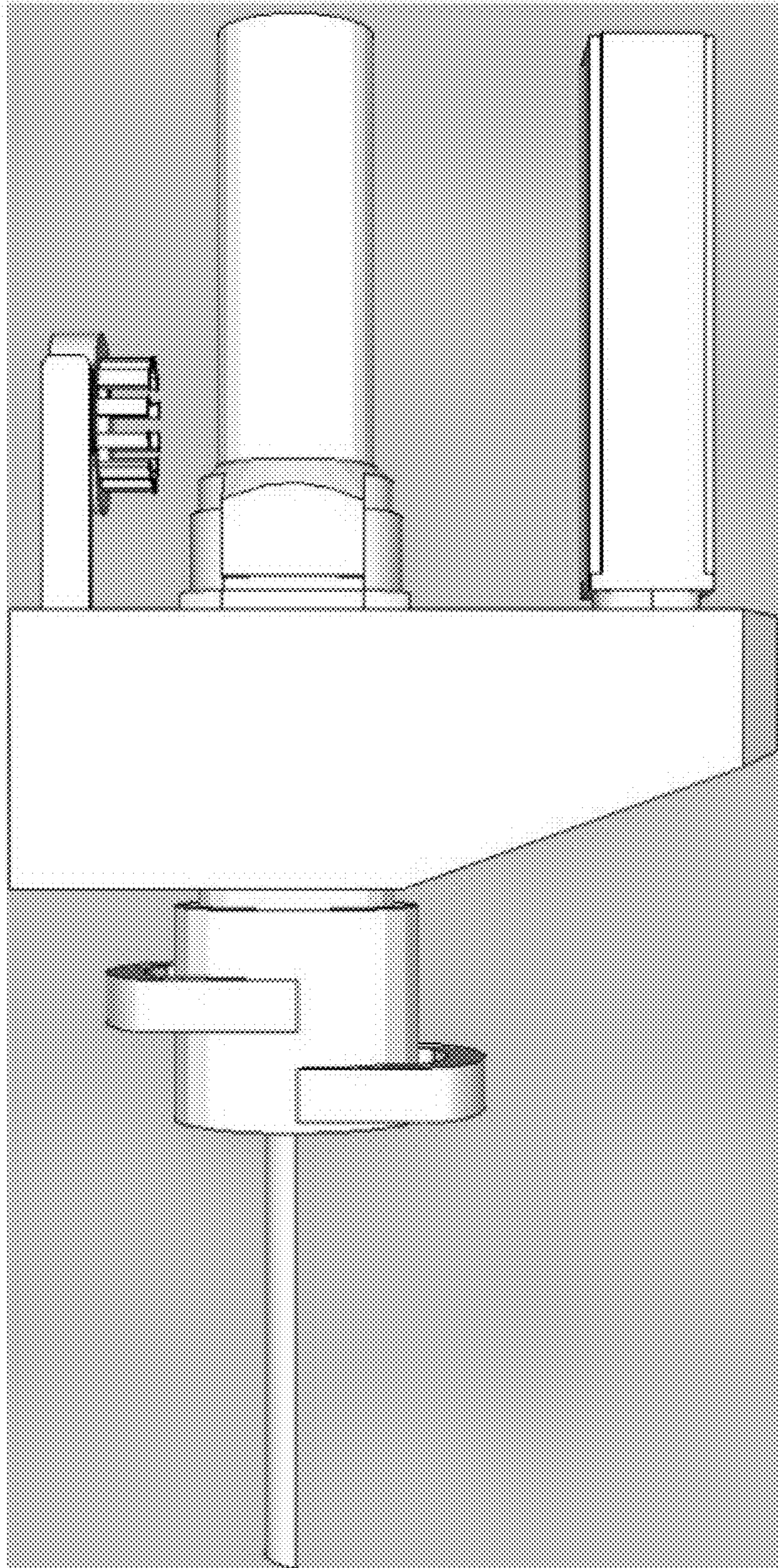
1.4



1.5



1.6



1.7

