



US00D826298S

(12) **United States Design Patent** (10) **Patent No.:** **US D826,298 S**
Naksen et al. (45) **Date of Patent:** **** Aug. 21, 2018**

(54) **BELT SANDER**

(71) Applicant: **INGERSOLL-RAND COMPANY**,
Davidson, NC (US)

(72) Inventors: **Dennis Naksen**, Summit, NJ (US);
Scott D. Price, Lebanon, NJ (US);
Joshua O. Johnson, Allentown, PA
(US)

(73) Assignee: **Ingersoll-Rand Company**, Davidson,
NC (US)

(**) Term: **15 Years**

(21) Appl. No.: **29/572,994**

(22) Filed: **Aug. 2, 2016**

(51) **LOC (11) Cl.** **15-03**

(52) **U.S. Cl.**
USPC **D15/125**

(58) **Field of Classification Search**
USPC D8/61, 62, 68; D15/124, 125
CPC . H01L 2924/00014; H01L 2224/05624; H01L
2224/05647; H01L 2224/05655; H01L
2224/131; H01L 2224/13111; H01L
2924/00012; H01L 2224/05187; H01L
2924/00; H01L 2924/014; H01L
2224/0231; H01L 2224/0237; H01L
2224/0345; H01L 2224/03602; H01L
2224/03614; H01L 2224/05026; H01L
2224/05124; H01L 2224/05139; H01L
2224/05147; H01L 2224/05166; H01L
2224/05181; H01L 2224/05184; H01L
2224/05571; H01L 2224/05639; H01L
2224/05664; H01L 2224/1145; H01L
2224/11462; H01L 2224/13109; H01L
2224/13147; H01L 2224/81424; H01L
2224/81447; H01L 2224/81455; H01L
2224/81464; H01L 2924/0002; H01L
2924/12042; H01L 21/3212; H01L
2224/0401; H01L 2224/45099

See application file for complete search history.

(56) **References Cited**

U.S. PATENT DOCUMENTS

D305,029	S	*	12/1989	Fuchs	D15/124
D338,382	S	*	8/1993	Fukuda	D8/62
D351,544	S	*	10/1994	Izumisawa	D8/62
D351,545	S	*	10/1994	Izumisawa	D8/62
D355,201	S	*	2/1995	Brickner, Jr.	D15/125
D384,870	S	*	10/1997	Yamaguchi	D8/62
D387,361	S	*	12/1997	Casanova	D15/125
D491,782	S	*	6/2004	Chiba	D8/62
D570,173	S	*	6/2008	O'Hern	D8/62
D570,661	S	*	6/2008	O'Hern	D8/62

(Continued)

Primary Examiner — Mitchell I. Siegel

Assistant Examiner — Khawaja Anwar

(74) *Attorney, Agent, or Firm* — Barnes & Thornburg
LLP

(57) **CLAIM**

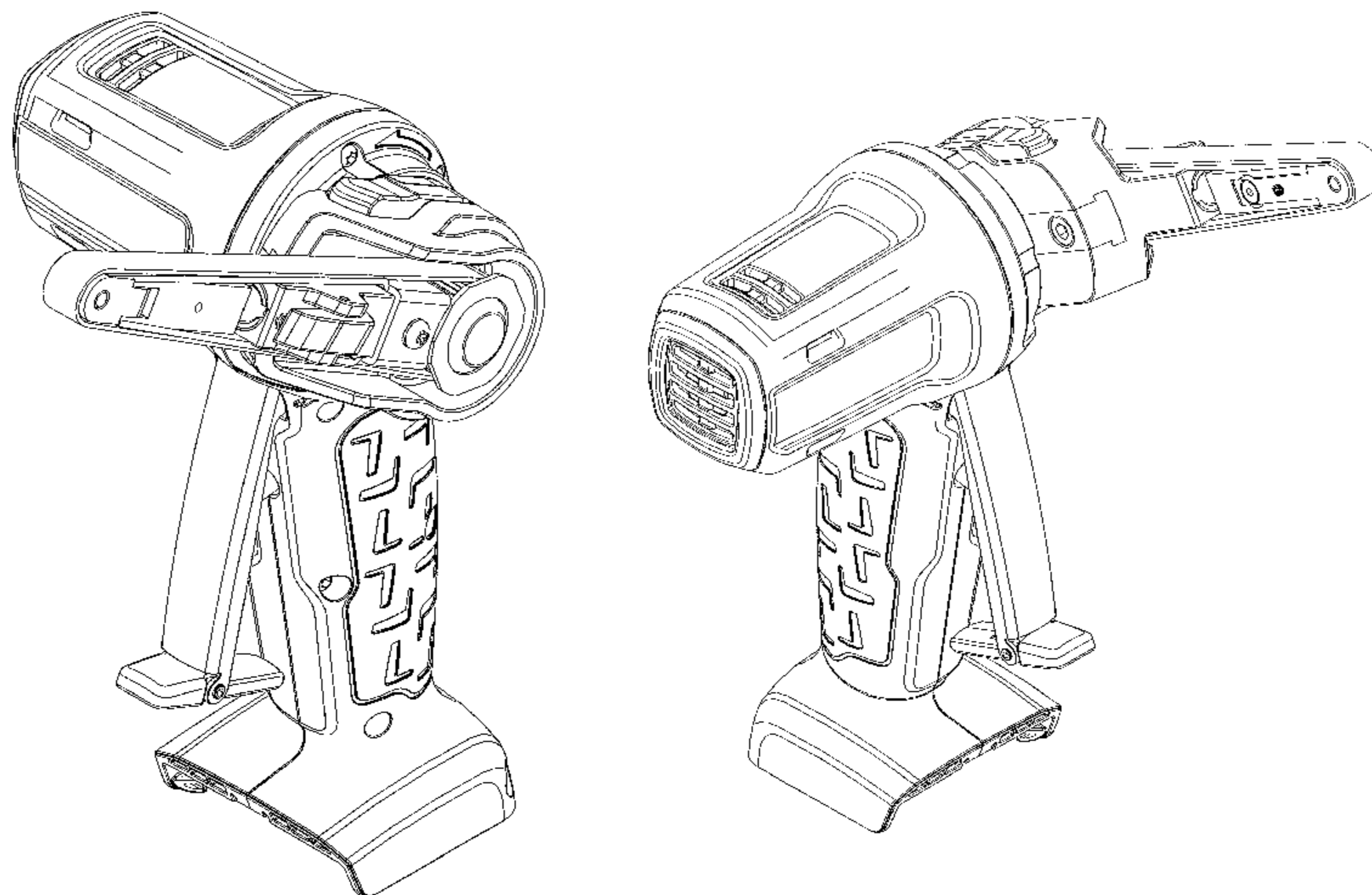
The ornamental design for a belt sander, as shown and described.

DESCRIPTION

FIG. 1 is a front and side perspective view of a belt sander showing our new design;
FIG. 2 is a front and opposite perspective view thereof;
FIG. 3 is a rear and side perspective view thereof;
FIG. 4 is a rear and opposite side perspective view thereof;
FIG. 5 is a front elevation view thereof;
FIG. 6 is a side elevation view thereof;
FIG. 7 is an opposite side elevation view thereof;
FIG. 8 is a rear elevation view thereof;
FIG. 9 is a top plan view thereof; and,
FIG. 10 is bottom plan view thereof.

Any broken lines shown in the figures depict environmental subject matter that forms no part of the claimed design.

1 Claim, 10 Drawing Sheets



(56)

References Cited

U.S. PATENT DOCUMENTS

D574,686 S * 8/2008 Waldron D8/62
D625,742 S * 10/2010 Jebb D15/125
D626,154 S * 10/2010 Jebb D15/125

* cited by examiner

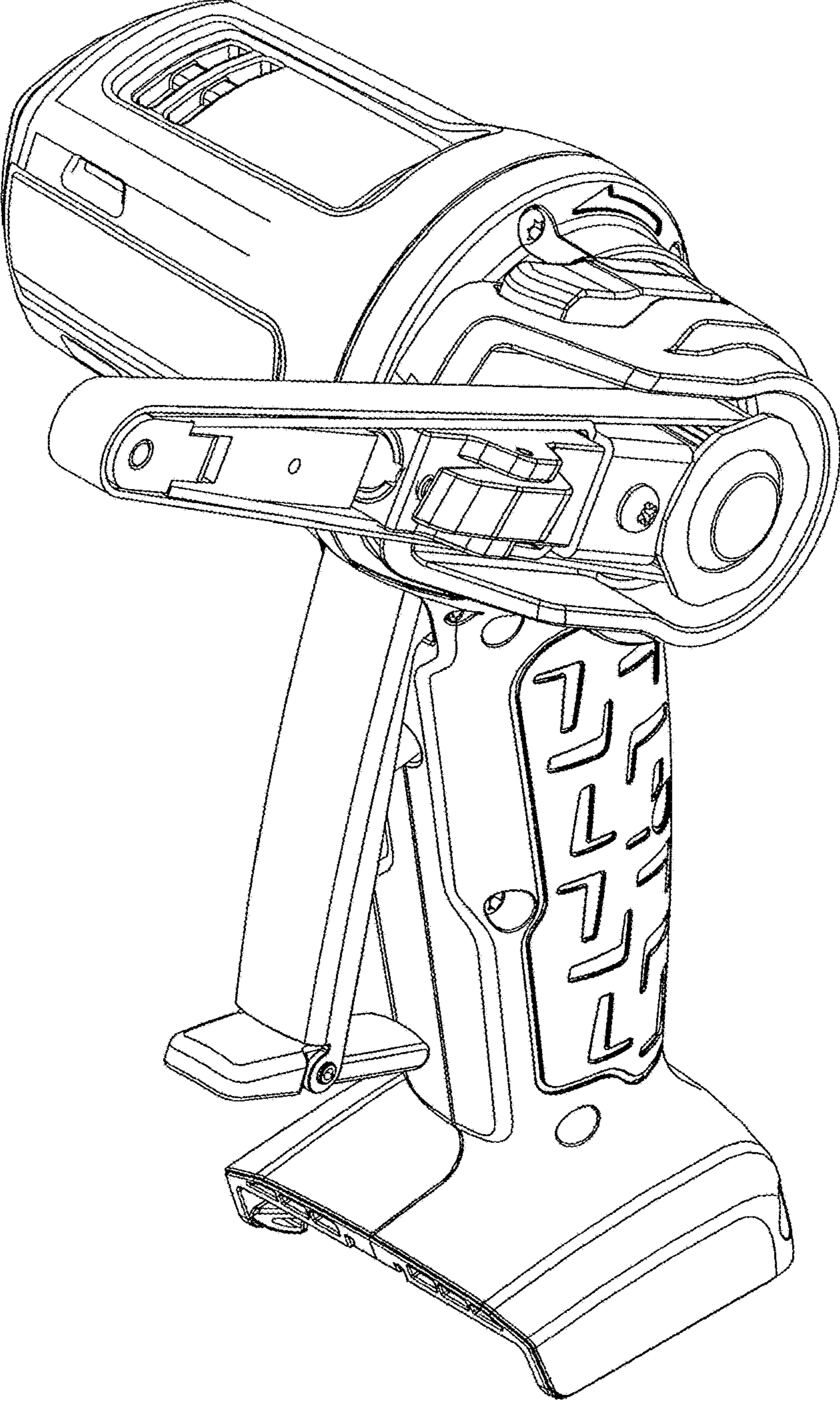


FIG. 1

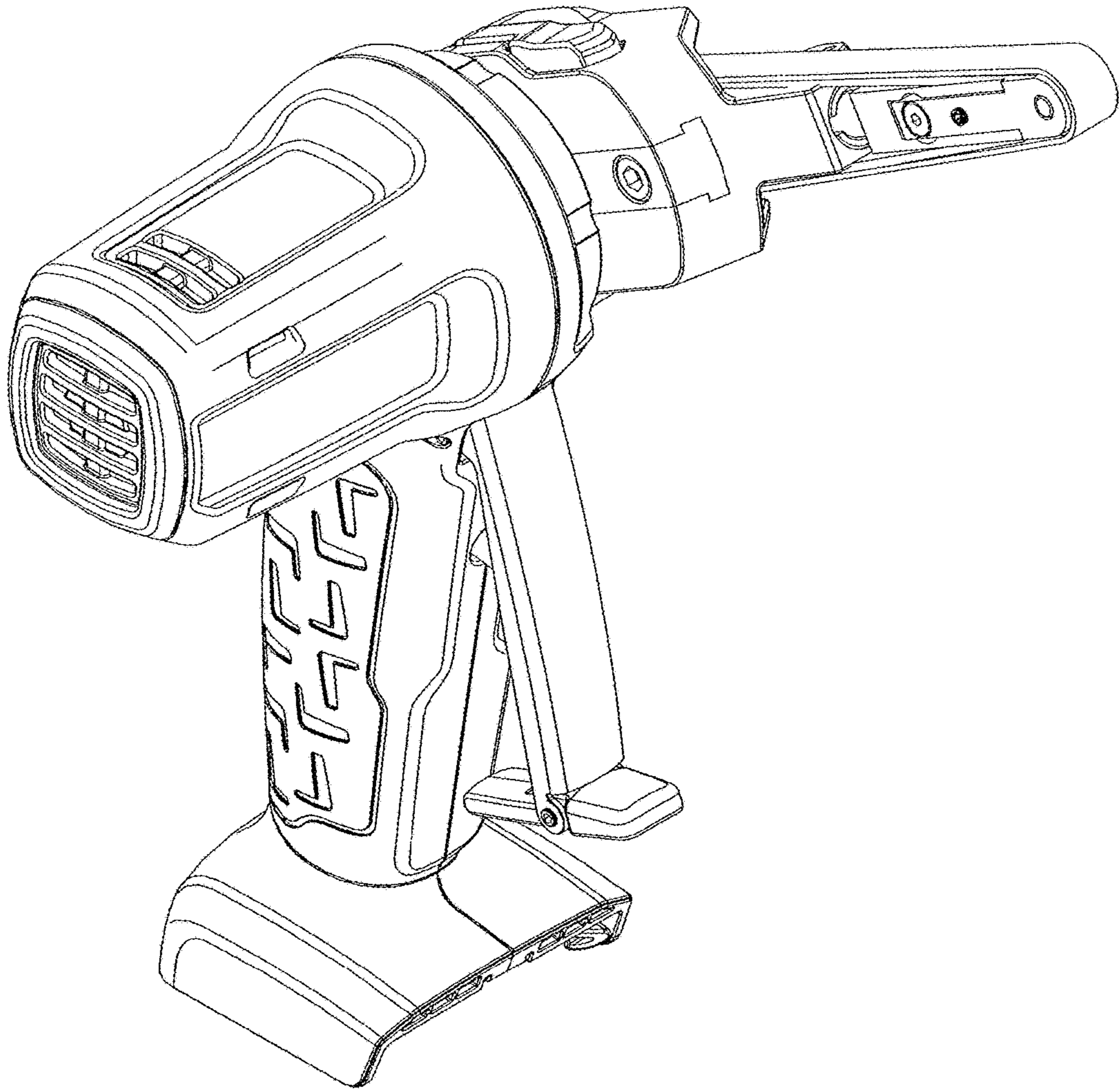


FIG. 2

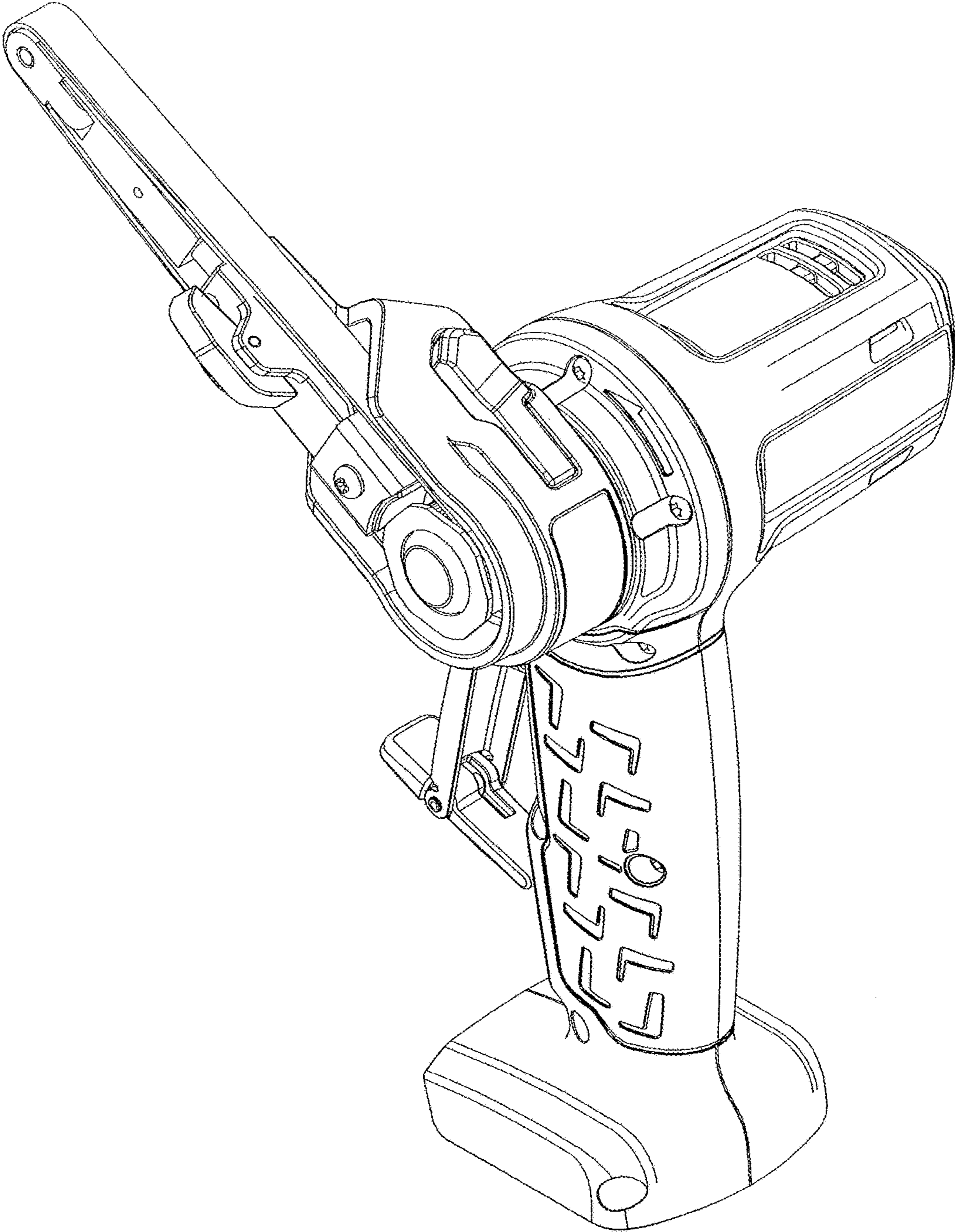


FIG. 3

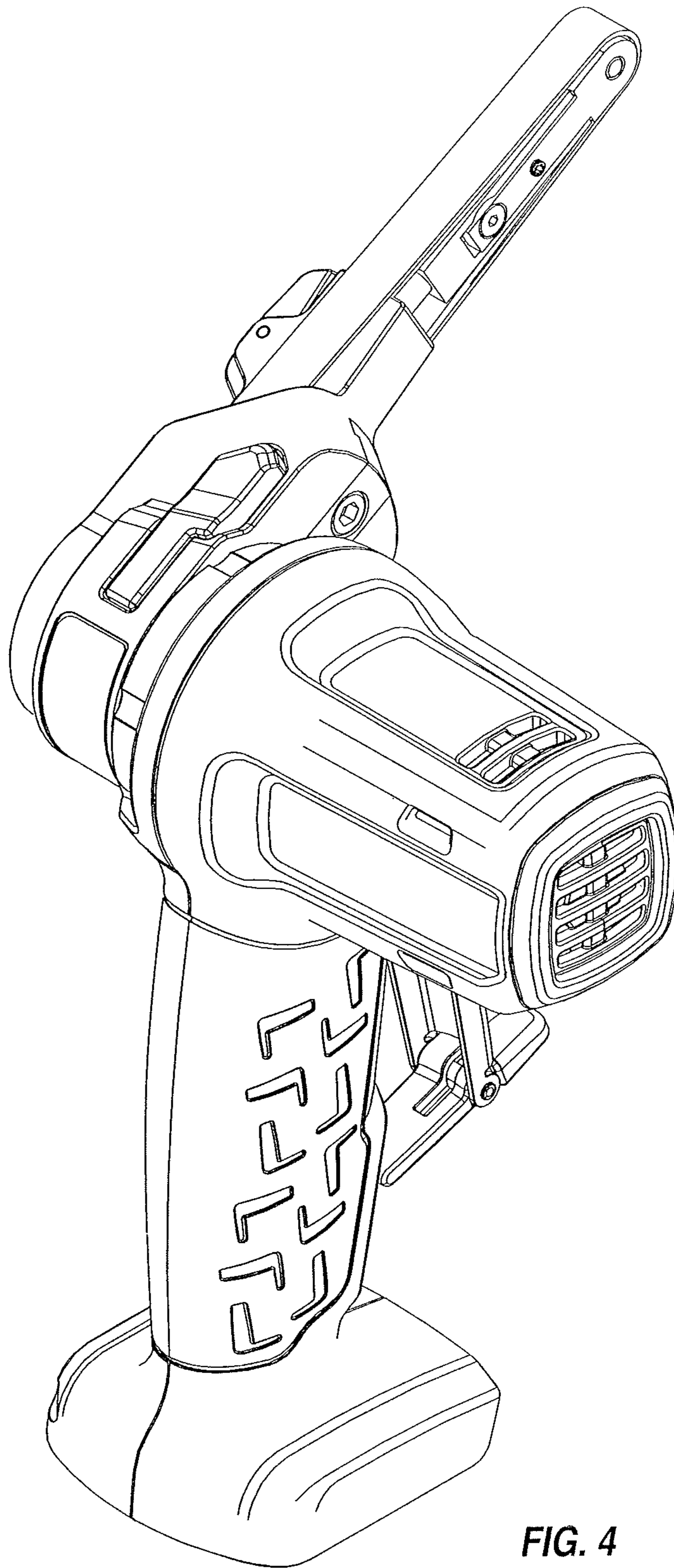


FIG. 4

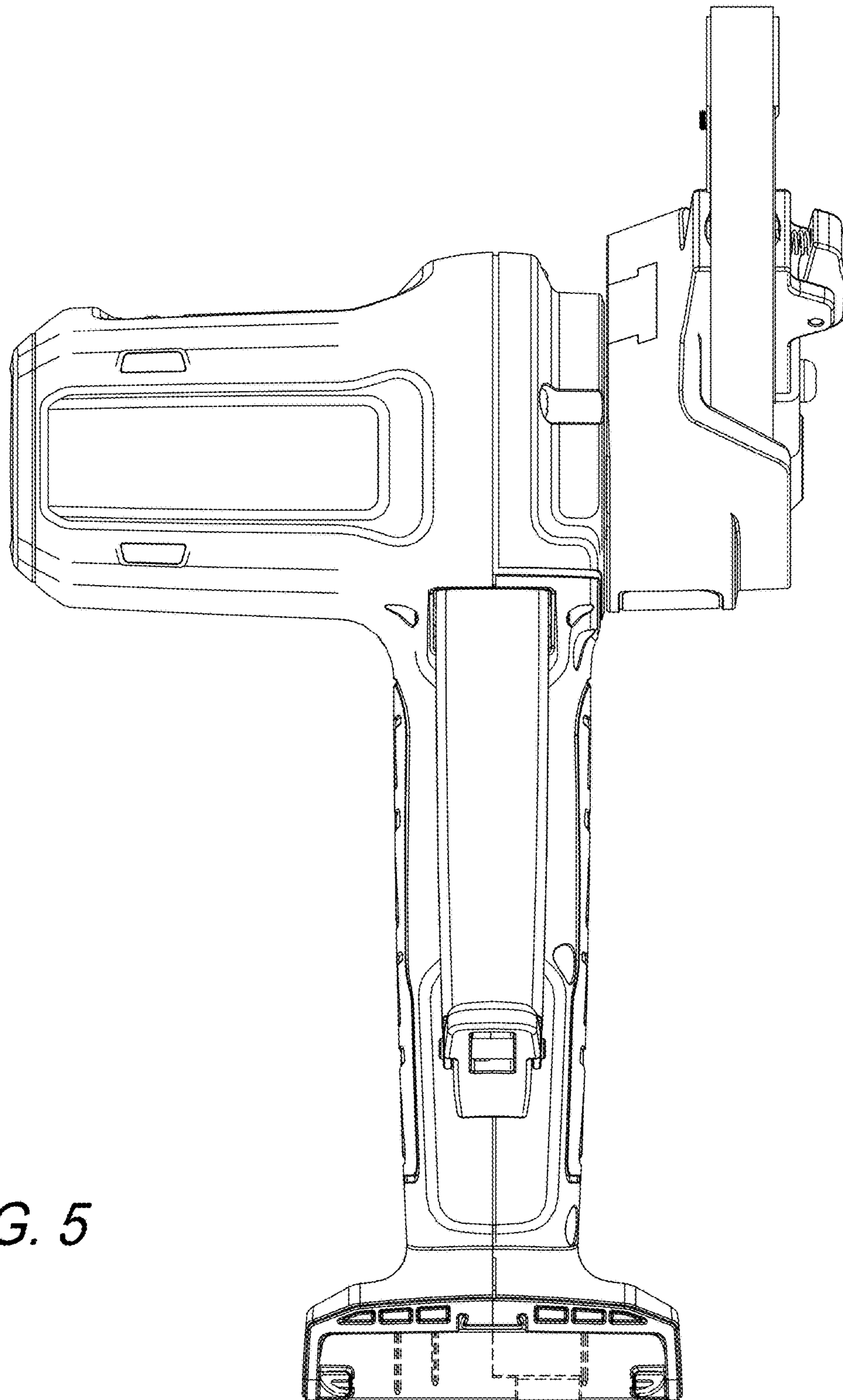


FIG. 5

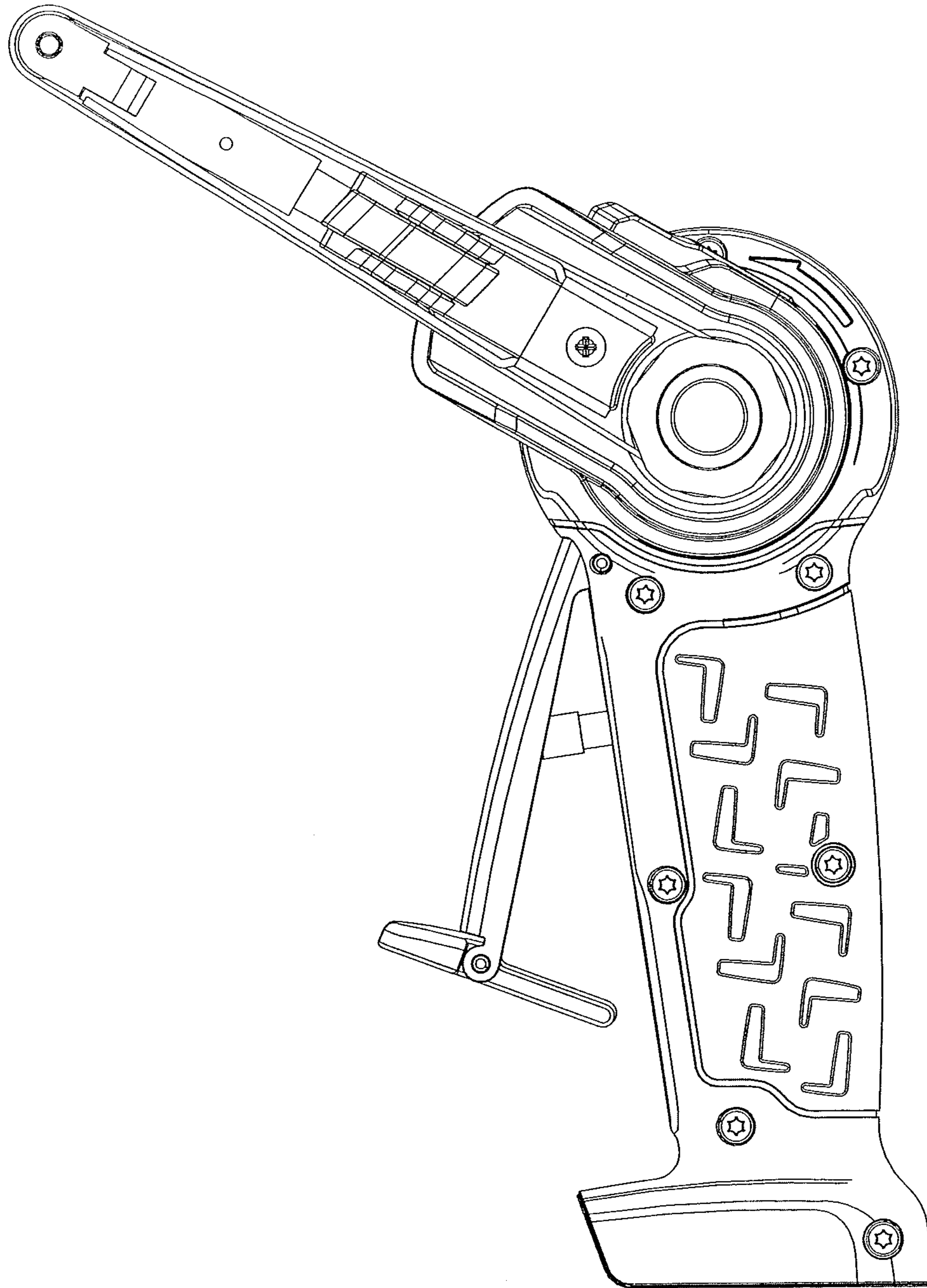


FIG. 6

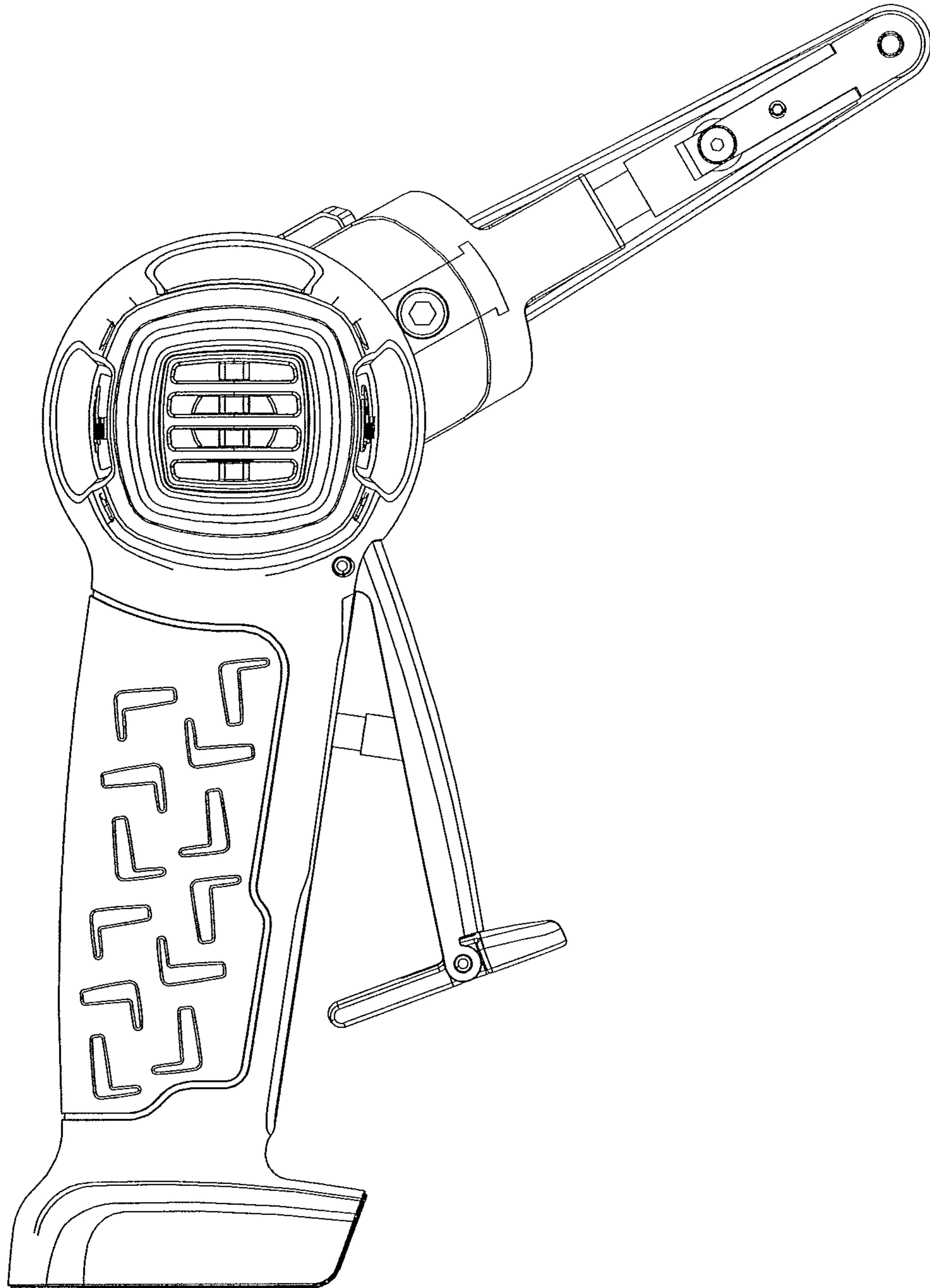


FIG. 7

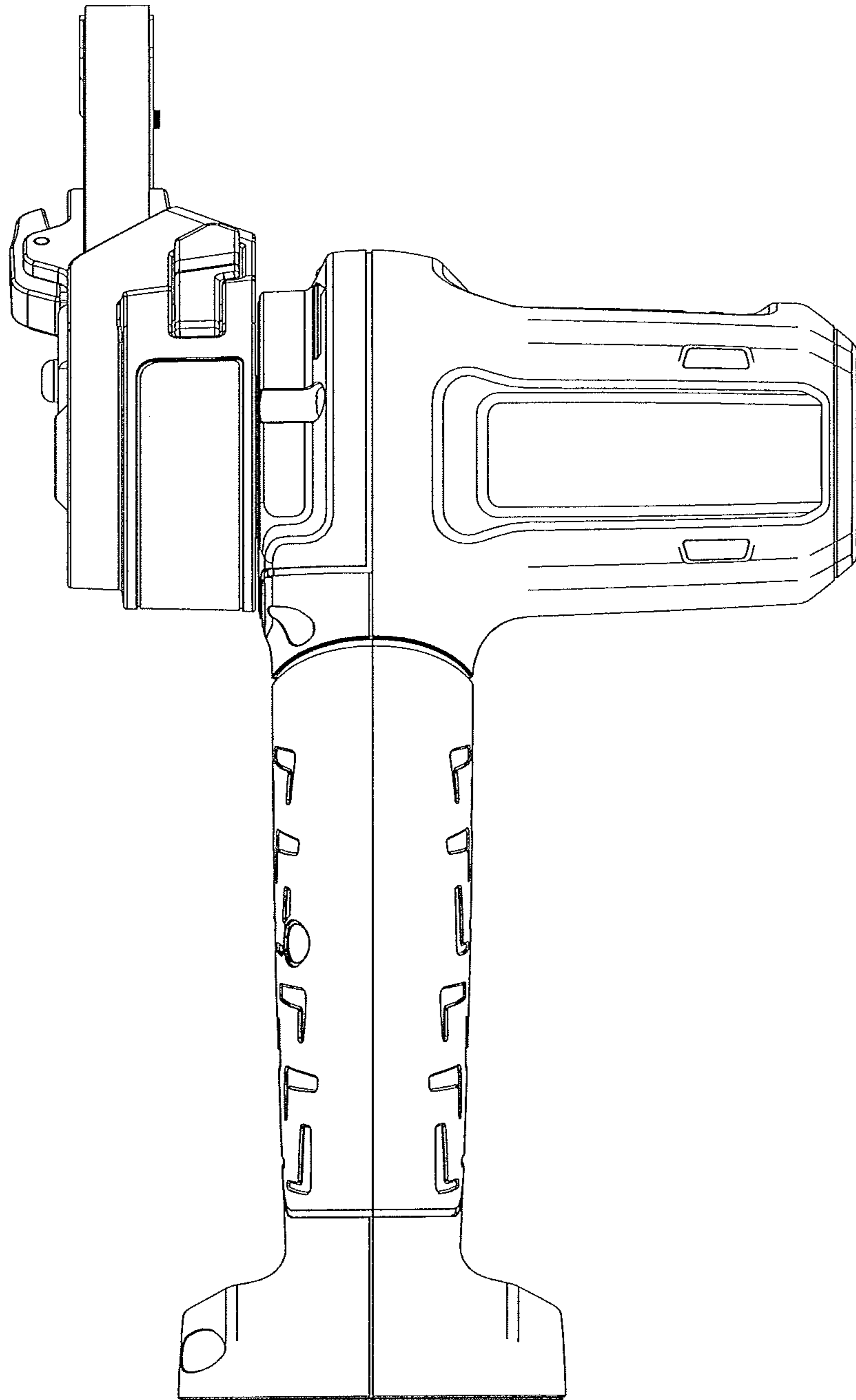


FIG. 8

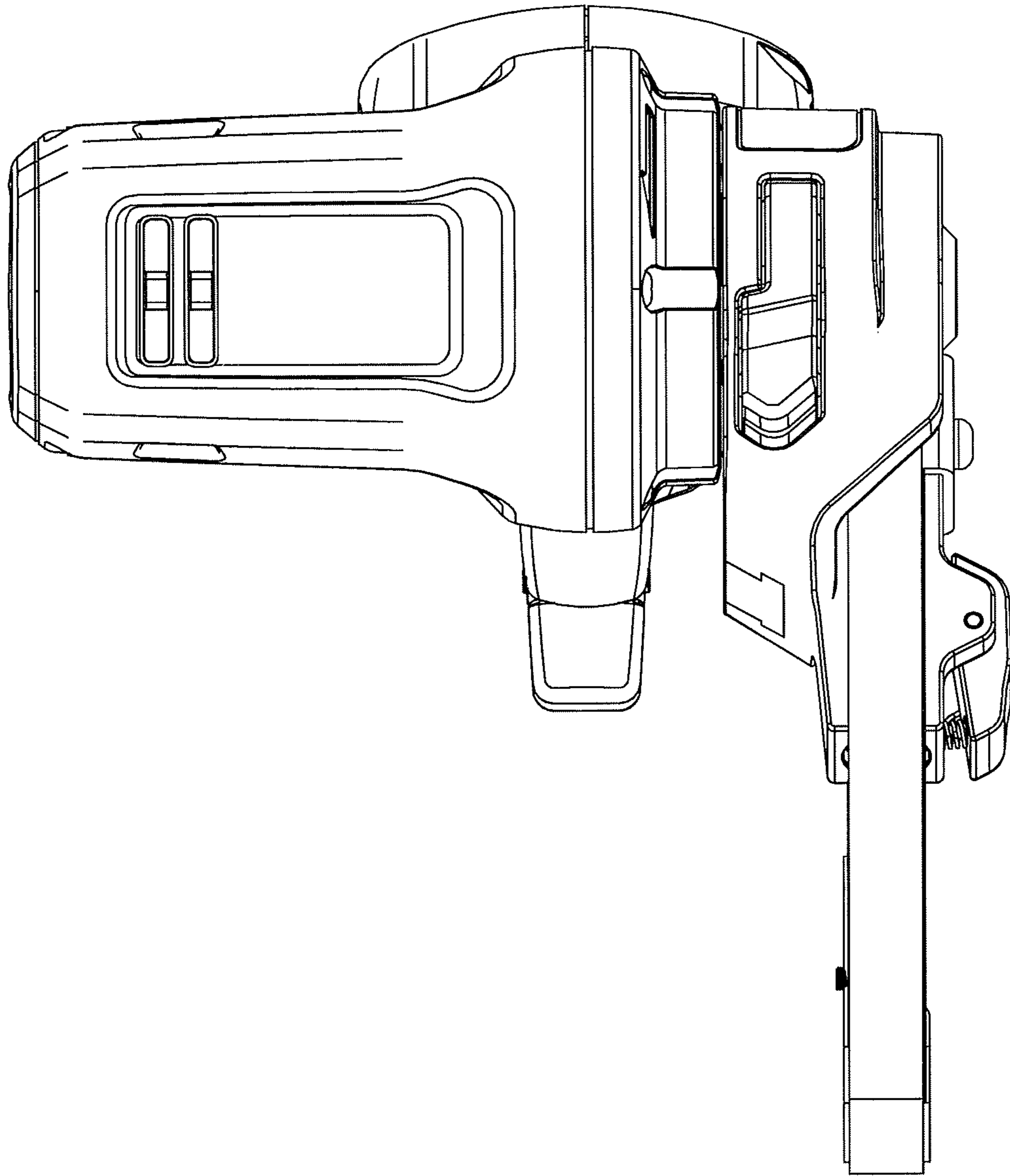


FIG. 9

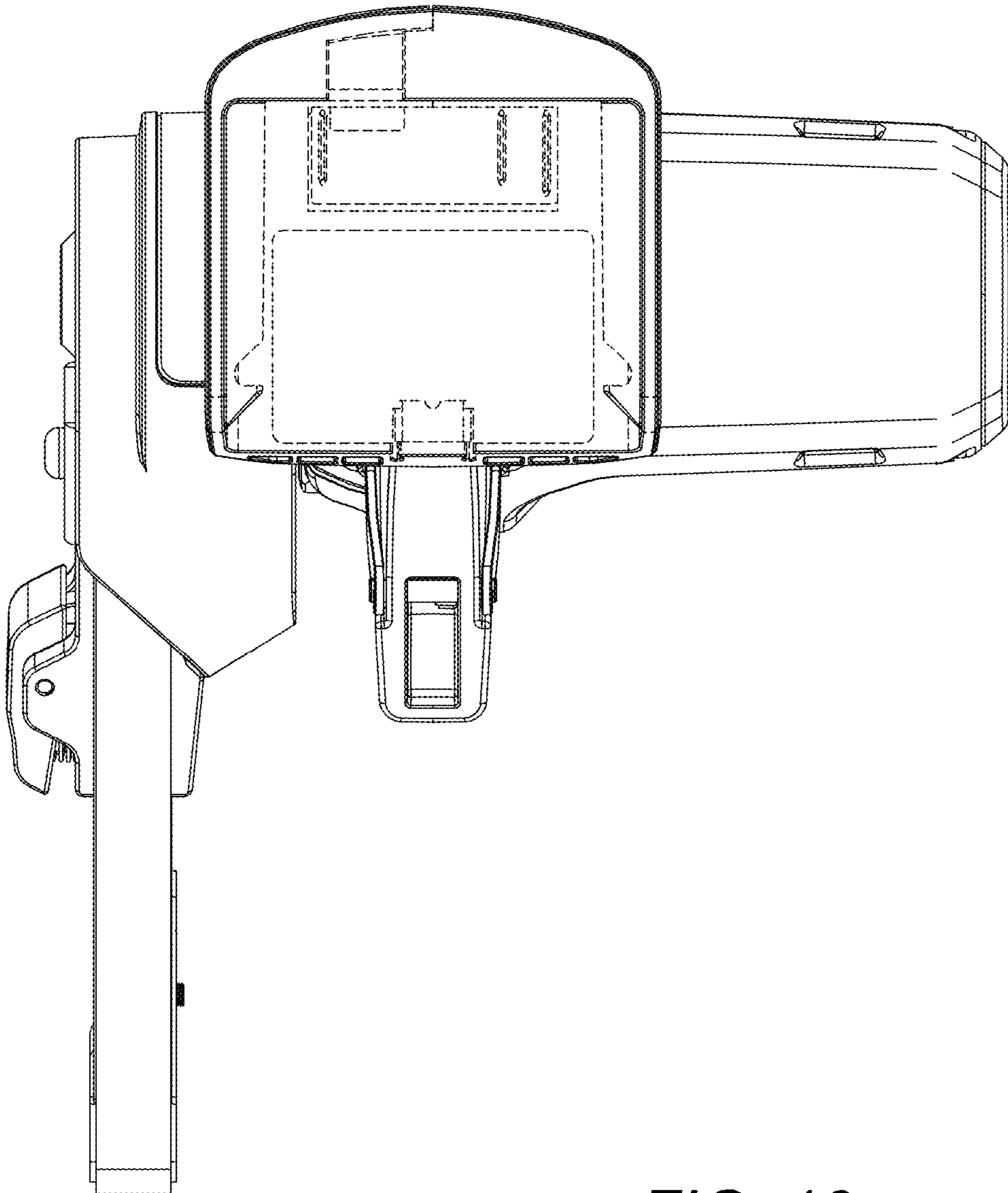


FIG. 10