



US00D826296S

(12) **United States Design Patent** (10) **Patent No.:** **US D826,296 S**
Noorazar et al. (45) **Date of Patent:** **** Aug. 21, 2018**

(54) **PRINTER FOR PRINTING
THREE-DIMENSIONAL OBJECTS**

(71) Applicant: **INNOSUN LLC**, San Diego, CA (US)

(72) Inventors: **Sina Noorazar**, San Diego, CA (US);
Aria Noorazar, San Diego, CA (US)

(73) Assignee: **INNOSUN LLC**, San Diego, CA (US)

(**) Term: **15 Years**

(21) Appl. No.: **29/600,334**

(22) Filed: **Apr. 11, 2017**

(51) **LOC (11) Cl.** **15-03**

(52) **U.S. Cl.**
USPC **D15/122**

(58) **Field of Classification Search**
USPC D15/122, 135, 138, 145, 146; D18/6, 7,
D18/14, 19, 50, 54.1, 55
CPC G06T 11/206; G06T 11/60; G06T 15/00;
G06T 2207/30201; G06T 7/0012; G06T
7/11; G06T 11/001; G06T 11/003; G06T
11/40; G06T 13/00; G06T 15/005; G06T
15/02; G06T 15/04; G06T 15/10; G06T
15/20; G06T 15/503; G06T 15/60; G06T
15/80; G06T 19/00; G06T 19/20; G06T
1/20; G06T 2200/24; G06T 2207/10024;
G06T 2207/10068; G06T 2207/10132;
G06T 2207/20221; G06T 2207/30028;
G06T 2207/30048; G06T 2207/30104;
G06T 7/00; G06T 7/149; G06T 7/248;
G06T 7/64

See application file for complete search history.

(56) **References Cited**

U.S. PATENT DOCUMENTS

4,319,794 A 3/1982 Bachor
D298,943 S 12/1988 Haager et al.

D311,177 S 10/1990 Peters
D341,827 S 11/1993 Lai et al.
D432,160 S 10/2000 Kabumoto et al.
D458,911 S 6/2002 Kataoka
D461,187 S 8/2002 Andre et al.
D506,465 S 6/2005 Geeng
D508,491 S 8/2005 Choi
D523,897 S 6/2006 Iue
D514,556 S 8/2006 Chin et al.
D526,640 S 8/2006 Chin et al.
7,204,684 B2 4/2007 Ederer et al.
7,297,304 B2 11/2007 Swanson et al.
D577,743 S 9/2008 Liu
D580,952 S 11/2008 Liu
D598,906 S 8/2009 Chiba et al.
D602,019 S 10/2009 Wang et al.
D623,136 S 9/2010 Andre et al.
D629,827 S 12/2010 Morenstein et al.
D646,148 S 11/2011 Gengoux
D648,186 S 11/2011 Pourian et al.
D649,148 S 11/2011 Gengoux
8,318,076 B2 11/2012 Wang et al.
D677,723 S 3/2013 Buel et al.

(Continued)

Primary Examiner — Ian Simmons
Assistant Examiner — Khawaja Anwar
 (74) *Attorney, Agent, or Firm* — Perkins Coie LLP

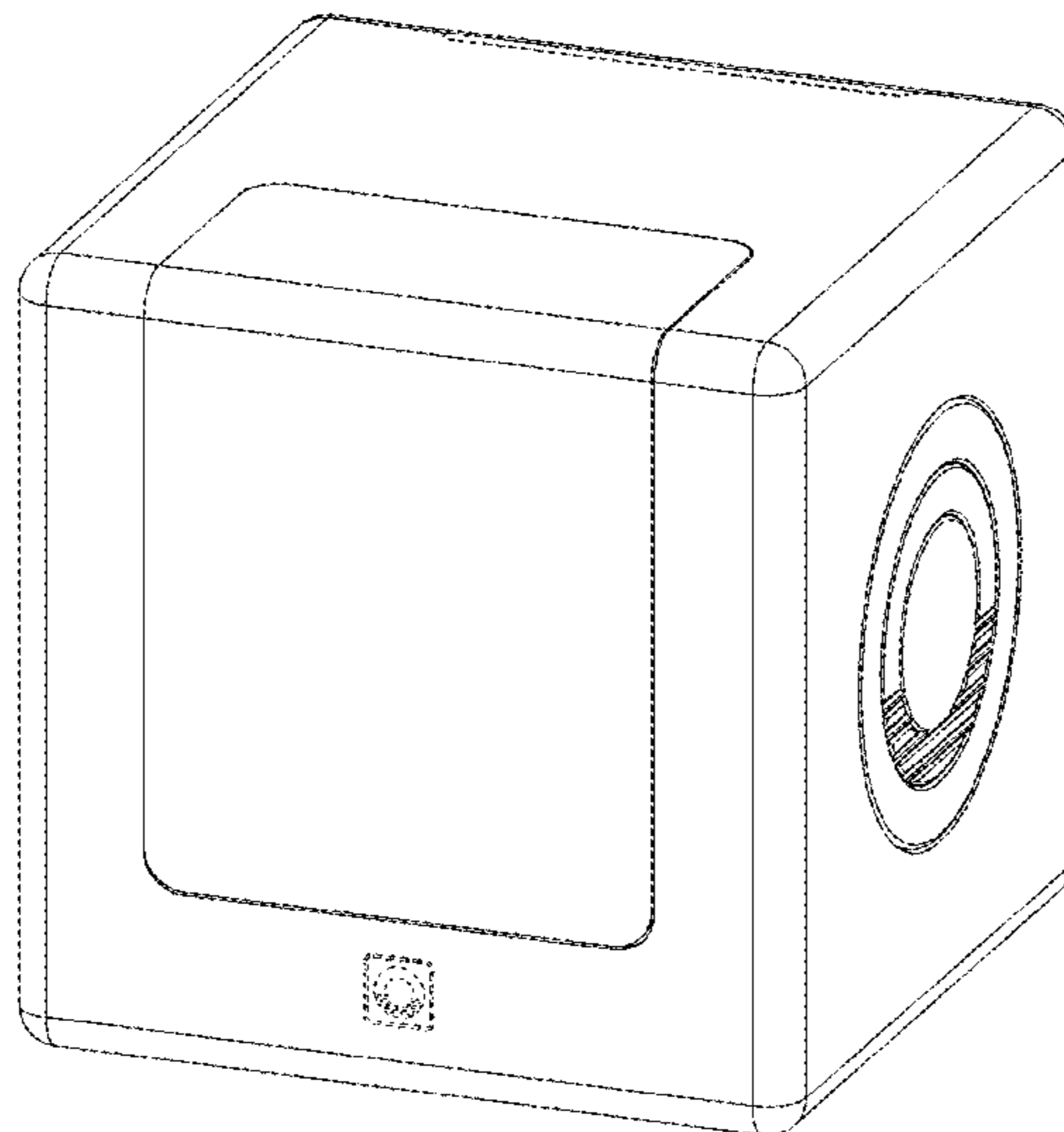
(57) **CLAIM**

The ornamental design for a printer for printing three-dimensional objects, as shown and described.

DESCRIPTION

FIG. 1 is an isometric view of the printer;
 FIG. 2 is a left side view of the printer;
 FIG. 3 is a right side view of the printer;
 FIG. 4 is a bottom view of the printer; and,
 FIG. 5 is a back view of the printer.
 The broken-line disclosure represents portions of the printer,
 which form no part of the claimed design.

1 Claim, 5 Drawing Sheets



(56)

References Cited

U.S. PATENT DOCUMENTS

D681,548	S	5/2013	Zhang et al.	
D690,280	S	9/2013	Schul	
D698,869	S	2/2014	Strzelewicz et al.	
D711,463	S	8/2014	Costabeber	
D722,053	S	2/2015	Wang	
D729,309	S	5/2015	Jun et al.	
D732,587	S	6/2015	Hsu et al.	
D732,588	S	6/2015	Lin et al.	
D733,196	S	6/2015	Wolf et al.	
D734,814	S	7/2015	Yeh et al.	
D735,267	S	7/2015	Chung et al.	
D736,838	S	8/2015	Costabeber	
D739,885	S	9/2015	Lee et al.	
D740,863	S	10/2015	Kemperle et al.	
D742,439	S *	11/2015	Kraibuhler	D15/122
D745,903	S	12/2015	Armani	
D749,153	S	2/2016	Anantha et al.	
D752,661	S	3/2016	Anantha et al.	
D757,132	S	5/2016	Liu et al.	
D760,825	S	7/2016	Solorzano et al.	
D763,330	S *	8/2016	Olive	D15/122
D770,545	S *	11/2016	Olive	D15/122
D771,164	S	11/2016	Noorazar	
D777,808	S *	1/2017	Chang	D15/122
D787,574	S *	5/2017	Lee	D15/122
2014/0043630	A1	2/2014	Buser et al.	

* cited by examiner

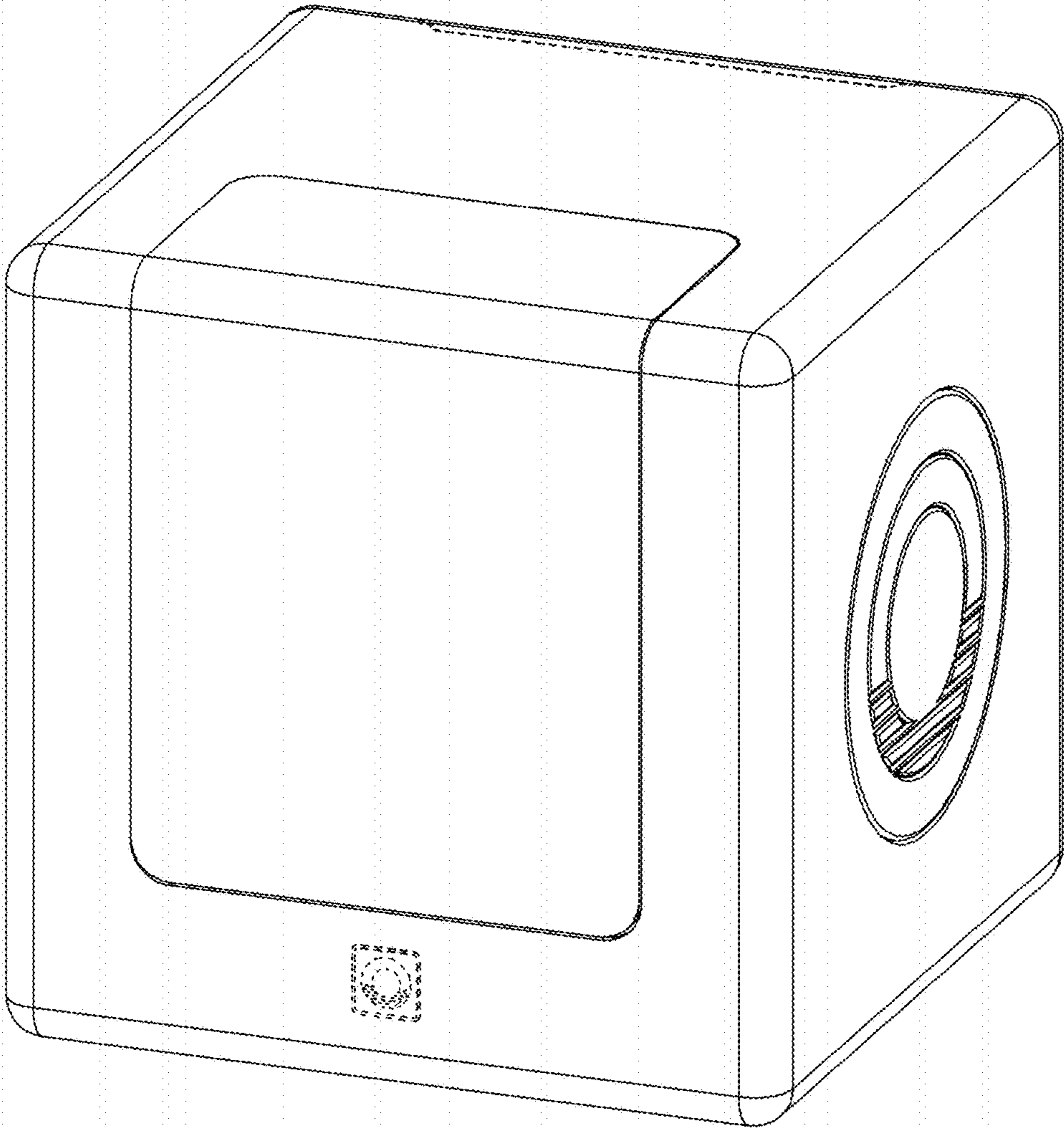


Fig. 1

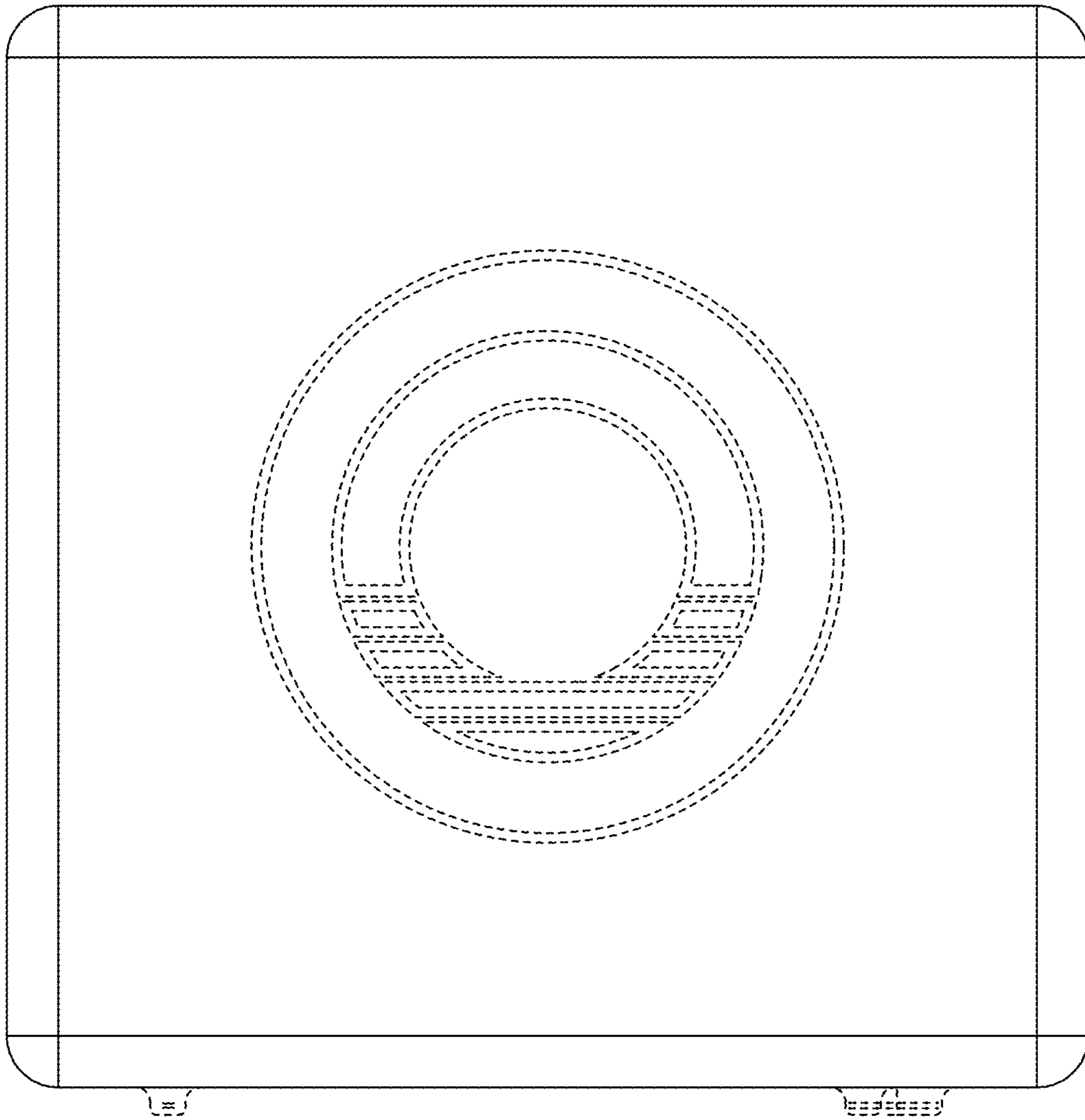


FIG. 2

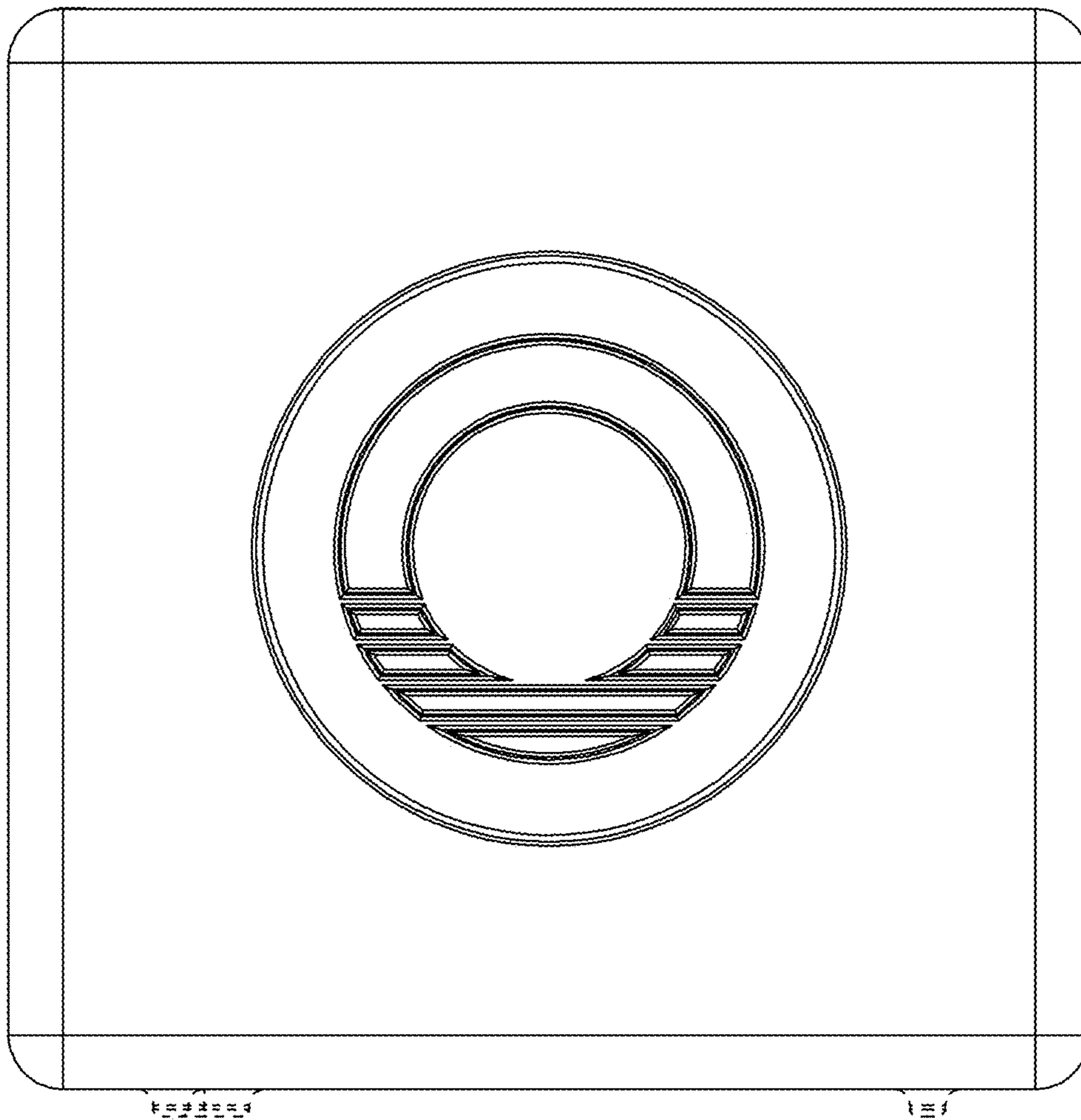


Fig. 3

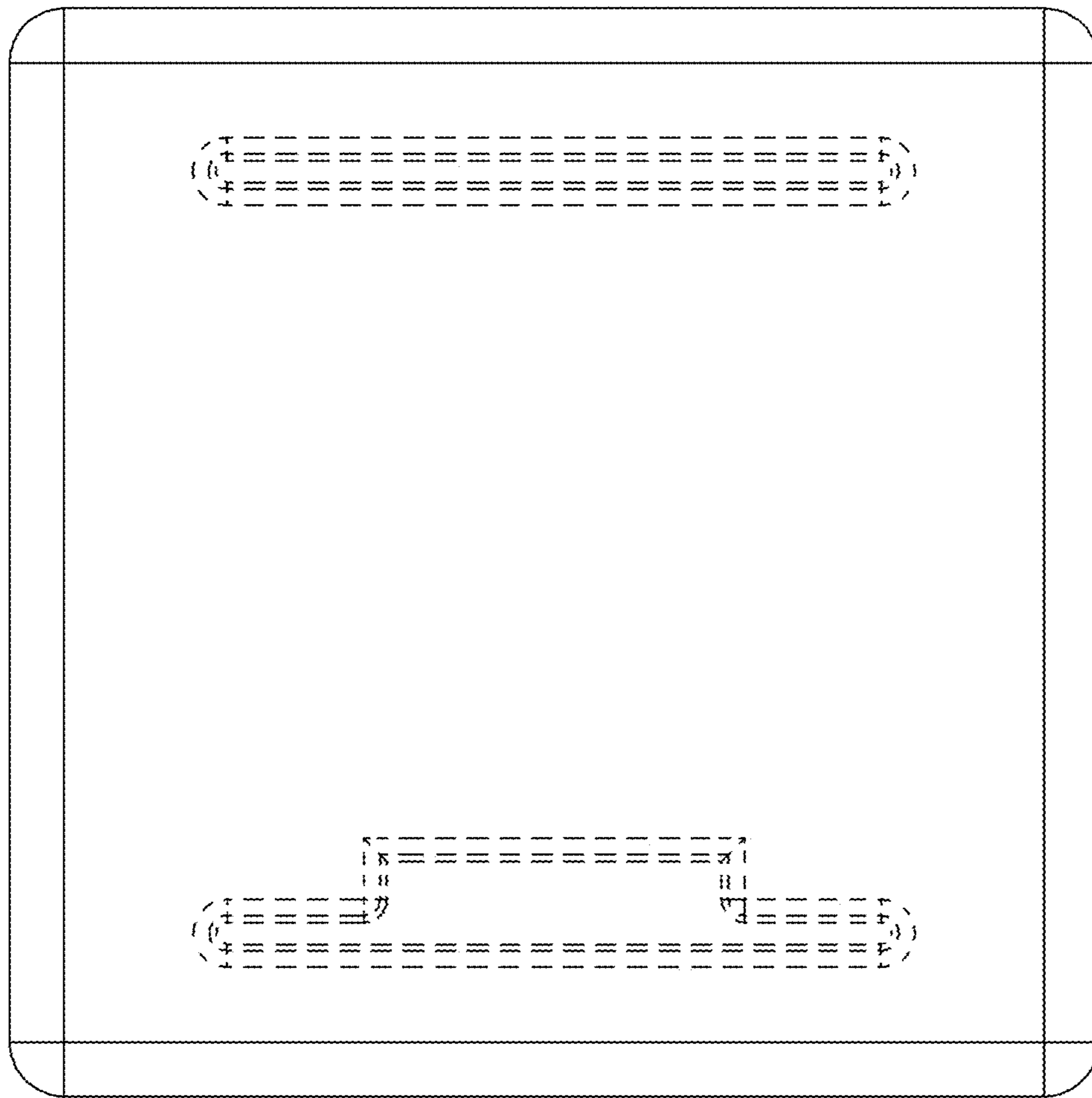


Fig. 4

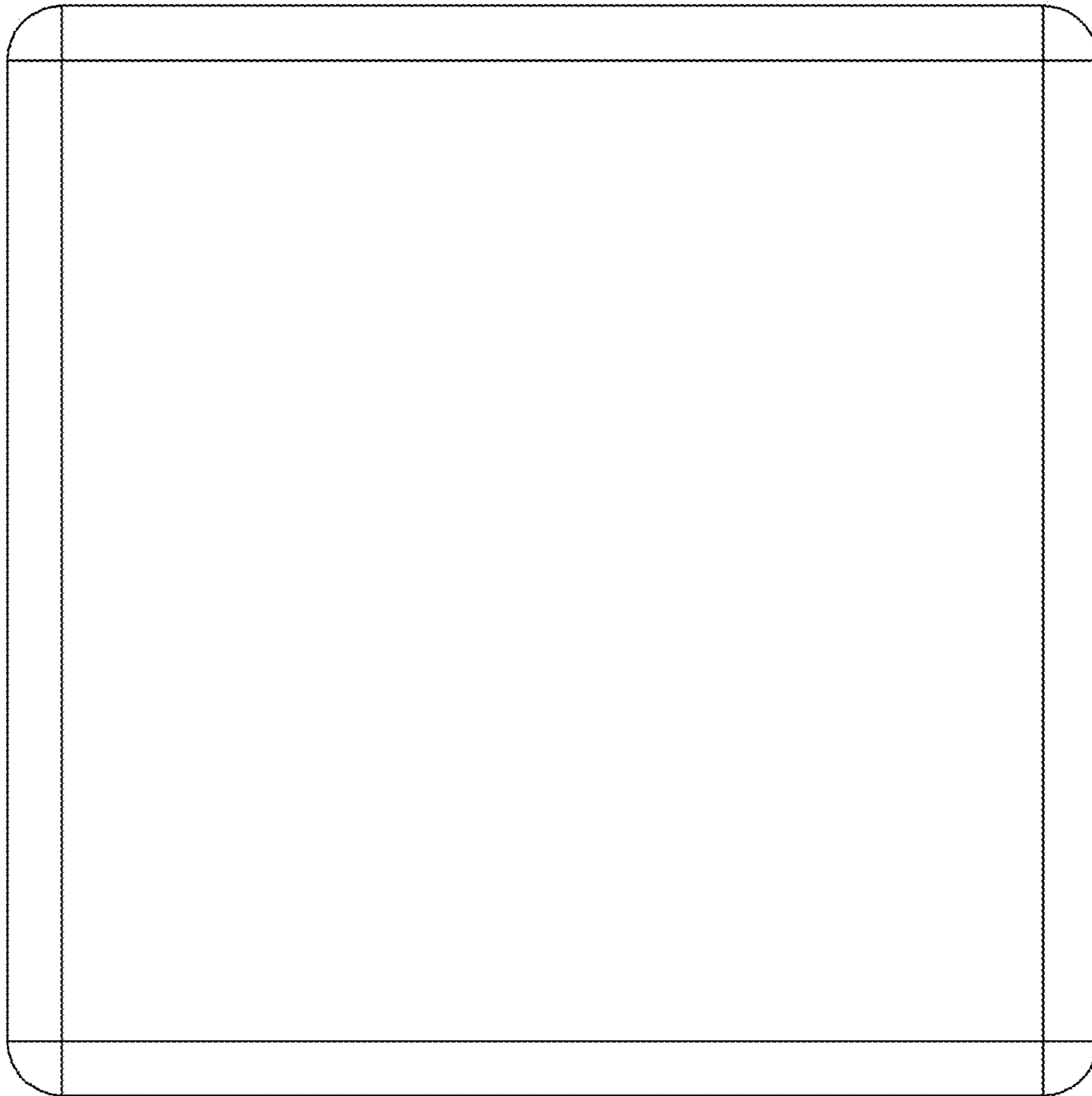


Fig. 5