



US00D826293S

(12) **United States Design Patent** (10) **Patent No.:** **US D826,293 S**
Kwon et al. (45) **Date of Patent:** **** *Aug. 21, 2018**

(54) **REFRIGERATOR**

F25D 2600/02; F25D 2700/02; F25D
2700/12; F25D 2700/121; F25D 2700/14;
F25D 29/00

(71) Applicant: **Samsung Electronics Co., Ltd.**,
Suwon-si (KR)

See application file for complete search history.

(72) Inventors: **Yoonjoo Kwon**, Seoul (KR);
Cheolwoong Seo, Seongnam-si (KR);
Jae-Moon Lee, Seoul (KR); **Binna**
Kim, Seoul (KR); **Hyunsoo Kim**,
Seongnam-si (KR); **Sunmin Lee**, Seoul
(KR)

(56) **References Cited**

U.S. PATENT DOCUMENTS

D118,645 S * 1/1940 Morgan D15/88
D134,455 S * 12/1942 Ganzer D15/88
D154,962 S * 8/1949 Van Doren et al. D15/88
D154,963 S * 8/1949 Van Doren et al. D15/88

(Continued)

(73) Assignee: **Samsung Electronics Co., Ltd.**,
Suwon-si (KR)

FOREIGN PATENT DOCUMENTS

(*) Notice: This patent is subject to a terminal dis-
claimer.

KR 30-1994-0019587 2/1996
KR 30-1997-0016165 9/1998
KR 30-1997-0027713 10/1998

(**) Term: **15 Years**

Primary Examiner — Ian Simmons
Assistant Examiner — Khawaja Anwar

(21) Appl. No.: **29/594,887**

(74) *Attorney, Agent, or Firm* — NSIP Law

(22) Filed: **Feb. 23, 2017**

(57) **CLAIM**

(30) **Foreign Application Priority Data**

We claim the ornamental design for a refrigerator, as shown
and described.

Sep. 1, 2016 (KR) 30-2016-0042995

(51) **LOC (11) Cl.** **15-07**

(52) **U.S. Cl.**
USPC **D15/88**

DESCRIPTION

(58) **Field of Classification Search**

USPC D15/79-91
CPC .. F25D 11/00; F25D 17/065; F25D 2325/022;
F25D 23/069; F25D 25/025; F25D 11/02;
F25D 17/062; F25D 21/12; F25D 21/125;
F25D 21/14; F25D 2317/061; F25D
2317/067; F25D 2323/021; F25D
2323/024; F25D 23/028; F25D 23/04;
F25D 23/066; F25D 23/085; F25D
23/087; F25D 23/126; F25D 2400/02;
F25D 2400/06; F25D 2400/361; F25D
2400/40; F25D 25/005; F25D 25/02;

FIG. 1 is a front perspective view of a refrigerator showing
our new design;

FIG. 2 is a front view thereof;

FIG. 3 is a rear view thereof;

FIG. 4 is a left-side view thereof;

FIG. 5 is a right-side view thereof;

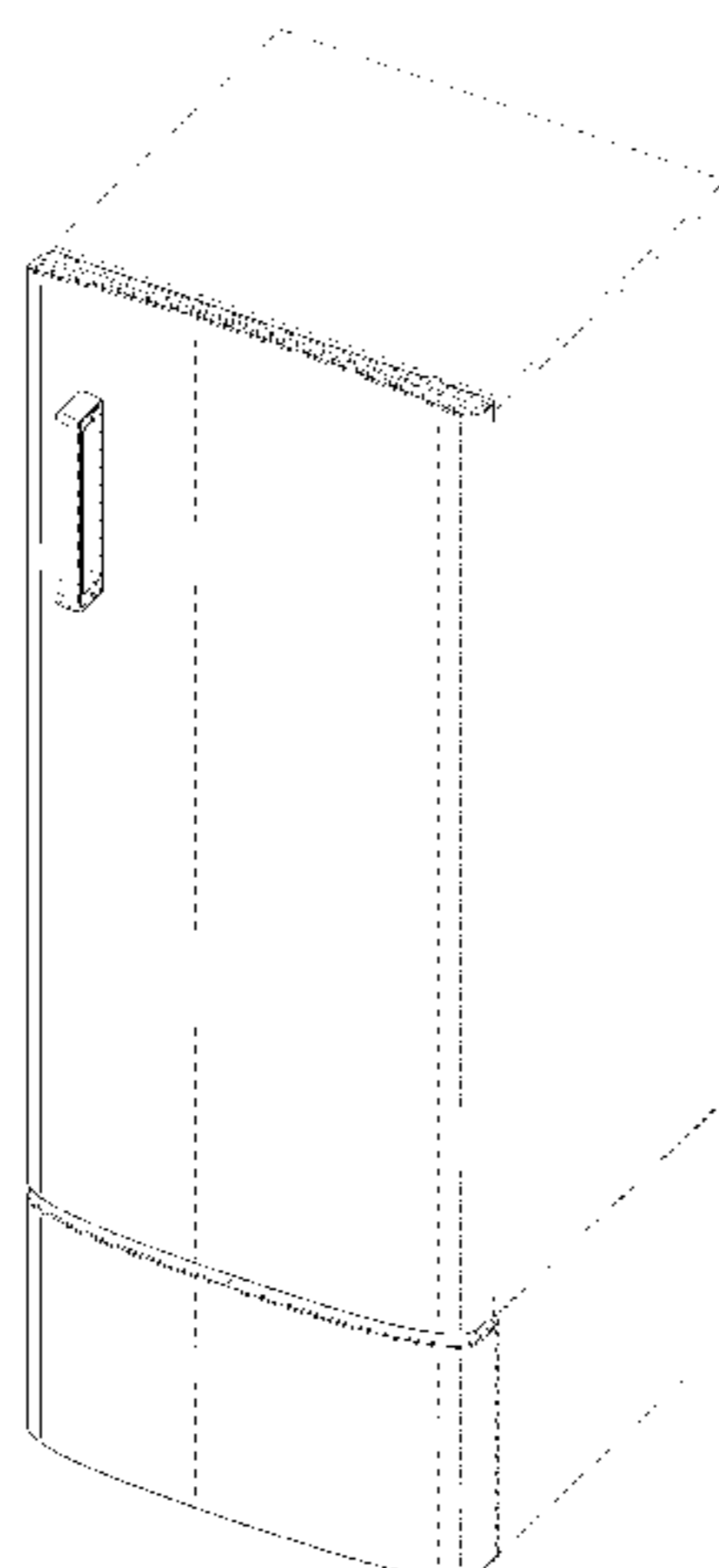
FIG. 6 is a top view thereof;

FIG. 7 is a bottom view thereof; and,

FIG. 8 is an enlarged view of the encircled portion in FIG.
3.

The broken lines in the figures depict environmental subject
matter and form no part of the claimed design.

(Continued)



The dot-dash broken lines encircling portions of the claimed design that are illustrated in enlargements form no part of the claimed design.

1 Claim, 8 Drawing Sheets

(56)

References Cited

U.S. PATENT DOCUMENTS

D173,765 S * 12/1954 Reynolds, Jr. et al. D15/88
D342,744 S * 12/1993 Renner D15/81

* cited by examiner

FIG. 1

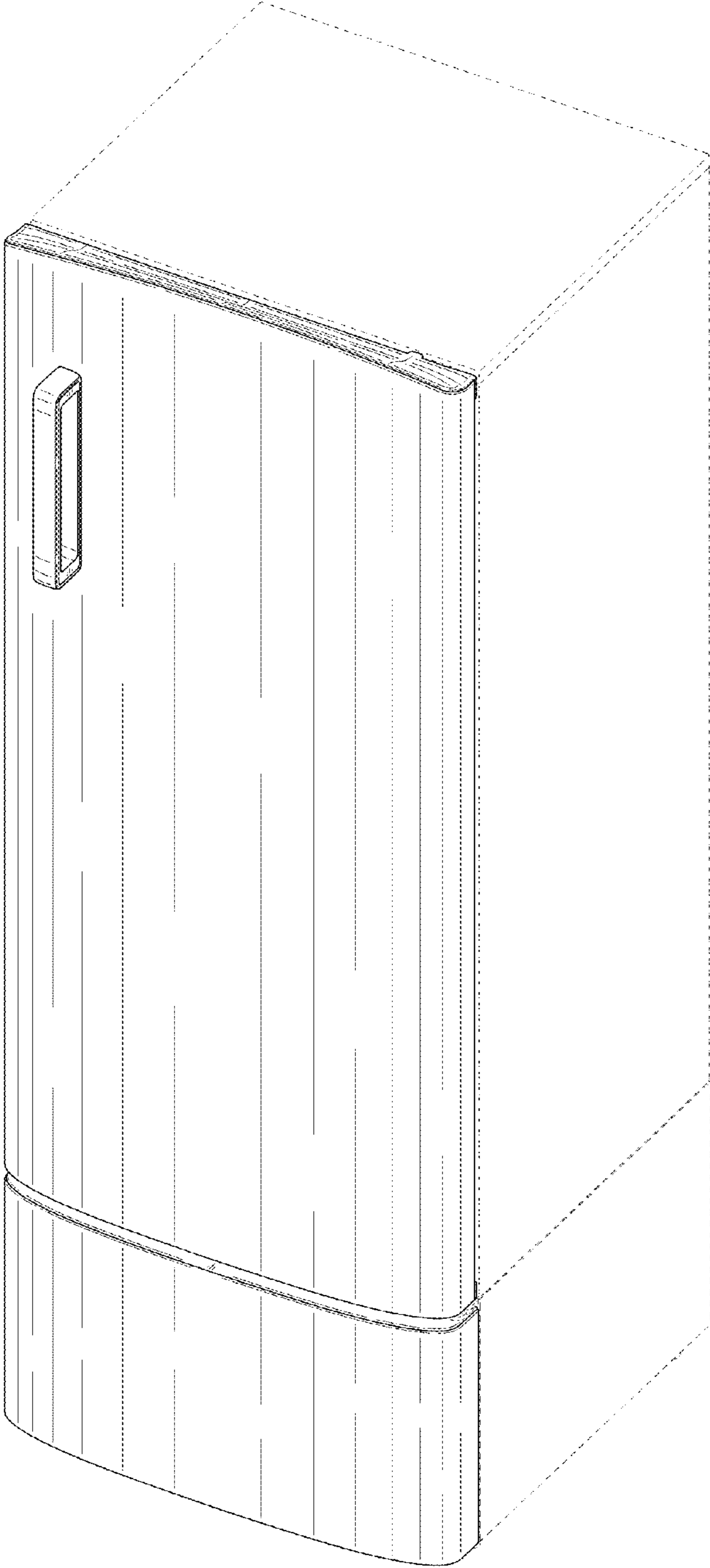


FIG. 2

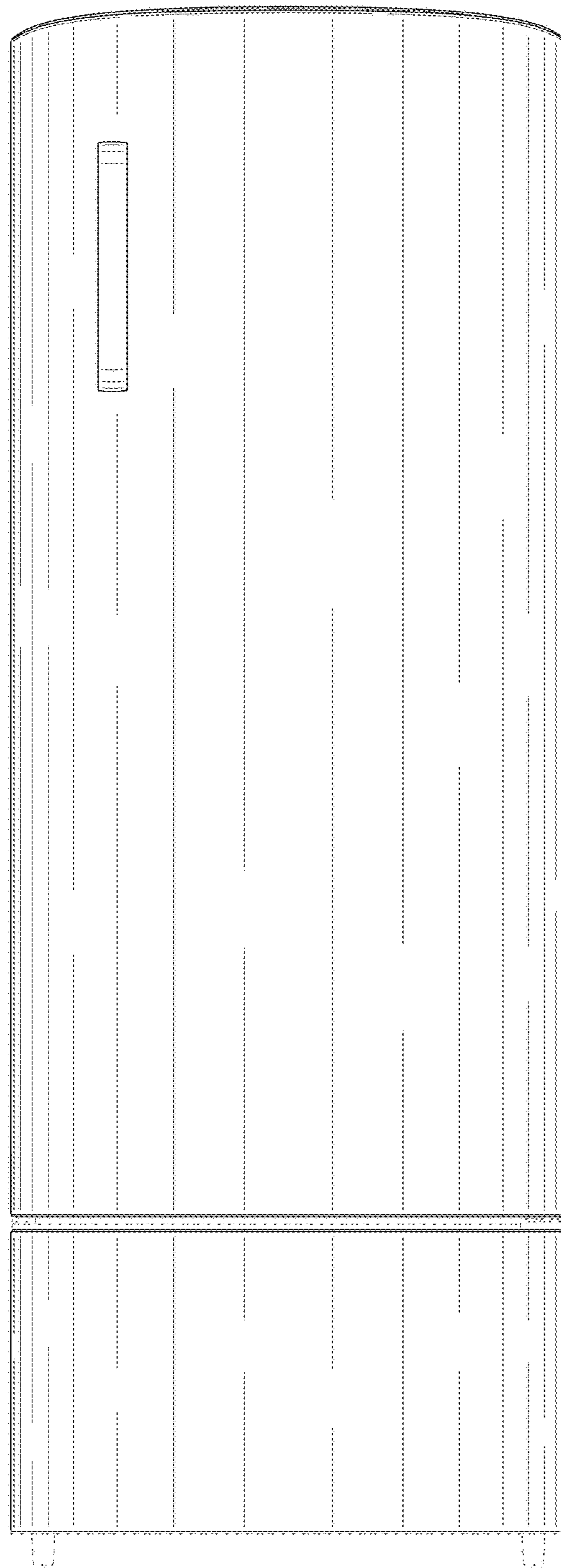


FIG. 3

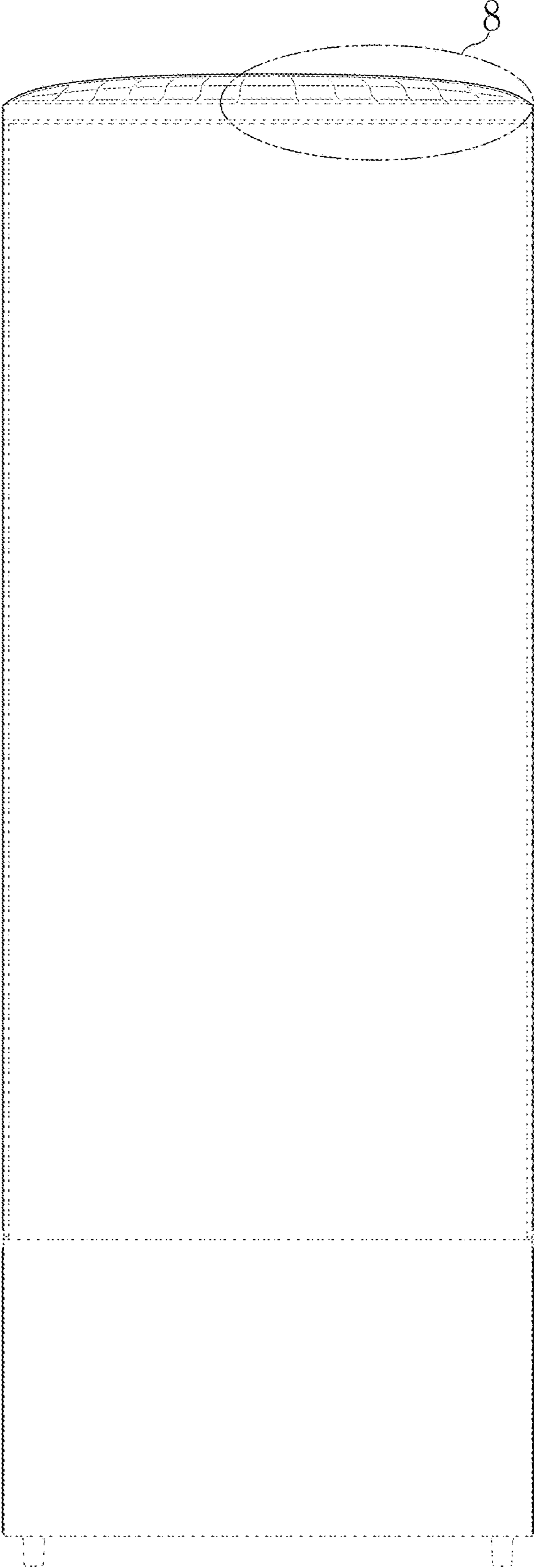


FIG. 4

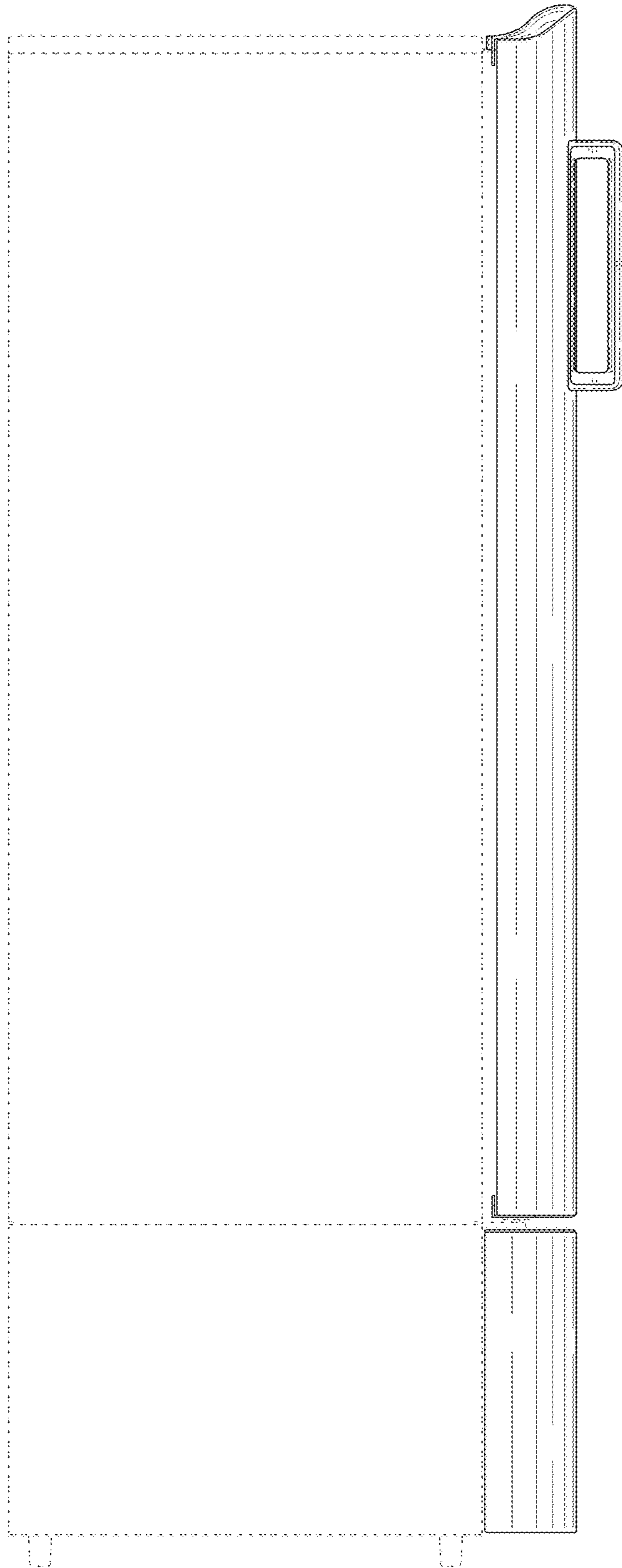


FIG. 5

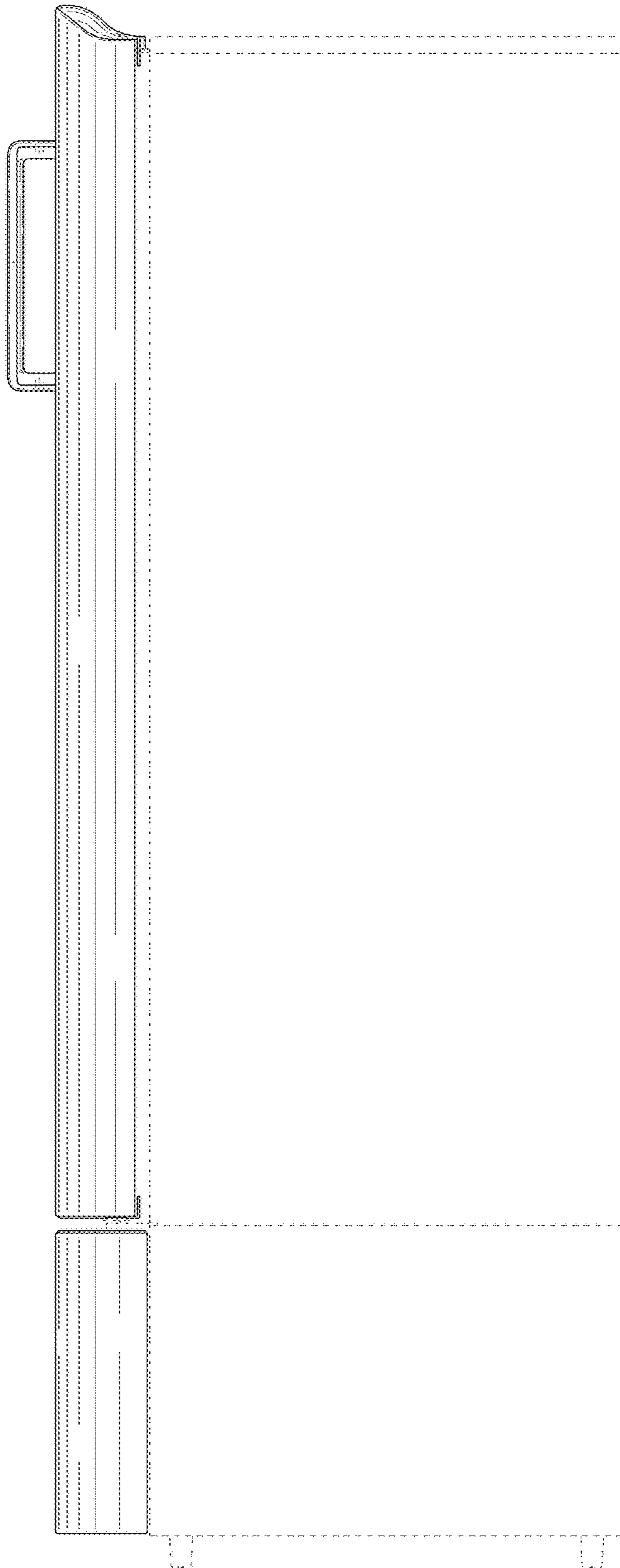


FIG. 6

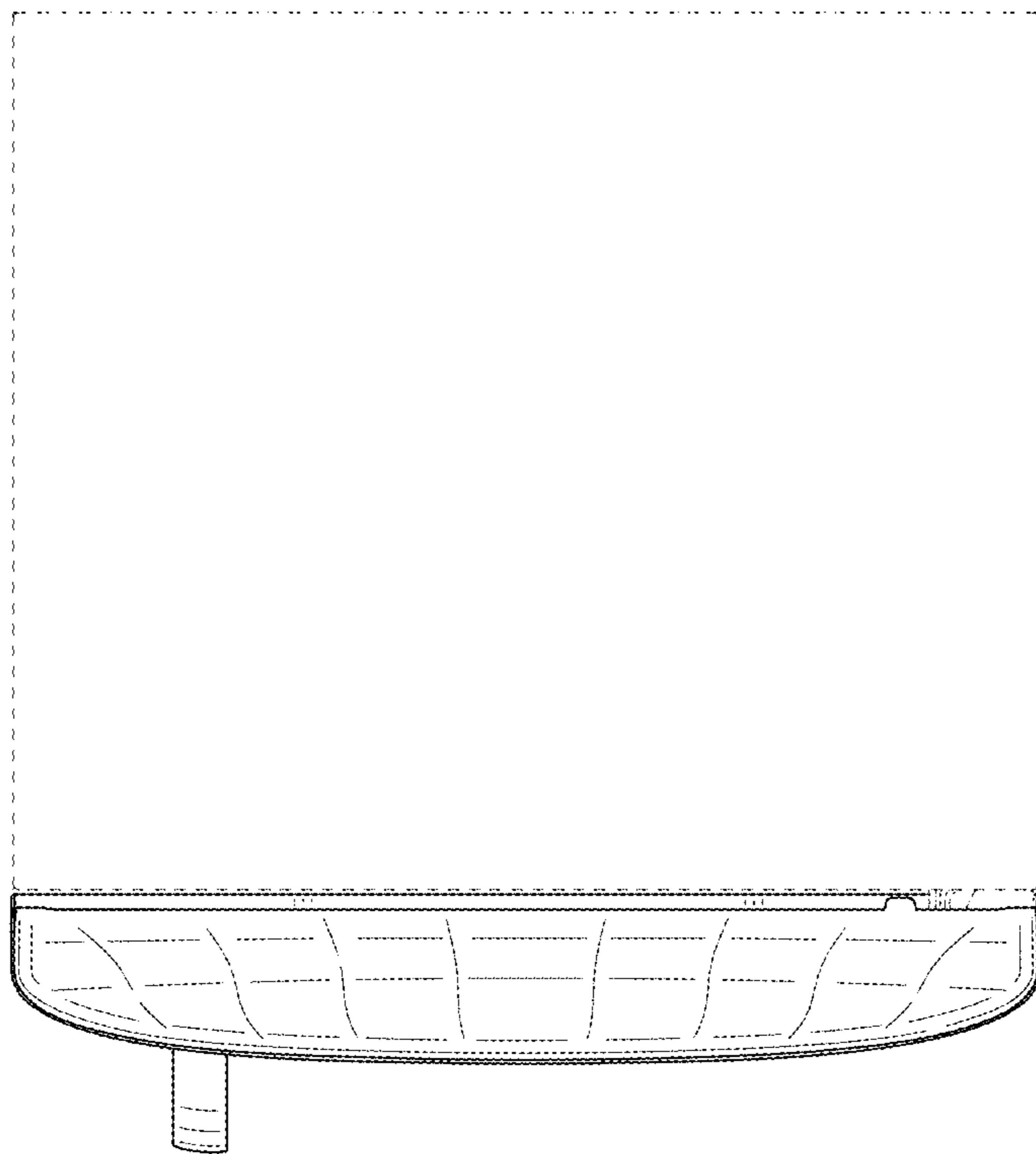


FIG. 7

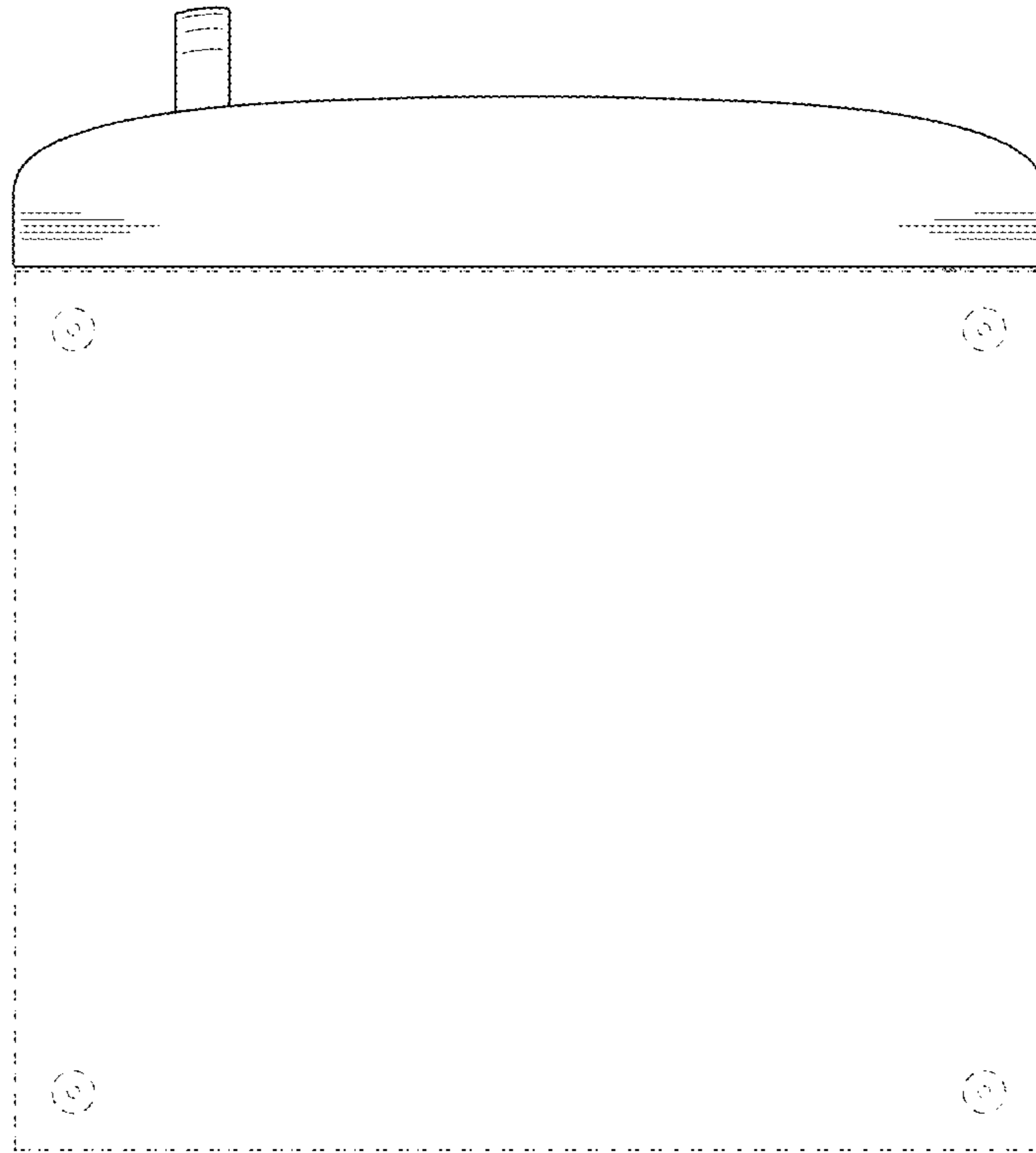


FIG. 8

