



US00D826291S

(12) **United States Design Patent** (10) **Patent No.:** **US D826,291 S**  
**Lim et al.** (45) **Date of Patent:** **\*\* Aug. 21, 2018**

(54) **REFRIGERATOR**

F25D 27/005; F25D 23/12; F25D 29/005;  
F25D 17/042; F25D 2325/021

(71) Applicant: **LG ELECTRONICS INC.**, Seoul  
(KR)

See application file for complete search history.

(72) Inventors: **Jaewon Lim**, Seoul (KR); **Youngwon Jeong**, Seoul (KR); **Chulhee Lim**, Seoul (KR); **Byungmu Huh**, Seoul (KR)

(56) **References Cited**

U.S. PATENT DOCUMENTS

(73) Assignee: **LG ELECTRONICS INC.**, Seoul  
(KR)

D243,985	S	*	4/1977	Brown	.....	D15/85
D244,019	S	*	4/1977	Brown	.....	D15/85
D271,107	S	*	10/1983	Trulaske	.....	D15/85
D453,169	S	*	1/2002	Ma	.....	D15/81
D467,596	S	*	12/2002	Kim	.....	D15/81
D468,325	S	*	1/2003	Lorek	.....	D15/81
D478,601	S	*	8/2003	Becke	.....	F25D 25/02
						D15/81
D487,278	S	*	3/2004	Segers	.....	F25D 11/00
						D15/86
D493,181	S	*	7/2004	Kehoe	.....	D15/81
D512,081	S	*	11/2005	Chang	.....	D15/81
D513,014	S	*	12/2005	Seki	.....	D15/81
D519,133	S	*	4/2006	Chang	.....	D15/81
D524,830	S	*	7/2006	Lei	.....	D15/81
D539,312	S	*	3/2007	Kim	.....	D15/81
D540,831	S	*	4/2007	Kim	.....	D15/81
D541,315	S	*	4/2007	Trulaske, Sr.	.....	D15/81

(\*\*) Term: **15 Years**

(21) Appl. No.: **35/503,166**

(22) Filed: **Dec. 16, 2016**

(80) **Hague Agreement Data**

Int. Filing Date: **Dec. 16, 2016**  
Int. Reg. No.: **DM/093997**  
Int. Reg. Date: **Dec. 16, 2016**  
Int. Reg. Pub. Date: **Jun. 16, 2017**

(Continued)

*Primary Examiner* — Richard E Chilcot

(74) *Attorney, Agent, or Firm* — Birch, Stewart, Kolasch & Birch, LLP

(30) **Foreign Application Priority Data**

Jun. 24, 2016 (KR) ..... 30-2016-0030894

(51) **LOC (11) Cl.** ..... **15-07**

(52) **U.S. Cl.**  
USPC ..... **D15/81**

(58) **Field of Classification Search**

USPC ..... D15/79-91; D6/334-336, 349-380, 519,  
D6/559-561, 611, 646, 657-61, 662.1,  
D6/663, 675, 675.1-675.3, 683, 683.1,  
D6/685, 691, 691.5, 699, 702-708.25,  
D6/716-716.4  
CPC ..... F25D 23/028; F25D 23/02; F25D 25/025;  
F25D 23/00; F25D 2323/021; F25D  
11/00; F25D 2323/024; F25D 23/04;  
F25D 29/00; F25D 25/02; F25D 25/024;

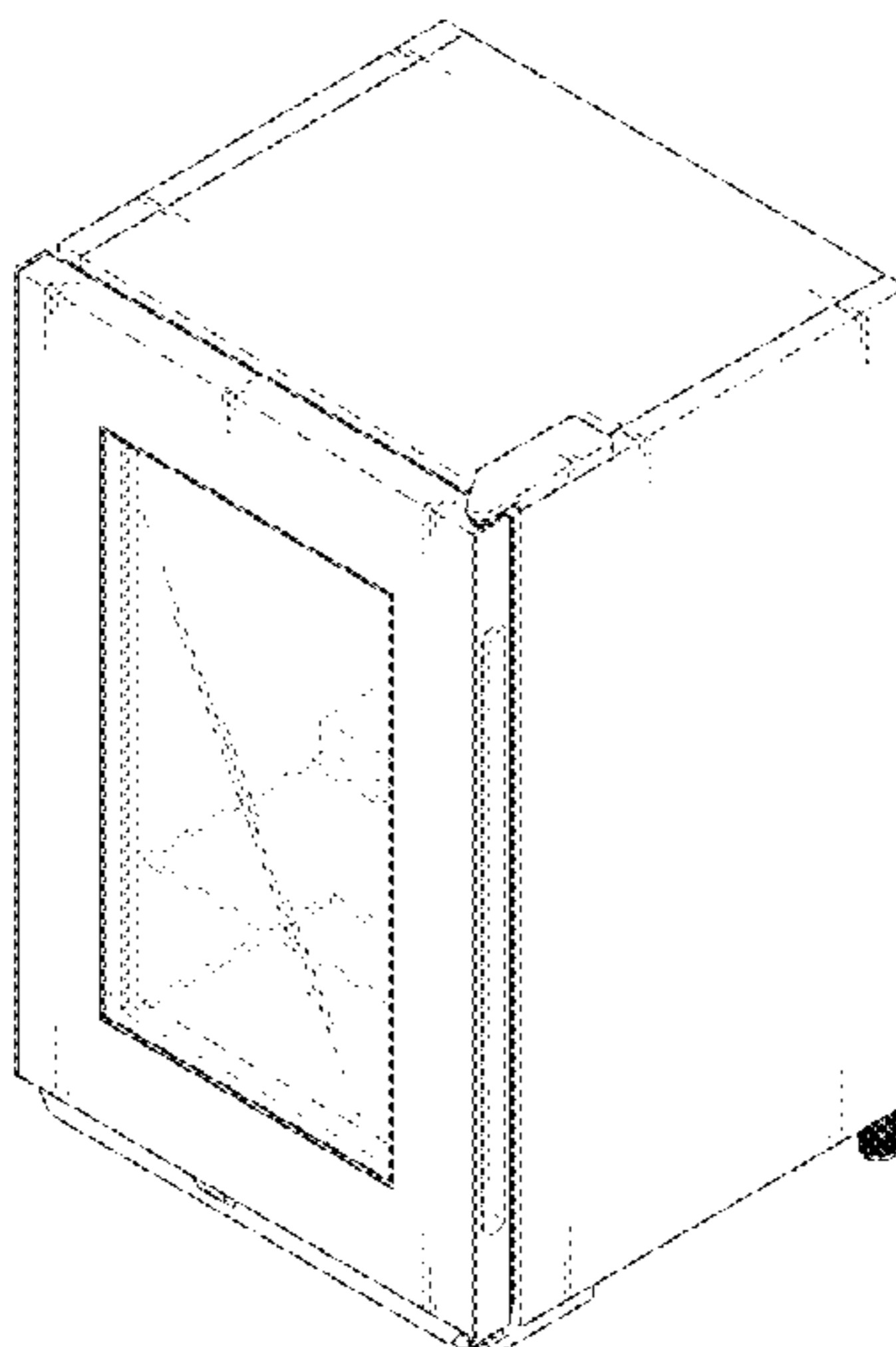
(57) **CLAIM**

The ornamental design for a refrigerator, as shown and described.

**DESCRIPTION**

- 1. Refrigerator
- 1.1 : Perspective
- 1.2 : Front
- 1.3 : Back
- 1.4 : Left
- 1.5 : Right
- 1.6 : Top
- 1.7 : Bottom

**1 Claim, 7 Drawing Sheets**



(56)

References Cited

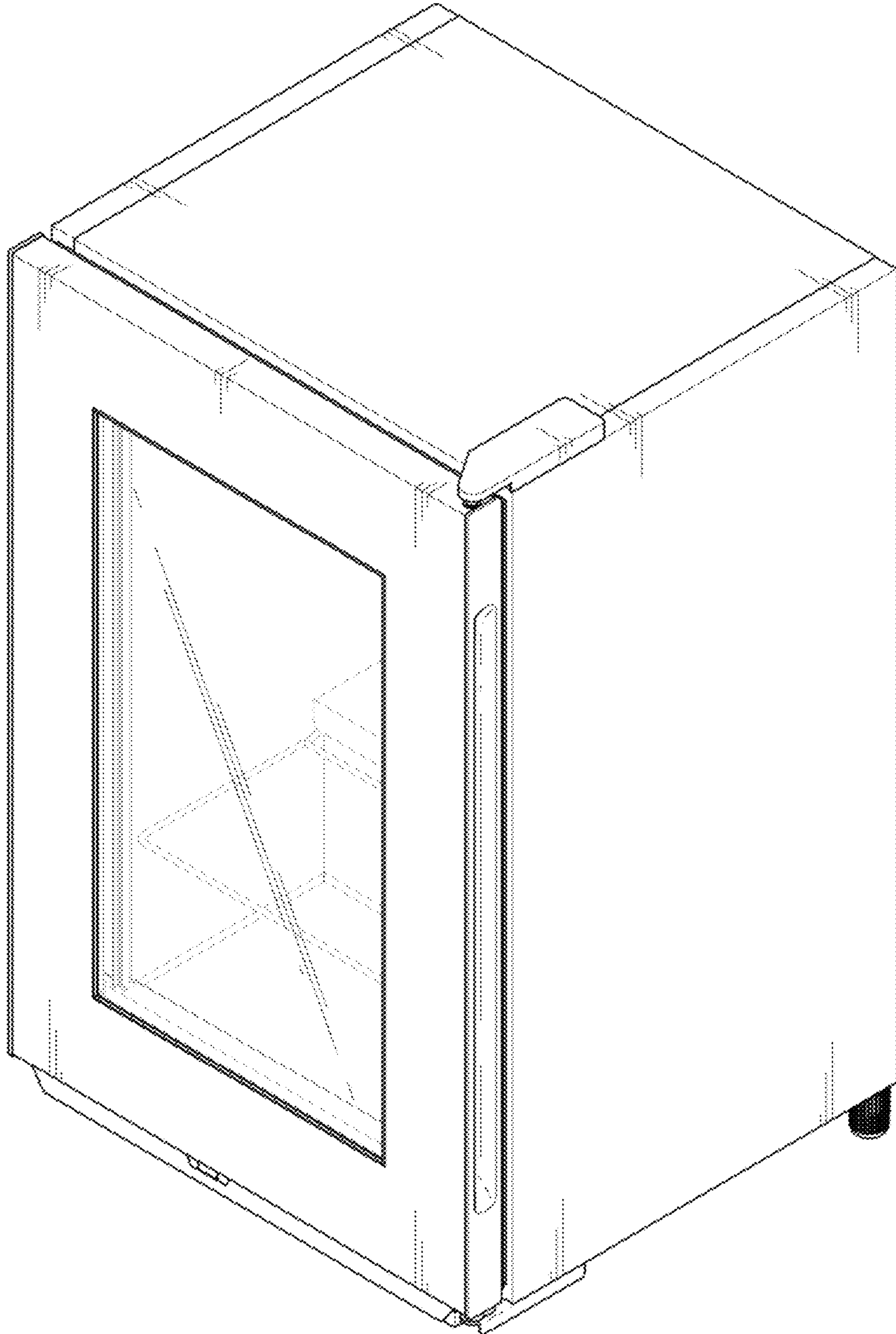
U.S. PATENT DOCUMENTS

D550,256 S \* 9/2007 Lei ..... D15/81  
 D604,340 S \* 11/2009 Kim ..... D15/81  
 D615,565 S \* 5/2010 Kristiansen ..... D15/86  
 D627,374 S \* 11/2010 Yang ..... D15/81  
 D629,022 S \* 12/2010 Cho ..... D15/85  
 D630,231 S \* 1/2011 Yang ..... D15/81  
 D654,098 S \* 2/2012 Piffl ..... D15/81  
 D656,967 S \* 4/2012 Yi ..... D15/86  
 D660,886 S \* 5/2012 Piffl ..... D15/91  
 D673,189 S \* 12/2012 Kwak ..... D15/86  
 D681,075 S \* 4/2013 Yi ..... D15/86  
 D687,076 S \* 7/2013 Schaefer ..... D15/81  
 D691,644 S \* 10/2013 Cho ..... D15/86  
 D695,795 S \* 12/2013 Schaefer ..... D15/81  
 D698,371 S \* 1/2014 Brenneis ..... D15/81  
 D701,539 S \* 3/2014 Saejin ..... D15/85  
 D702,739 S \* 4/2014 Kim ..... D15/86

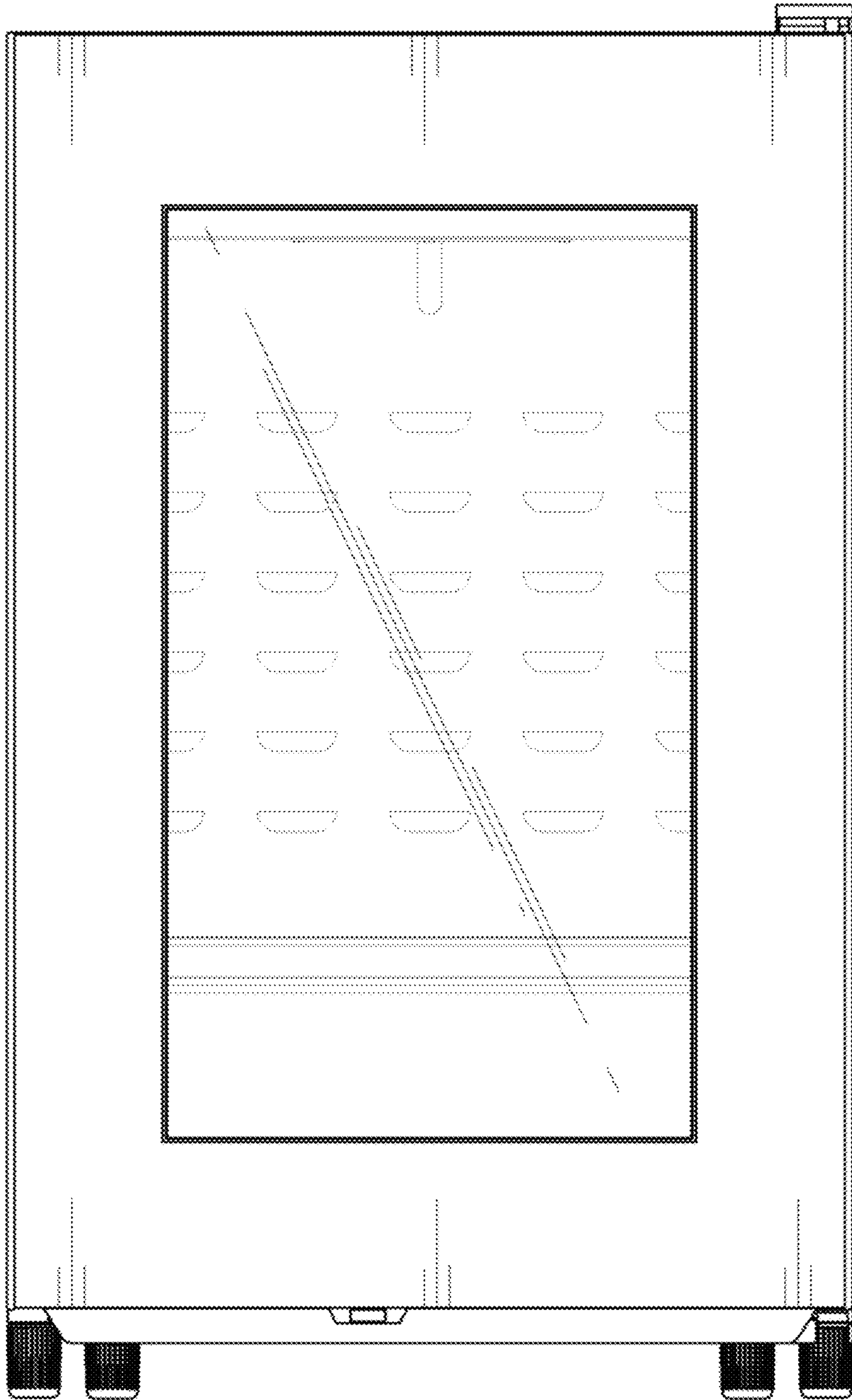
D704,981 S \* 5/2014 Gates ..... D7/332  
 D705,278 S \* 5/2014 Schaefer ..... D15/81  
 D705,279 S \* 5/2014 Schaefer ..... D15/81  
 D705,824 S \* 5/2014 Schaefer ..... D15/81  
 D724,629 S \* 3/2015 Choi ..... D15/85  
 D729,286 S \* 5/2015 Kwak ..... D15/85  
 D732,584 S \* 6/2015 Sin ..... D15/86  
 D742,434 S \* 11/2015 Yeo ..... D15/86  
 D767,648 S \* 9/2016 Shoemaker ..... D15/86  
 D775,245 S \* 12/2016 Seo ..... D15/81  
 D776,726 S \* 1/2017 Mauffette ..... D15/81  
 D781,931 S \* 3/2017 Sherman ..... D15/80  
 D794,684 S \* 8/2017 Mauffette ..... D15/81  
 D803,602 S \* 11/2017 Hightower ..... D6/663  
 D814,215 S \* 4/2018 Yan ..... D6/660  
 2007/0228909 A1 \* 10/2007 Hwang ..... F25D 25/024  
 312/408  
 2008/0047209 A1 \* 2/2008 Hinterholzer ..... A47F 3/0434  
 52/208

\* cited by examiner

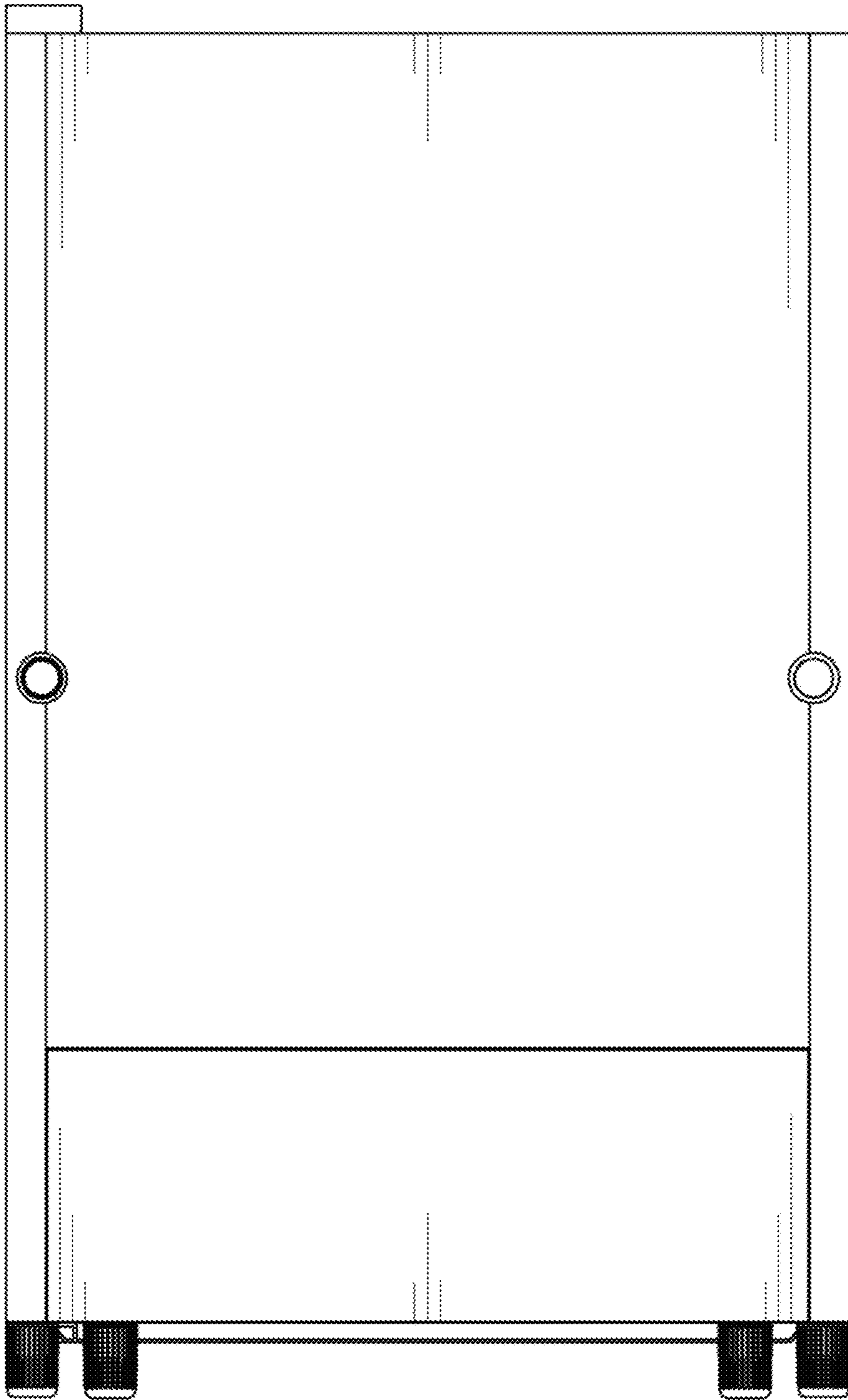
1.1



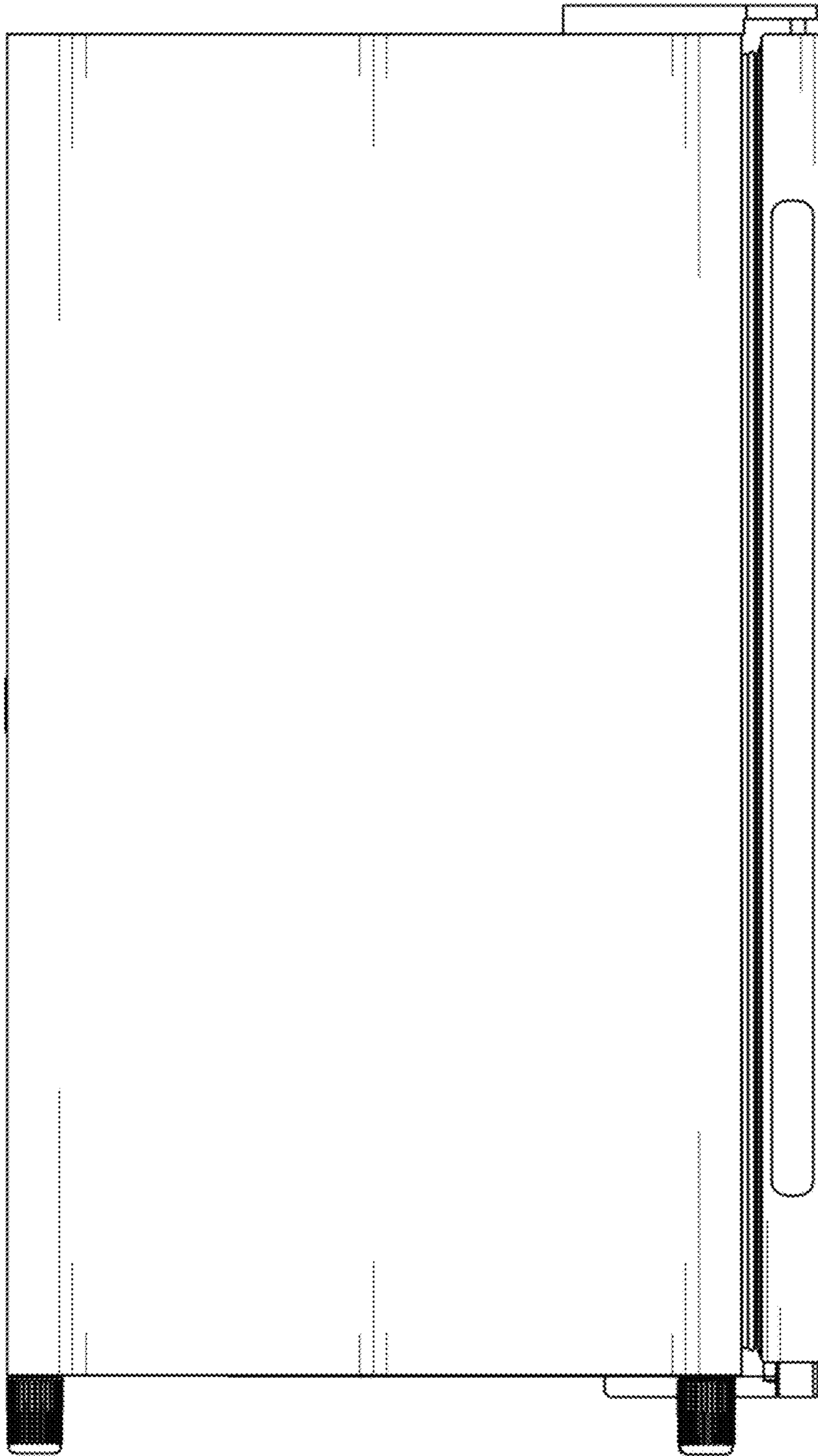
1.2



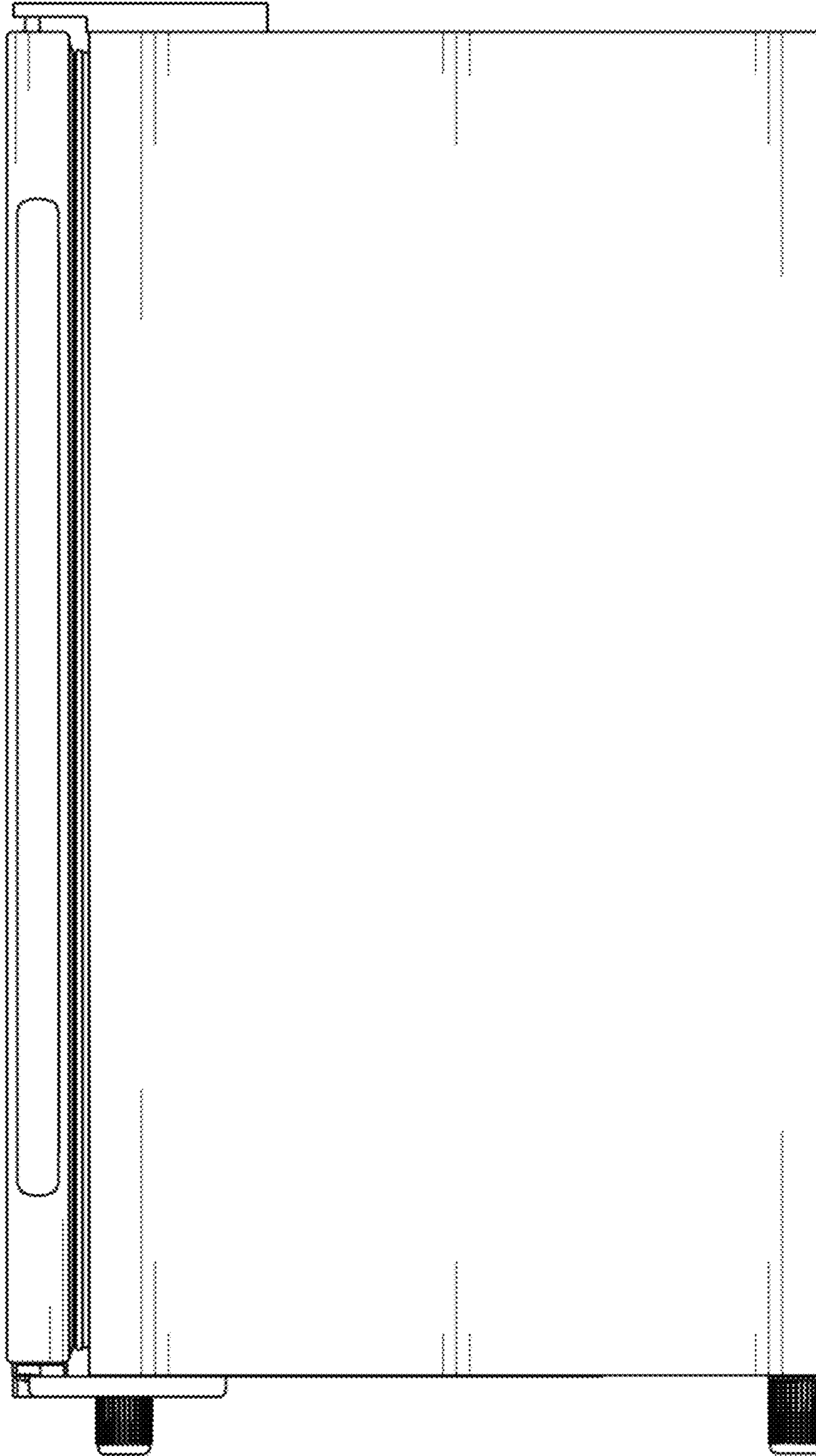
1.3



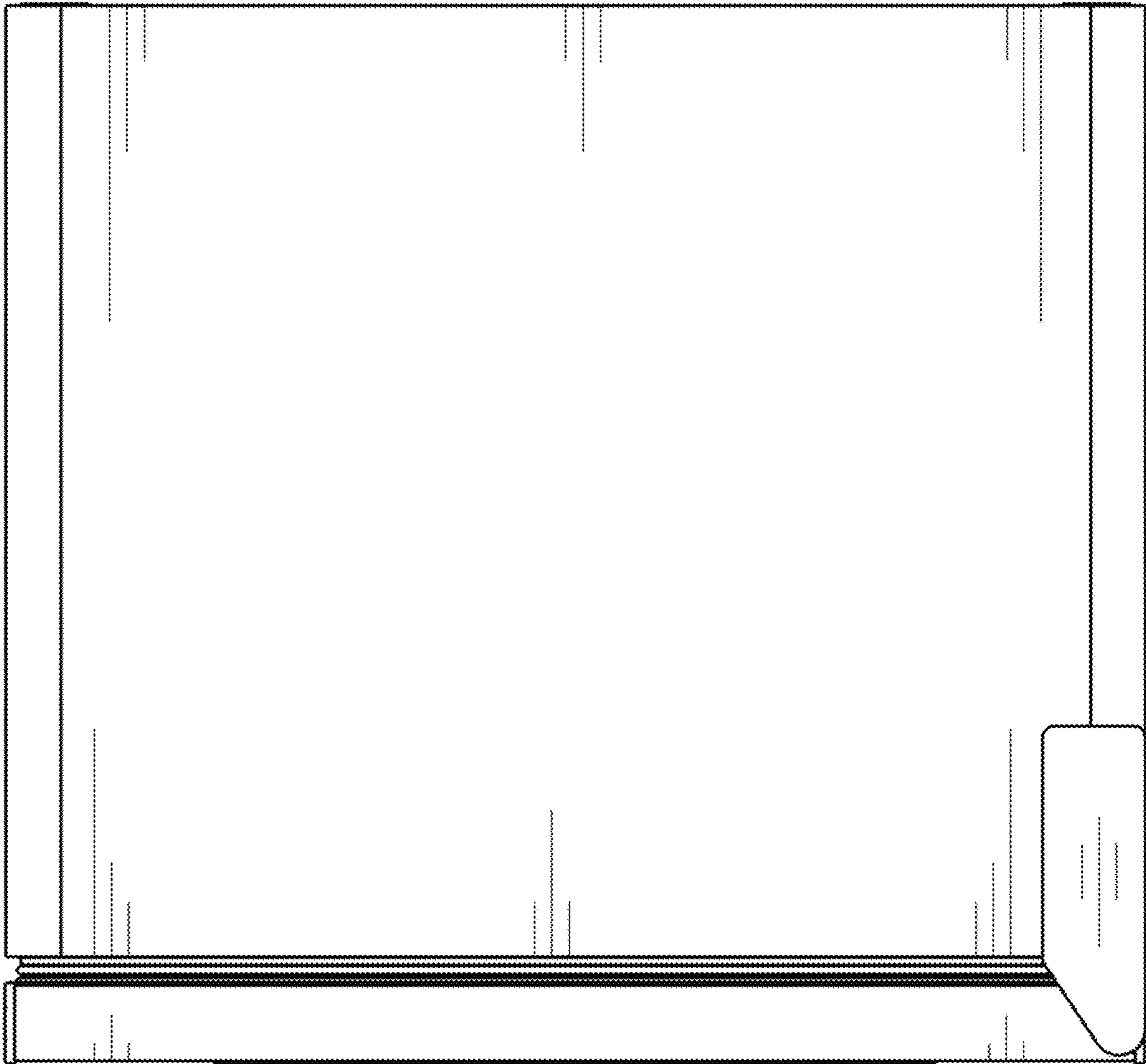
1.4



1.5



1.6





1.7

