



US00D826288S

(12) **United States Design Patent** (10) **Patent No.:** **US D826,288 S**
Resch (45) **Date of Patent:** **** Aug. 21, 2018**

(54) **REFRIGERATING APPARATUS**

(56) **References Cited**

(71) Applicant: **AHT COOLING SYSTEMS GMBH,**
Rottenmann (AT)

U.S. PATENT DOCUMENTS

(72) Inventor: **Reinhold Resch,** St. Peter (AT)

D477,617 S *	7/2003	Resch	D15/83
D678,364 S *	3/2013	Resch	D15/83
D697,951 S *	1/2014	Resch	D15/83
D697,952 S *	1/2014	Resch	D15/83
D752,118 S *	3/2016	Resch	D15/79
D752,119 S *	3/2016	Resch	D15/79
D752,120 S *	3/2016	Resch	D15/79
D768,733 S *	10/2016	Resch	D15/83

(73) Assignee: **AHT COOLING SYSTEMS GMBH,**
Rottenmann (AT)

(**) Term: **15 Years**

* cited by examiner

(21) Appl. No.: **29/596,978**

Primary Examiner — Ian Simmons

(22) Filed: **Mar. 13, 2017**

Assistant Examiner — Khawaja Anwar

(30) **Foreign Application Priority Data**

(74) *Attorney, Agent, or Firm* — Hogan Lovells US LLP

Mar. 2, 2017 (EP) 003780683

(51) **LOC (11) Cl.** **15-07**

(57) **CLAIM**

(52) **U.S. Cl.**
USPC **D15/79**

The ornamental design for a refrigerating apparatus, as shown and described.

(58) **Field of Classification Search**

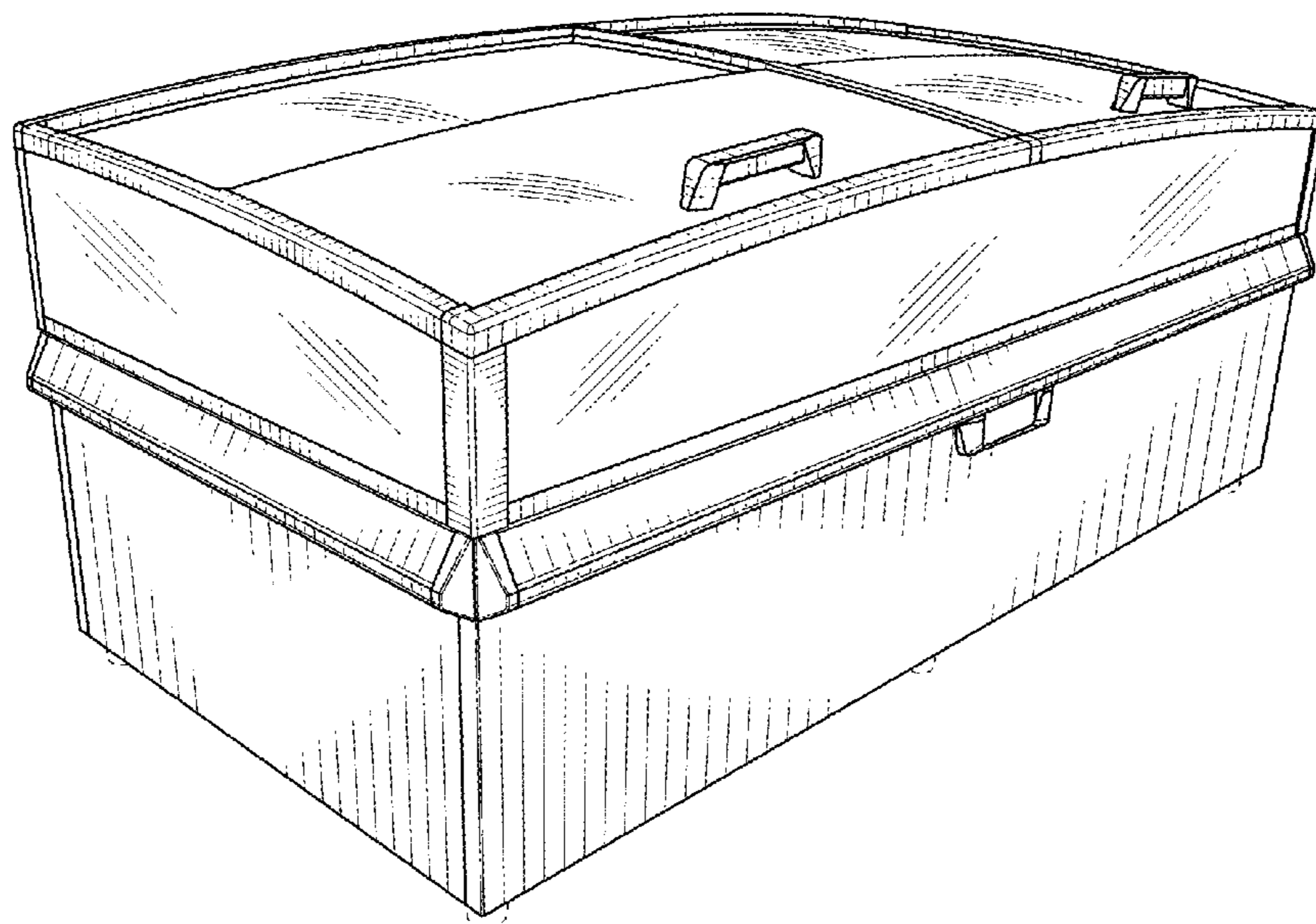
DESCRIPTION

USPC D15/79-91
CPC .. F25D 11/00; F25D 17/065; F25D 2325/022;
F25D 23/069; F25D 25/025; F25D 11/02;
F25D 17/062; F25D 21/12; F25D 21/125;
F25D 21/14; F25D 2317/061; F25D
2317/067; F25D 2323/021; F25D
2323/024; F25D 23/028; F25D 23/04;
F25D 23/066; F25D 23/085; F25D
23/087; F25D 23/126; F25D 2400/02;
F25D 2400/06; F25D 2400/361; F25D
2400/40; F25D 25/005; F25D 25/02;
F25D 2600/02; F25D 2700/02; F25D
2700/12; F25D 2700/121; F25D 2700/14;
F25D 29/00

FIG. 1 is a perspective view of a refrigerating apparatus showing the design;
FIG. 2 is a front view thereof;
FIG. 3 is a back view thereof;
FIG. 4 is a right side view thereof;
FIG. 5 is a left side view thereof;
FIG. 6 is a top view thereof; and,
FIG. 7 is a bottom view thereof.
The broken lines shown in the drawings represent unclaimed portions of the refrigerating apparatus and form no part of the claimed design.

See application file for complete search history.

1 Claim, 6 Drawing Sheets



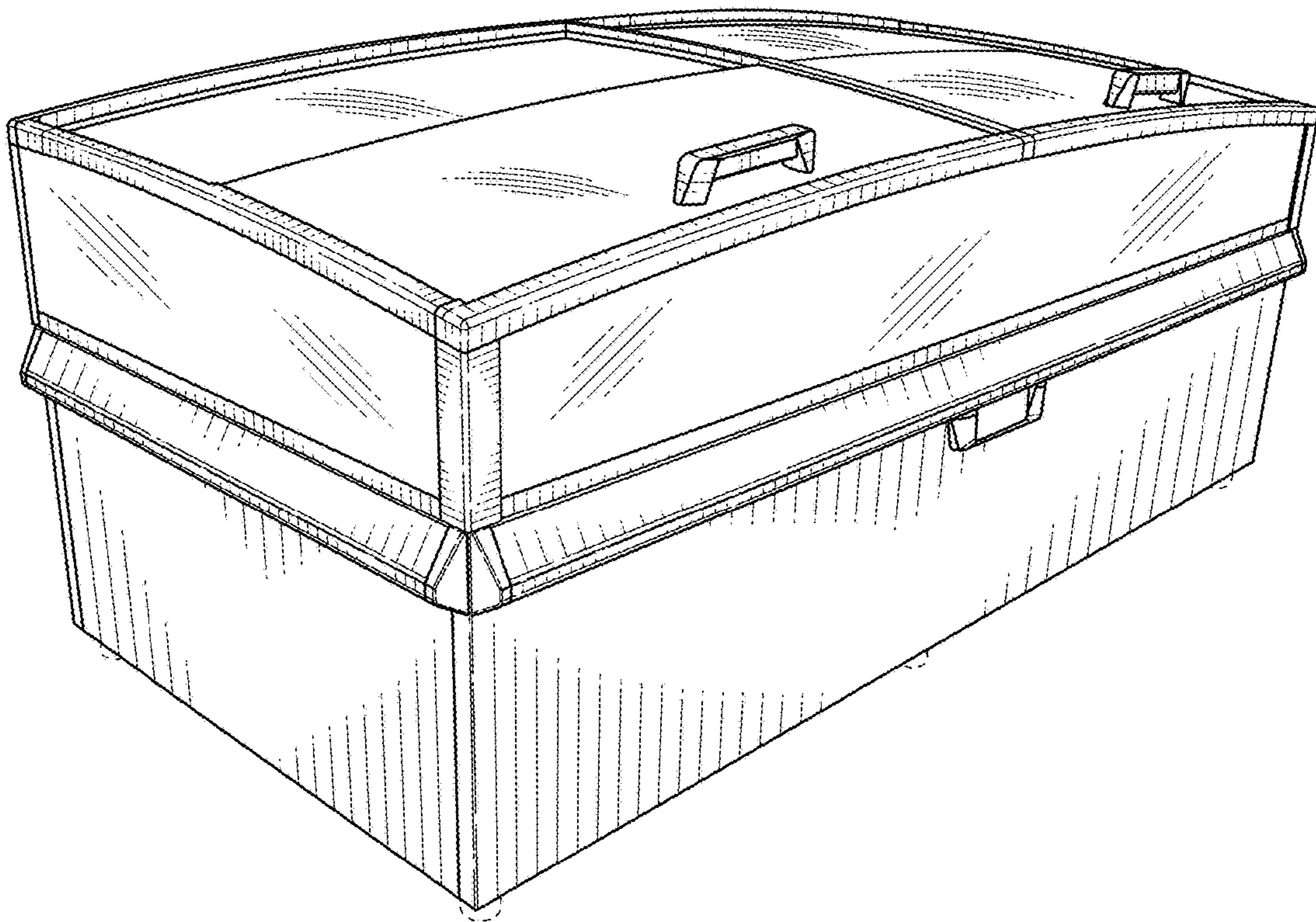


FIG. 1

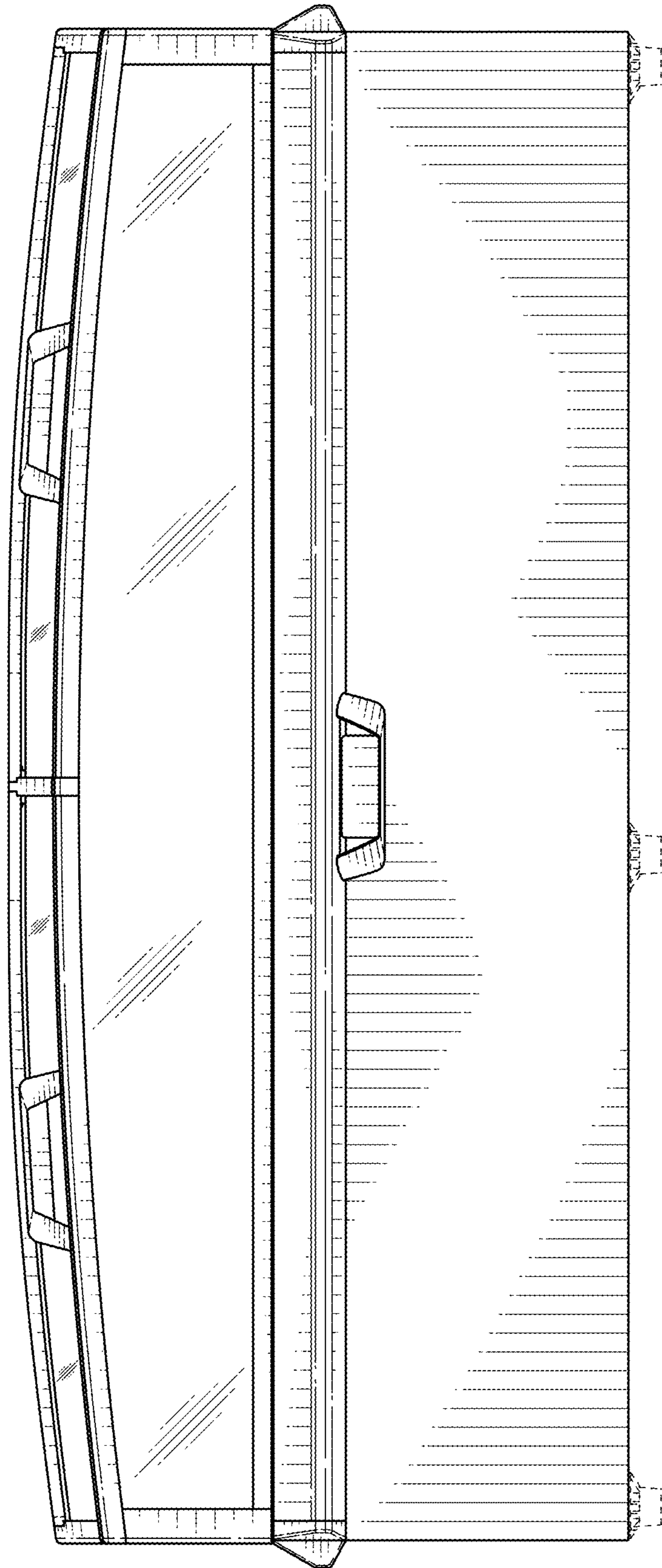


FIG. 2

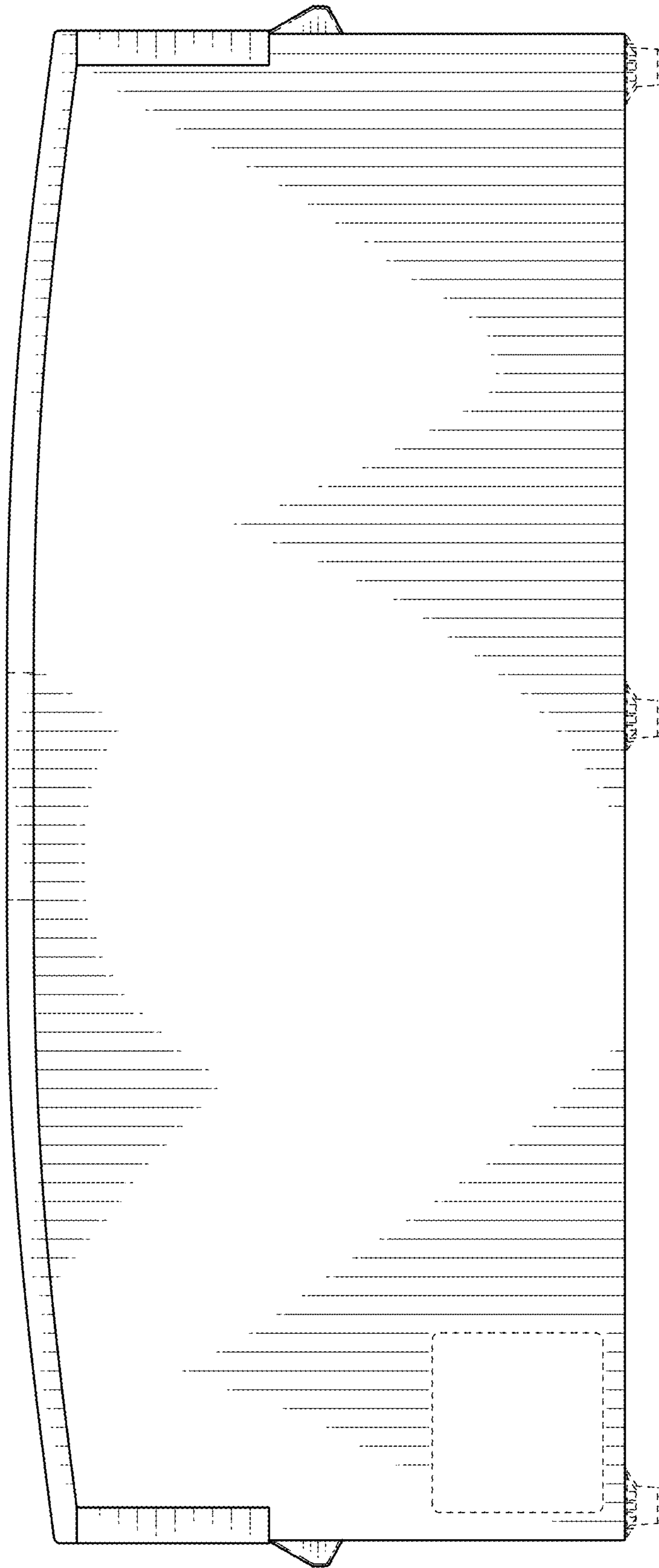


FIG. 3

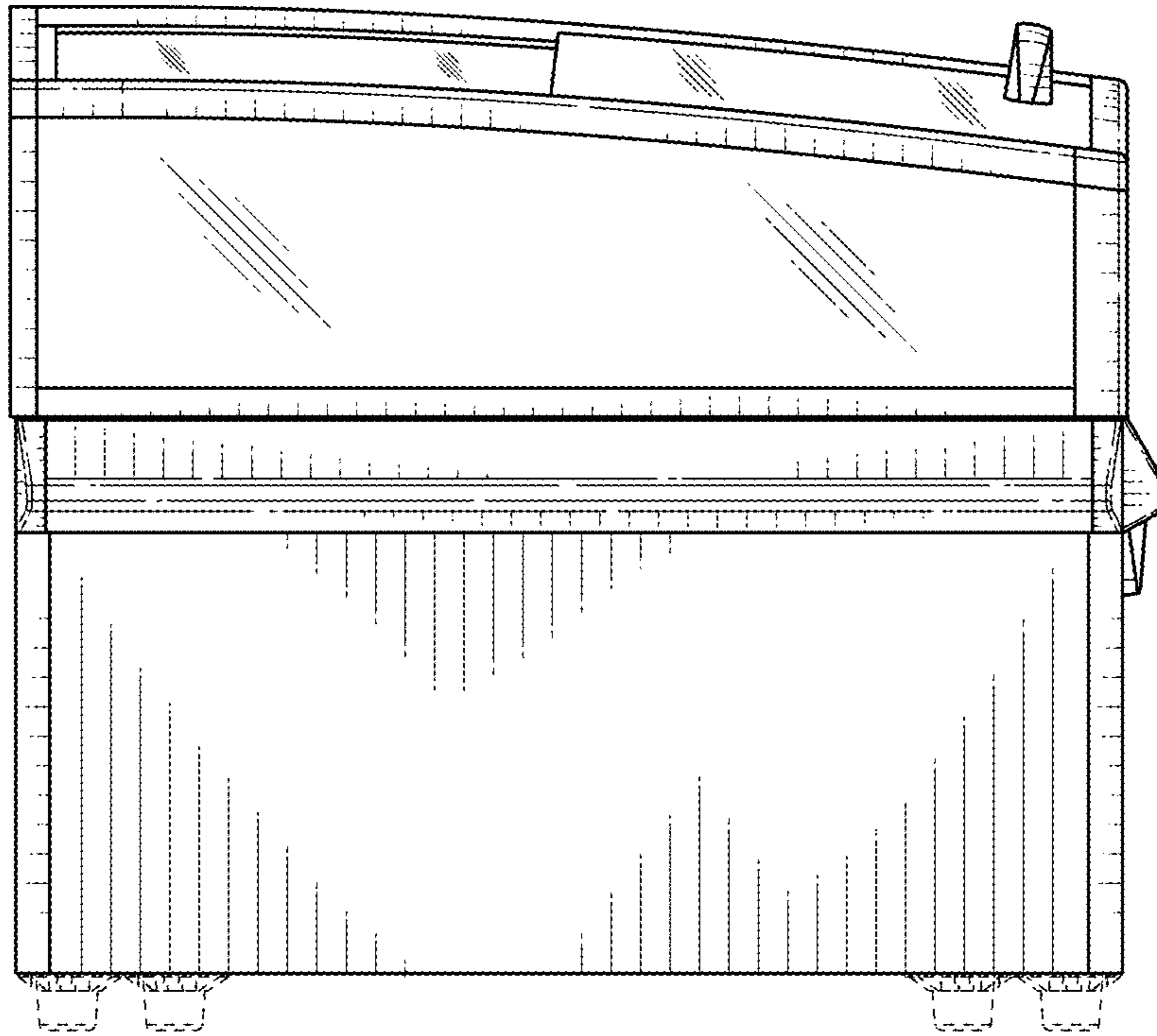


FIG. 4

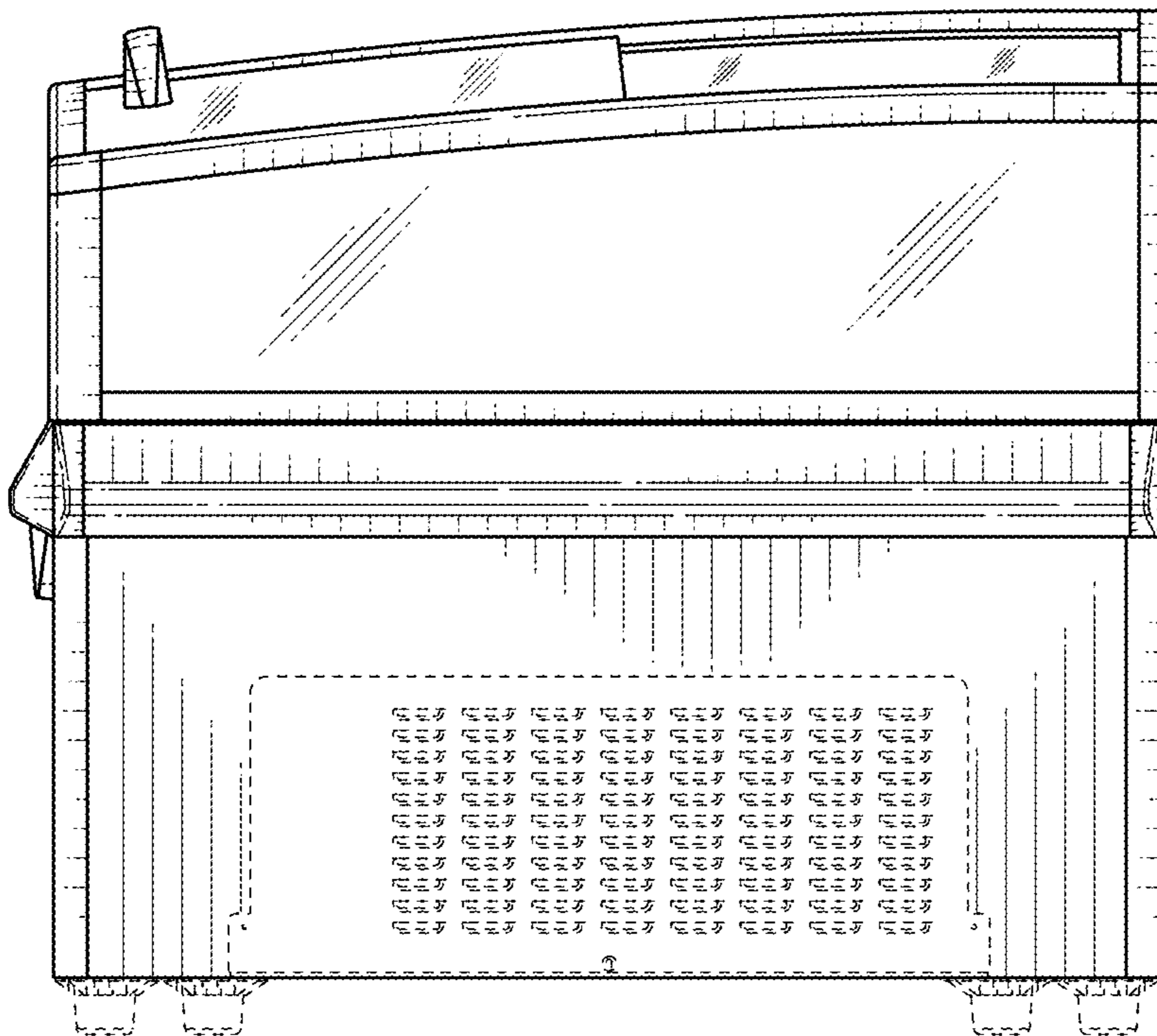


FIG. 5

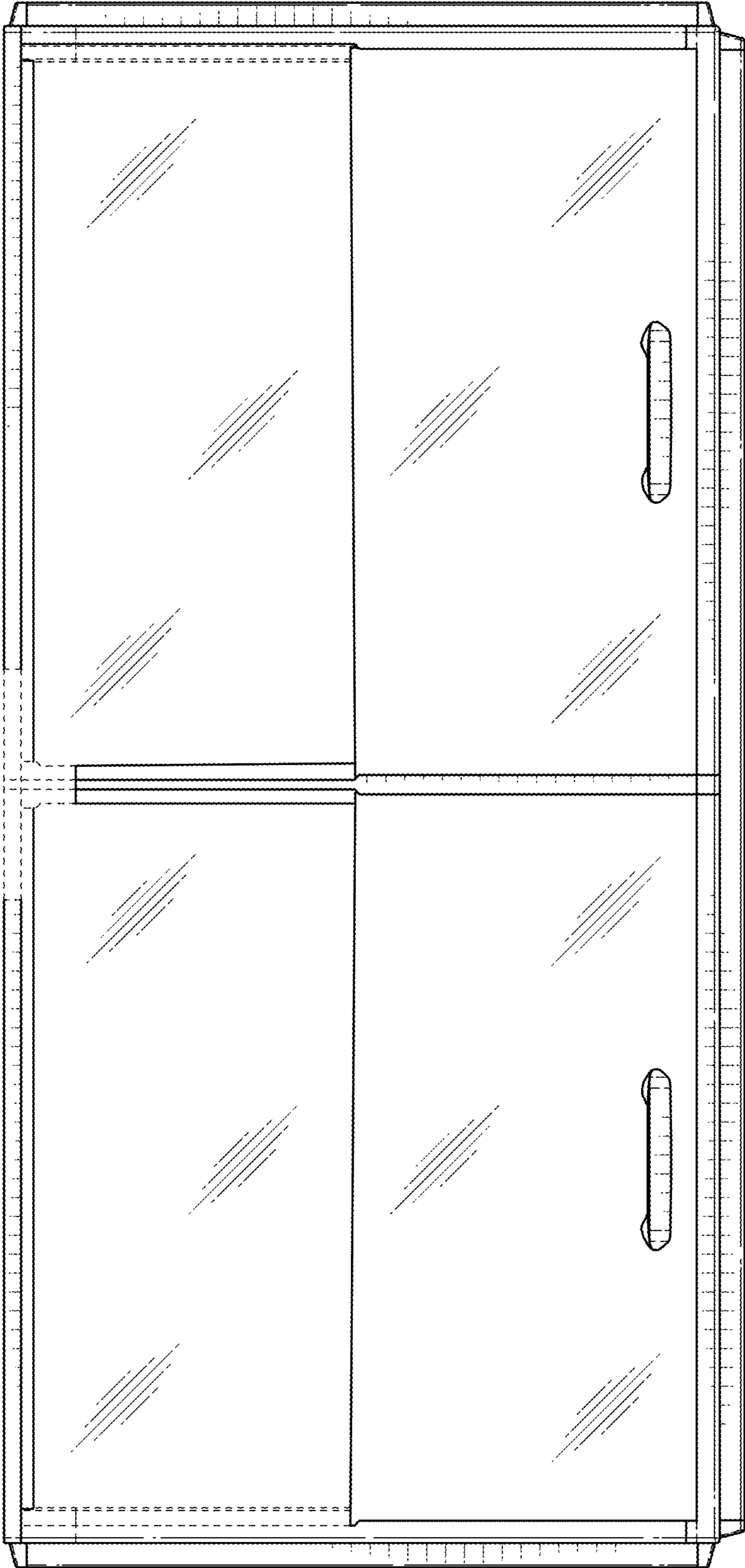


FIG. 6

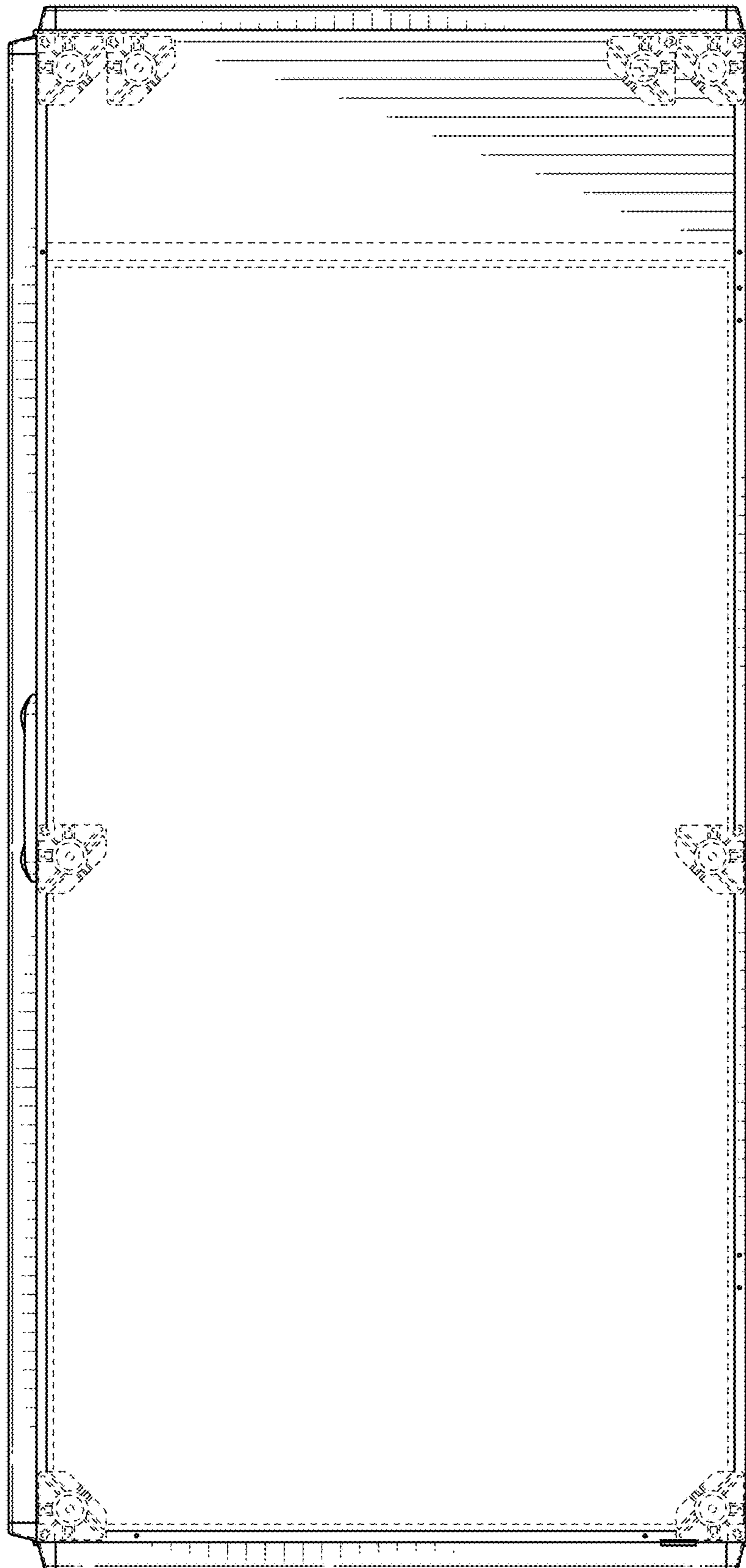


FIG. 7