

US00D826287S

(12) **United States Design Patent**  
**Johnson**

(10) **Patent No.:** **US D826,287 S**

(45) **Date of Patent:** **\*\* Aug. 21, 2018**

- (54) **ELECTRONICS CASE**
- (71) Applicant: **Caterpillar Inc.**, Peoria, IL (US)
- (72) Inventor: **Terril Johnson**, Washington, IL (US)
- (73) Assignee: **Caterpillar Inc.**, Deerfield, IL (US)
- (\*\*) Term: **15 Years**
- (21) Appl. No.: **29/580,864**
- (22) Filed: **Oct. 13, 2016**
- (51) **LOC (11) Cl.** ..... **15-03**
- (52) **U.S. Cl.**  
USPC ..... **D15/28**
- (58) **Field of Classification Search**  
USPC ..... D15/28; D13/162, 164, 168; D14/217,  
D14/396, 400; D34/34, 35; 318/700,  
318/701; 180/315, 316, 325, 19.1, 19.3,  
180/90; 361/679, 680, 690; 700/90, 160,  
700/17, 83; 296/70; 280/43.12, 752  
CPC ..... B62D 33/06; B60K 26/00; B60K 37/00  
See application file for complete search history.

(56) **References Cited**

U.S. PATENT DOCUMENTS

- D311,520 S \* 10/1990 Serio, Jr. .... D13/184
- D380,199 S \* 6/1997 Beruscha ..... D10/75
- D485,810 S \* 1/2004 Fiocchi ..... D13/184
- D513,497 S \* 1/2006 Whitehouse ..... D13/162
- D518,451 S \* 4/2006 Nussberger ..... D13/184
- D550,167 S \* 9/2007 Popa ..... D13/164
- D558,685 S \* 1/2008 Peterson ..... D13/162
- D587,286 S \* 2/2009 Jurasz ..... D15/28
- D590,122 S \* 4/2009 Shaw ..... D34/35
- D596,175 S \* 7/2009 Viertola ..... D14/314
- D627,799 S \* 11/2010 Berning ..... D15/28
- D627,800 S \* 11/2010 Berning ..... D15/28
- D627,801 S \* 11/2010 Berning ..... D15/28
- D650,815 S \* 12/2011 Pellervo Viertola ..... D15/28

- D651,220 S \* 12/2011 Ohtonen ..... D15/28
- D659,343 S \* 5/2012 Saitou ..... D15/28
- D659,939 S \* 5/2012 Saitou ..... D15/28
- D685,397 S \* 7/2013 Anderson ..... D15/28
- D685,398 S \* 7/2013 Graham ..... D15/28
- D689,443 S \* 9/2013 Ewringmann ..... D13/164
- D690,325 S \* 9/2013 Scott ..... D15/28
- D690,326 S \* 9/2013 Scott ..... D15/28
- D706,308 S \* 6/2014 Takahashi ..... D15/28
- D709,046 S \* 7/2014 Broadbent ..... D14/142
- D710,398 S \* 8/2014 Oeder ..... D15/28
- D710,399 S \* 8/2014 Oeder ..... D15/28
- D710,400 S \* 8/2014 Oeder ..... D15/28
- D715,798 S \* 10/2014 De La Cruz ..... D14/371
- D716,298 S \* 10/2014 De La Cruz ..... D14/371
- D721,740 S \* 1/2015 Schmaltz ..... D15/28
- D731,560 S \* 6/2015 Schmaltz ..... D15/28
- D761,327 S \* 7/2016 Schmaltz ..... D15/28
- D762,642 S \* 8/2016 Johnson ..... D14/341
- D763,929 S \* 8/2016 Schmaltz ..... D15/28

(Continued)

*Primary Examiner* — Mark Goodwin

(74) *Attorney, Agent, or Firm* — Saidman Design Law Group

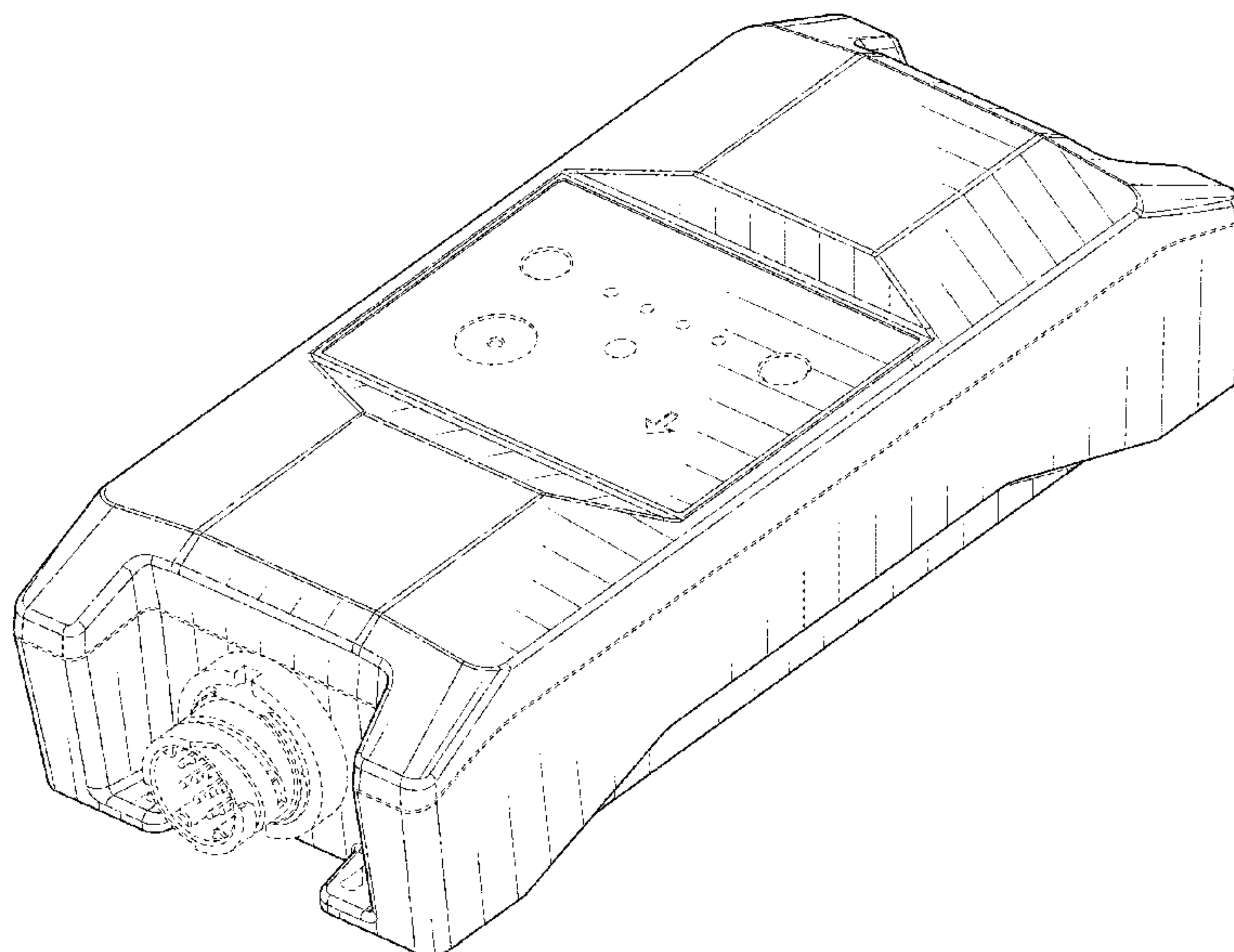
(57) **CLAIM**

The ornamental design for an electronics case, as shown and described.

**DESCRIPTION**

FIG. 1 is a perspective view of an electronics case showing my new design;  
 FIG. 2 is a front view thereof;  
 FIG. 3 is a rear view thereof;  
 FIG. 4 is a left side view thereof;  
 FIG. 5 is a right side view thereof;  
 FIG. 6 is a top view thereof; and,  
 FIG. 7 is a bottom view thereof.  
 The broken lines illustrate structure or features which form no part of the claimed design.

**1 Claim, 5 Drawing Sheets**



(56)

**References Cited**

U.S. PATENT DOCUMENTS

D786,314 S	*	5/2017	Okuyama	.....	D15/28
D800,075 S	*	10/2017	Cooksey	.....	D13/162
D801,968 S	*	11/2017	Johnson	.....	D14/371
D811,444 S	*	2/2018	Chia	.....	D15/28
D811,445 S	*	2/2018	Chia	.....	D15/28
D811,446 S	*	2/2018	Chia	.....	D15/28
D811,447 S	*	2/2018	Schauf	.....	D15/28

\* cited by examiner

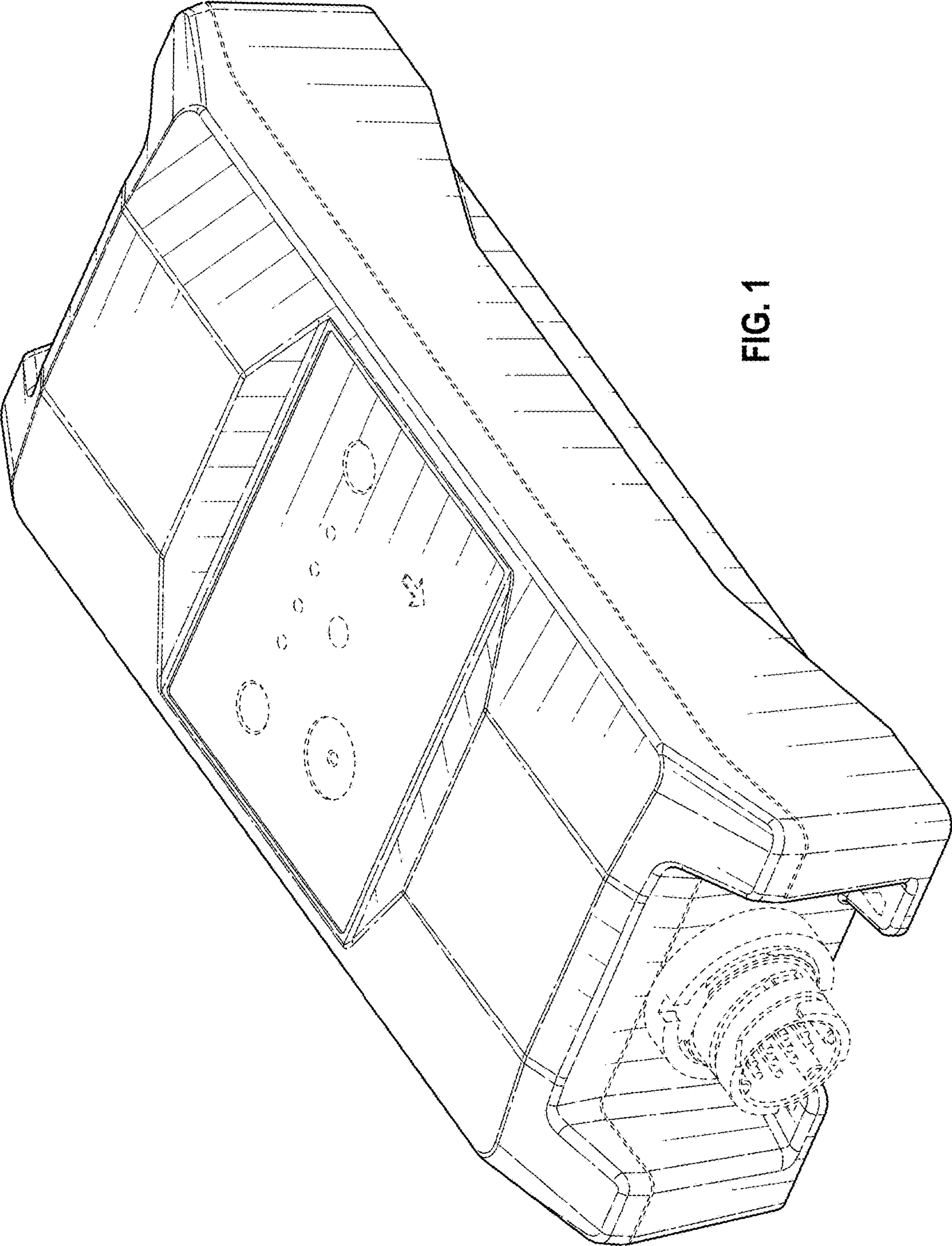


FIG. 1

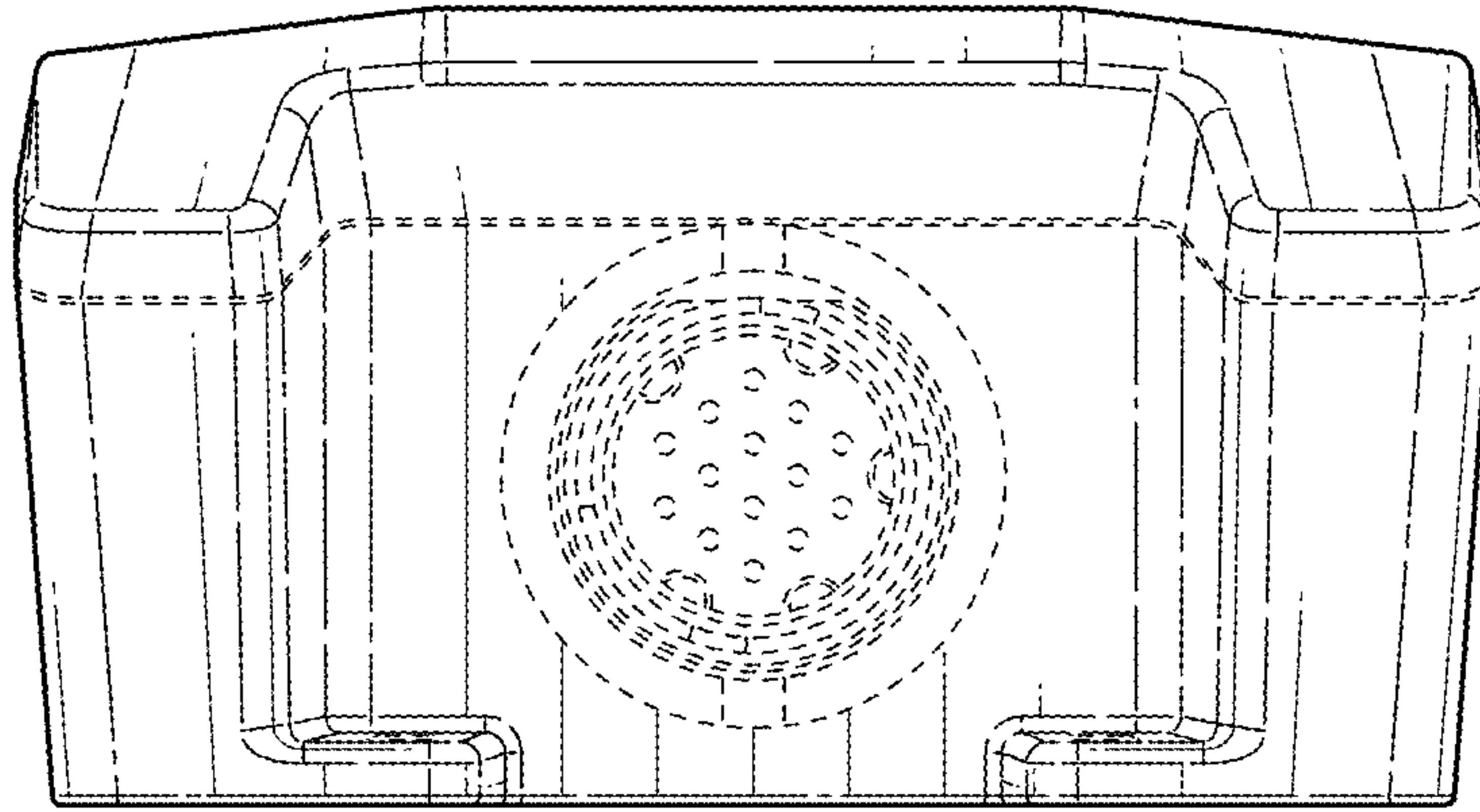


FIG. 2

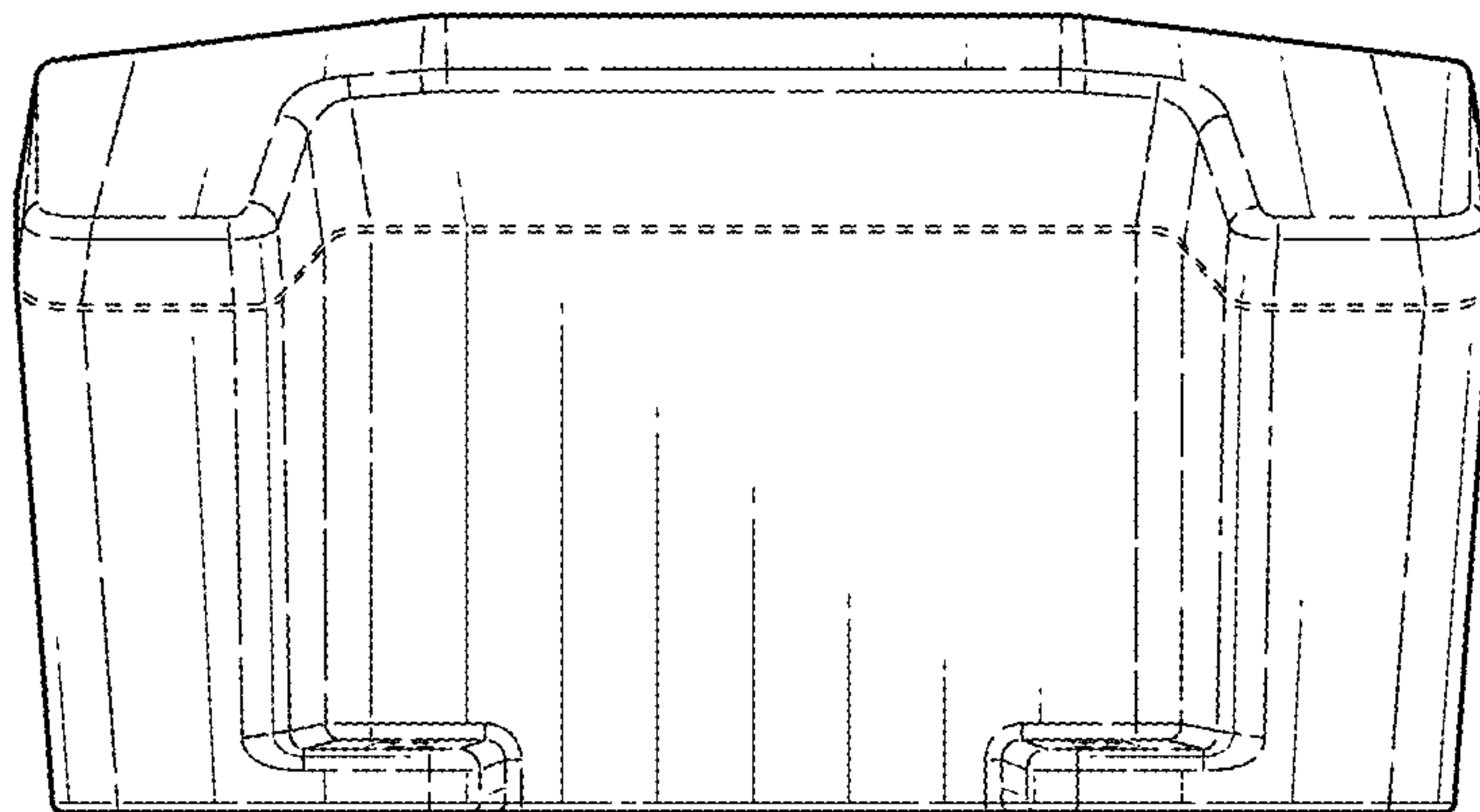


FIG. 3



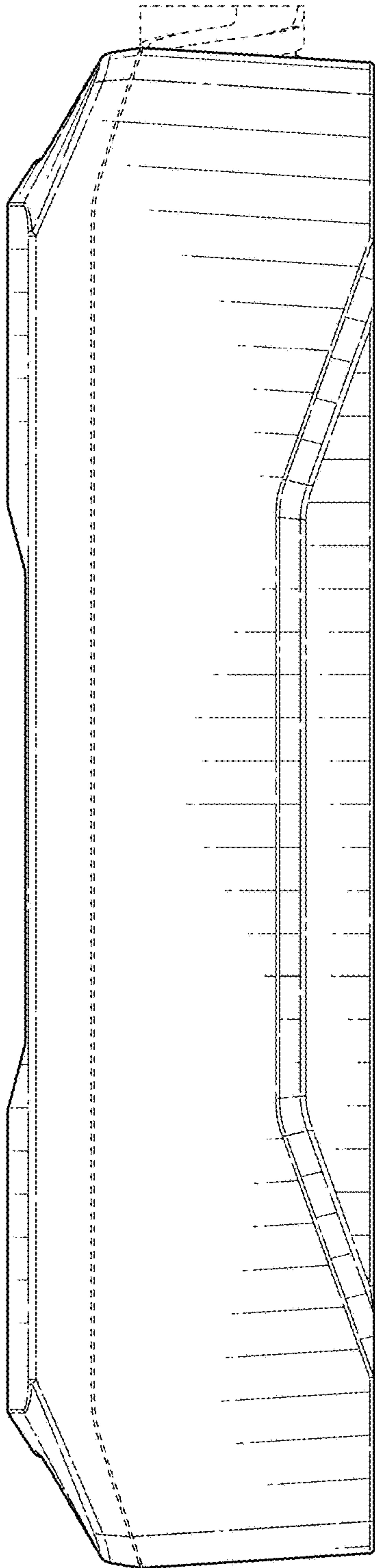


FIG. 4

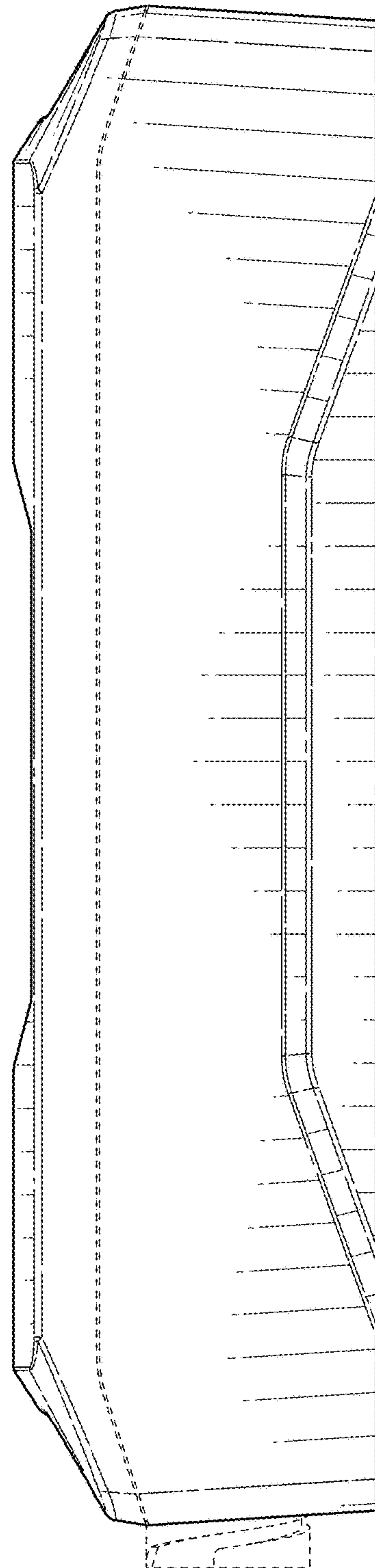


FIG. 5

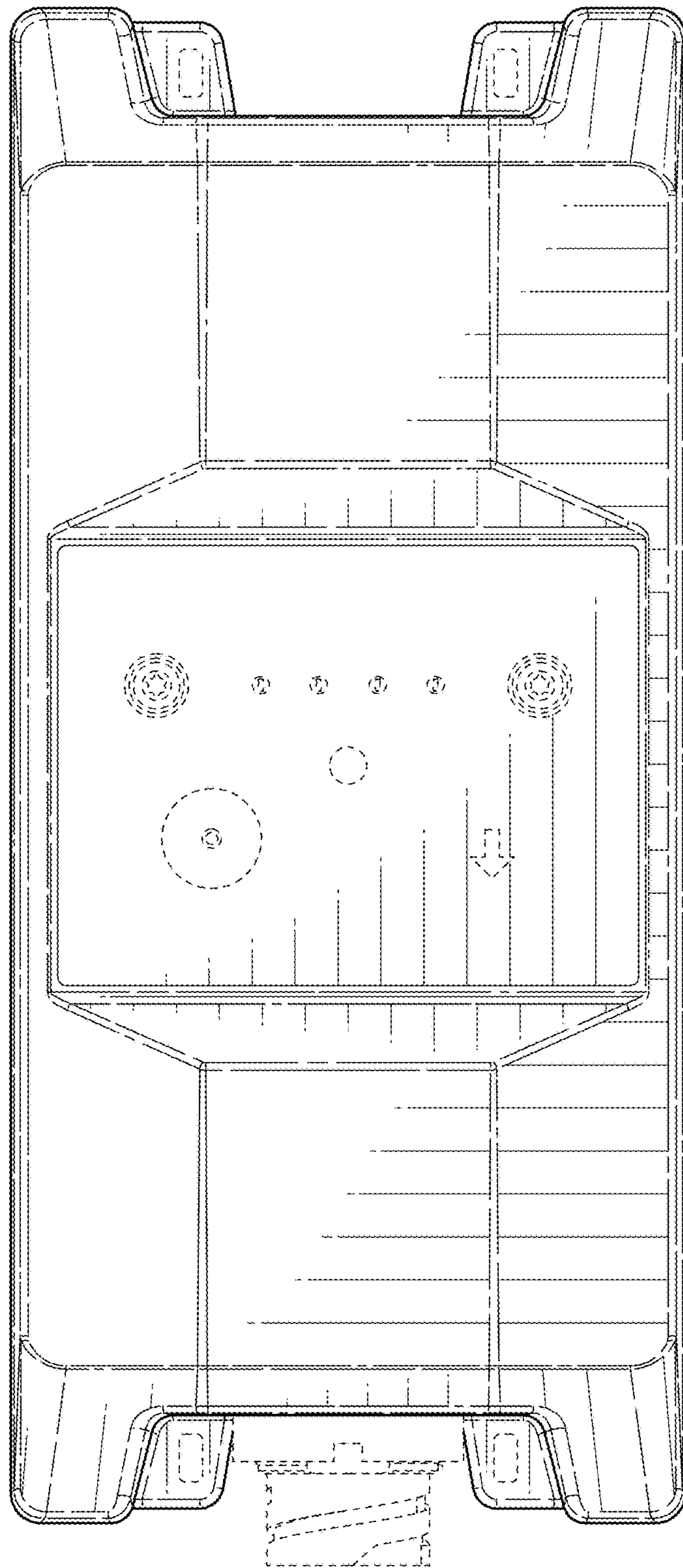


FIG. 6

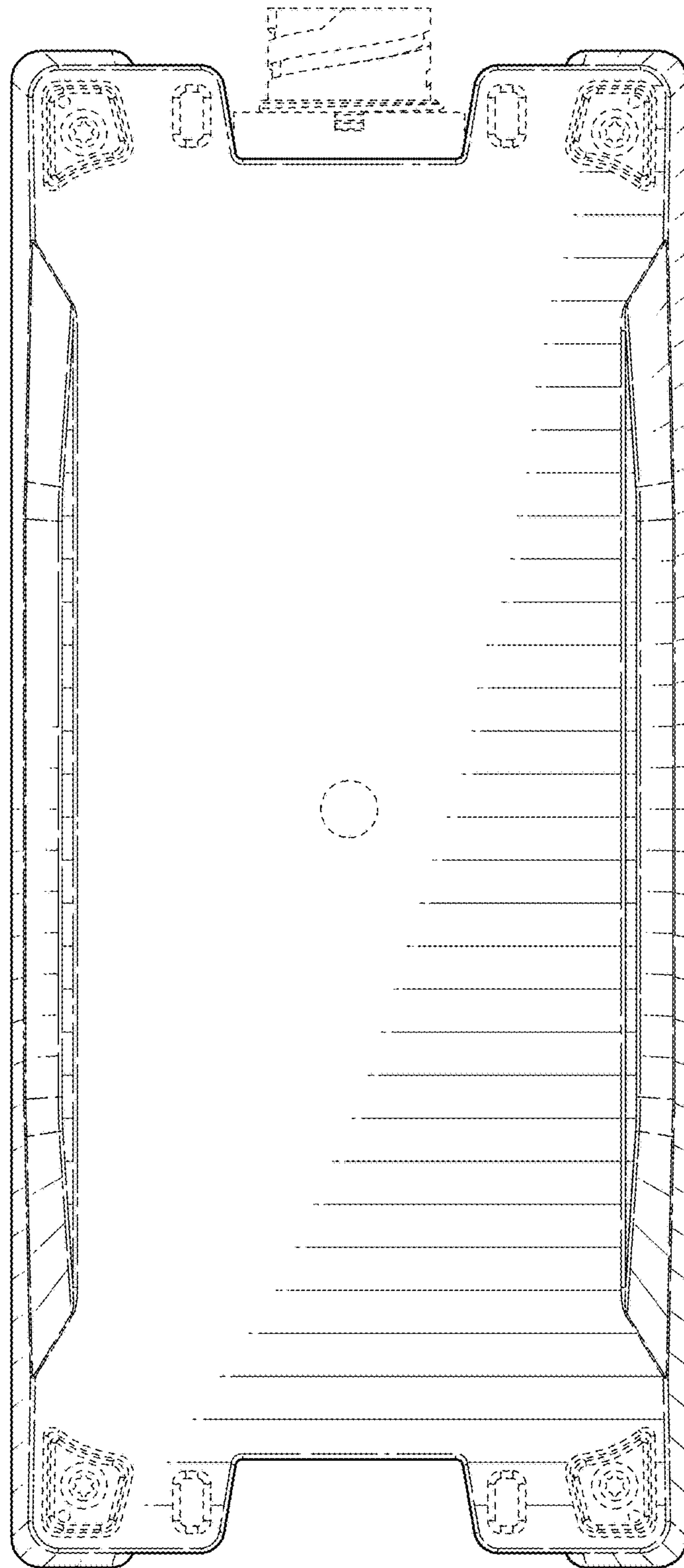


FIG. 7