

US00D826285S

(12) **United States Design Patent**  
**Yaegashi**

(10) **Patent No.:** **US D826,285 S**

(45) **Date of Patent:** **\*\* Aug. 21, 2018**

(54) **FLUID PRESSURE CYLINDER**

(71) Applicant: **SMC CORPORATION**, Tokyo (JP)

(72) Inventor: **Makoto Yaegashi**, Tsukubamirai (JP)

(73) Assignee: **SMC CORPORATION**, Tokyo (JP)

(\*\*) Term: **15 Years**

(21) Appl. No.: **29/602,091**

(22) Filed: **Apr. 28, 2017**

(30) **Foreign Application Priority Data**

Oct. 31, 2016 (CN) ..... 2016 3 0520190

(51) **LOC (11) Cl.** ..... **15-02**

(52) **U.S. Cl.**  
USPC ..... **D15/9**

(58) **Field of Classification Search**

USPC ..... D15/7-9, 143, 148; D23/231, 232, 225;  
417/60, 235, 265, 321, 355, 358, 363,  
(Continued)

(56) **References Cited**

**U.S. PATENT DOCUMENTS**

5,477,774 A \* 12/1995 Ikumi ..... F15B 15/1428  
92/161

D370,683 S \* 6/1996 Stahlman ..... D15/7  
(Continued)

**FOREIGN PATENT DOCUMENTS**

JP 1444539 S 6/2012  
JP 1444540 S 6/2012  
JP 1520205-5 3/2015

*Primary Examiner* — Ralf Seifert

(74) *Attorney, Agent, or Firm* — Birch, Stewart, Kolasch  
& Birch, LLP

(57) **CLAIM**

The ornamental design for a fluid pressure cylinder, as shown.

**DESCRIPTION**

FIG. 1 is a front, top and left side perspective view of a fluid pressure cylinder showing a first embodiment of my new design;

FIG. 2 is a front, bottom and right side perspective view thereof;

FIG. 3 is a front view thereof;

FIG. 4 is a rear view thereof;

FIG. 5 is a top plan view thereof;

FIG. 6 is a bottom plan view thereof;

FIG. 7 is a left side view thereof;

FIG. 8 is a right side view thereof;

FIG. 9 is a front, top and left side perspective view of a fluid pressure cylinder showing a second embodiment of my new design;

FIG. 10 is a front, bottom and right side perspective view of FIG. 9;

FIG. 11 is a front view of FIG. 9;

FIG. 12 is a rear view of FIG. 9;

FIG. 13 is a top plan view of FIG. 9;

FIG. 14 is a bottom plan view of FIG. 9;

FIG. 15 is a left side view of FIG. 9;

FIG. 16 is a right side view of FIG. 9;

FIG. 17 is a front, top and left side perspective view of a fluid pressure cylinder showing a third embodiment of my new design;

FIG. 18 is a front, bottom and right side perspective view of FIG. 17;

FIG. 19 is a front view of FIG. 17;

FIG. 20 is a rear view of FIG. 17;

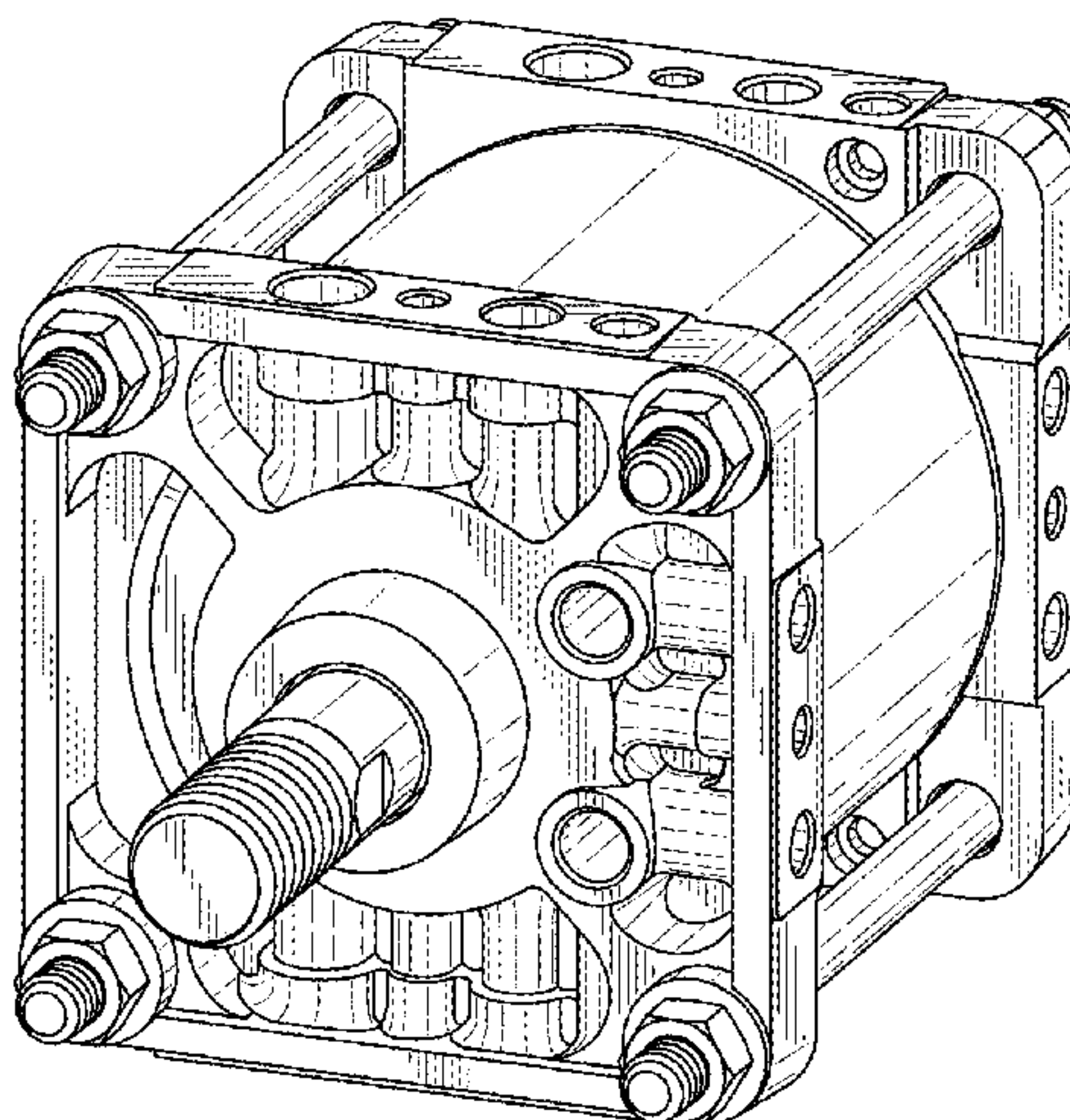
FIG. 21 is a top plan view of FIG. 17;

FIG. 22 is a bottom plan view of FIG. 17;

FIG. 23 is a left side view of FIG. 17; and,

FIG. 24 is a right side view of FIG. 17.

**1 Claim, 24 Drawing Sheets**



(58) **Field of Classification Search**

USPC .... 417/359, 410.1, 415-416, 405, 900, 269,  
417/539; 60/408, 412; 184/26-37;  
415/140-147; 123/495, 509; 137/565.34;  
92/161

CPC ..... F02M 37/04; F02M 37/14; F04B 53/92;  
F04B 1/005; F04D 13/06; F04D 29/22;  
F04D 29/046; F04D 29/2266; F01B 29/00

See application file for complete search history.

(56) **References Cited**

U.S. PATENT DOCUMENTS

7,032,501 B2 \* 4/2006 Boertje ..... F15B 15/20  
92/161  
D572,282 S \* 7/2008 Yaegashi ..... D15/143  
D584,324 S \* 1/2009 Yaegashi ..... D15/143  
D669,097 S 10/2012 Hariwara  
D669,098 S 10/2012 Hariwara  
D760,805 S 7/2016 Monden  
D772,302 S \* 11/2016 Kudo ..... D15/7  
D780,228 S \* 2/2017 Kudo ..... D15/7  
D780,229 S \* 2/2017 Kudo ..... D15/7  
D805,560 S \* 12/2017 Kudo ..... D15/7

\* cited by examiner

FIG. 1

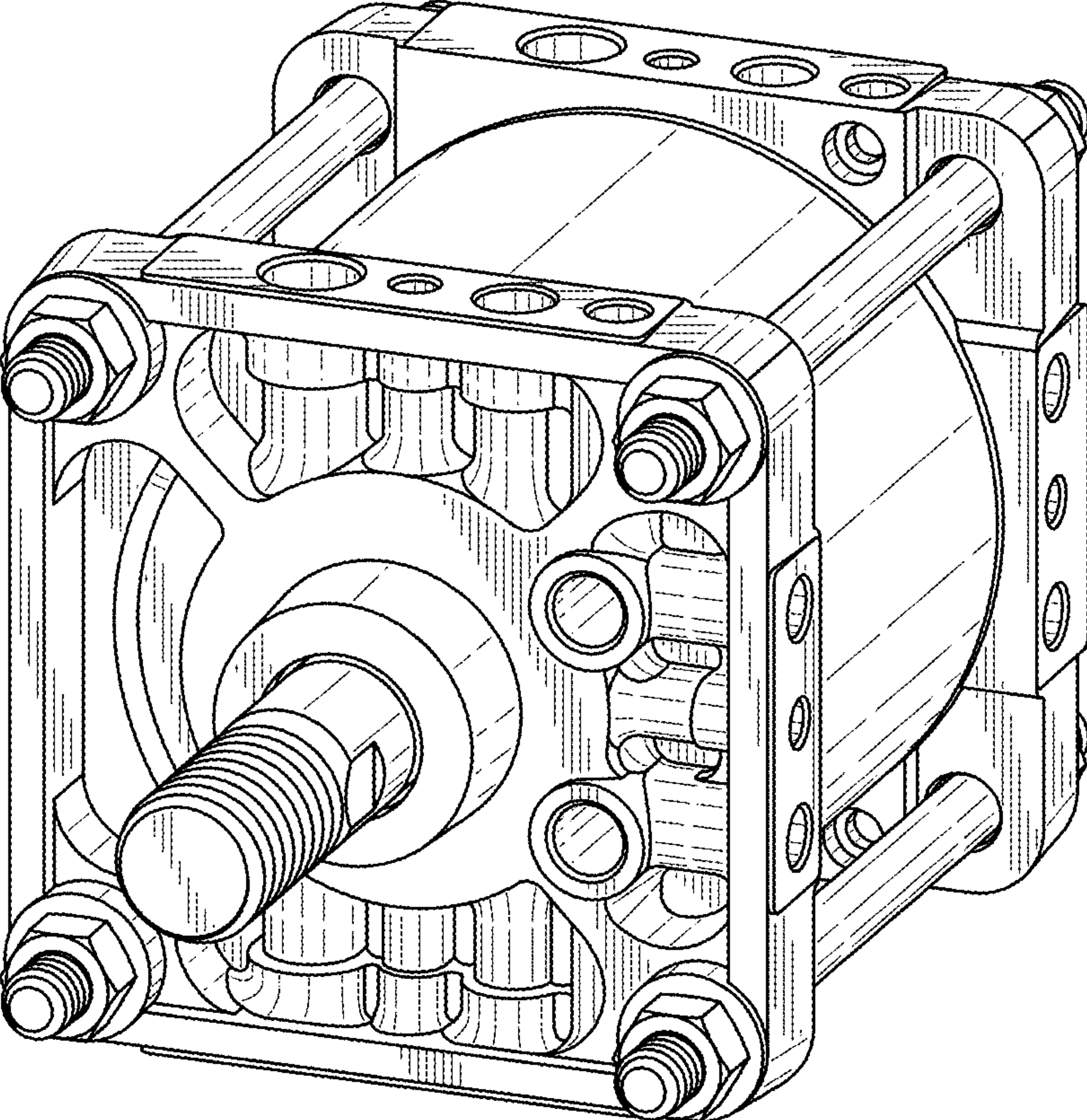




FIG. 2

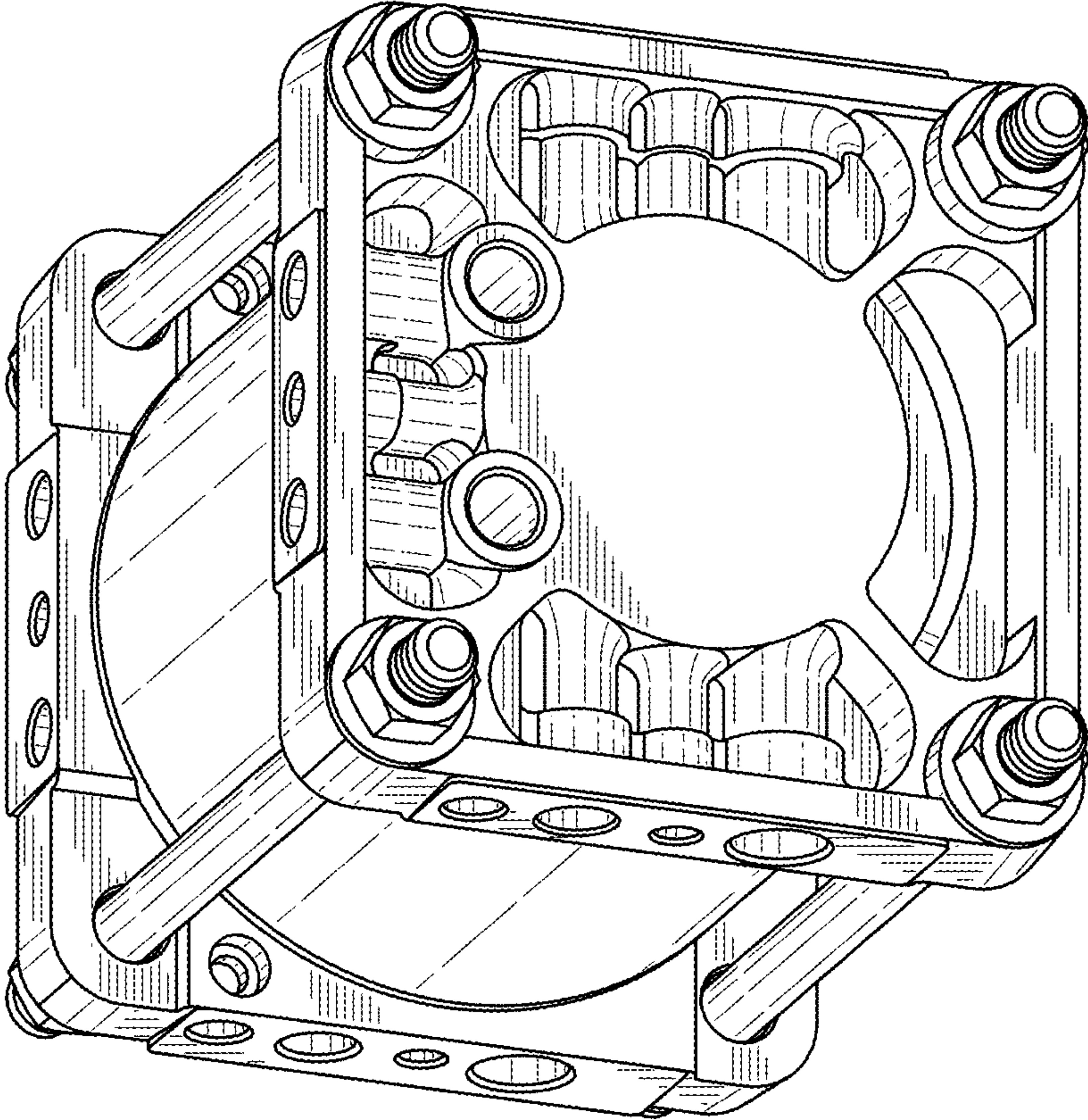


FIG. 3

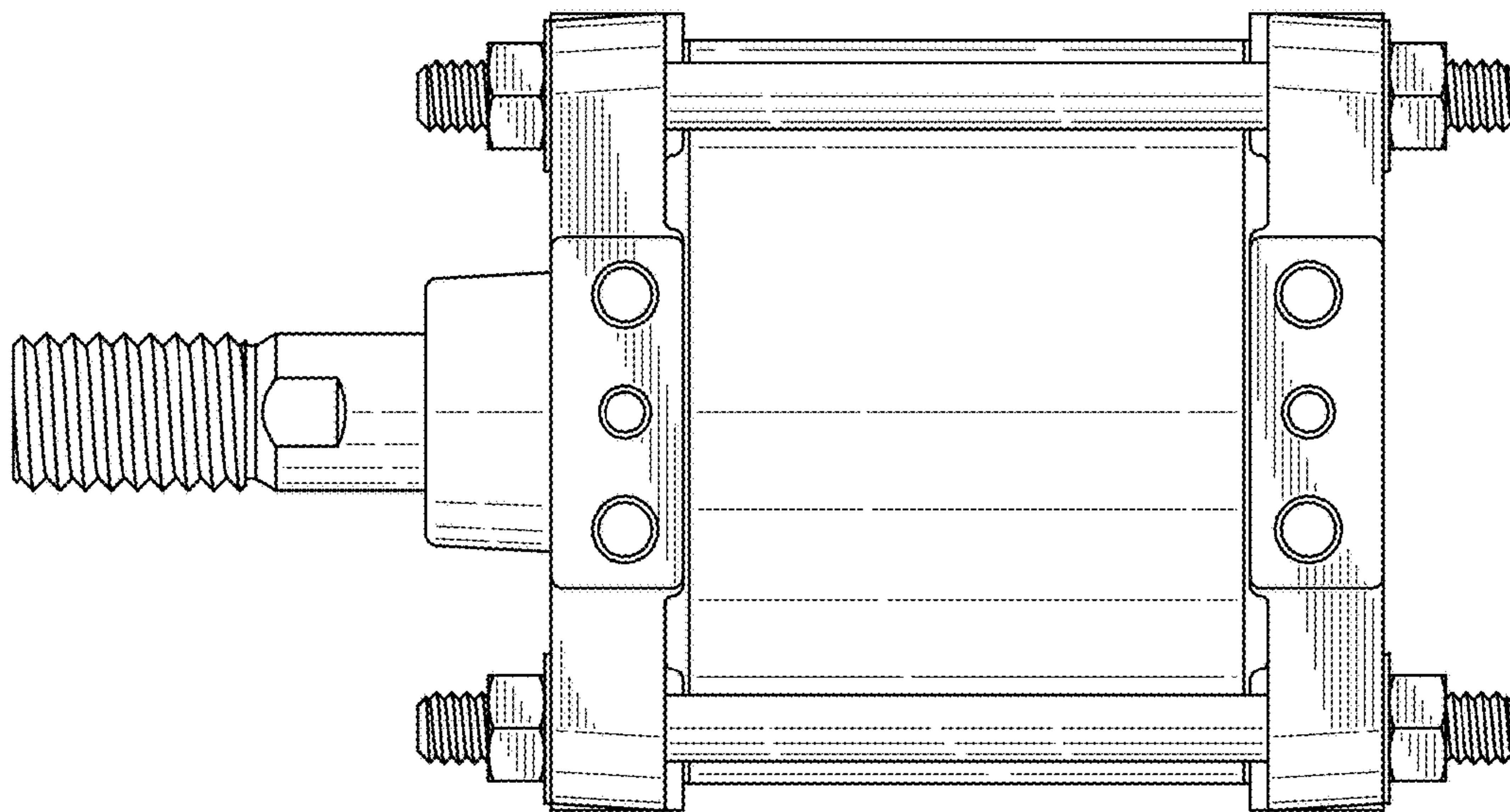


FIG. 4

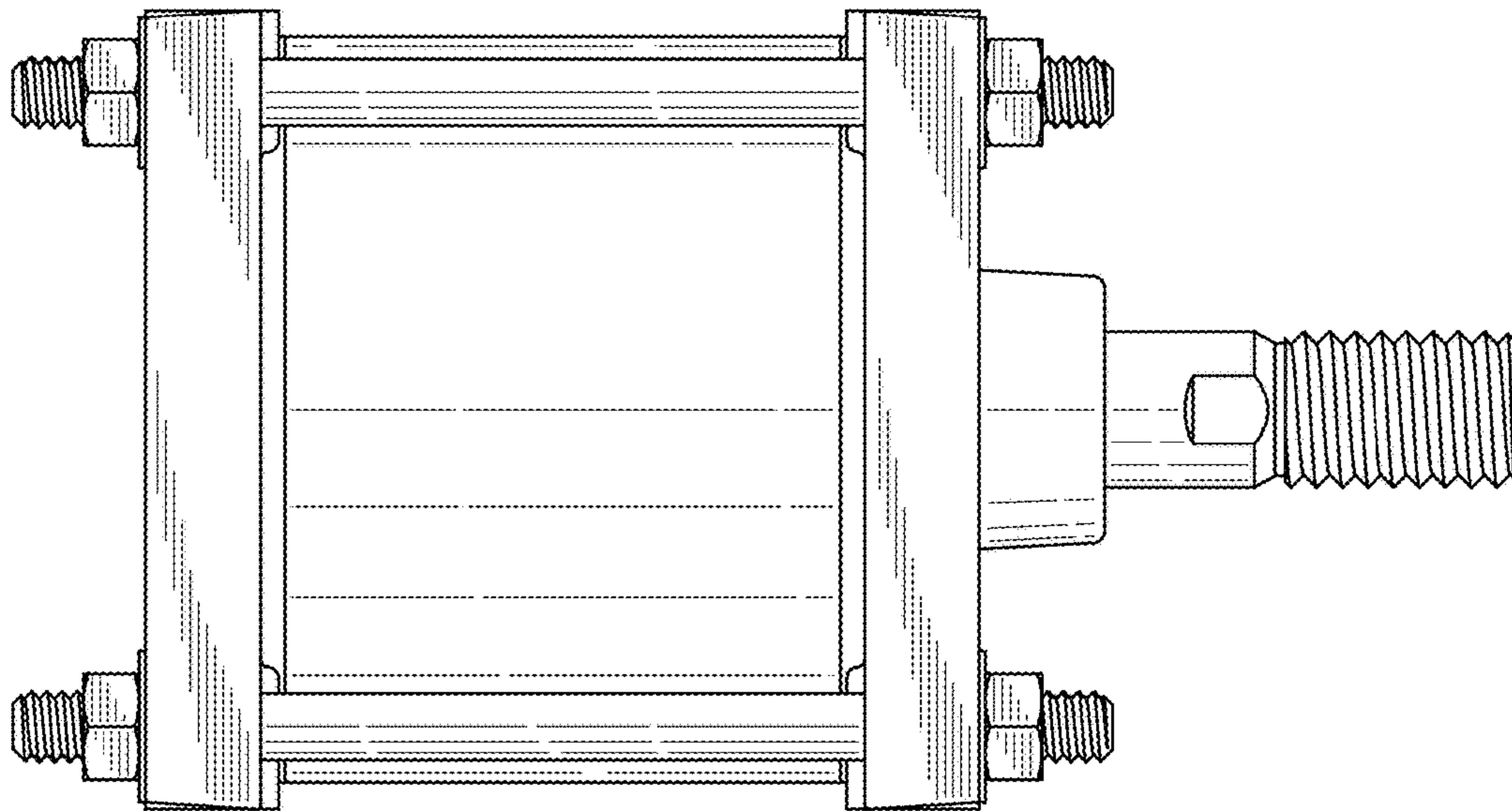


FIG. 5

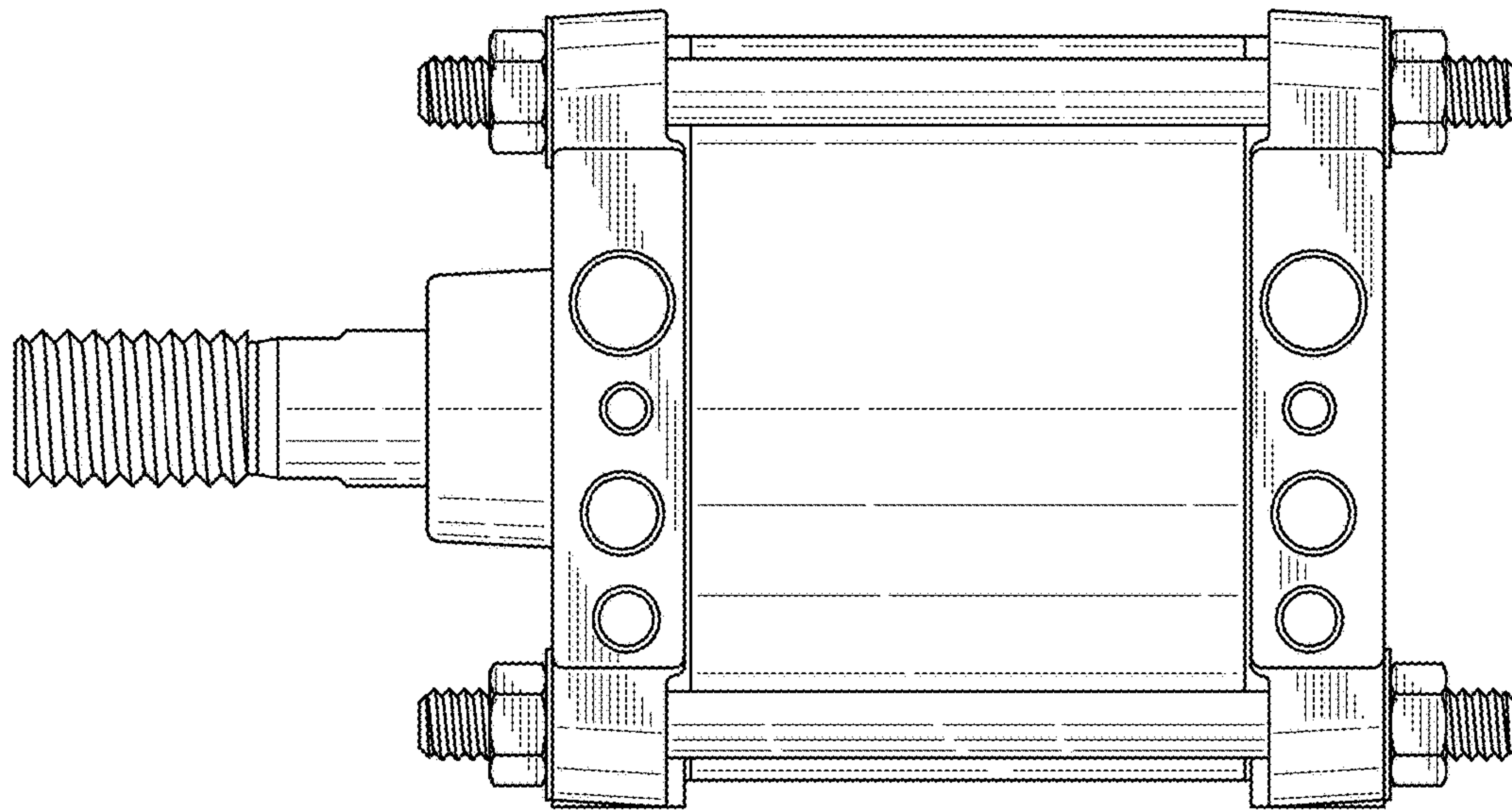


FIG. 6

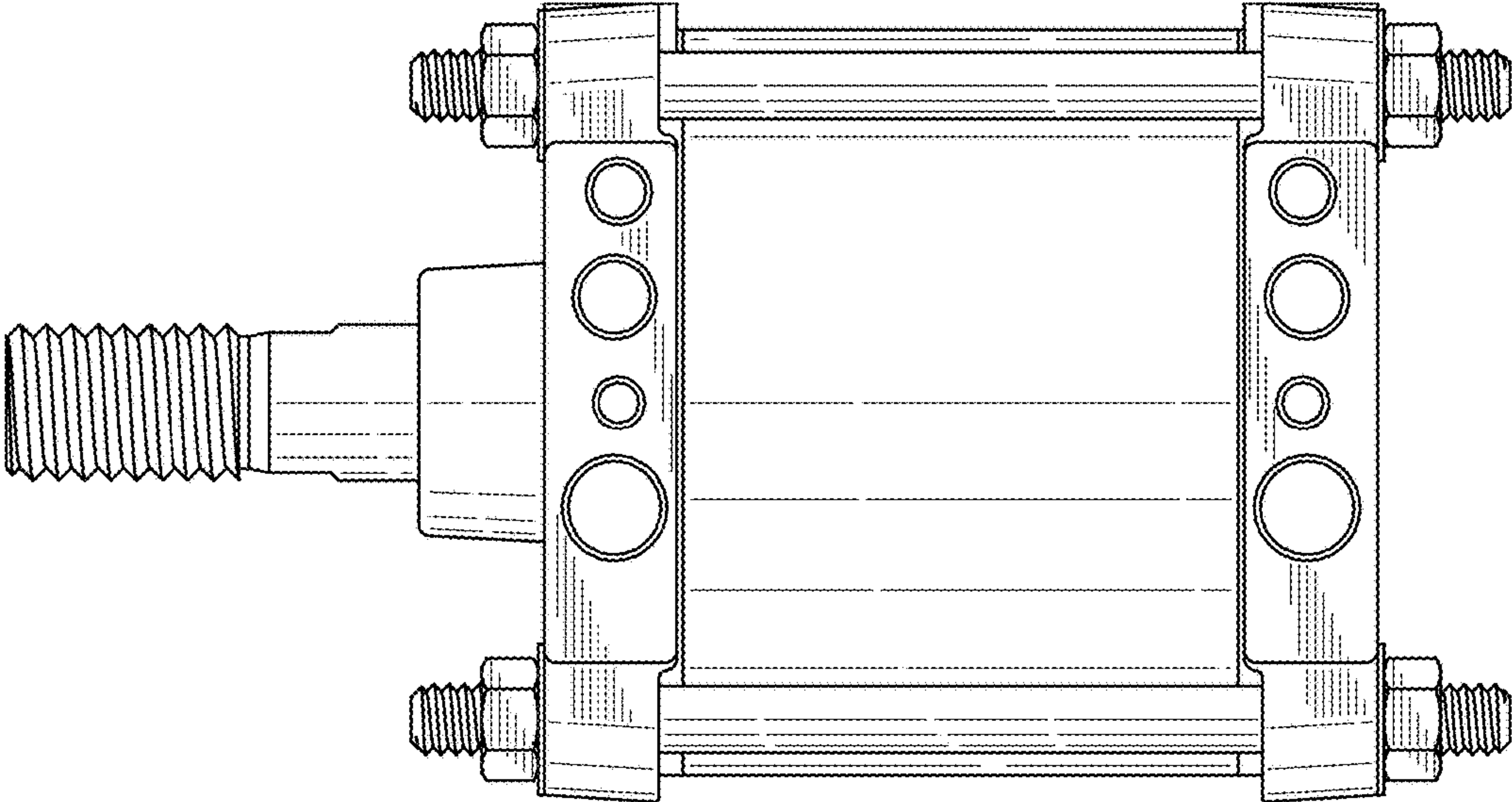




FIG. 7

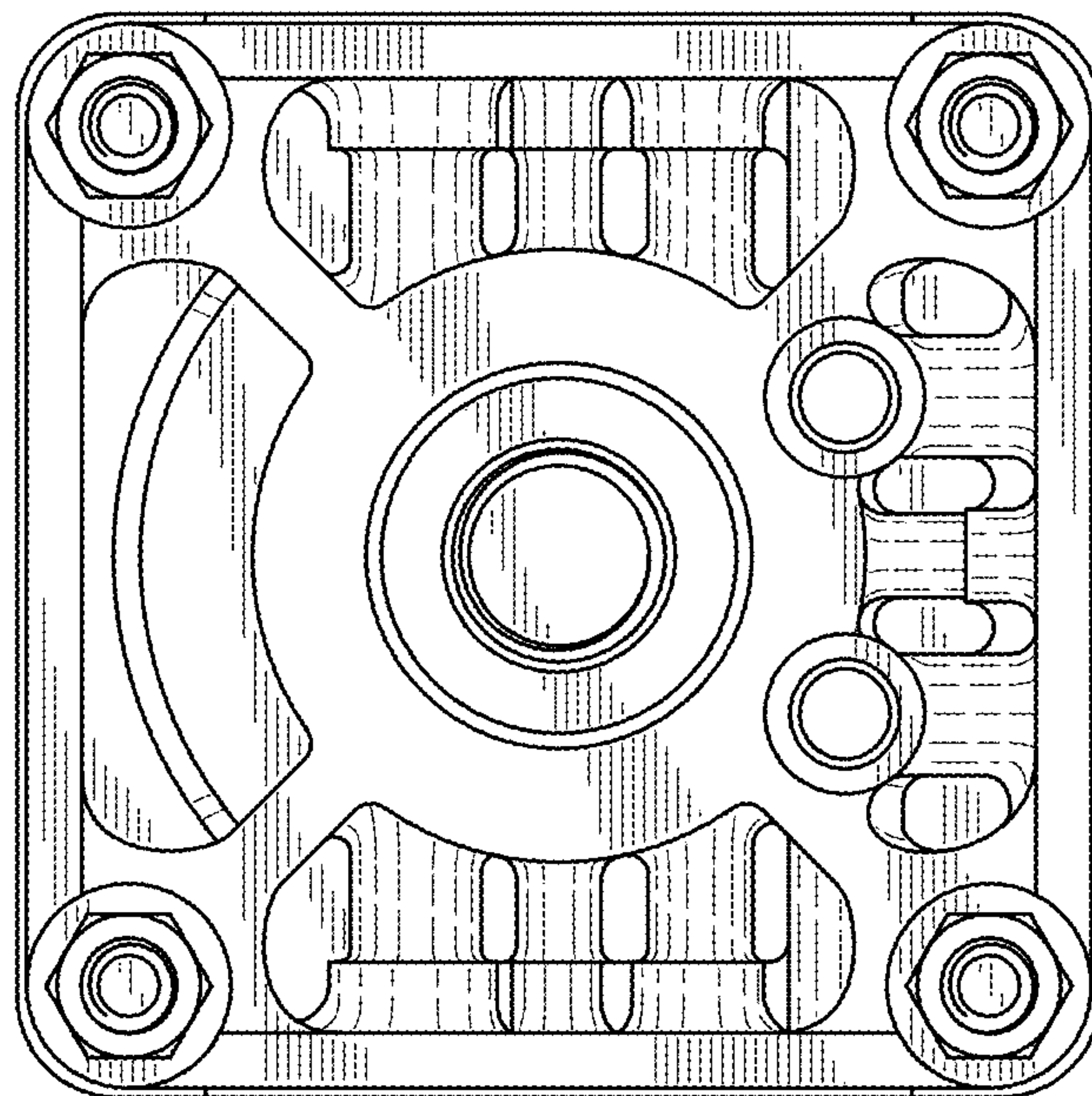


FIG. 8

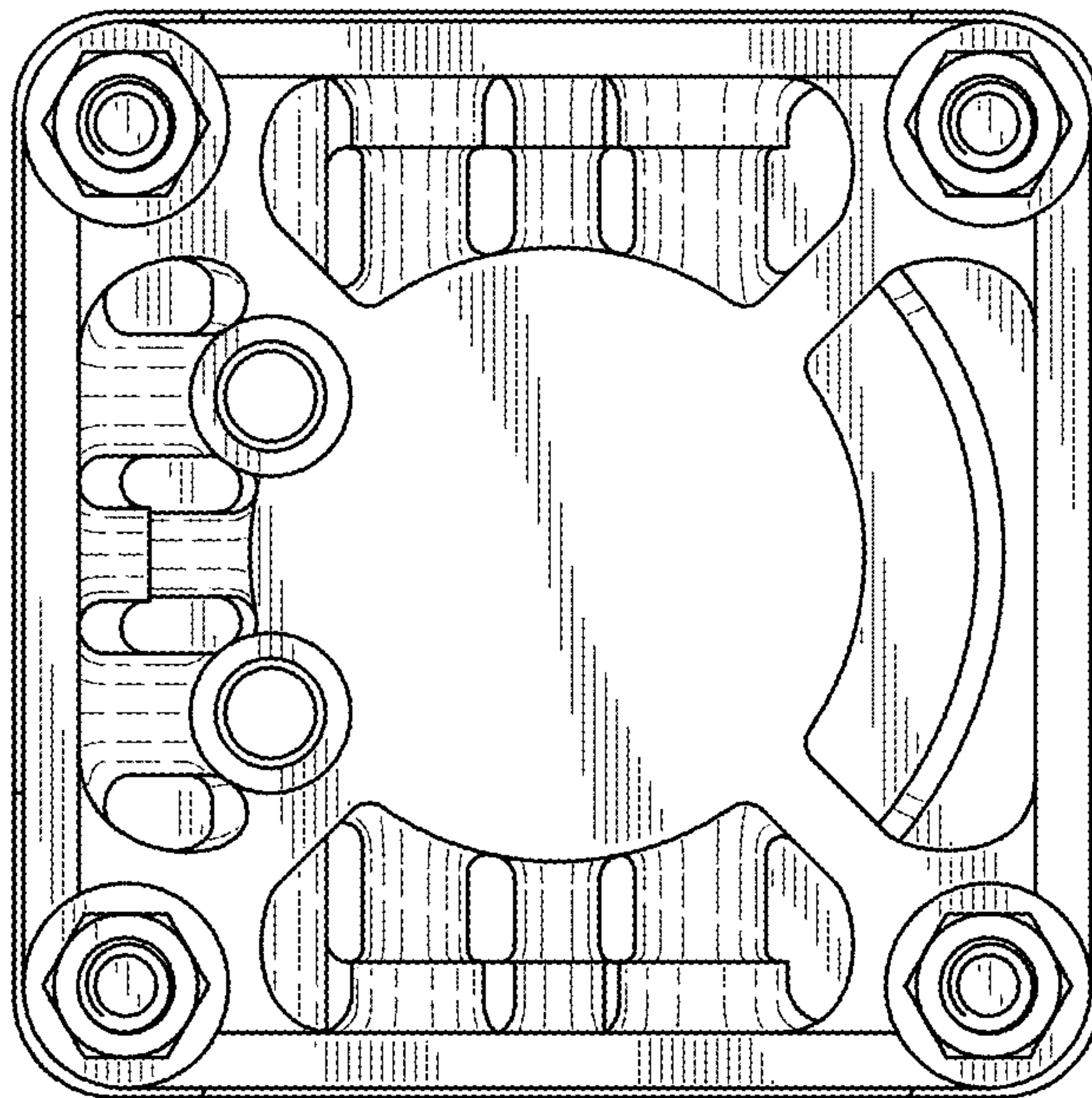


FIG. 9

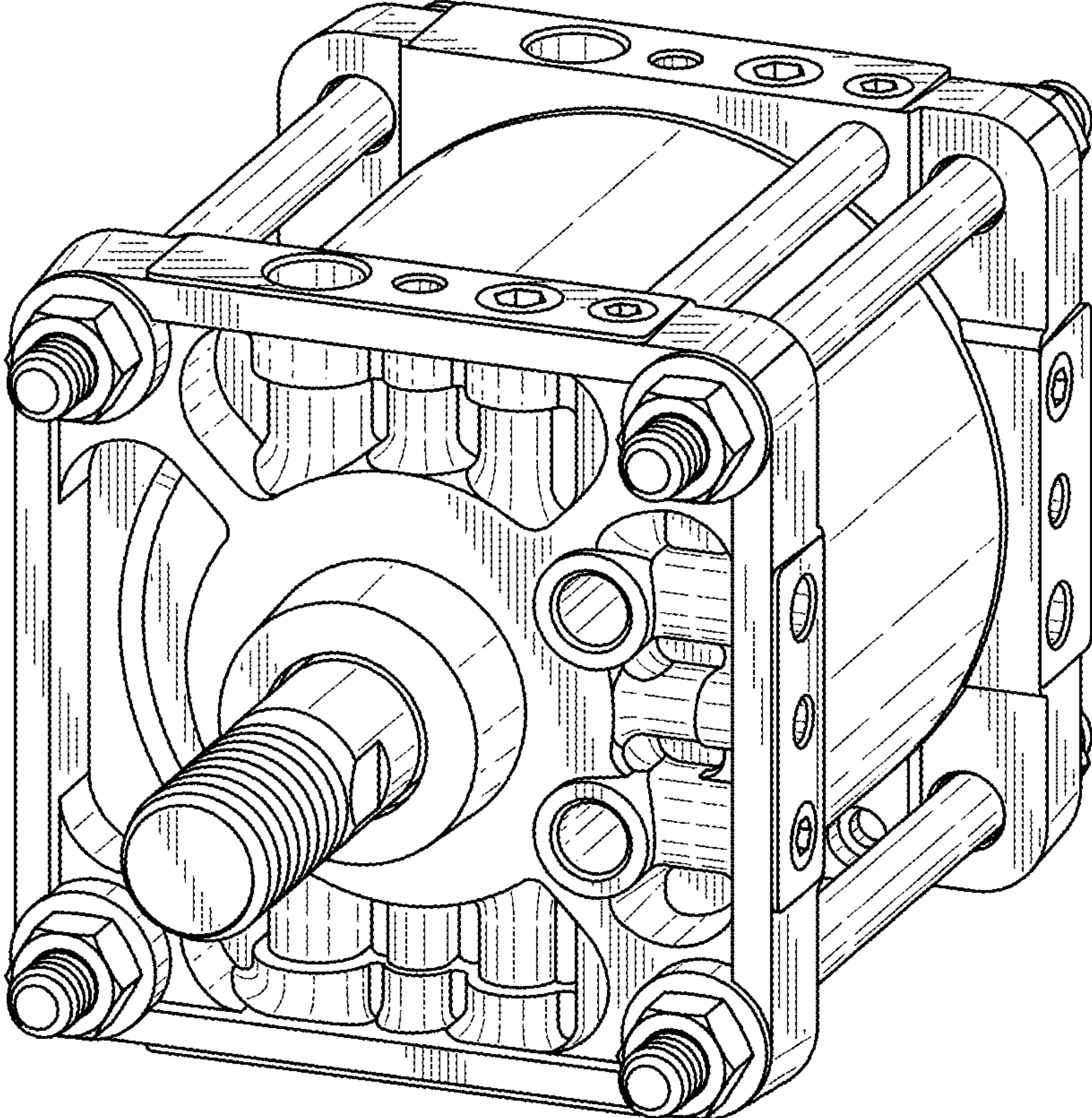


FIG. 10

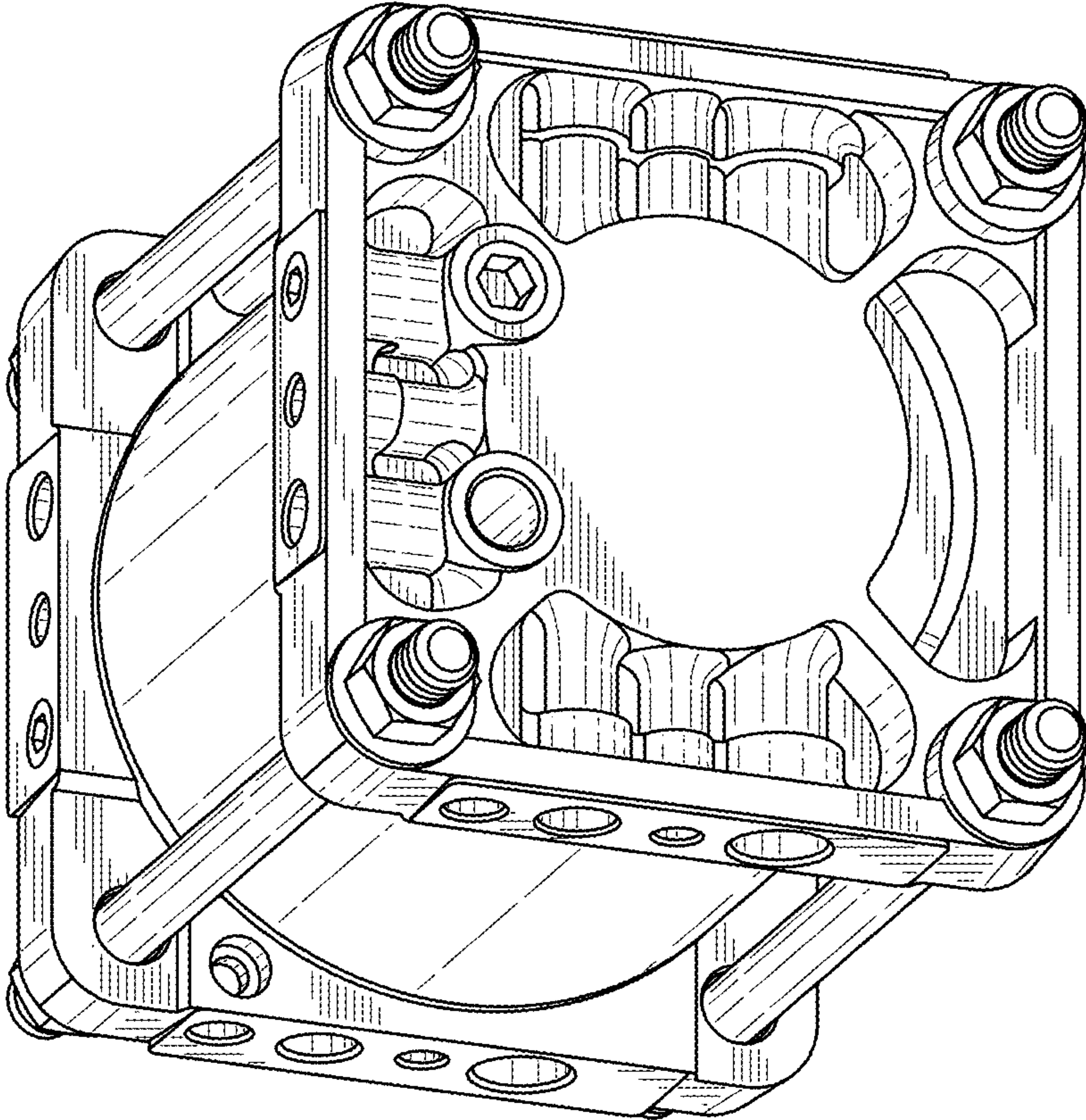




FIG. 11

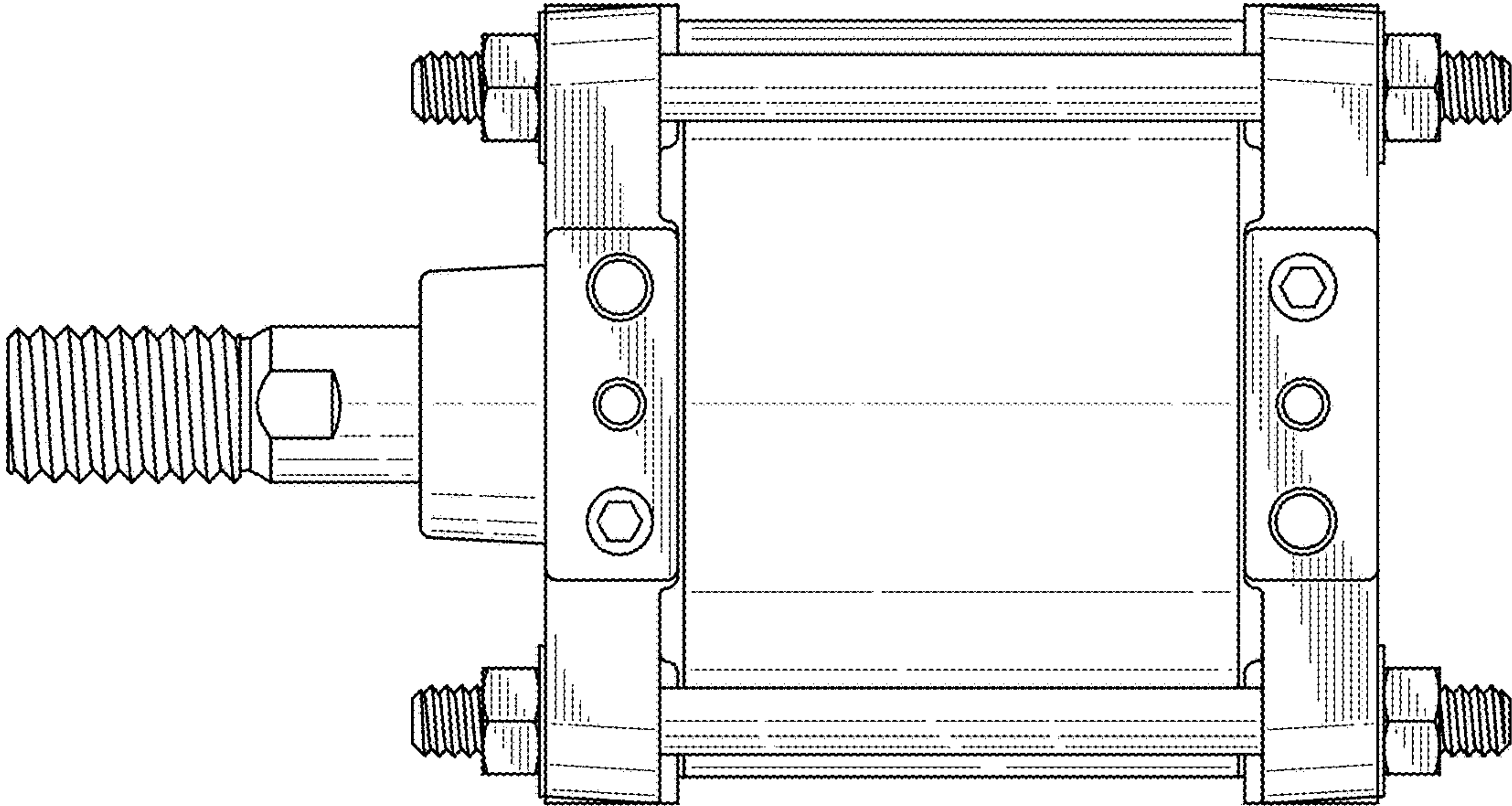


FIG. 12

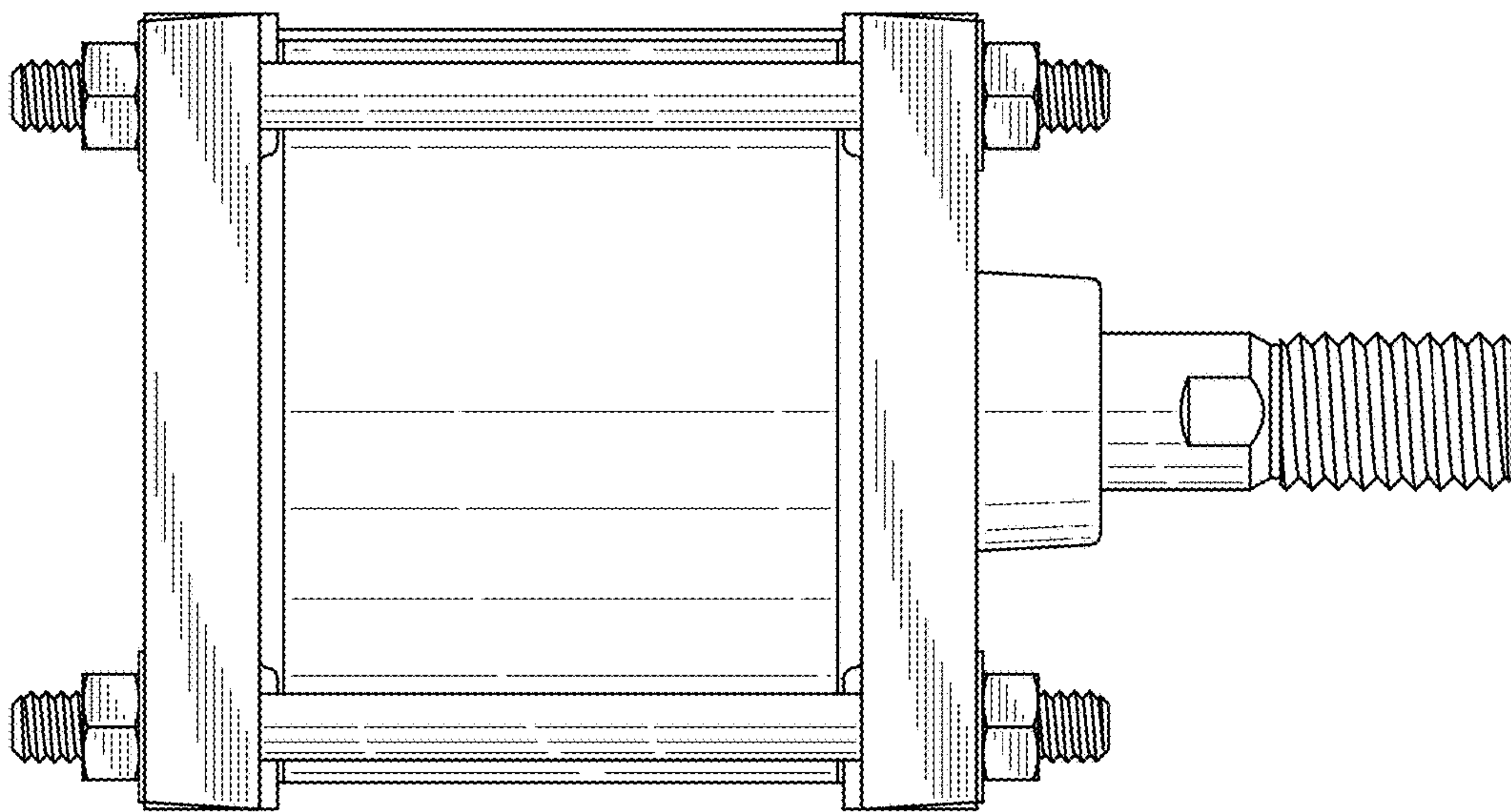


FIG. 13

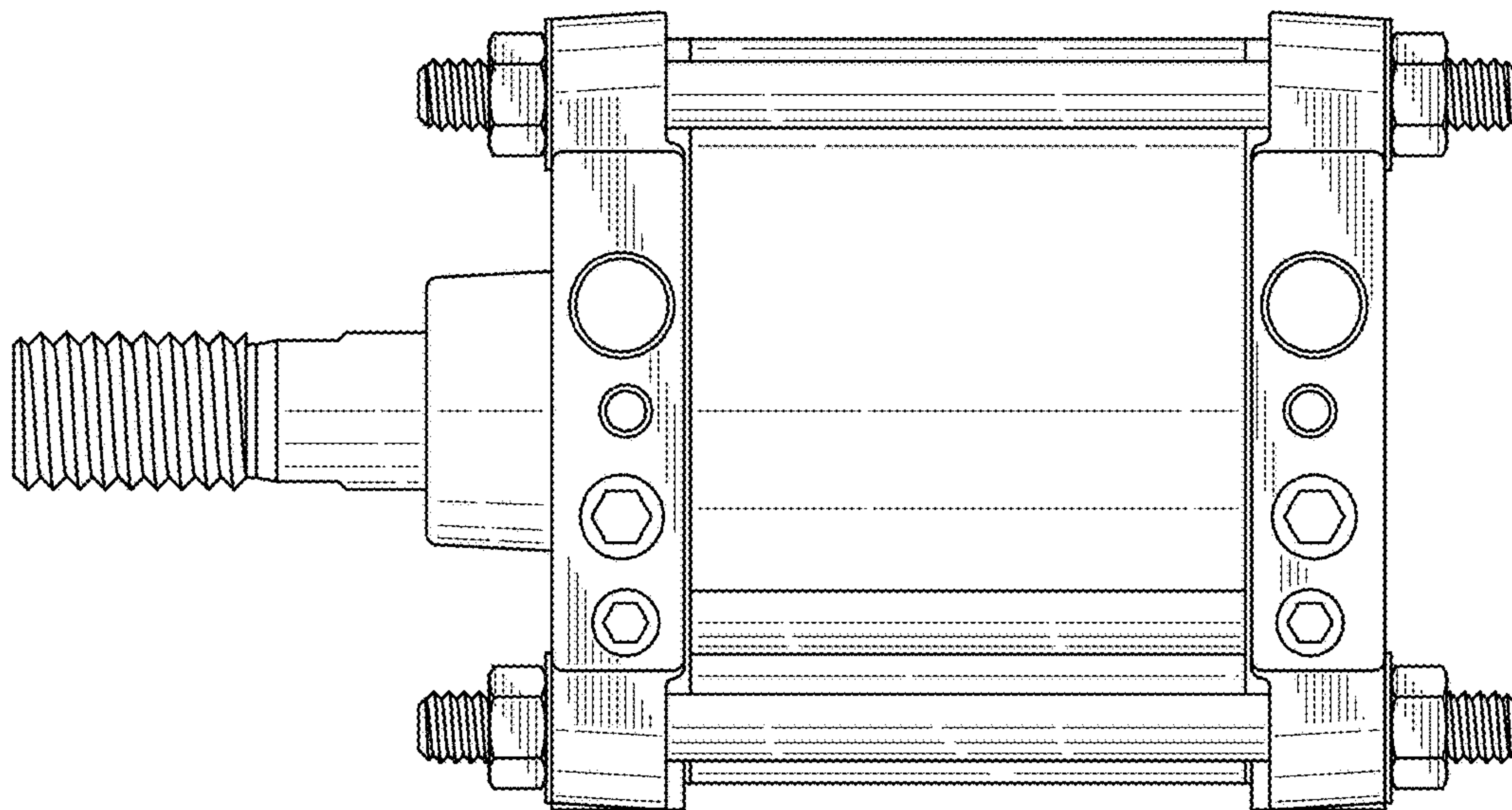


FIG. 14

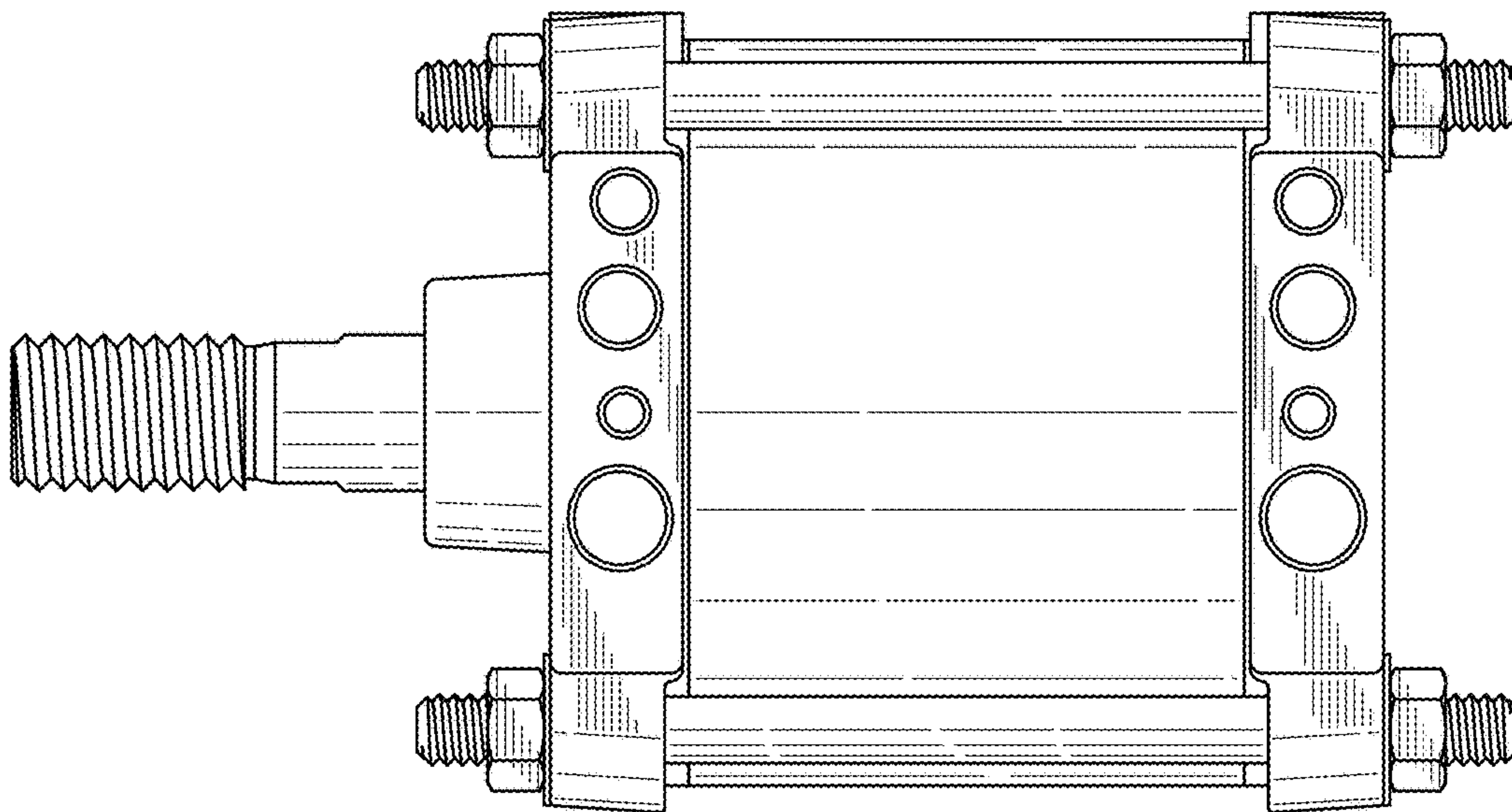




FIG. 15

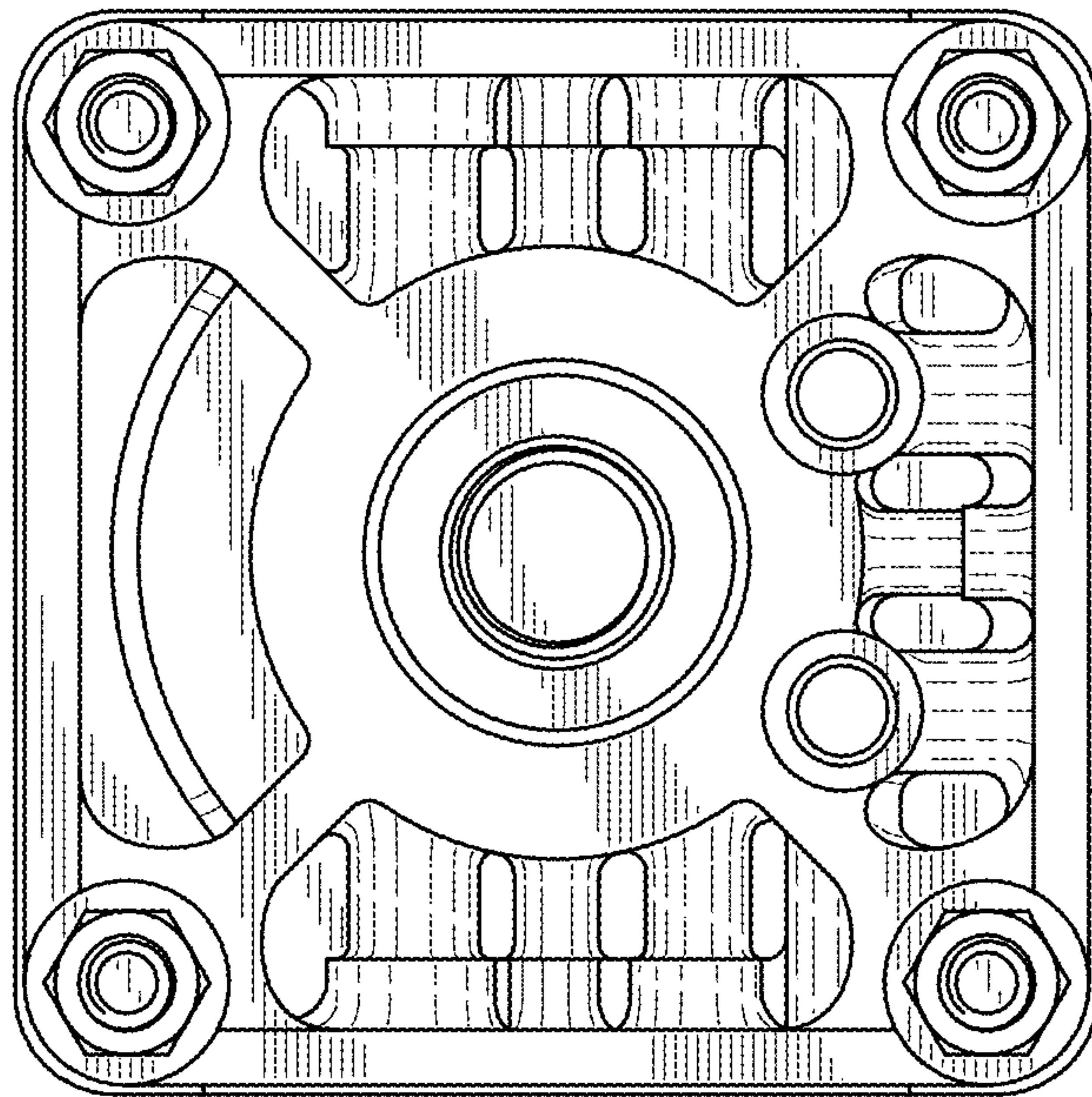


FIG. 16

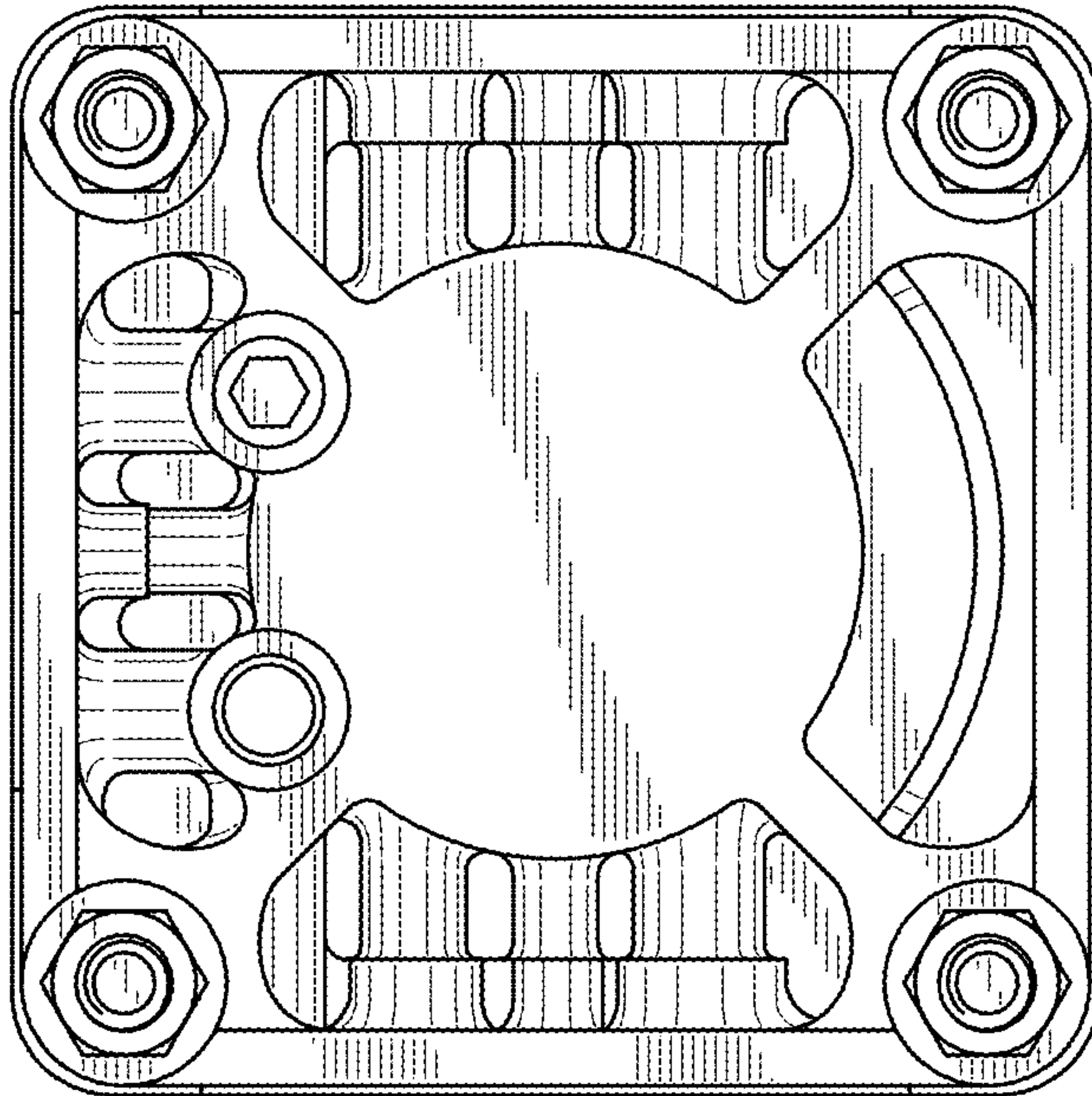


FIG. 17

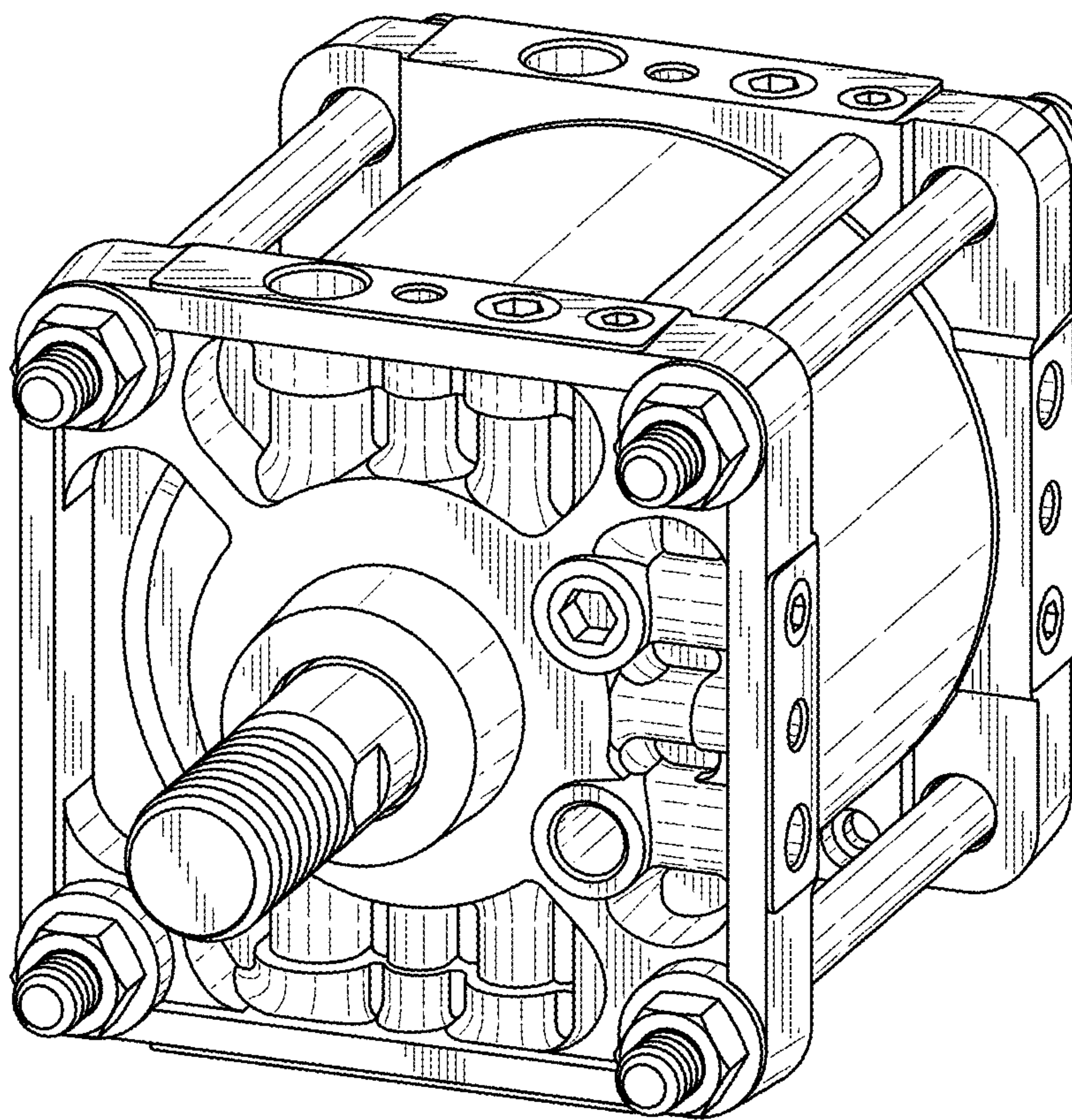


FIG. 18

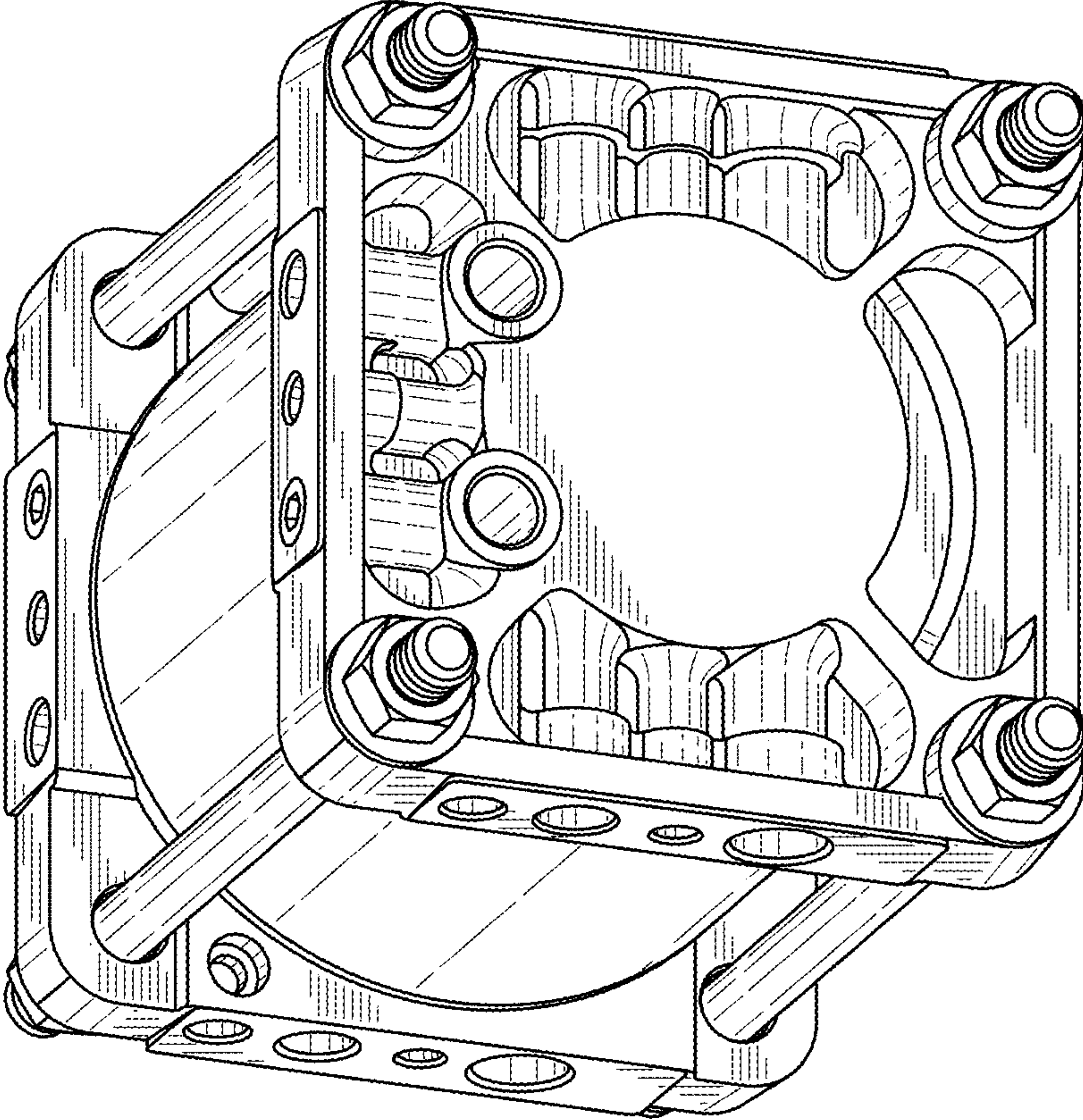




FIG. 19

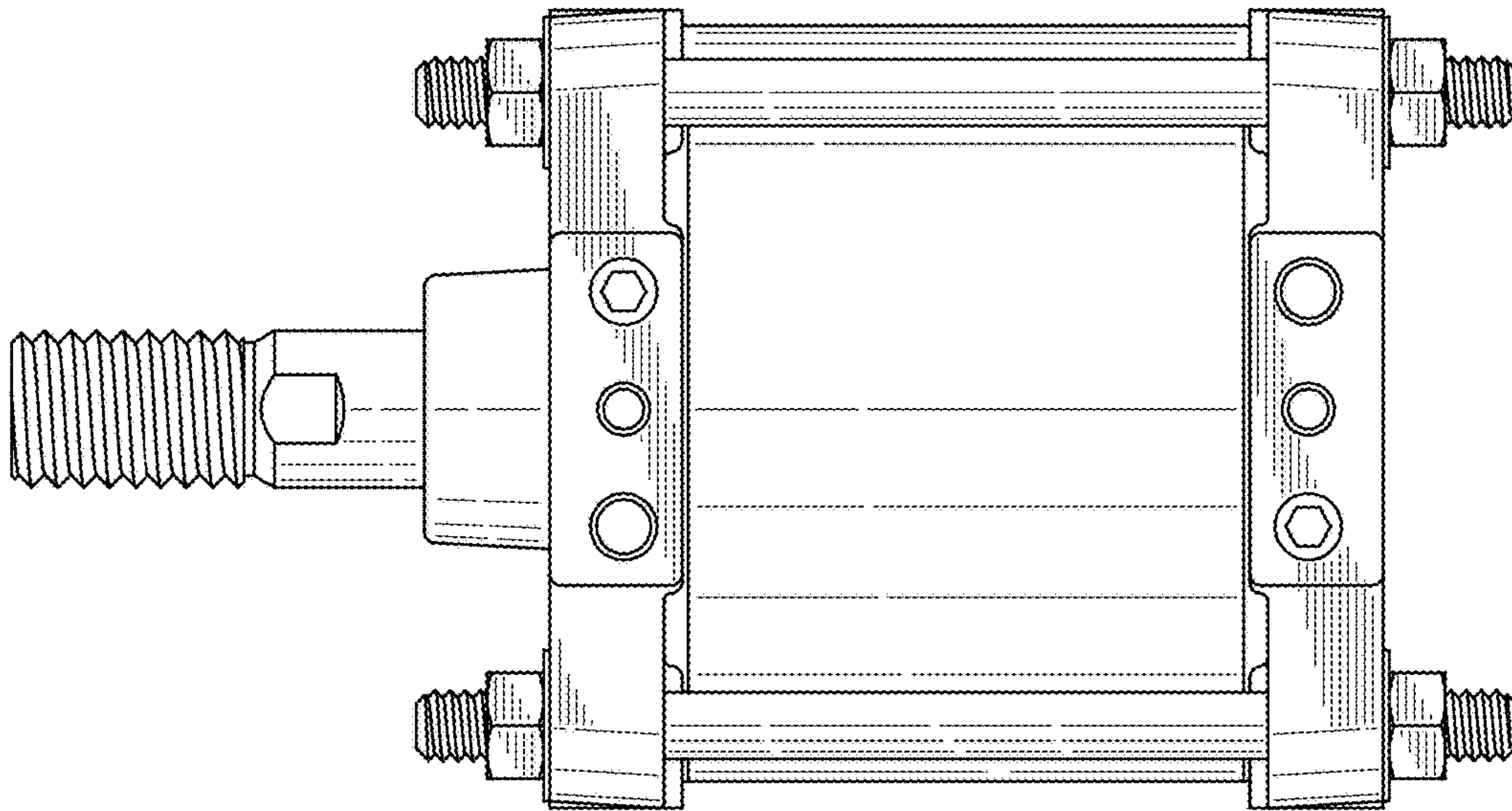


FIG. 20

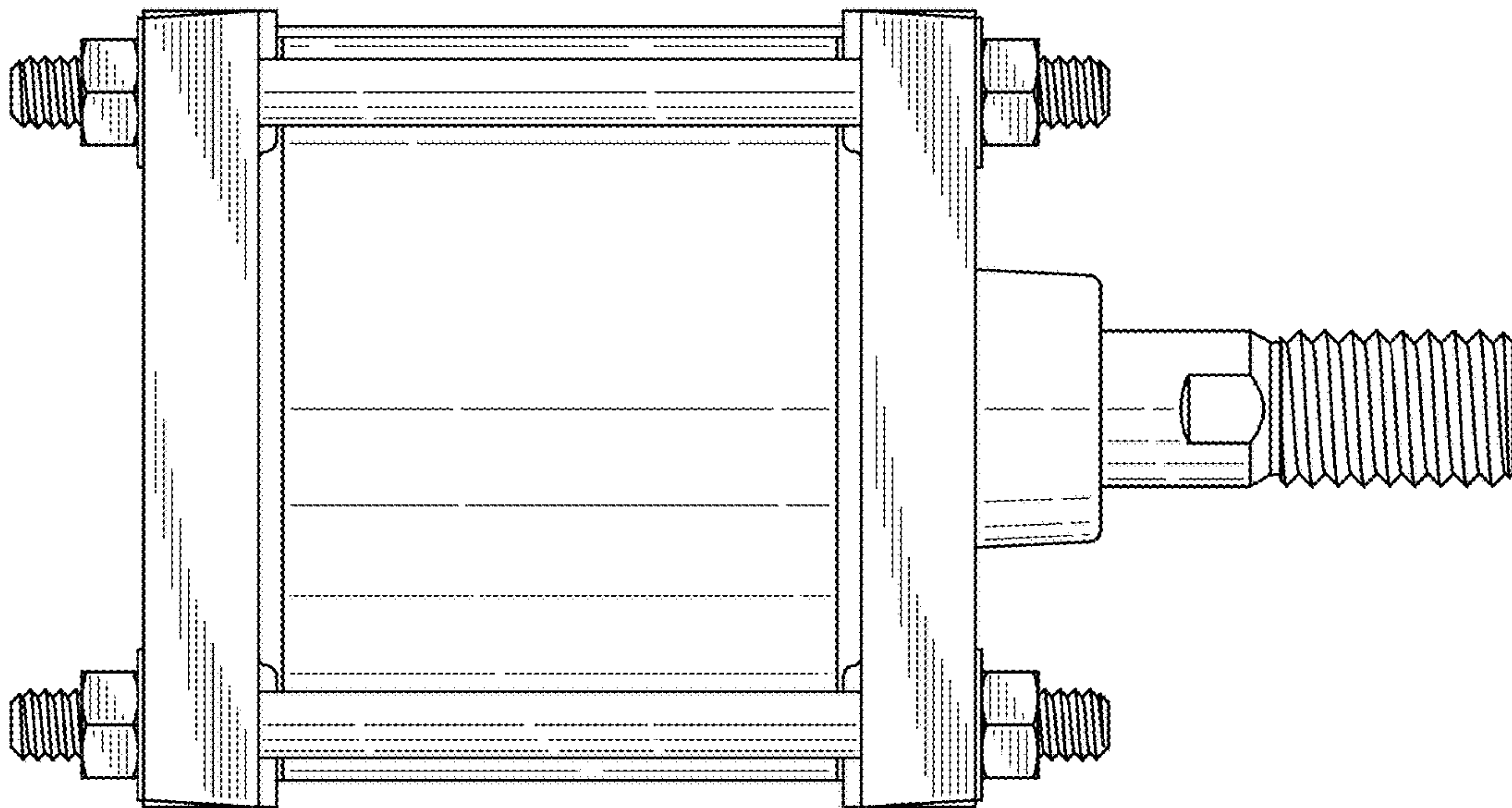


FIG. 21

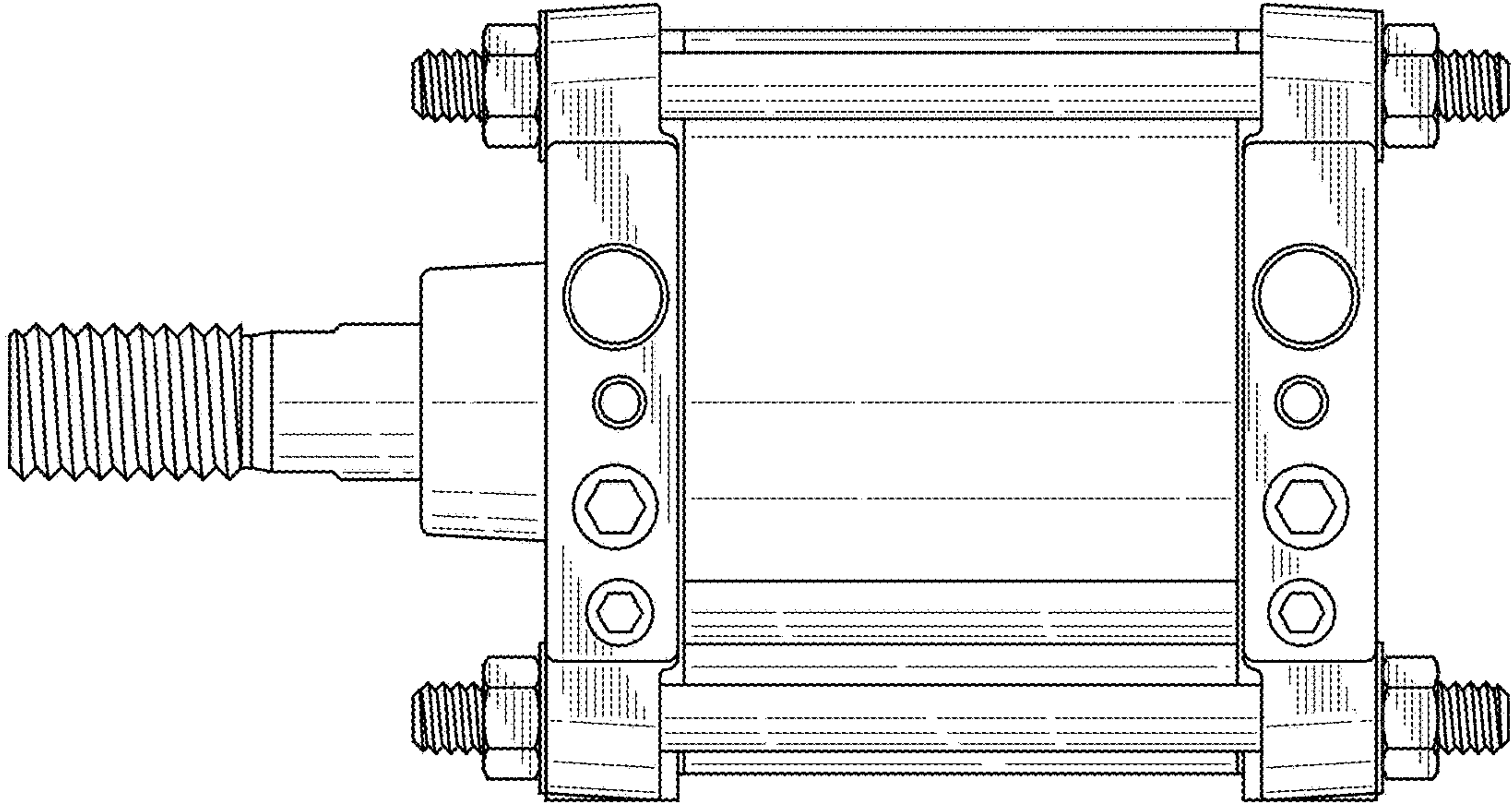


FIG. 22

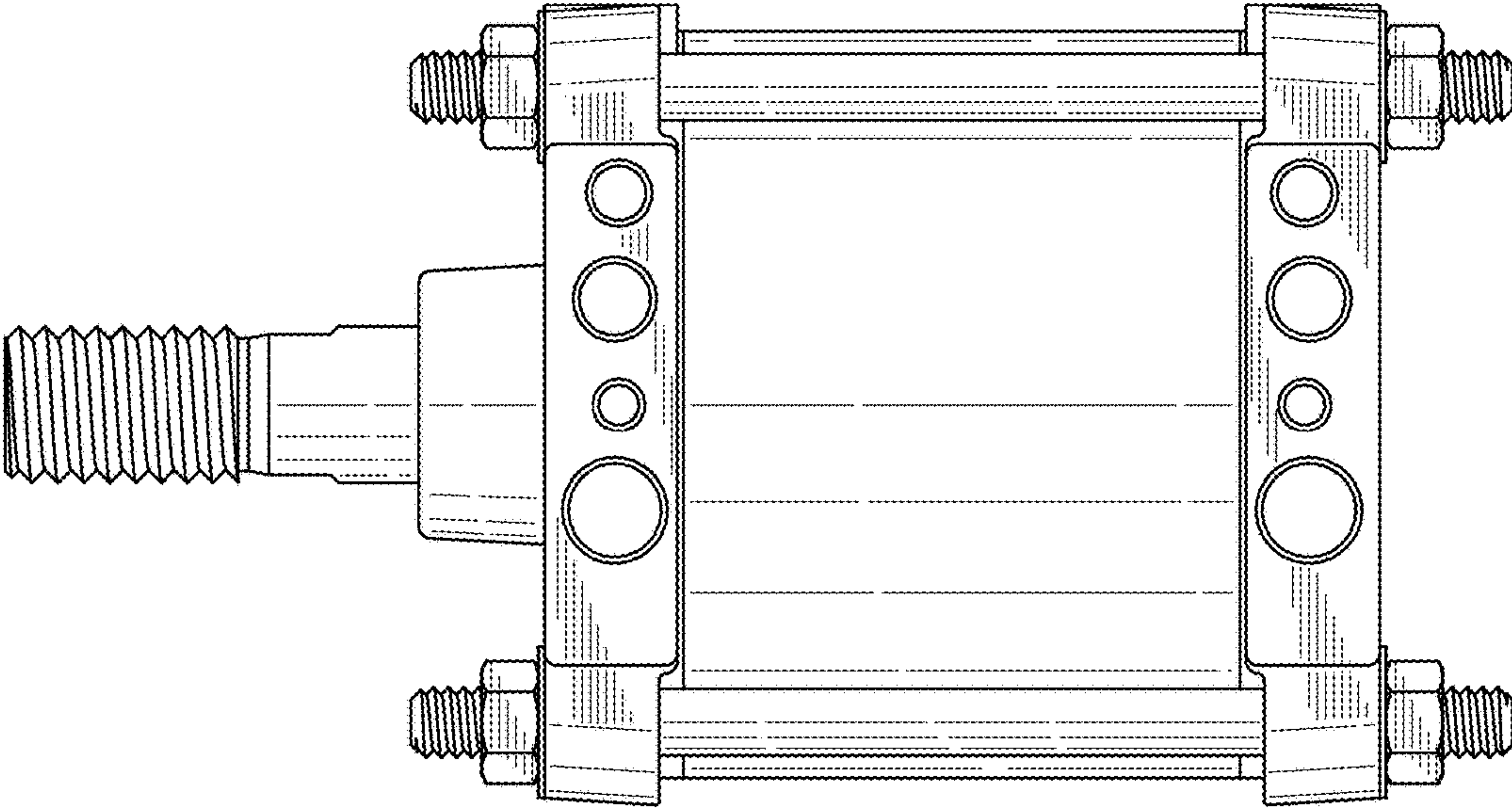




FIG. 23

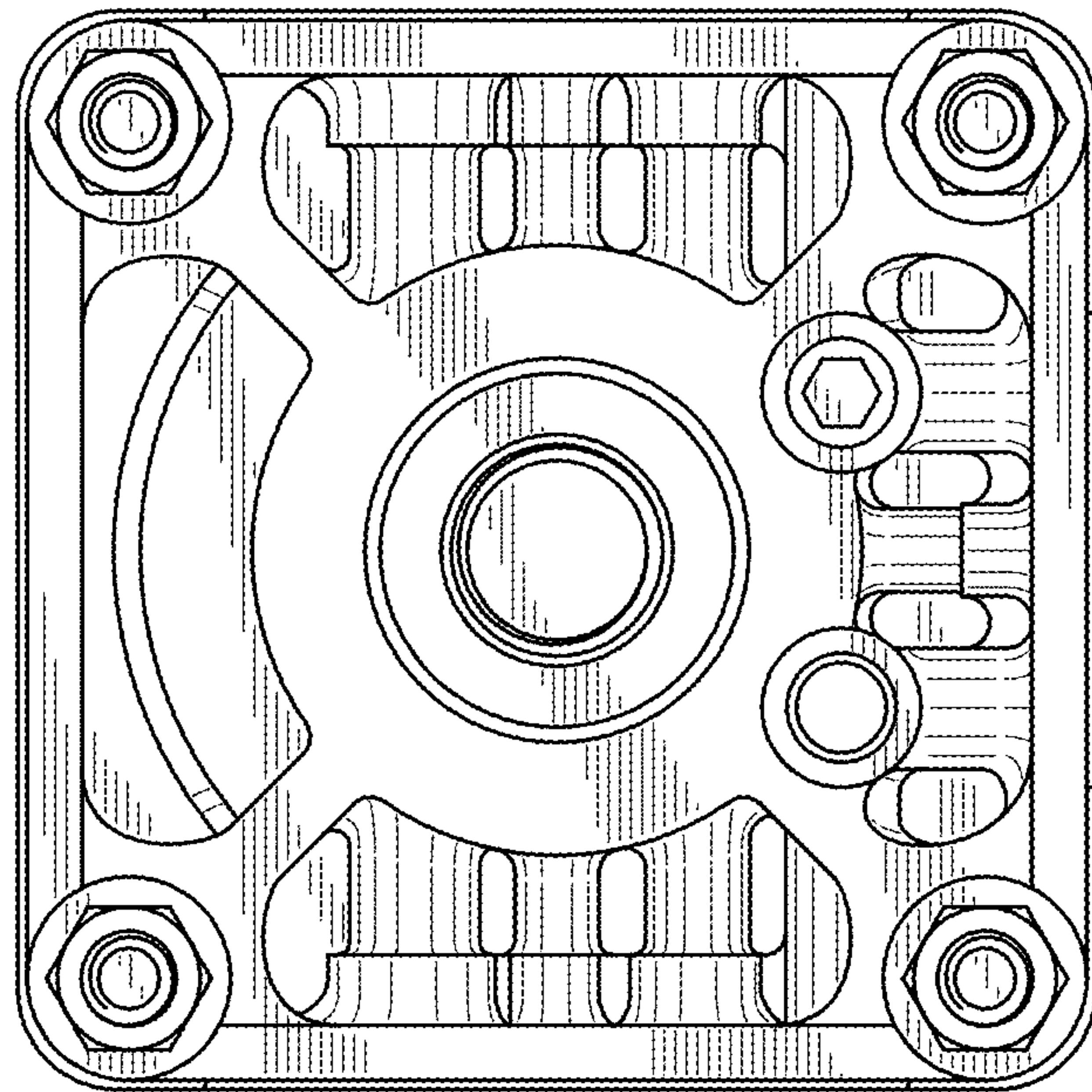


FIG. 24

