



US00D826284S

(12) **United States Design Patent** (10) **Patent No.:** **US D826,284 S**  
**Mead et al.** (45) **Date of Patent:** **\*\* Aug. 21, 2018**

(54) **CARTRIDGE FOR USE WITH A FLUID PUMP**

(71) Applicant: **Watson-Marlow Limited**, Cornwall (GB)

(72) Inventors: **Robert Mead**, Cornwall (GB); **Steven Brokenshire**, Cornwall (GB)

(73) Assignee: **Watson-Marlow Limited**, Cornwall (GB)

(\*\*) Term: **15 Years**

(21) Appl. No.: **29/601,721**

(22) Filed: **Apr. 25, 2017**

(30) **Foreign Application Priority Data**

Nov. 28, 2016 (EM) ..... 003487800

(51) **LOC (11) Cl.** ..... **15-02**

(52) **U.S. Cl.**  
USPC ..... **D15/7**

(58) **Field of Classification Search**  
USPC ..... D15/7-9; D23/231, 232, 225; 417/60, 417/235, 265, 321, 355, 358, 363, 359, 417/410.1, 415-416, 405, 900, 269, 539; 60/408, 412; 184/26-37; 415/140-147; 123/495, 509; 137/565.34  
CPC ..... F02M 37/04; F02M 37/14; F04B 53/92; F04B 1/005; F04D 13/06; F04D 29/22; F04D 29/046; F04D 29/2266  
See application file for complete search history.

(56) **References Cited**

**U.S. PATENT DOCUMENTS**

D283,425 S *	4/1986	Bingler	.....	D15/7
D296,075 S *	6/1988	Jones	.....	D15/7
D426,553 S *	6/2000	Jack	.....	D15/7
D579,842 S *	11/2008	Ren	.....	D12/194
D709,920 S *	7/2014	Tristano	.....	D15/7
D766,988 S *	9/2016	Crowsley	.....	D15/7

**FOREIGN PATENT DOCUMENTS**

CN	301939608 S	5/2012
TW	D118099	7/2007
TW	D148542	8/2012
TW	D149354	9/2012

**OTHER PUBLICATIONS**

Taiwanese Search Report for Application 105307939 dated Nov. 28, 2016.

\* cited by examiner

*Primary Examiner* — Ralf T Seifert

(74) *Attorney, Agent, or Firm* — Honigman Miller Schwartz and Cohn LLP

(57) **CLAIM**

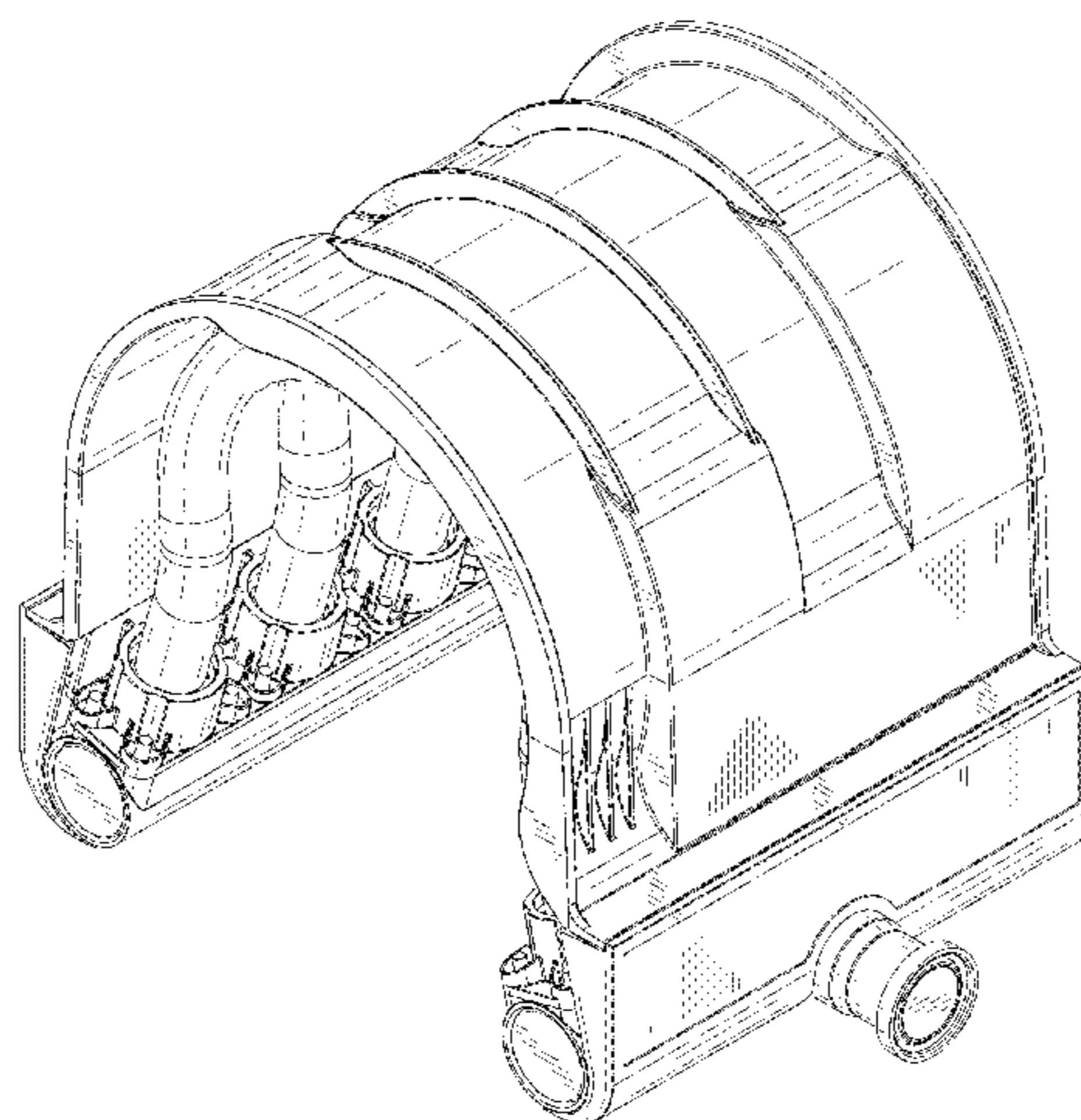
The ornamental design of a cartridge for use with a fluid pump, as shown and described.

**DESCRIPTION**

FIG. 1 is a front/right side isometric view of a cartridge for use with a fluid pump;  
FIG. 2 is a front elevational view of a cartridge for use with a fluid pump of FIG. 1;  
FIG. 3 is a rear elevational view of a cartridge for use with a fluid pump of FIG. 1;  
FIG. 4 is a right side elevational view of a cartridge for use with a fluid pump of FIG. 1;  
FIG. 5 is a left side elevational view of a cartridge for use with a fluid pump of FIG. 1;  
FIG. 6 is a top plan view of a cartridge for use with a fluid pump of FIG. 1; and,  
FIG. 7 is a bottom view of a cartridge for use with a fluid pump of FIG. 1.

The broken lines used in various Figures are included for the purpose of illustrating portions of the cartridge for use with a fluid pump that form no part of the claimed design.

**1 Claim, 7 Drawing Sheets**



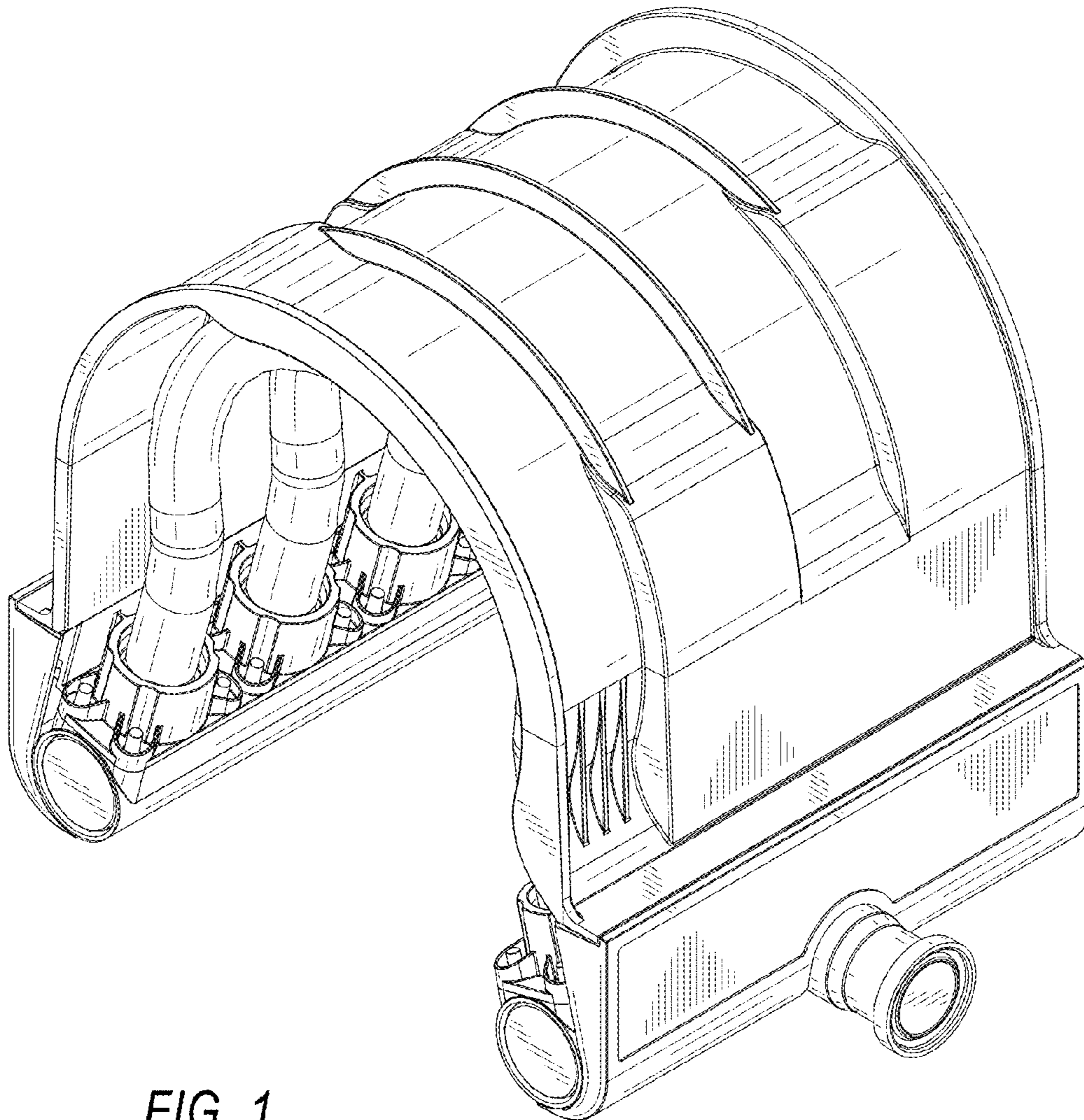


FIG. 1

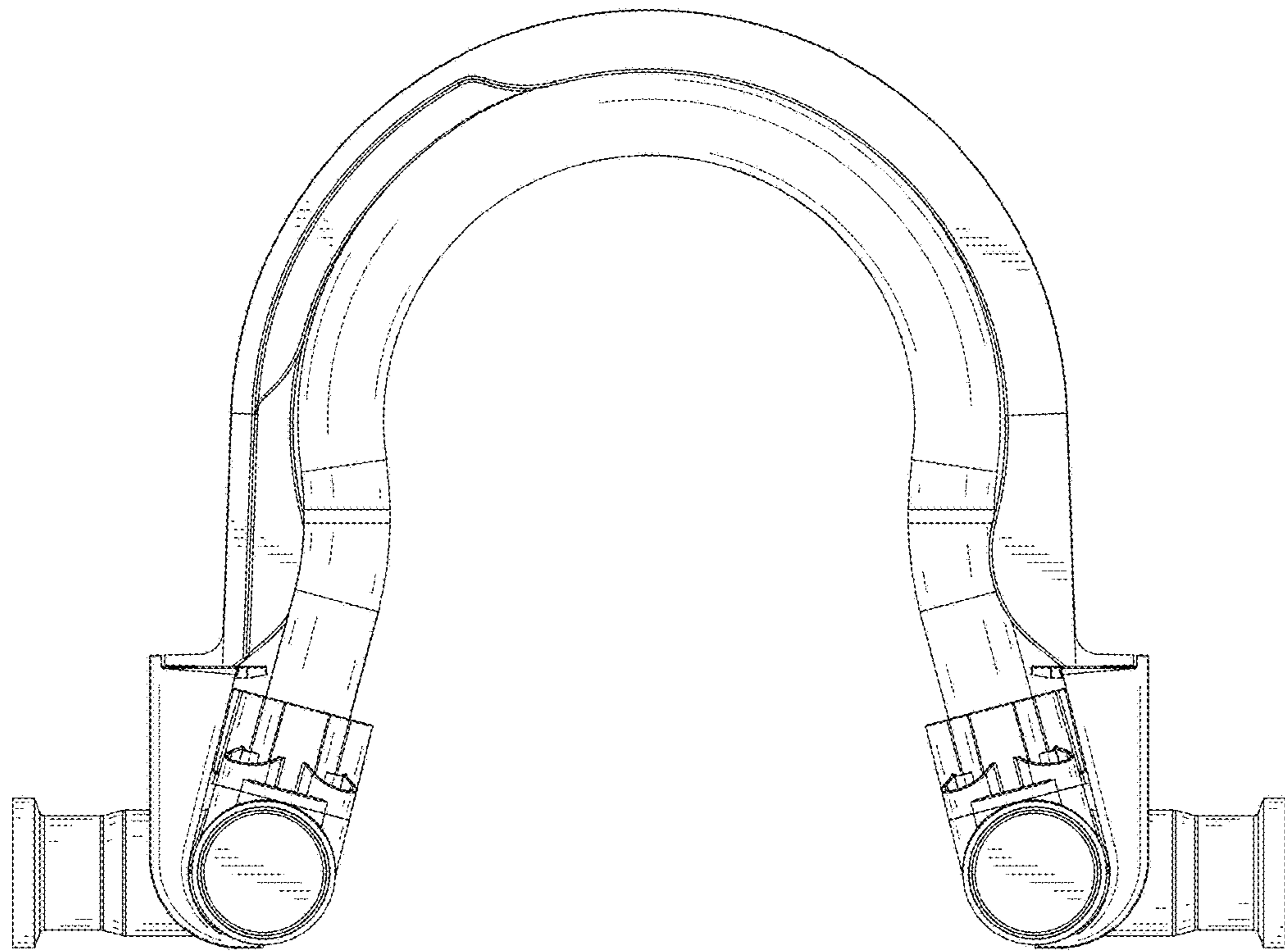


FIG. 2

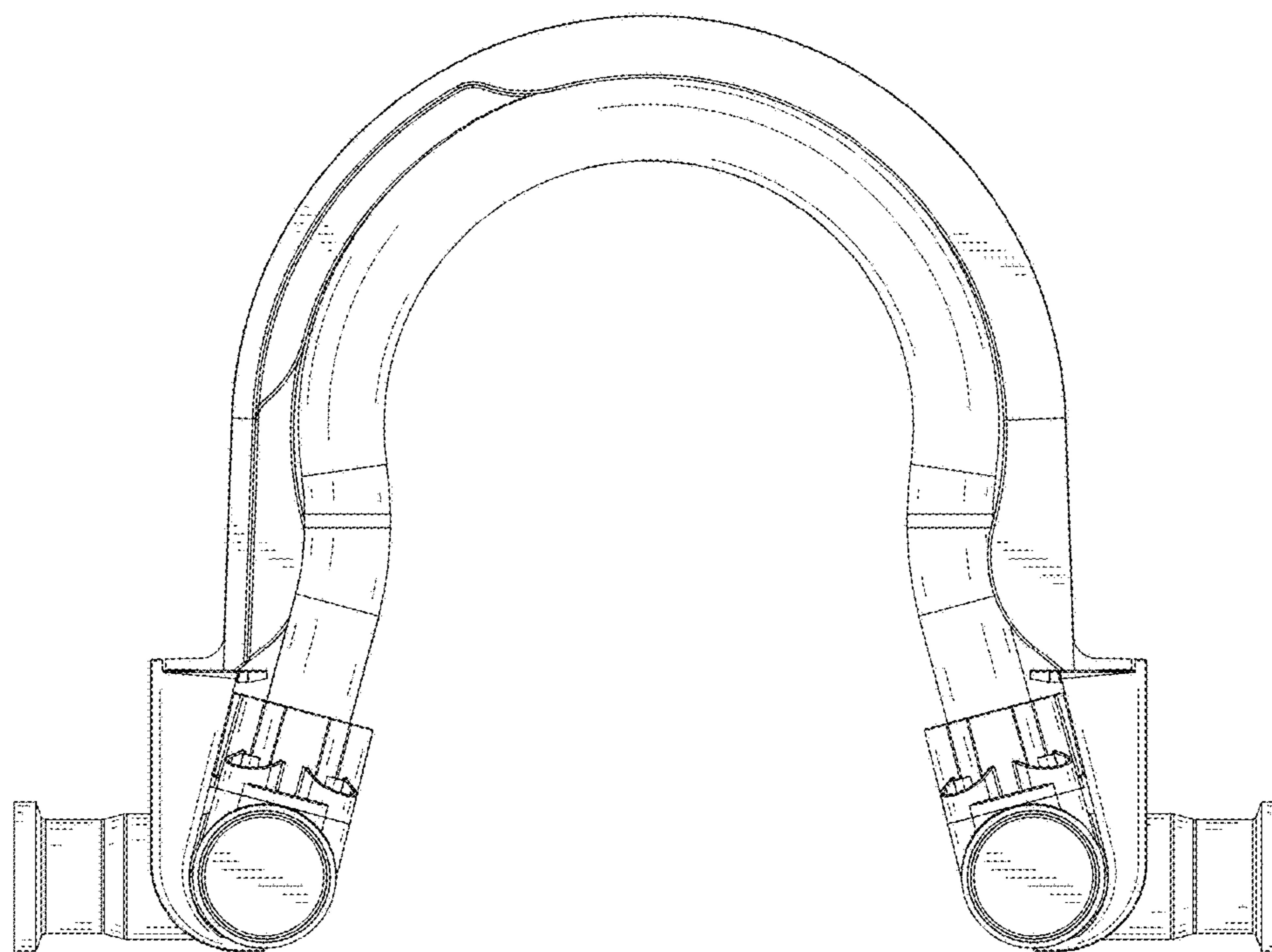


FIG. 3

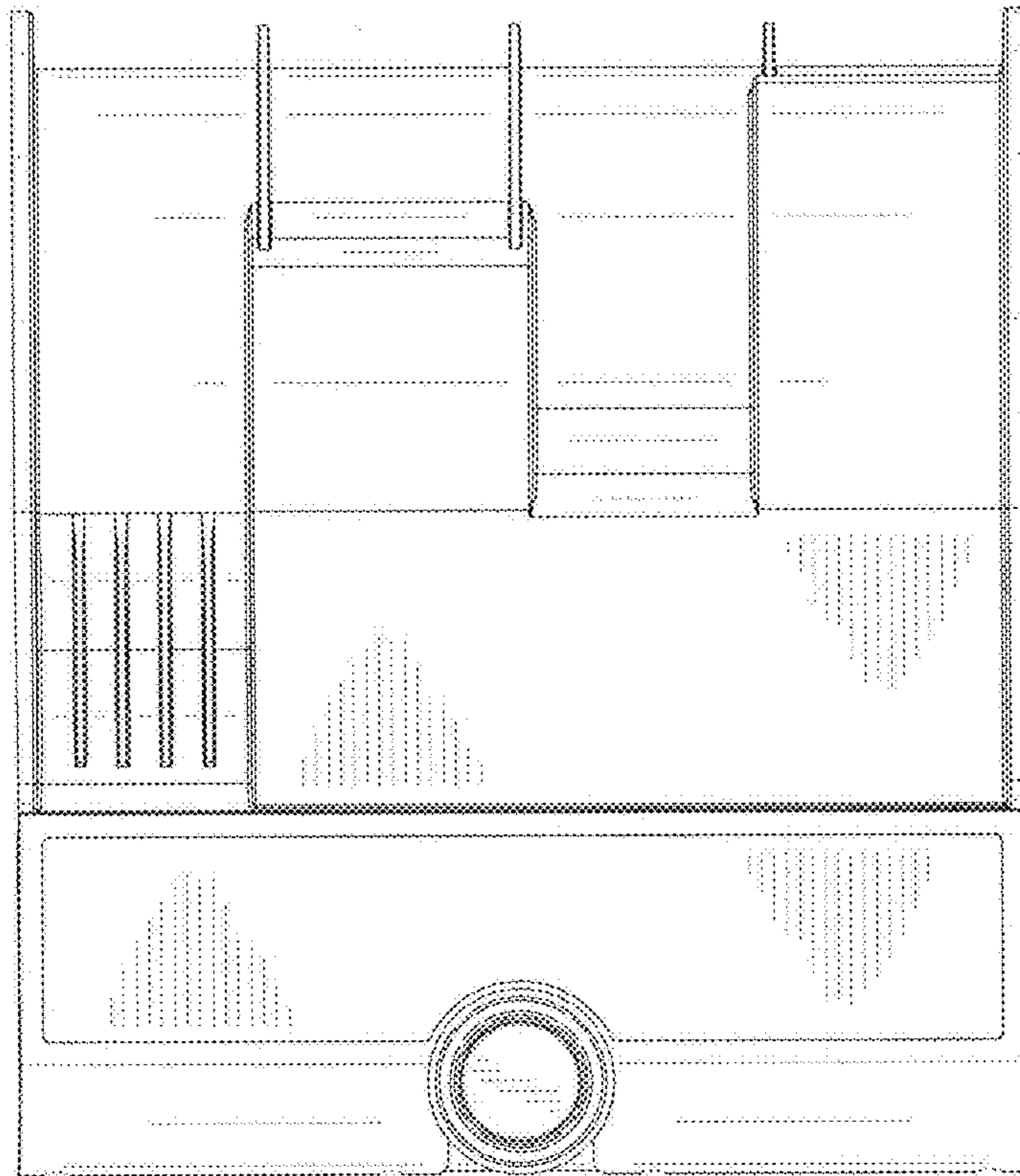


FIG. 4

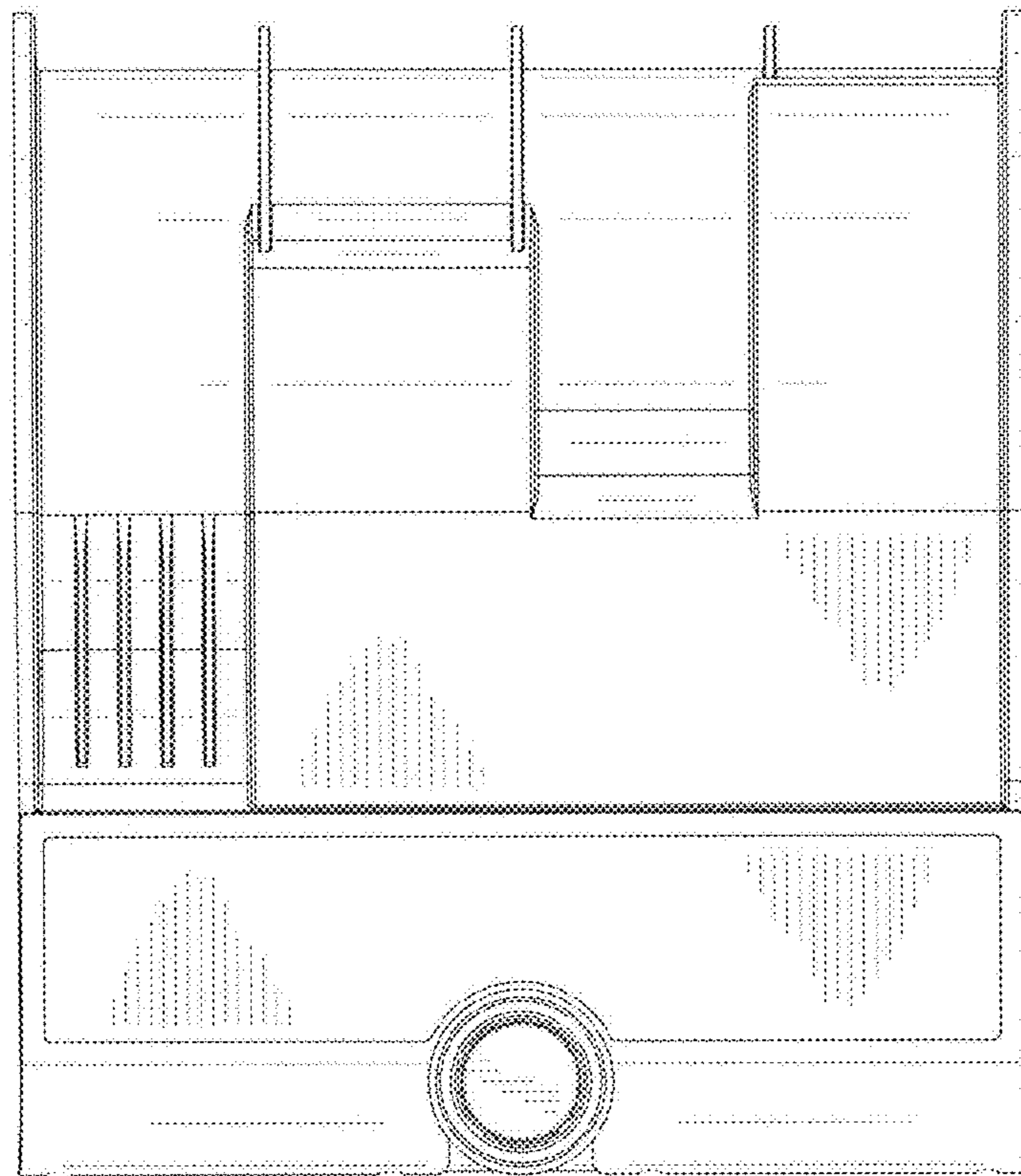


FIG. 5

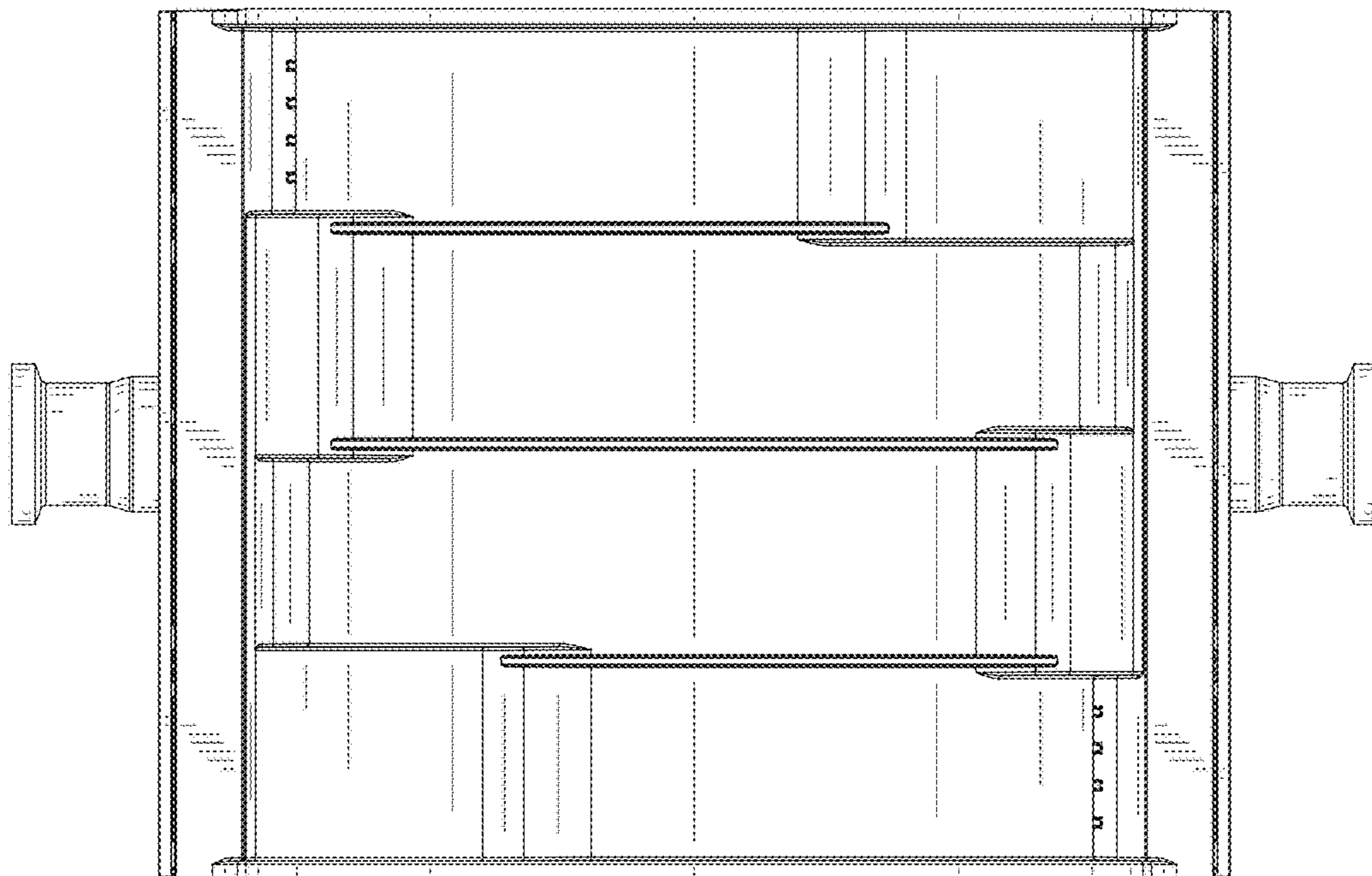


FIG. 6

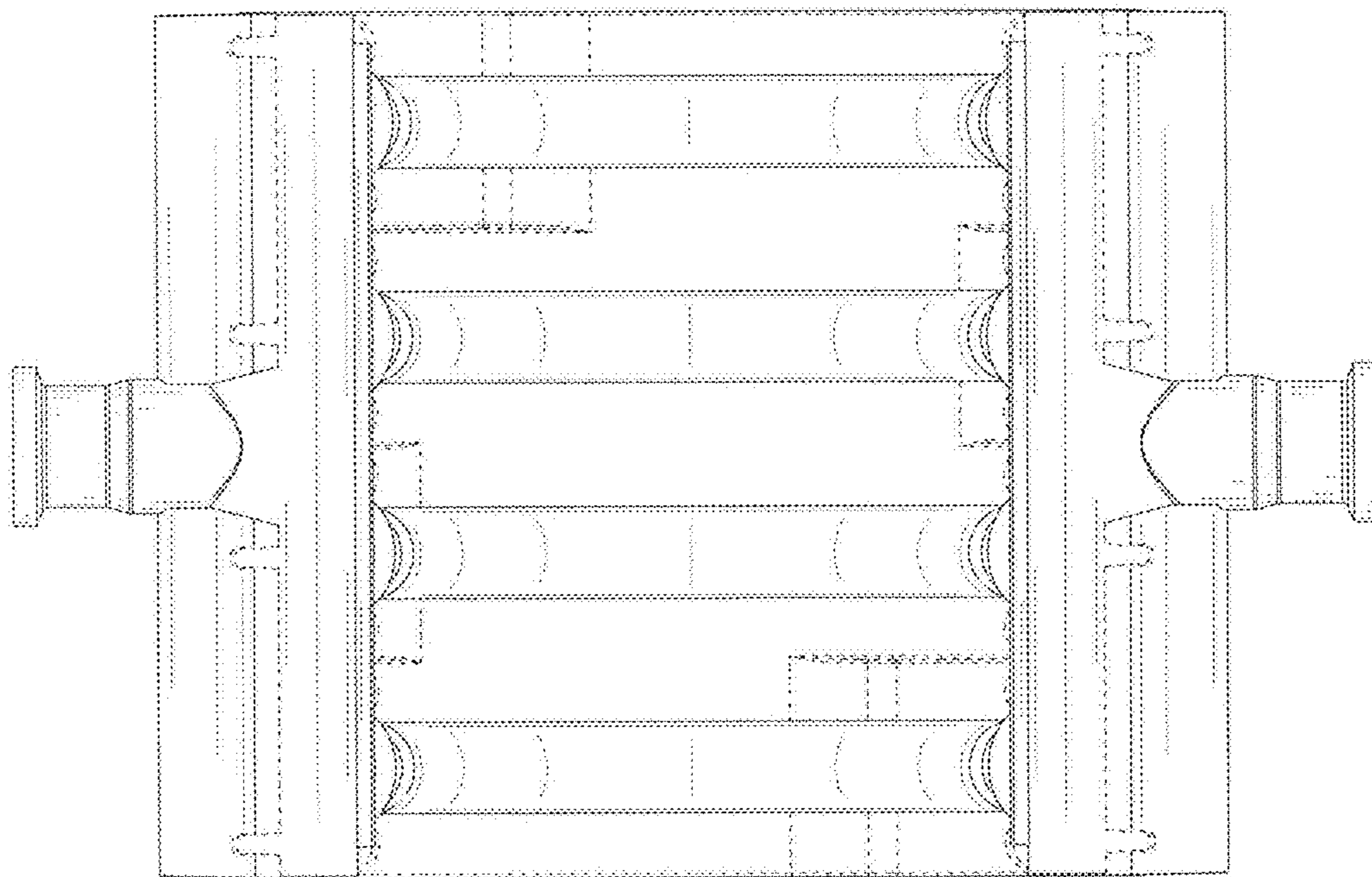


FIG. 7