



US00D826283S

(12) **United States Design Patent** (10) **Patent No.:** **US D826,283 S**
Mead et al. (45) **Date of Patent:** **** Aug. 21, 2018**

(54) **FLUID PUMP HEAD WITH A REMOVABLE CARTRIDGE**

FOREIGN PATENT DOCUMENTS

(71) Applicant: **Watson-Marlow Limited**, Cornwall (GB)

CN 301939608 S 5/2012
TW D118099 7/2007

(Continued)

(72) Inventors: **Robert Mead**, Cornwall (GB); **Steven Brokenshire**, Cornwall (GB)

OTHER PUBLICATIONS

(73) Assignee: **Watson-Marlow Limited**, Cornwall (GB)

Taiwanese Search Report for Application 105307939 dated Nov. 28, 2016.

(**) Term: **15 Years**

Primary Examiner — Ralf T Seifert

(21) Appl. No.: **29/601,719**

(74) *Attorney, Agent, or Firm* — Honigman Miller Schwartz and Cohn LLP

(22) Filed: **Apr. 25, 2017**

(57) **CLAIM**

(30) **Foreign Application Priority Data**

The ornamental design for a fluid pump head with a removable cartridge, as shown and described.

Nov. 28, 2016 (EM) 003487800

(51) **LOC (11) Cl.** **15-02**

(52) **U.S. Cl.**
USPC **D15/7**

(58) **Field of Classification Search**
USPC D15/7-9; D23/231, 232, 225; 417/60, 417/235, 265, 321, 355, 358, 363, 359, 417/410.1, 415-416, 405, 900, 269, 539; 60/408, 412; 184/26-37; 415/140-147; 123/495, 509; 137/565.34
CPC F02M 37/04; F02M 37/14; F04B 53/92; F04B 1/005; F04D 13/06; F04D 29/22; F04D 29/046; F04D 29/2266
See application file for complete search history.

DESCRIPTION

(56) **References Cited**

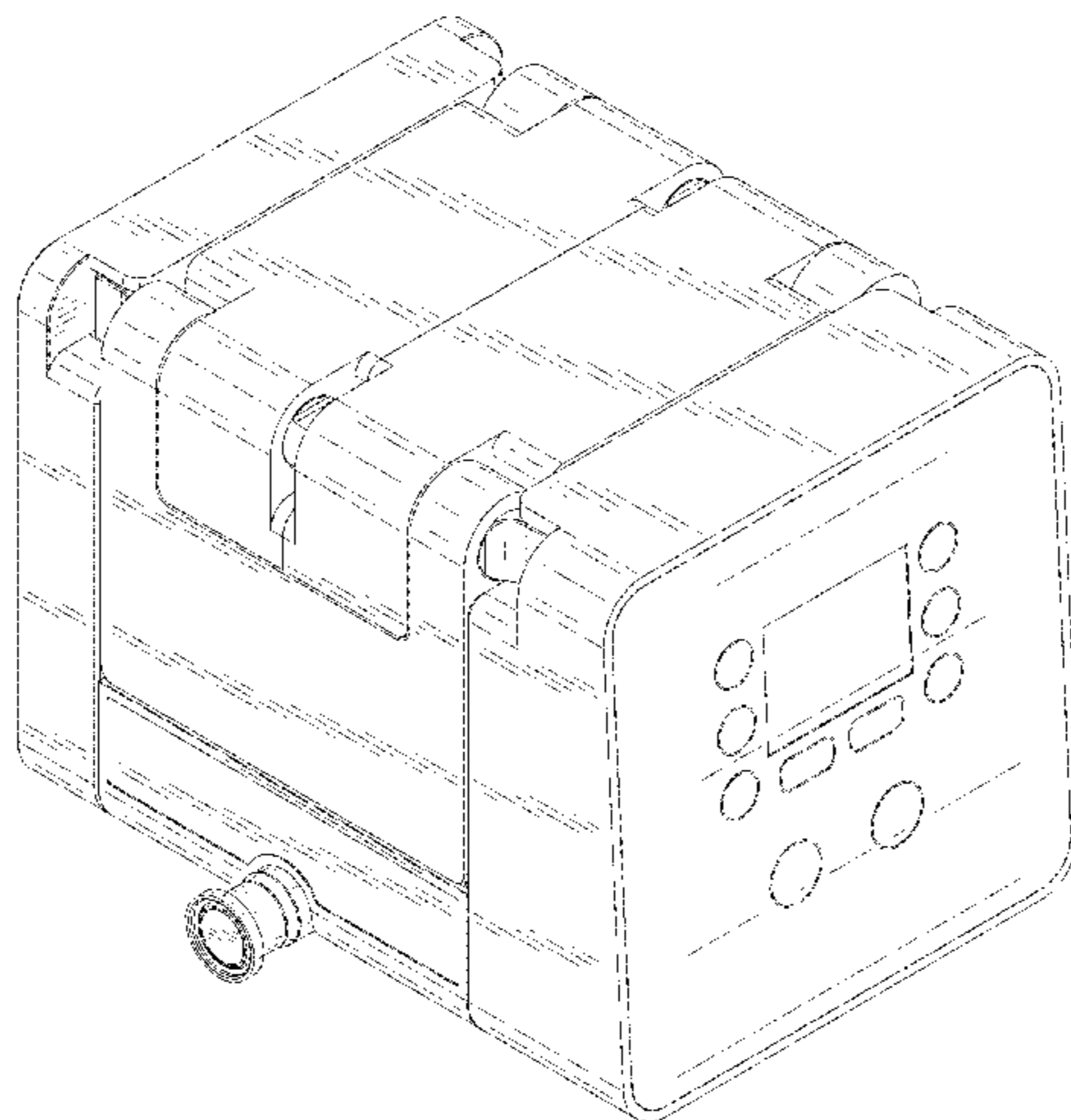
U.S. PATENT DOCUMENTS

D376,370 S * 12/1996 Davis D15/7
D404,400 S * 1/1999 Wang D15/7
D448,778 S * 10/2001 Iwata D15/7
D454,886 S * 3/2002 Ohya D15/7
D511,530 S * 11/2005 Wang D15/7

(Continued)

FIG. 1 is a front/left side isometric view of a fluid pump head with removable cartridge;
FIG. 2 is a front elevational view of the fluid pump head with removable cartridge of FIG. 1;
FIG. 3 is a rear elevational view of the fluid pump head with removable cartridge of FIG. 1;
FIG. 4 is a right side elevational view of the fluid pump head with removable cartridge of FIG. 1;
FIG. 5 is a left side elevational view of the fluid pump head with removable cartridge of FIG. 1;
FIG. 6 is a top view of the fluid pump head with removable cartridge of FIG. 1; and,
FIG. 7 is a bottom view of the fluid pump head with removable cartridge of FIG. 1.
The broken lines used in various Figures are included for the purpose of illustrating portions of fluid pump head with removable cartridge that form no part of the claimed design.

1 Claim, 5 Drawing Sheets



(56)

References Cited

U.S. PATENT DOCUMENTS

D512,440 S * 12/2005 Wang D15/7
D618,705 S * 6/2010 Sadachika D15/7
D633,925 S * 3/2011 Sadachika D15/7
D759,727 S * 6/2016 Jiang D15/9

FOREIGN PATENT DOCUMENTS

TW D148542 8/2012
TW D149354 9/2012

* cited by examiner

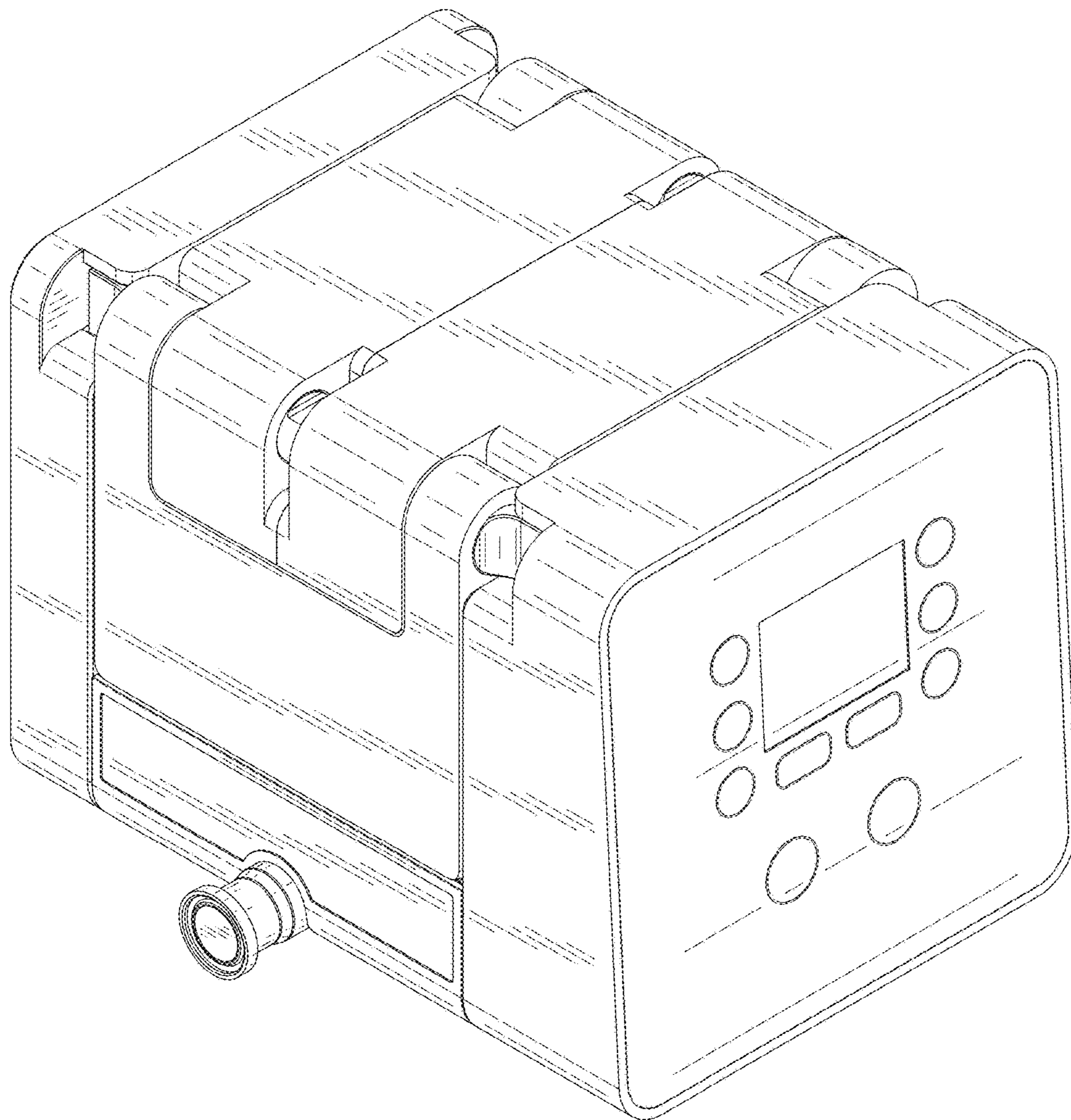


FIG. 1

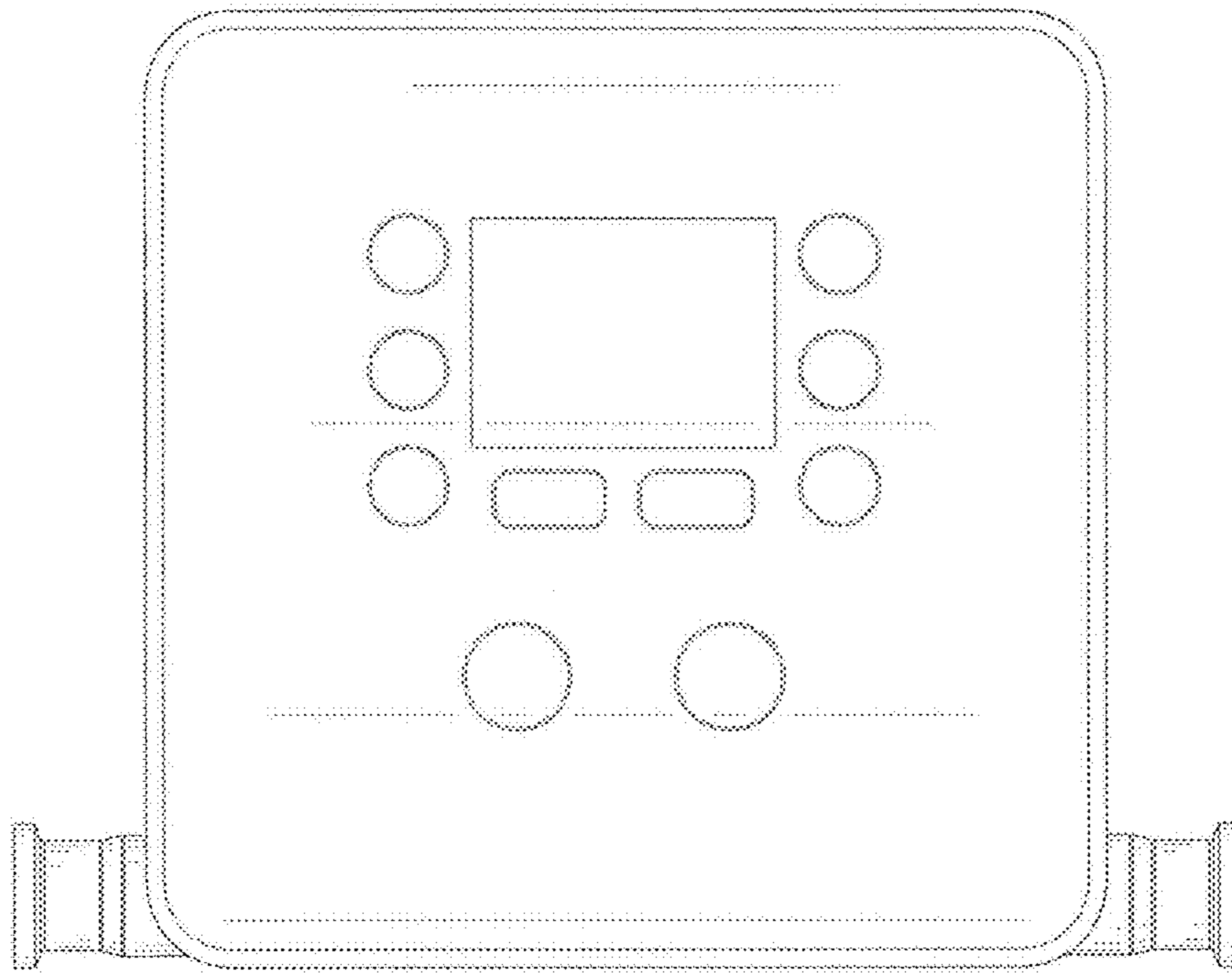


FIG. 2

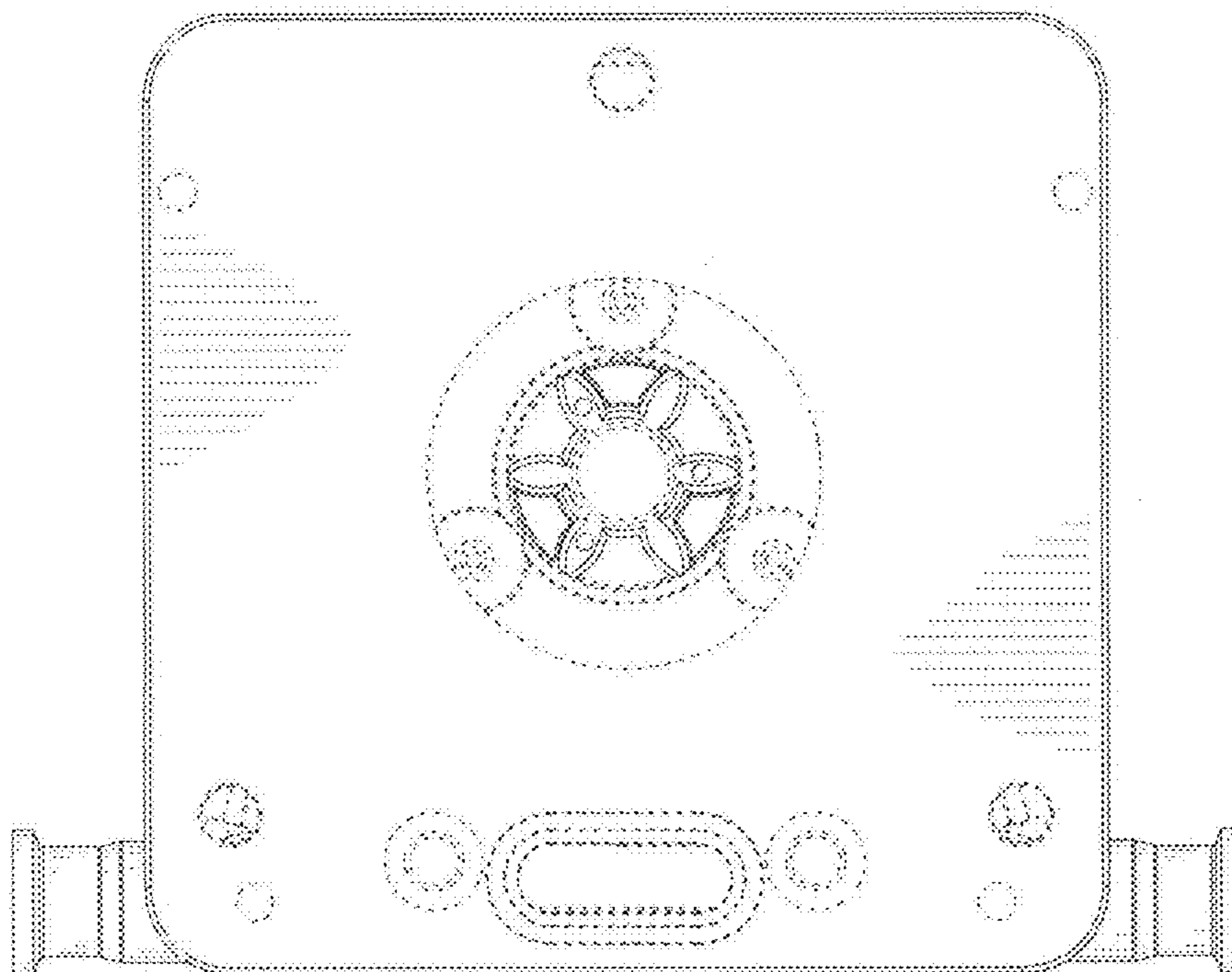


FIG. 3

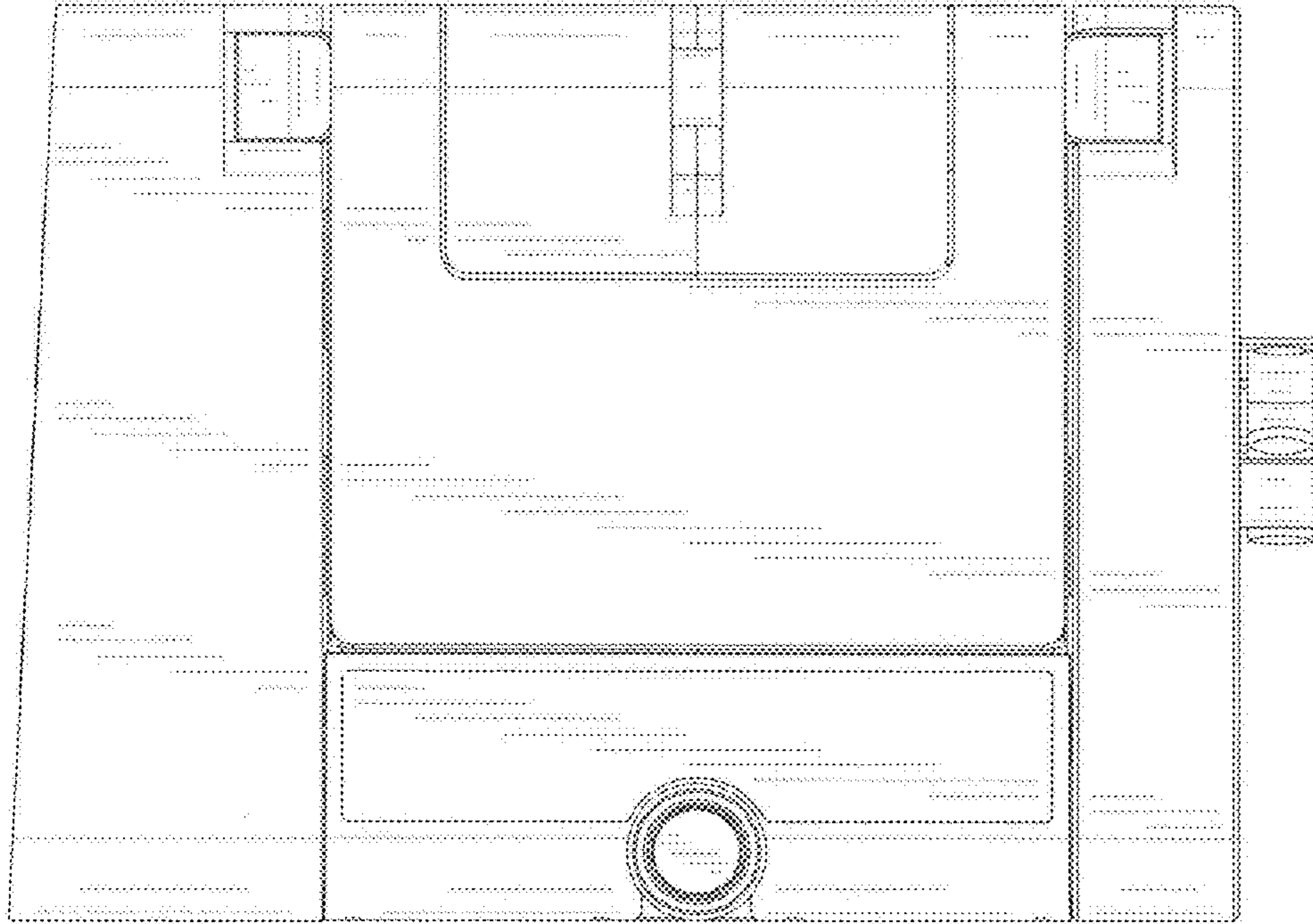


FIG. 4

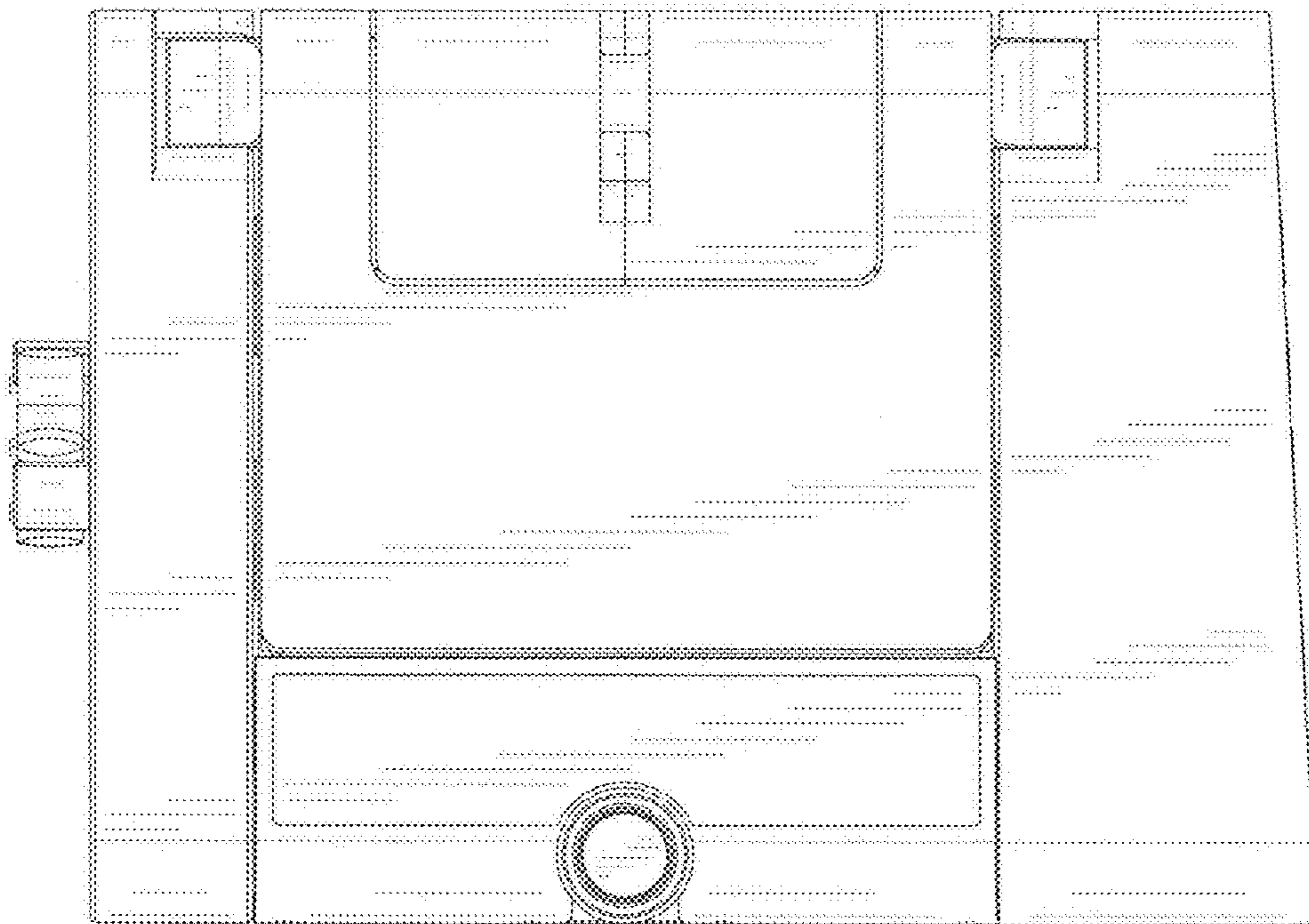


FIG. 5

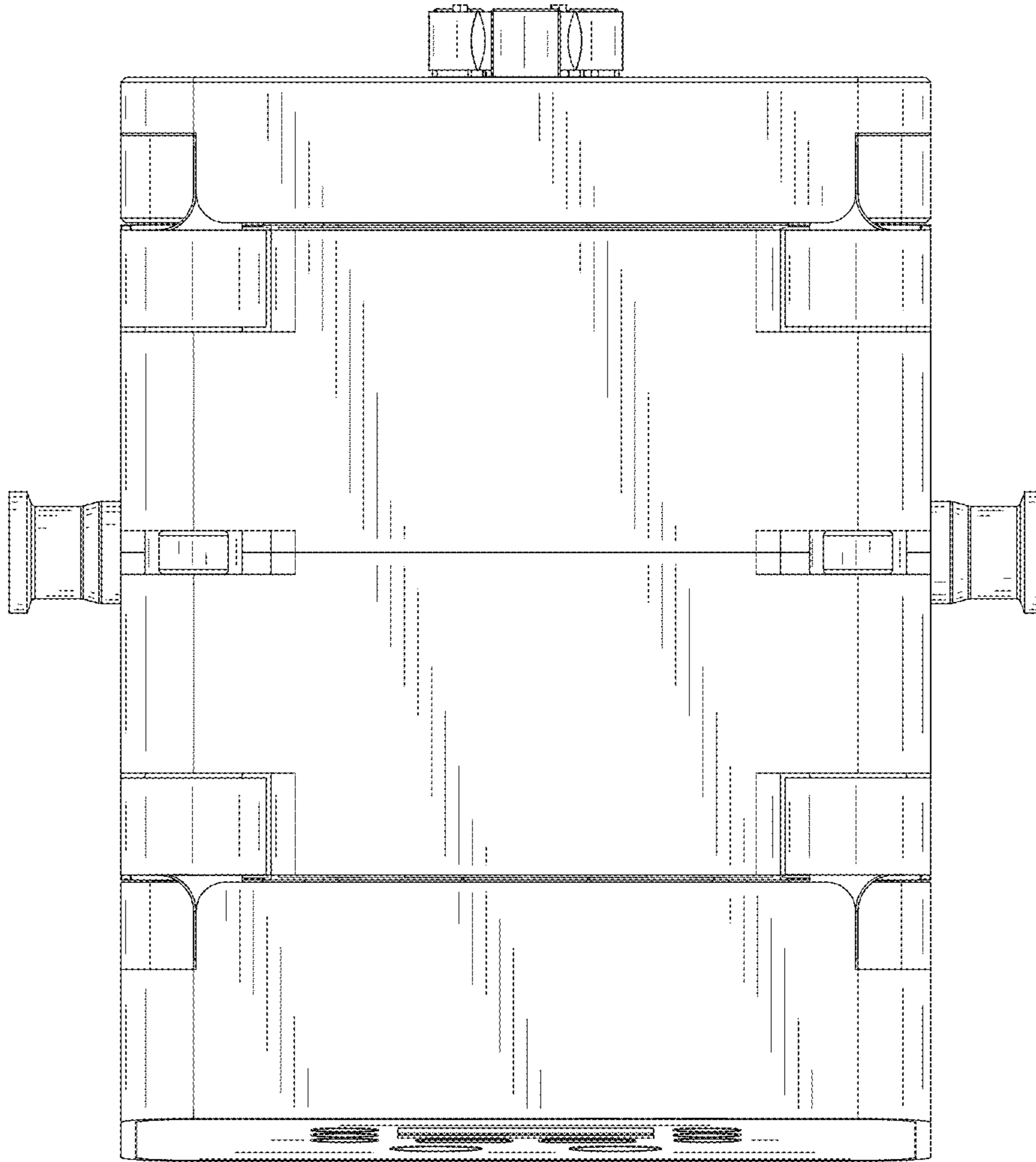


FIG. 6

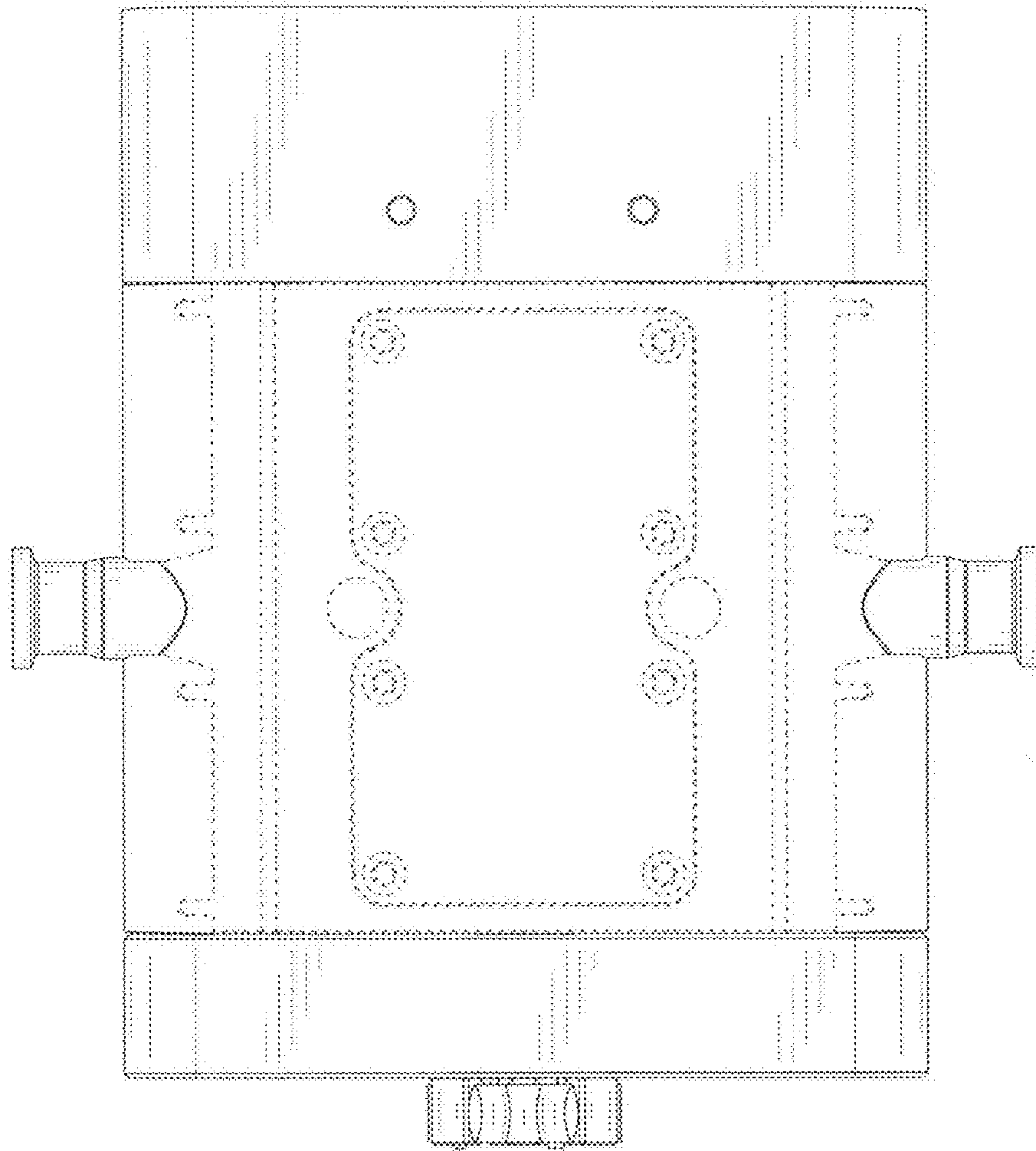


FIG. 7