



US00D826282S

(12) **United States Design Patent**  
**Mead et al.**

(10) **Patent No.:** **US D826,282 S**

(45) **Date of Patent:** **\*\* Aug. 21, 2018**

(54) **FLUID PUMP HEAD**

D511,530 S \* 11/2005 Wang ..... D15/7  
D512,440 S \* 12/2005 Wang ..... D15/7  
D618,705 S \* 6/2010 Sadachika ..... D15/7

(71) Applicant: **Watson-Marlow Limited**, Cornwall  
(GB)

(Continued)

(72) Inventors: **Robert Mead**, Cornwall (GB); **Steven Brokenshire**, Cornwall (GB)

FOREIGN PATENT DOCUMENTS

CN 301939608 S 5/2012  
TW D118099 7/2007

(73) Assignee: **Watson-Marlow Limited**, Cornwall  
(GB)

(Continued)

(\*\*) Term: **15 Years**

OTHER PUBLICATIONS

(21) Appl. No.: **29/601,716**

Taiwanese Search Report for Application 105307939 dated Nov. 28, 2016.

(22) Filed: **Apr. 25, 2017**

*Primary Examiner* — Ralf T Seifert

(30) **Foreign Application Priority Data**

(74) *Attorney, Agent, or Firm* — Honigman Miller  
Schwartz and Cohn LLP

Nov. 28, 2016 (EM) ..... 003487800

(51) **LOC (11) Cl.** ..... **15-02**

(57) **CLAIM**

The ornamental design for a fluid pump head, as shown and described.

(52) **U.S. Cl.**

USPC ..... **D15/7**

**DESCRIPTION**

(58) **Field of Classification Search**

USPC ..... D15/7-9; D23/231, 232, 225; 417/60,  
417/235, 265, 321, 355, 358, 363, 359,  
417/410.1, 415-416, 405, 900, 269, 539;  
60/408, 412; 184/26-37; 415/140-147;  
123/495, 509; 137/565.34

FIG. 1 is a front/left side isometric view of a fluid pump head;

FIG. 2 is a front elevational view of the fluid pump head of FIG. 1;

FIG. 3 is a rear elevational view of the fluid pump head of FIG. 1;

FIG. 4 is a right side elevational view of the fluid pump head of FIG. 1;

FIG. 5 is a left side elevational view of the fluid pump head of FIG. 1;

FIG. 6 is a top view of the fluid pump head of FIG. 1; and,  
FIG. 7 is a bottom view of the fluid pump head of FIG. 1.

The broken lines used in various Figures are included for the purpose of illustrating portions of fluid pump head that form no part of the claimed design.

CPC ..... F02M 37/04; F02M 37/14; F04B 53/92;  
F04B 1/005; F04D 13/06; F04D 29/22;  
F04D 29/046; F04D 29/2266

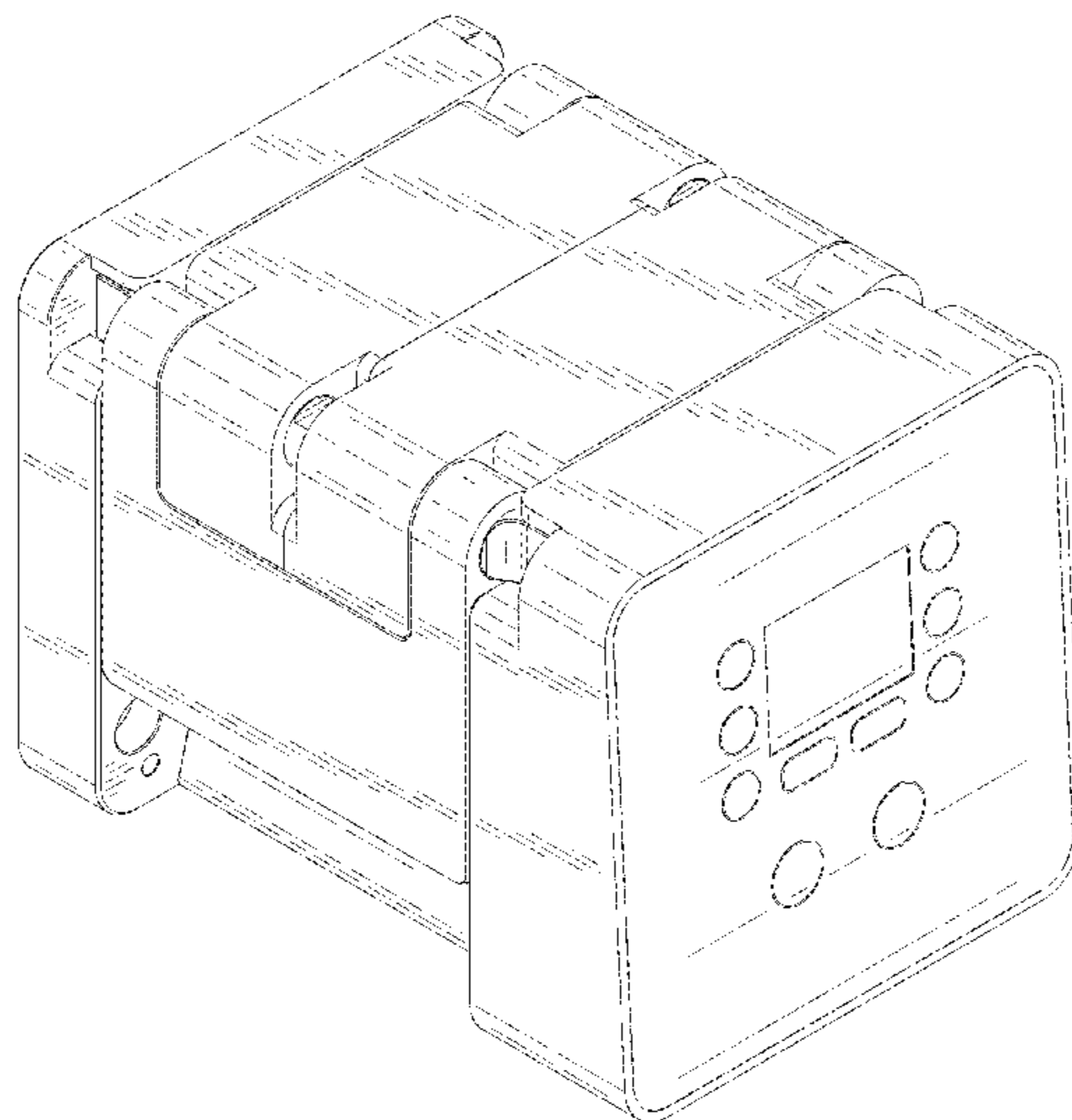
See application file for complete search history.

(56) **References Cited**

U.S. PATENT DOCUMENTS

D376,370 S \* 12/1996 Davis ..... D15/7  
D404,400 S \* 1/1999 Wang ..... D15/7  
D448,778 S \* 10/2001 Iwata ..... D15/7  
D454,886 S \* 3/2002 Ohya ..... D15/7

**1 Claim, 5 Drawing Sheets**



(56)

**References Cited**

U.S. PATENT DOCUMENTS

D633,925 S \* 3/2011 Sadachika ..... D15/7  
D759,727 S \* 6/2016 Jiang ..... D15/9

FOREIGN PATENT DOCUMENTS

TW D148542 8/2012  
TW D149354 9/2012

\* cited by examiner

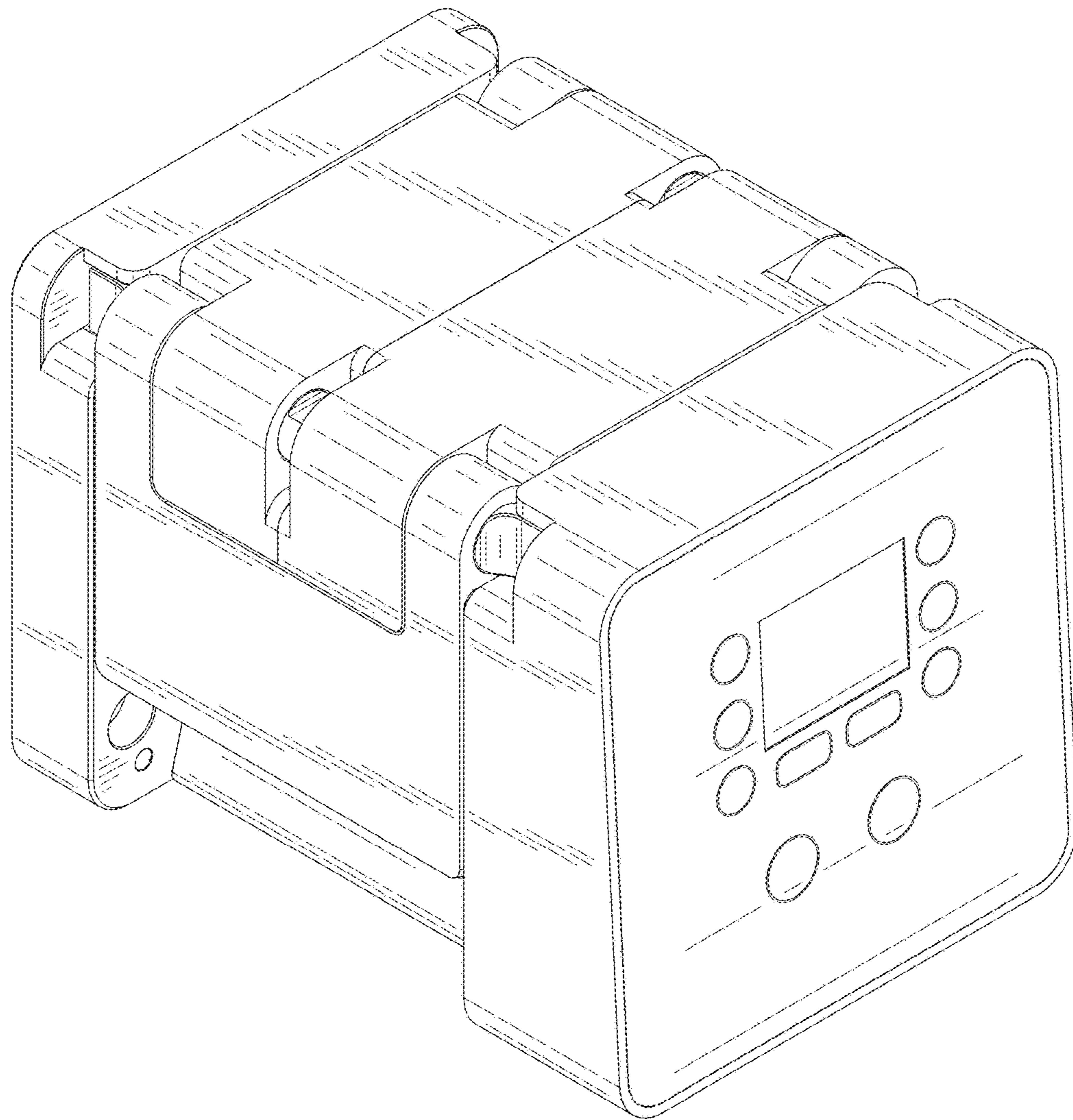


FIG. 1

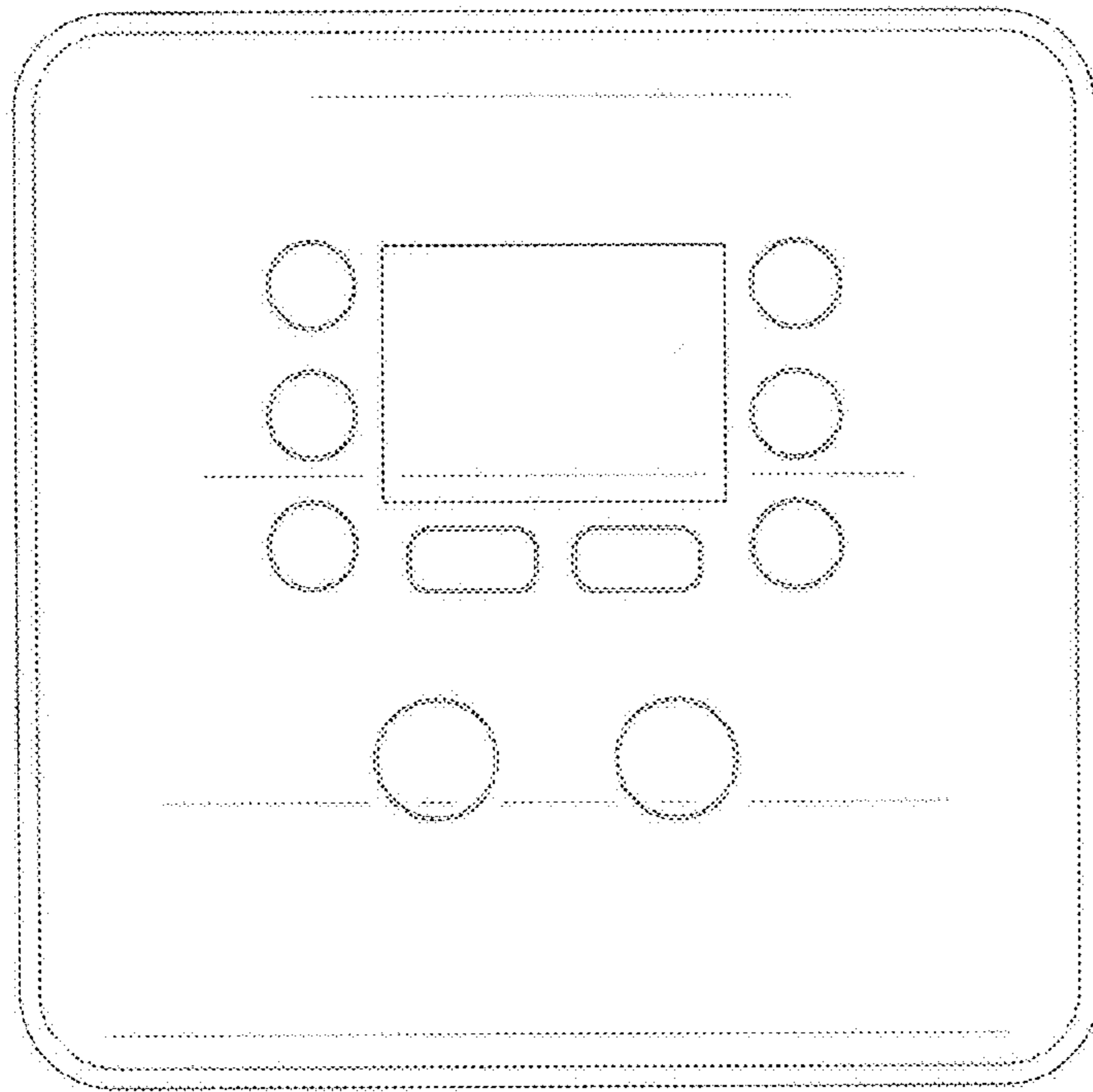


FIG. 2

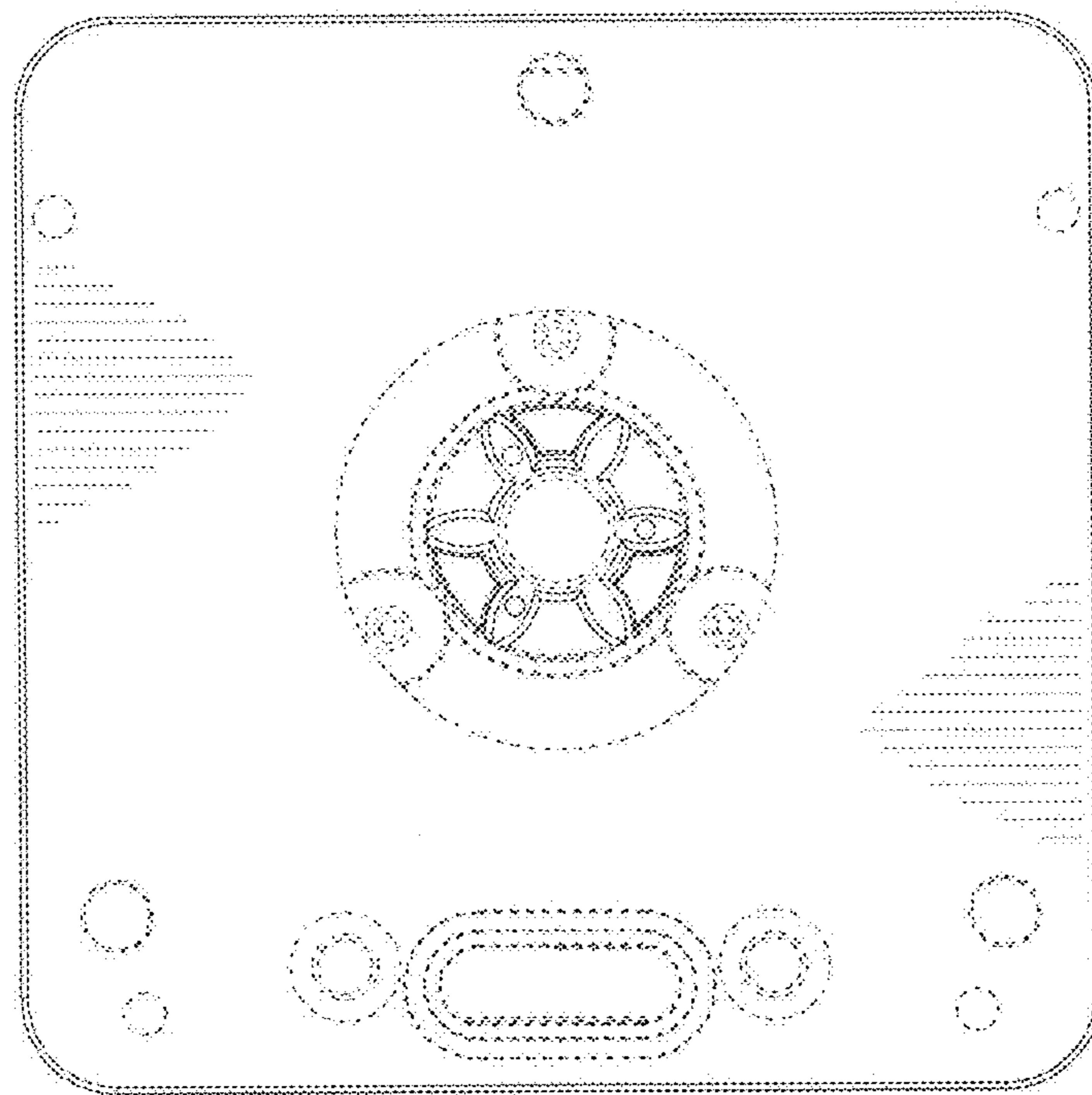


FIG. 3



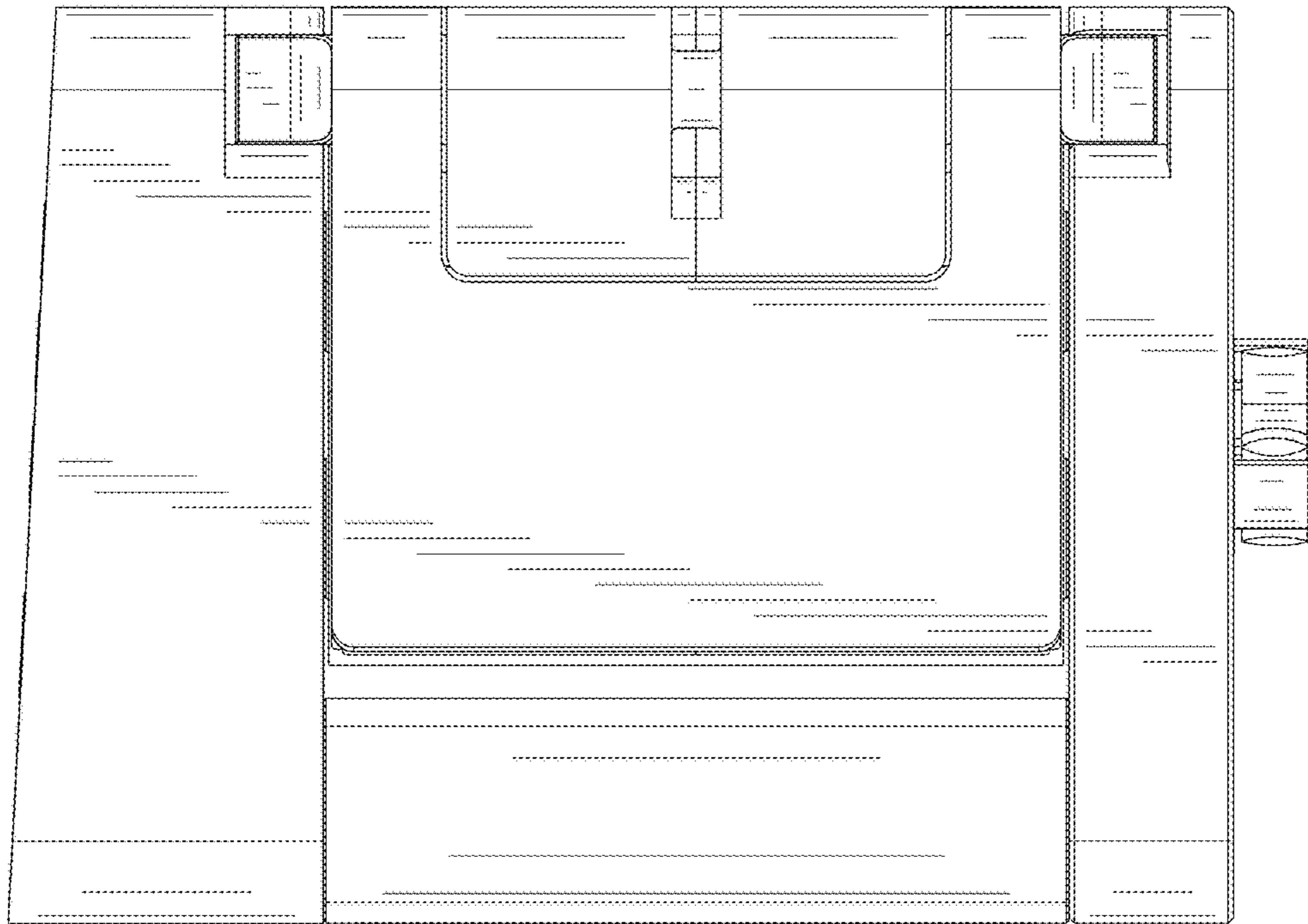


FIG. 4

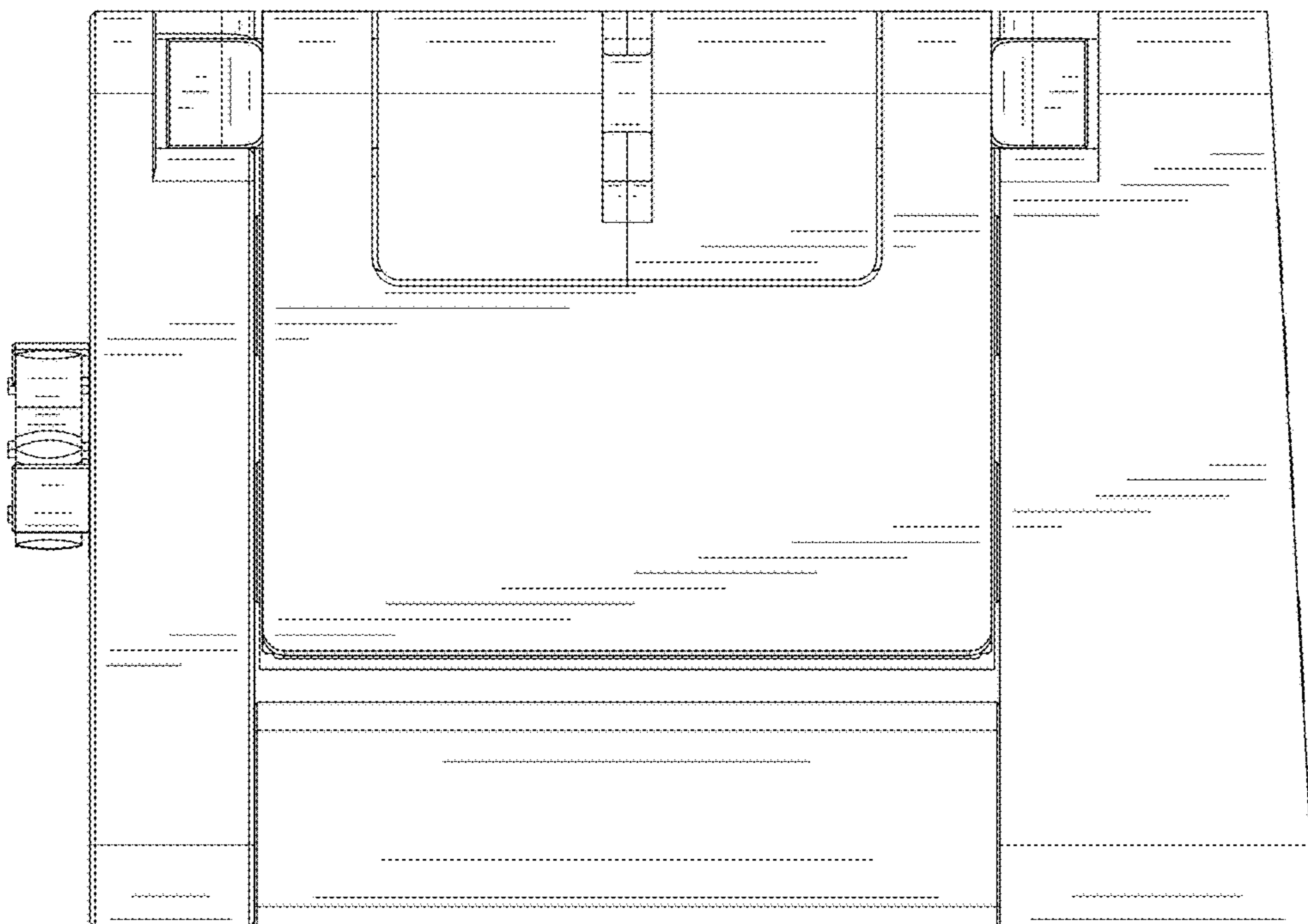


FIG. 5

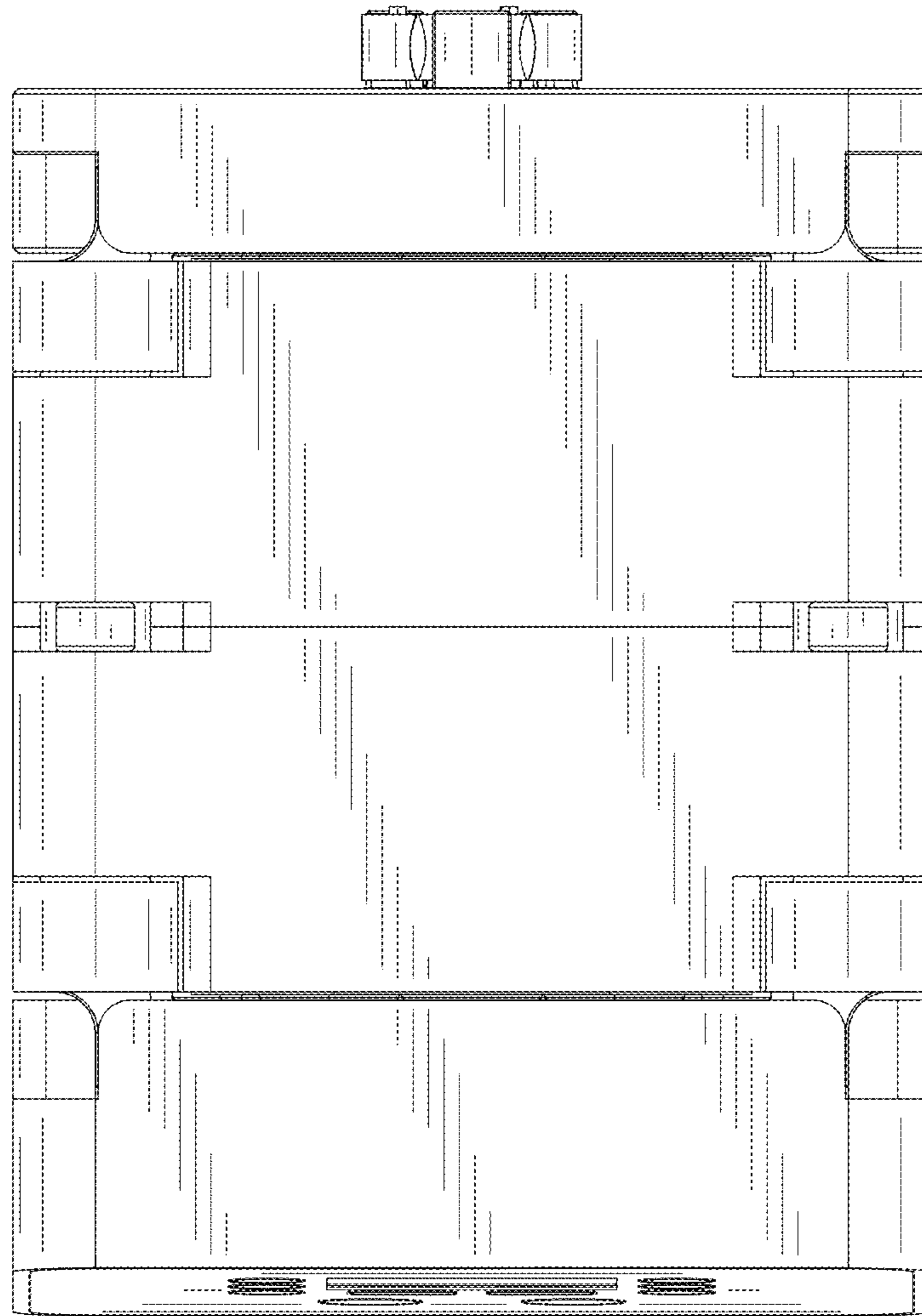


FIG. 6

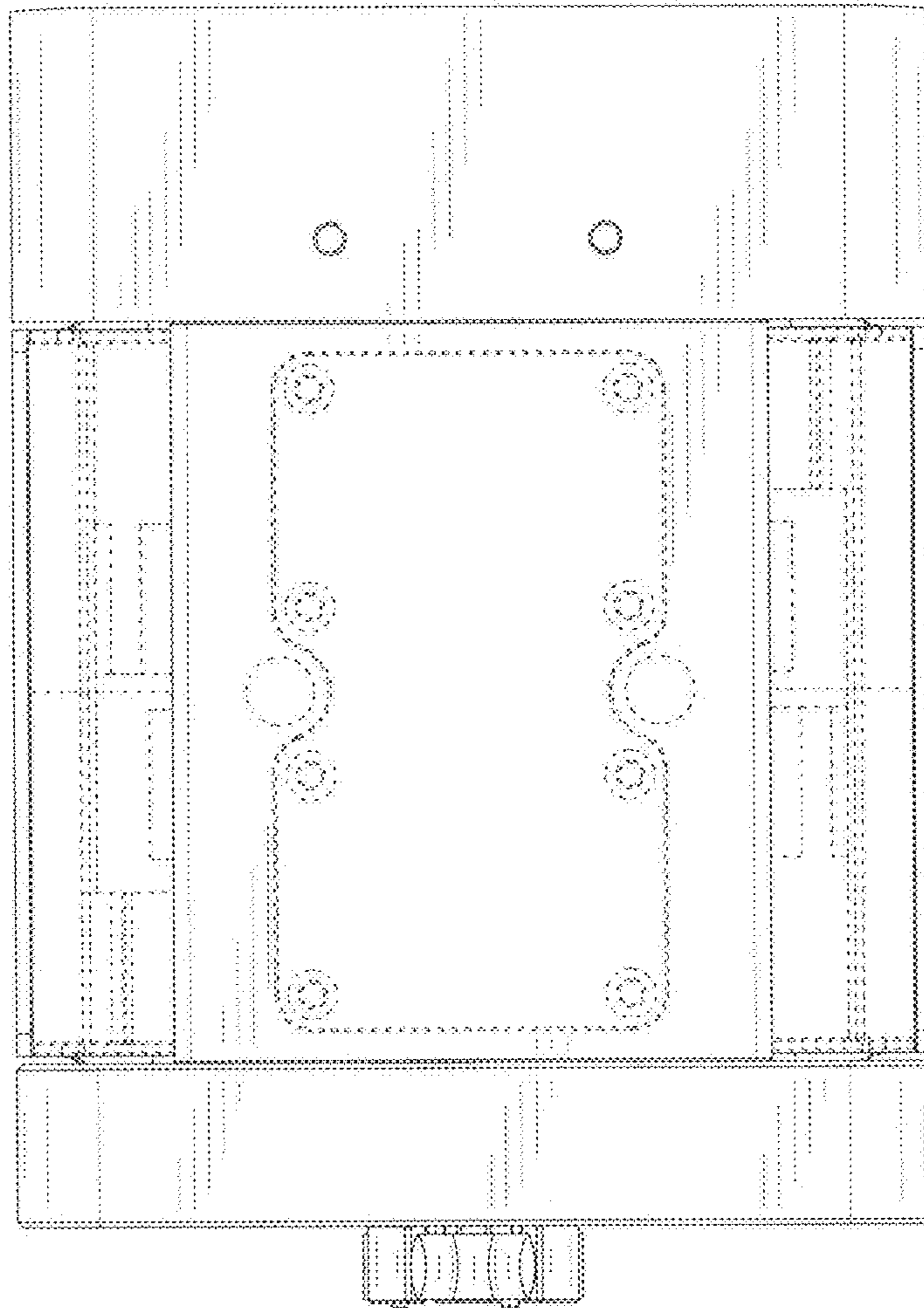


FIG. 7