



US00D826281S

(12) **United States Design Patent** (10) **Patent No.:** **US D826,281 S**
Mead et al. (45) **Date of Patent:** **** Aug. 21, 2018**

(54) **FLUID PUMP WITH HEAD AND CARTRIDGE**

(71) Applicant: **Watson-Marlow Limited**, Cornwall (GB)

(72) Inventors: **Robert Mead**, Cornwall (GB); **Steven Brokenshire**, Cornwall (GB)

(73) Assignee: **Watson-Marlow Limited**, Cornwall (GB)

(**) Term: **15 Years**

(21) Appl. No.: **29/601,714**

(22) Filed: **Apr. 25, 2017**

(30) **Foreign Application Priority Data**

Nov. 28, 2016 (EM) 003487800

(51) **LOC (11) Cl.** **15-02**

(52) **U.S. Cl.**
USPC **D15/7**

(58) **Field of Classification Search**
USPC D15/7-9; D23/231, 232, 225; 417/60, 417/235, 265, 321, 355, 358, 363, 359, 417/410.1, 415-416, 405, 900, 269, 539; 60/408, 412; 184/26-37; 415/140-147; 123/495, 509; 137/565.34
CPC F02M 37/04; F02M 37/14; F04B 53/92; F04B 1/005; F04D 13/06; F04D 29/22; F04D 29/046; F04D 29/2266
See application file for complete search history.

(56) **References Cited**

U.S. PATENT DOCUMENTS

D271,203 S * 11/1983 Schutt D15/9
D516,583 S * 3/2006 Strong D15/7
D633,925 S * 3/2011 Sadachika D15/7
D642,203 S * 7/2011 Yoshimura D15/9
D662,113 S * 6/2012 Johnson D15/7

D672,787 S * 12/2012 Soderstrom D15/7
D698,369 S * 1/2014 Meza D15/7
D759,727 S * 6/2016 Jiang D15/9
D761,326 S * 7/2016 Kienzle D15/9
D766,988 S * 9/2016 Crowsley D15/7
D778,323 S * 2/2017 Hashimoto D15/7
D781,921 S * 3/2017 Adachi D15/7

FOREIGN PATENT DOCUMENTS

CN 301939608 S 5/2012
TW D118099 7/2007
TW D148542 8/2012
TW D149354 9/2012

OTHER PUBLICATIONS

Taiwanese Search Report for Application 105307939 dated Nov. 28, 2016.

* cited by examiner

Primary Examiner — Ralf T Seifert

(74) *Attorney, Agent, or Firm* — Honigman Miller Schwartz and Cohn LLP

(57) **CLAIM**

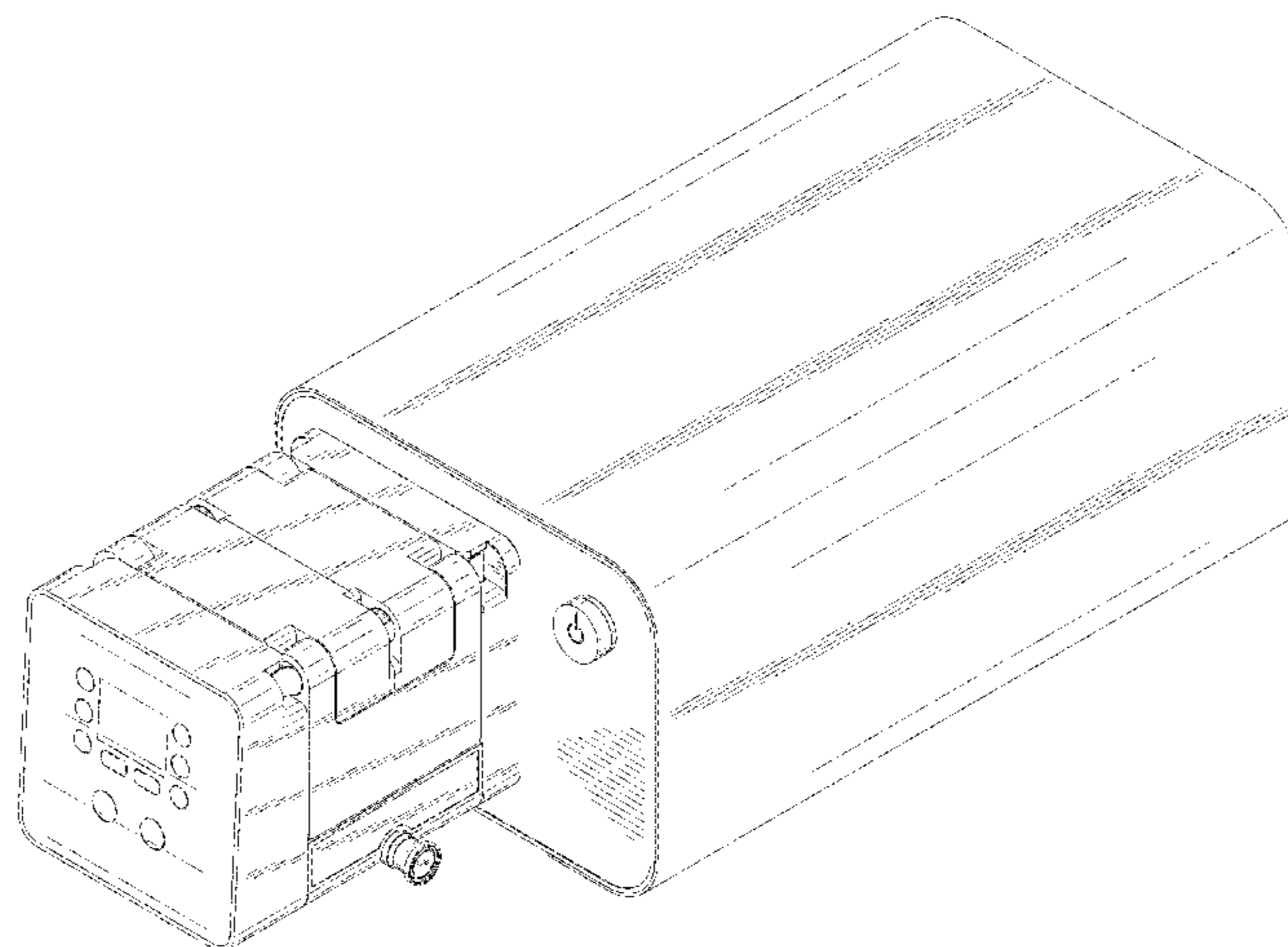
The ornamental design for a fluid pump with head and cartridge, as shown and described.

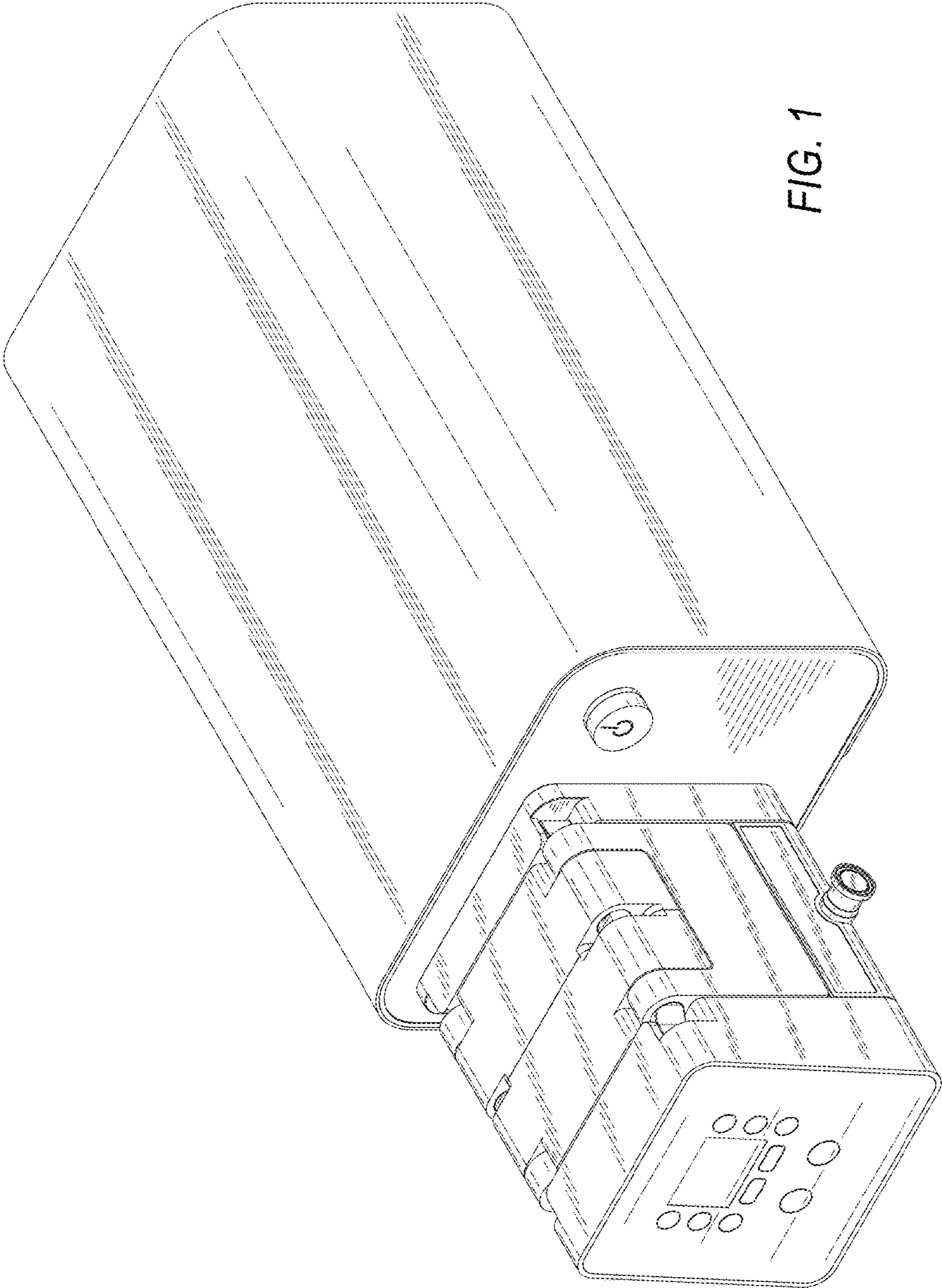
DESCRIPTION

FIG. 1 is a front/right side isometric view of a fluid pump with head and cartridge showing or new design; FIG. 2 is a front elevational view of FIG. 1; FIG. 3 is a rear elevational view of FIG. 1; FIG. 4 is a right side elevational view of FIG. 1; FIG. 5 is a left side elevational view of FIG. 1; FIG. 6 is a top plan view of FIG. 1; and, FIG. 7 is a bottom view of FIG. 1.

The broken lines used in FIGS. 4, 5 and 7 are included for the purpose of illustrating portions of the fluid pump with head and cartridge that form no part of the claimed design.

1 Claim, 6 Drawing Sheets





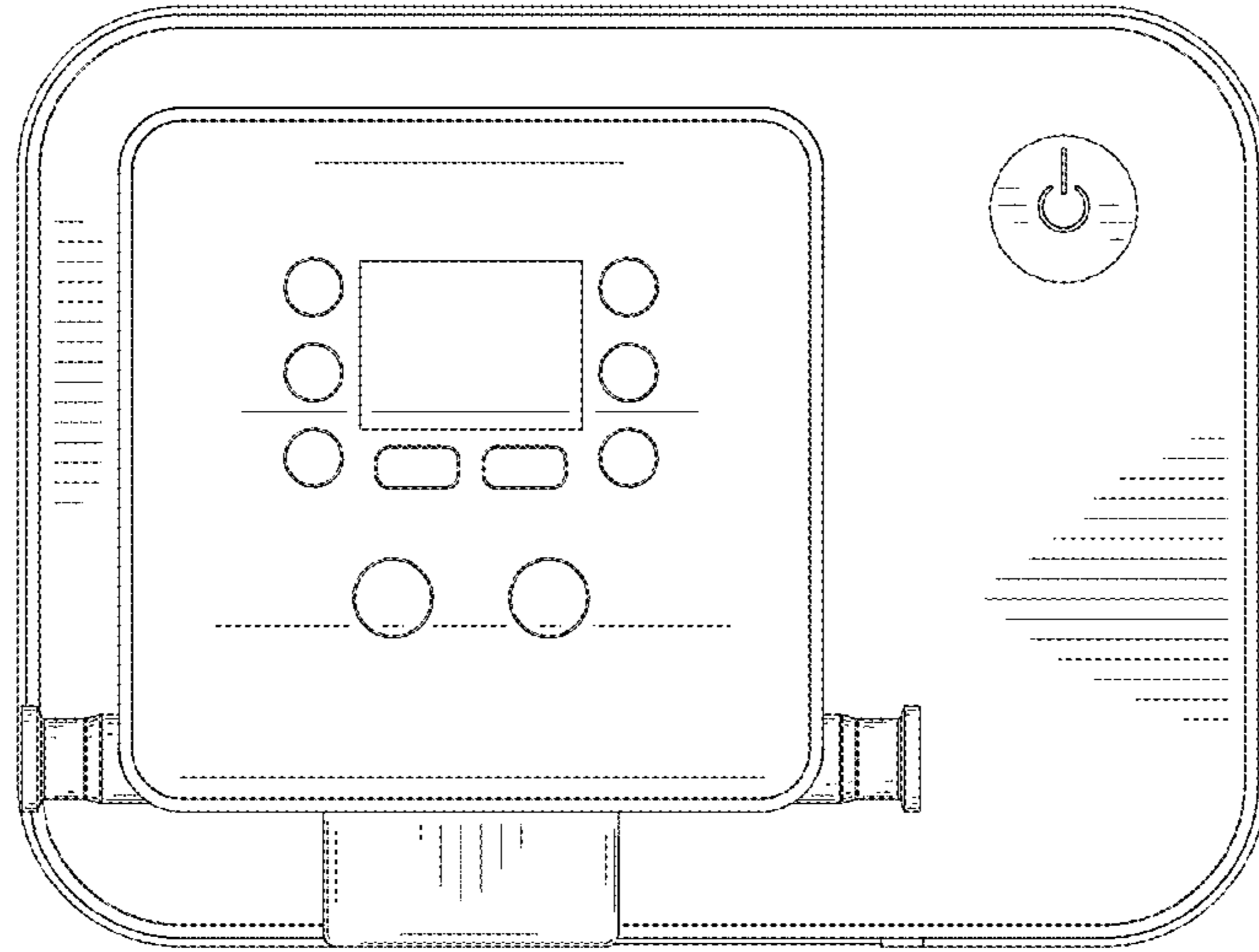


FIG. 2

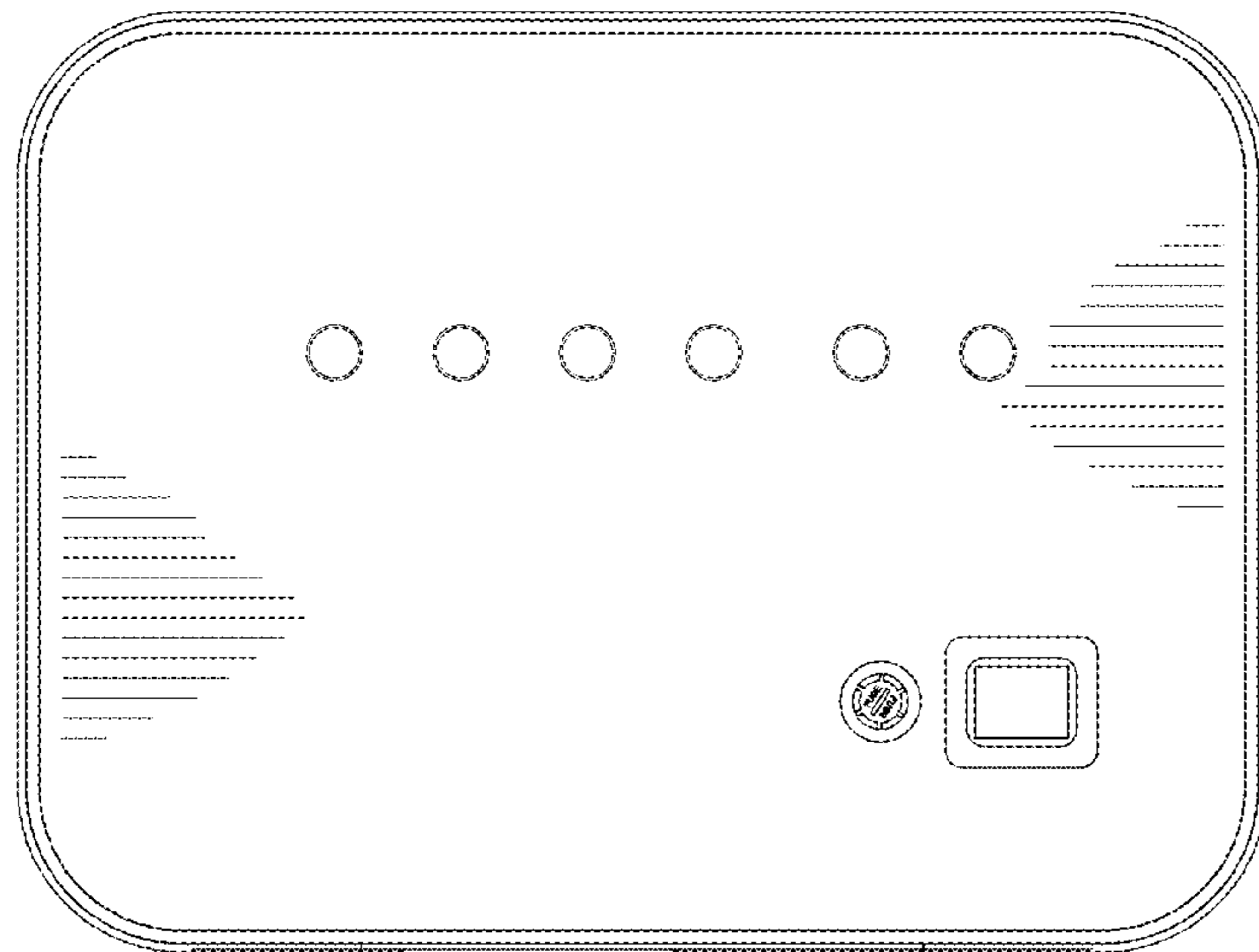


FIG. 3

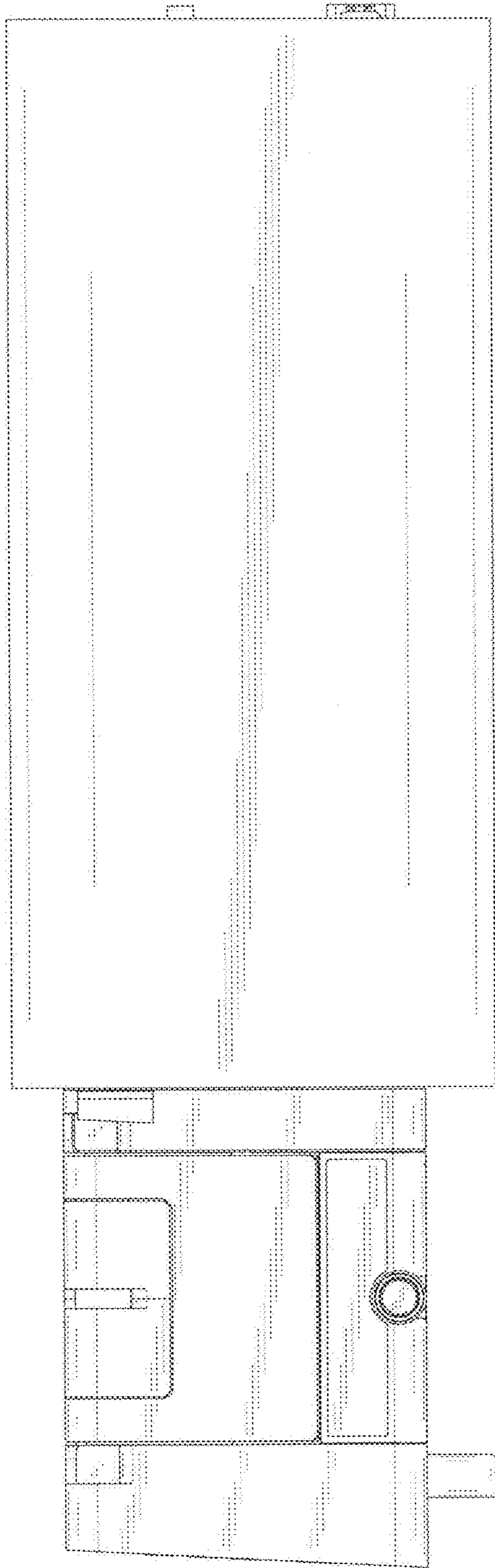


FIG. 4

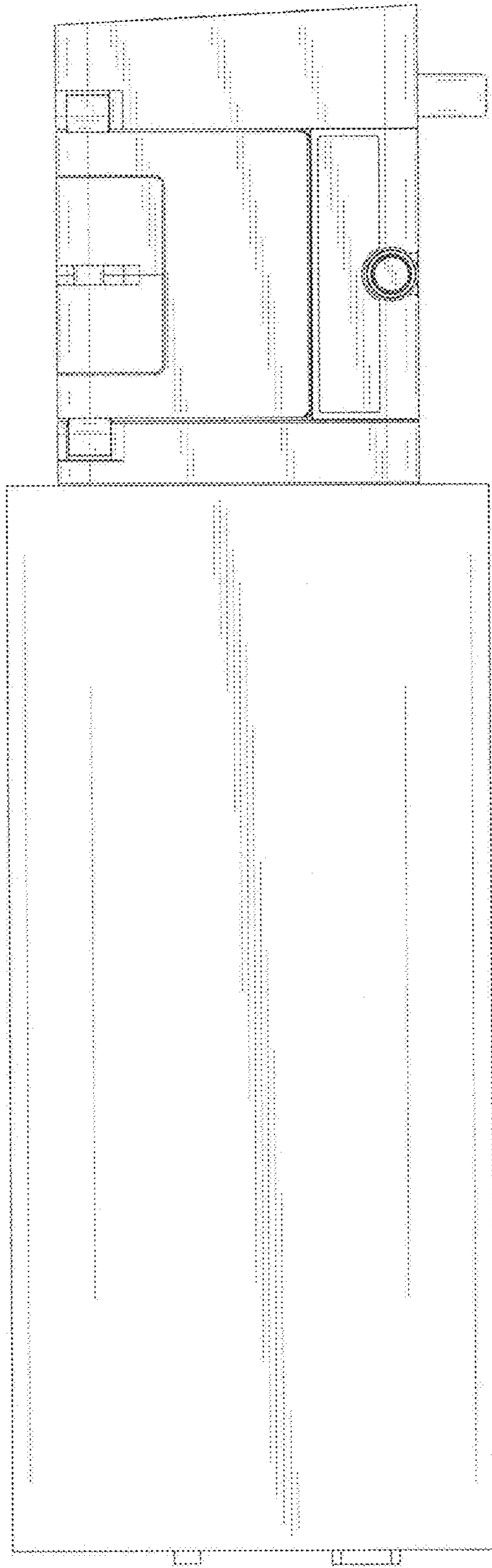


FIG. 5

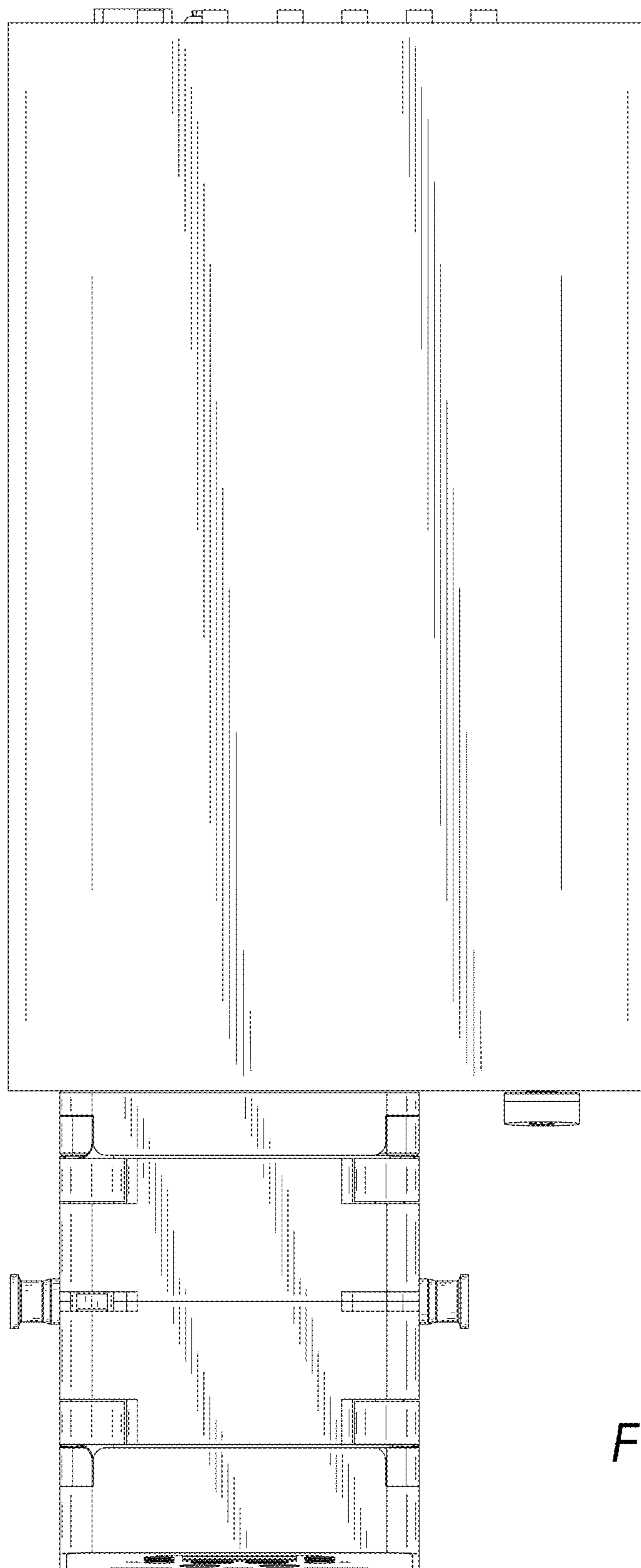


FIG. 6

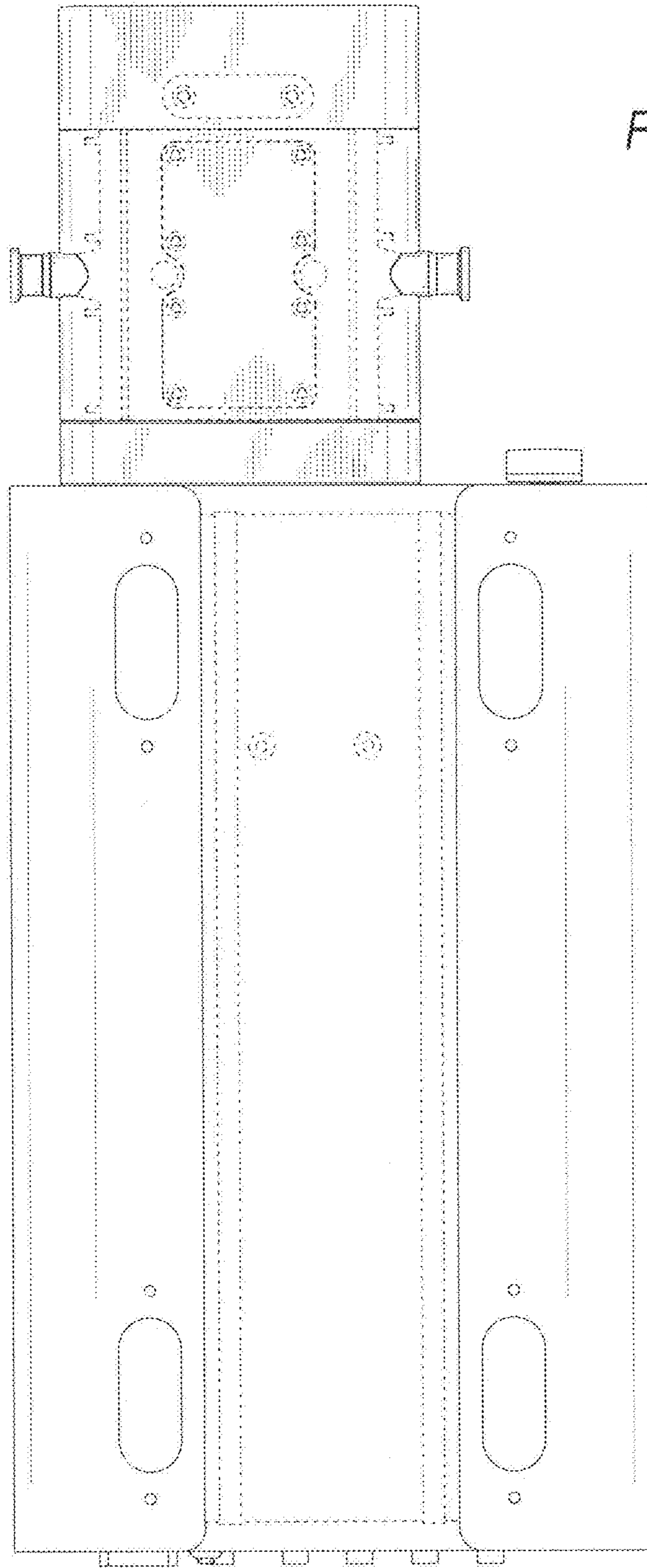


FIG. 7