



US00D826280S

(12) **United States Design Patent**  
**Koo et al.**

(10) **Patent No.:** **US D826,280 S**  
(45) **Date of Patent:** **\*\* Aug. 21, 2018**

(54) **ELECTRONICALLY CONTROLLED FUEL INJECTION THROTTLE BODY**

(71) Applicant: **DongGuan Transmission and Fuel Injection Technologies Co., Ltd.,**  
DongGuan (CN)

(72) Inventors: **Kam Pui Koo, DongGuan (CN);**  
**Jeremy Lynn Schmidt, DongGuan (CN);**  
**Gong Cheng, DongGuan (CN)**

(73) Assignee: **DONGGUAN TRANSMISSION AND FUEL INJECTION TECHNOLOGIES CO., LTD.,**  
Dongguan (CN)

(\*\*) Term: **15 Years**

(21) Appl. No.: **29/535,787**

(22) Filed: **Aug. 10, 2015**

(51) **LOC (11) Cl.** ..... **15-01**

(52) **U.S. Cl.**  
USPC ..... **D15/6**

(58) **Field of Classification Search**  
USPC ..... D15/1-6  
CPC ..... F02M 1/00; F02M 13/00; F02M 17/00;  
F02M 37/00; F02M 7/17; F02M 69/52;  
F02M 69/043; F02M 69/462; F02M  
51/005; F02M 63/0056; F02M 63/02;  
F02M 71/00; F02M 61/145; F02M  
63/0275; F02M 63/0047; F02D 9/1035;  
F02D 35/0092; F02D 35/0053  
See application file for complete search history.

(56) **References Cited**

**U.S. PATENT DOCUMENTS**

3,104,272 A \* 9/1963 Carlson ..... F02M 1/00  
261/23.2  
3,294,374 A \* 12/1966 Smith ..... F02M 1/10  
123/579

4,348,338 A \* 9/1982 Martinez ..... F02M 3/08  
123/518  
5,667,730 A \* 9/1997 Barfield ..... F02M 1/16  
261/18.3  
5,807,512 A \* 9/1998 Grant ..... F02M 9/14  
261/23.2  
5,809,972 A \* 9/1998 Grant ..... F02M 71/00  
123/472  
5,863,470 A \* 1/1999 Grant ..... F02M 9/14  
261/23.2  
6,120,007 A \* 9/2000 Grant ..... F02M 9/14  
261/23.2  
6,286,817 B1 \* 9/2001 Grant ..... F02M 5/12  
116/276  
D508,496 S \* 8/2005 Grant ..... D15/6  
(Continued)

*Primary Examiner* — T Chase Nelson

*Assistant Examiner* — Ania Aman

(74) *Attorney, Agent, or Firm* — Ming Chow; Sinorica, LLC

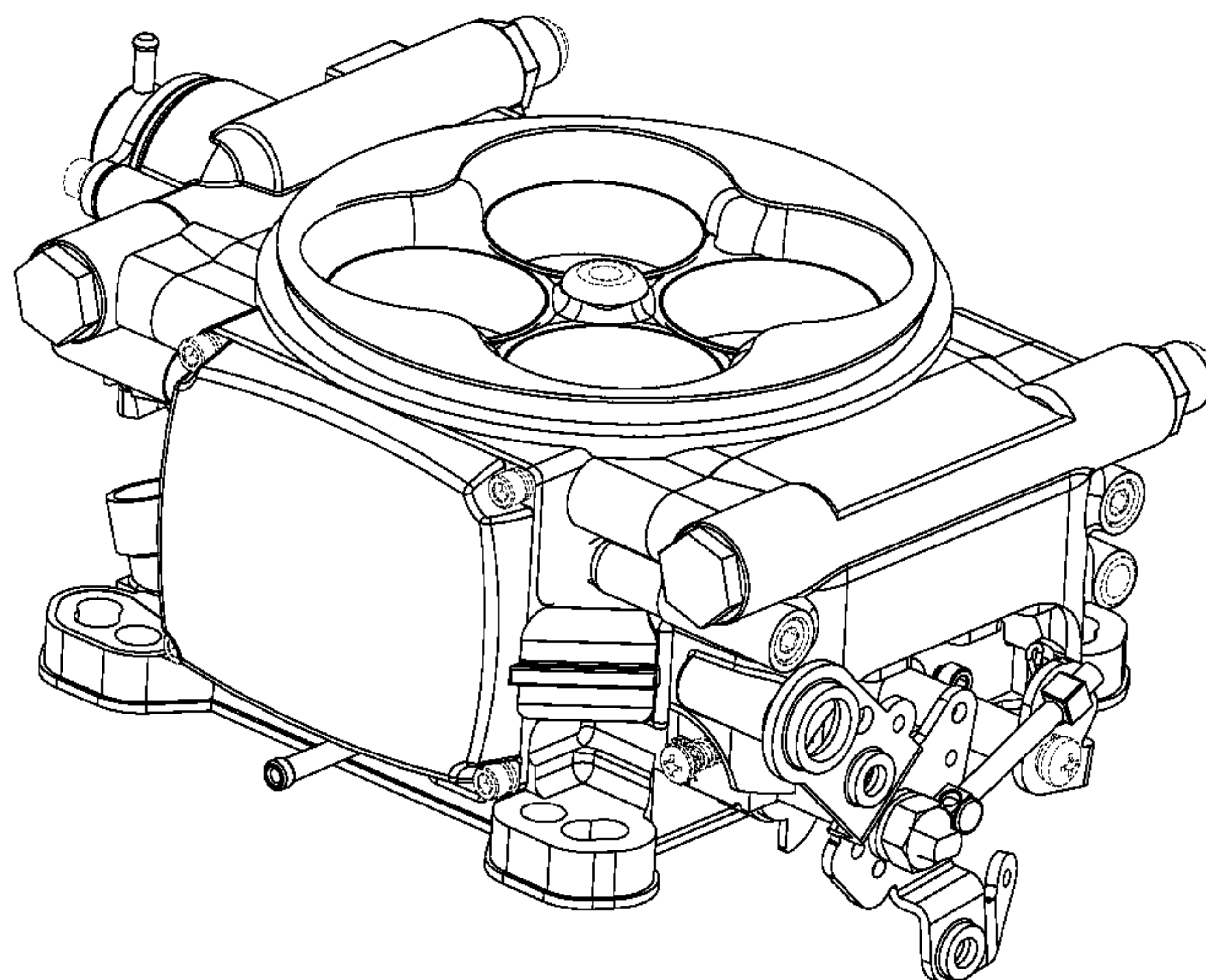
(57) **CLAIM**

The ornamental design for an electronically controlled fuel injection throttle body, as shown and described.

**DESCRIPTION**

FIG. 1 is a perspective view of the electronically controlled fuel injection throttle body showing my new design; FIG. 2 is a front elevation view thereof; FIG. 3 is a rear elevation view thereof; FIG. 4 is left side view thereof; FIG. 5 is right side view thereof; FIG. 6 is a top plan view thereof; FIG. 7 is a bottom plan view thereof; and, FIG. 8 is another perspective view thereof. The broken lines are for the purpose of illustrating environment structure and form no part of the claimed design.

**1 Claim, 8 Drawing Sheets**



(56)

**References Cited**

U.S. PATENT DOCUMENTS

7,735,475 B2 \* 6/2010 Farrell ..... F02M 35/10032  
123/336  
D619,621 S \* 7/2010 Braswell ..... D15/6  
D748,149 S \* 1/2016 Laws ..... D15/6  
9,303,578 B2 \* 4/2016 Wittkopf ..... F02D 41/08  
D760,804 S \* 7/2016 Shehan ..... D15/6  
9,482,198 B1 \* 11/2016 Farrell ..... F02M 69/52  
2007/0013086 A1 \* 1/2007 Cooper ..... F02M 5/12  
261/70  
2009/0145406 A1 \* 6/2009 Farrell ..... F02M 35/10032  
123/470  
2010/0077993 A1 \* 4/2010 Satterfield ..... F02M 13/00  
123/439  
2013/0298868 A1 \* 11/2013 Wittkopf ..... F02D 41/08  
123/339.14  
2013/0298871 A1 \* 11/2013 Bennett ..... F02M 35/10216  
123/445  
2014/0123944 A1 \* 5/2014 Benoit ..... F02M 17/34  
123/445

\* cited by examiner

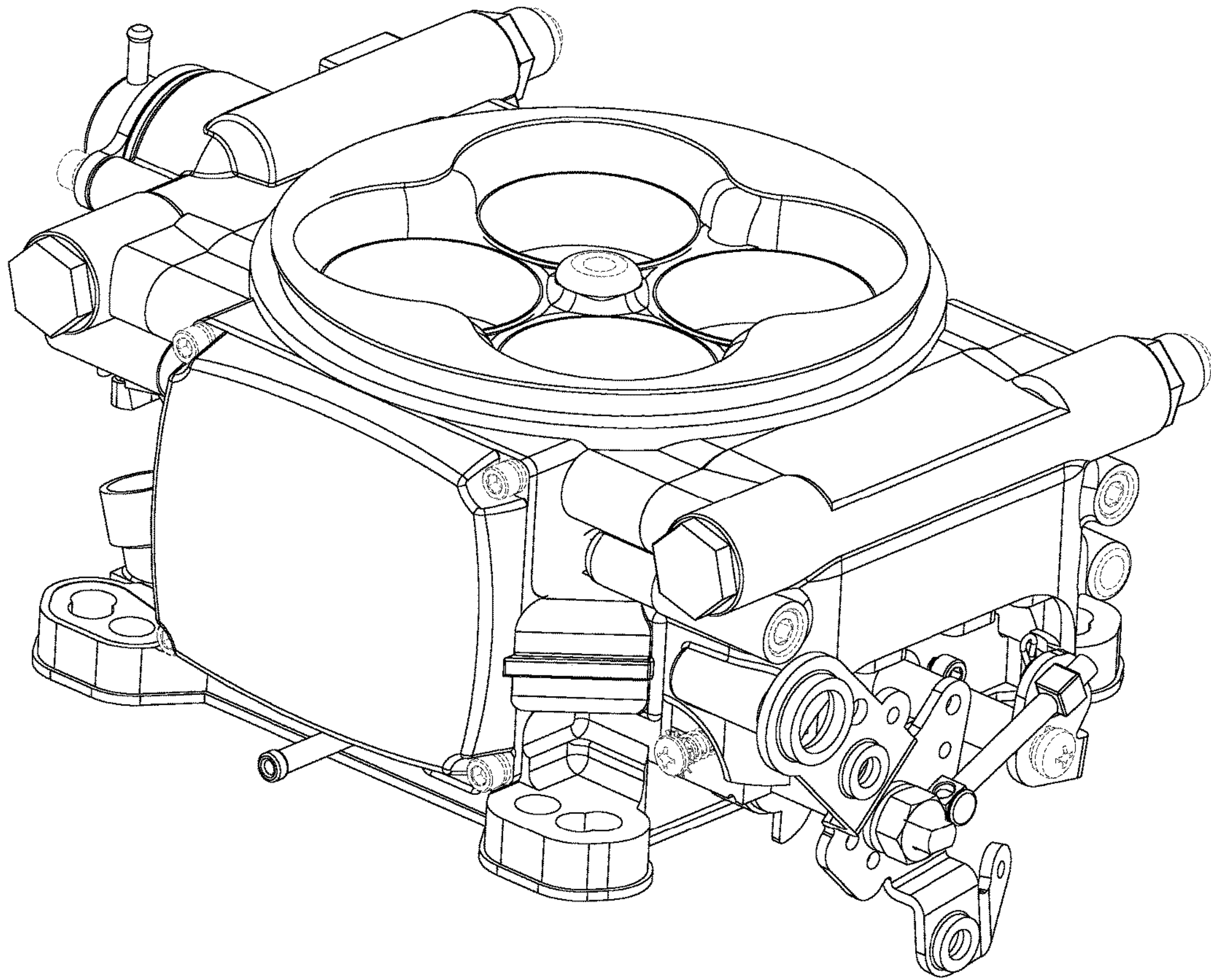


FIG.1

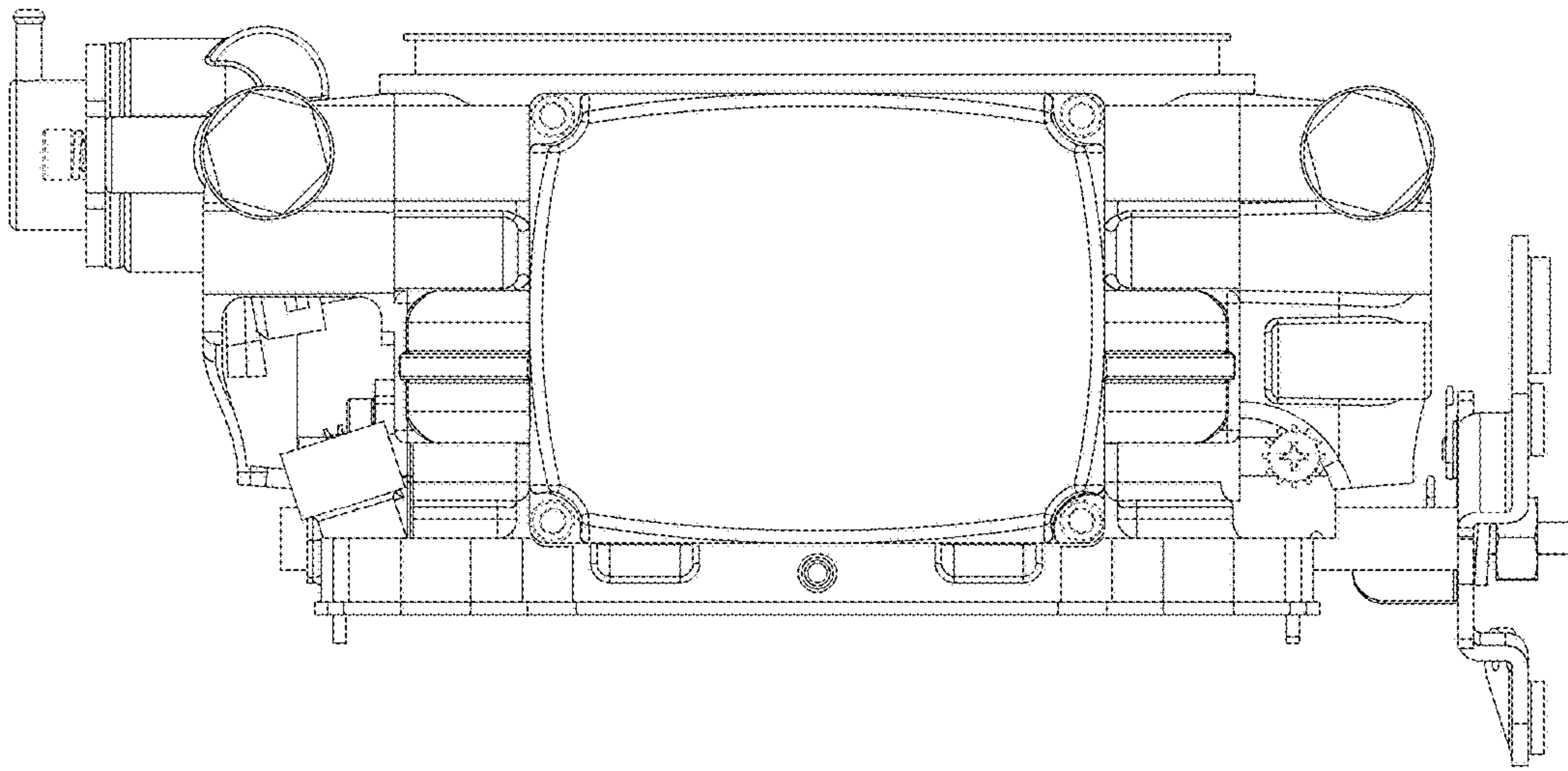


FIG.2



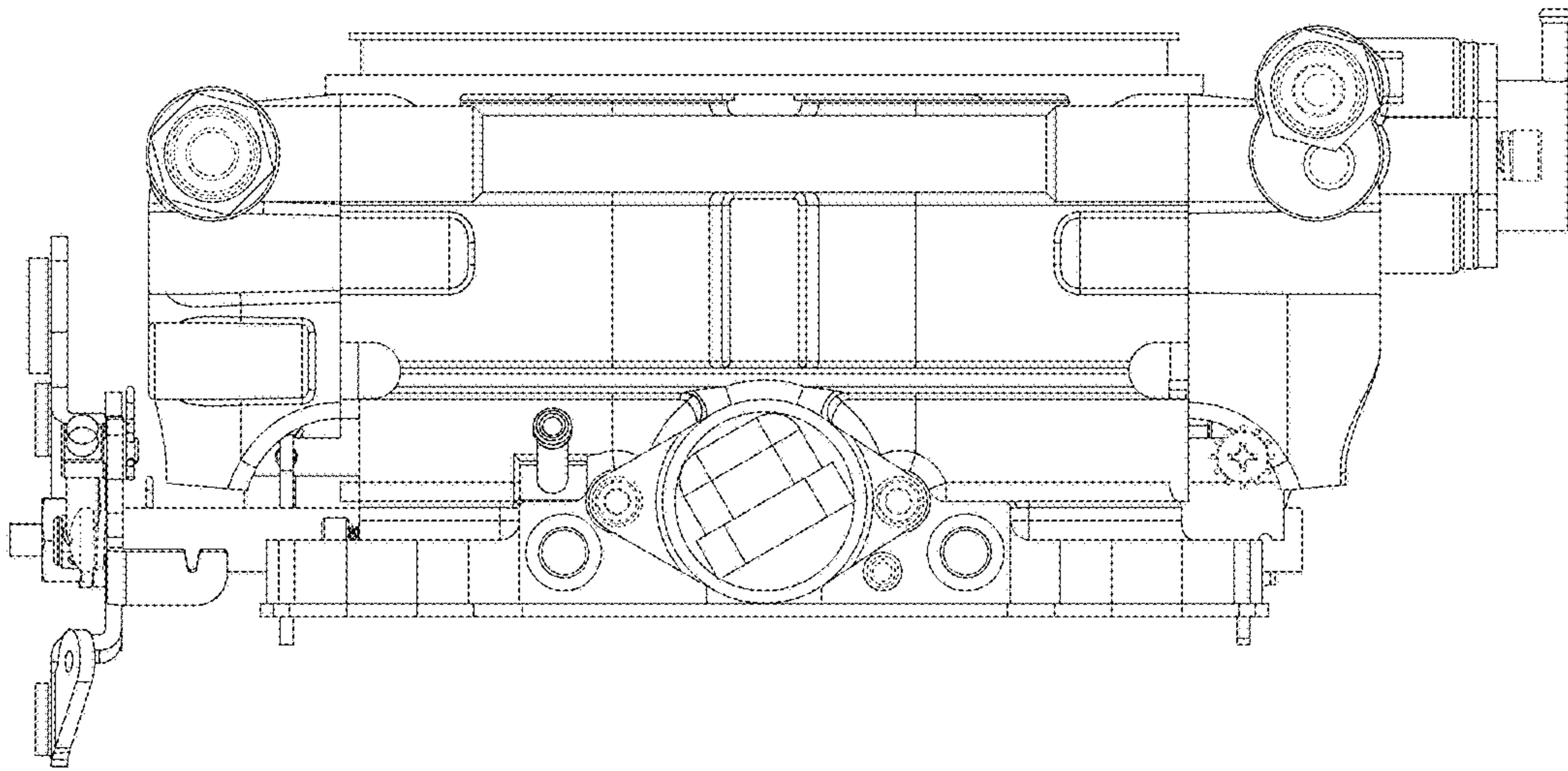


FIG.3

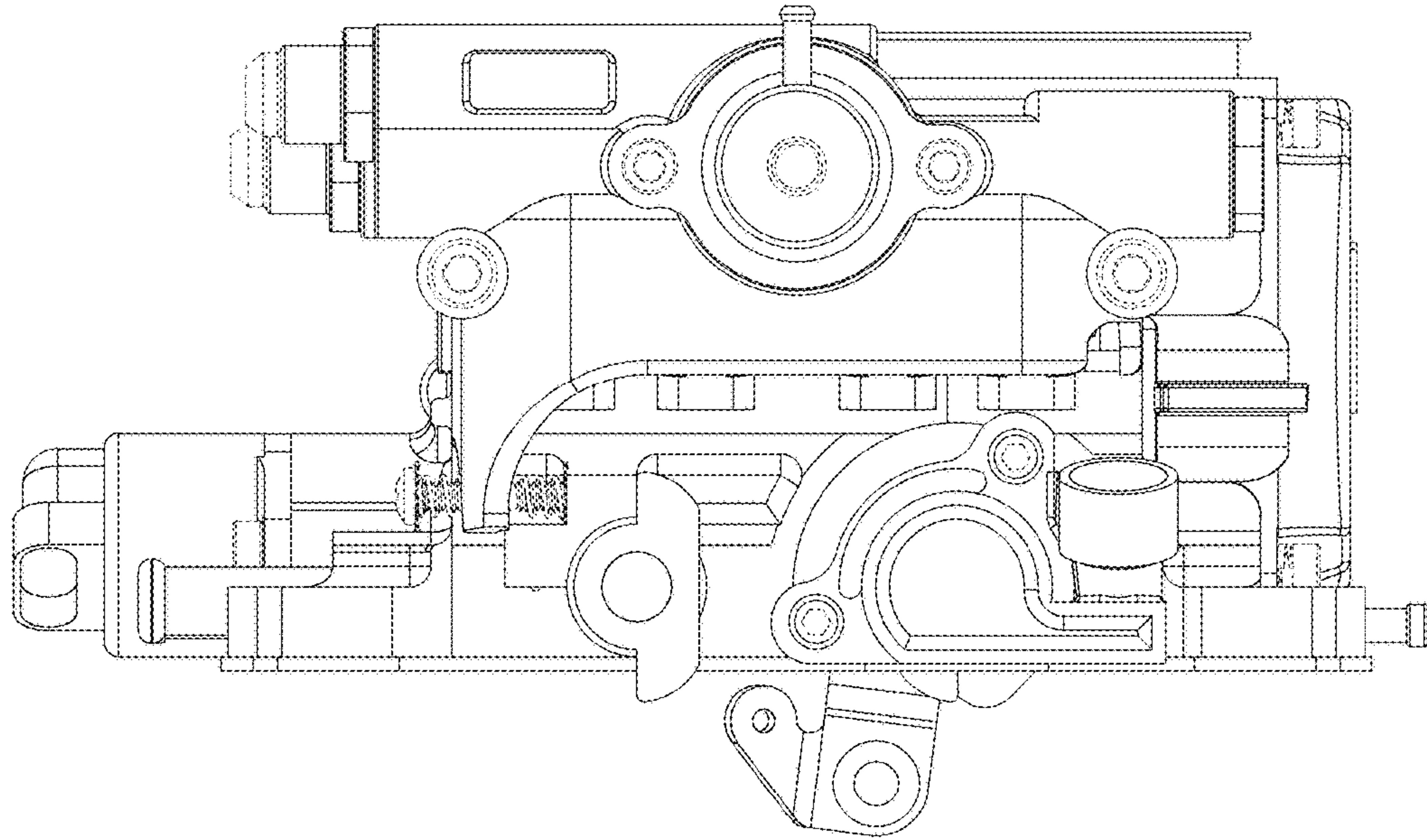


FIG.4

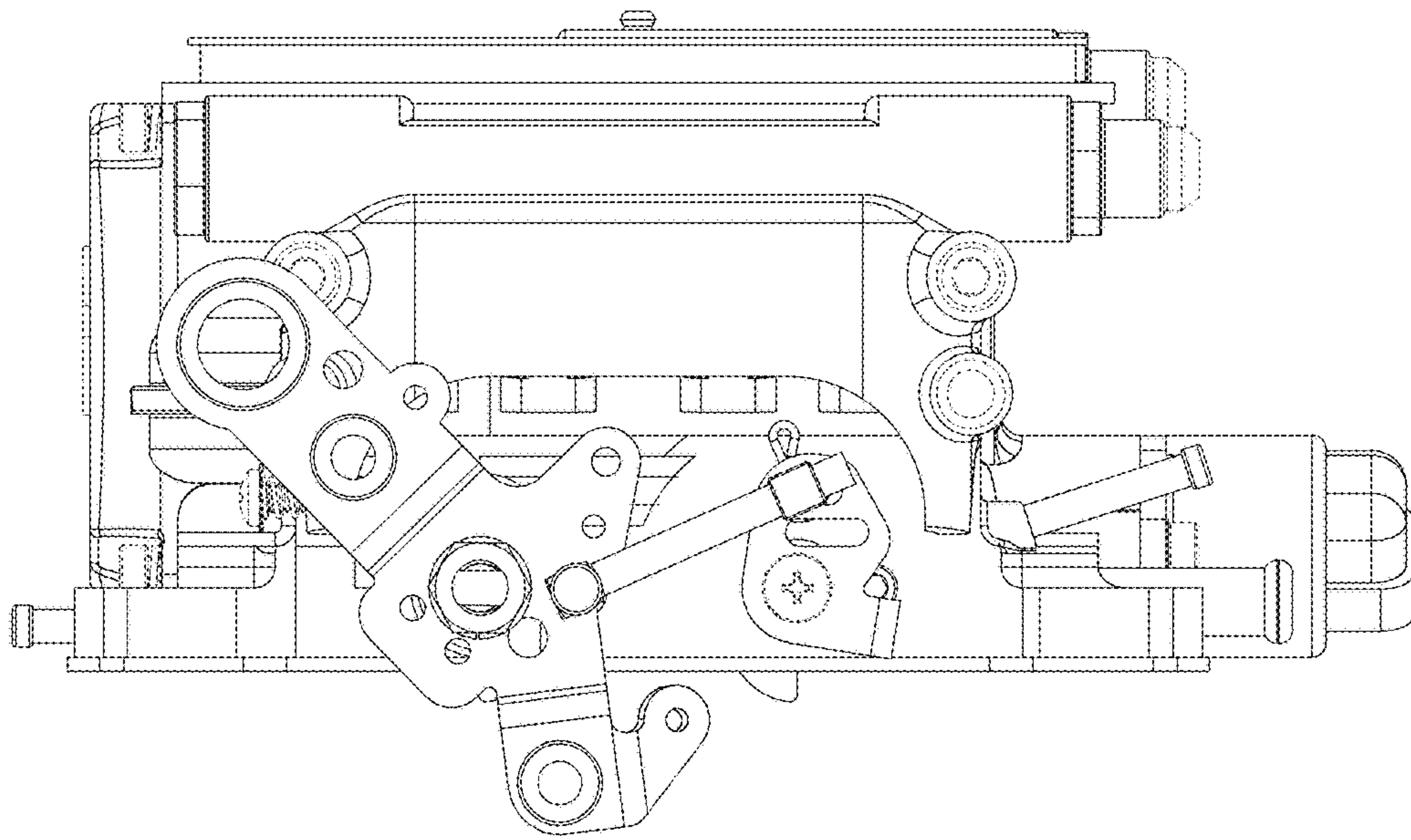


FIG.5

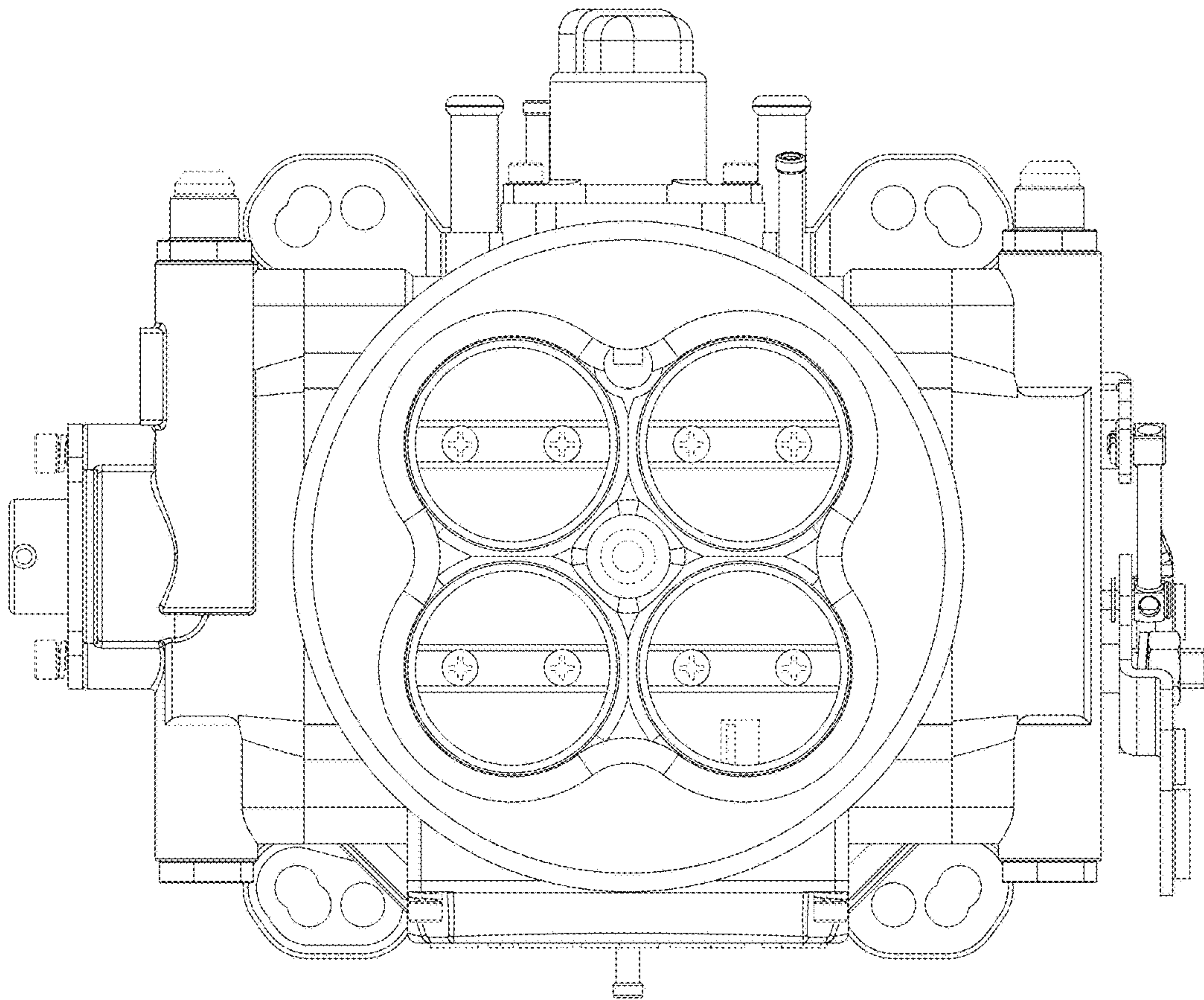


FIG.6



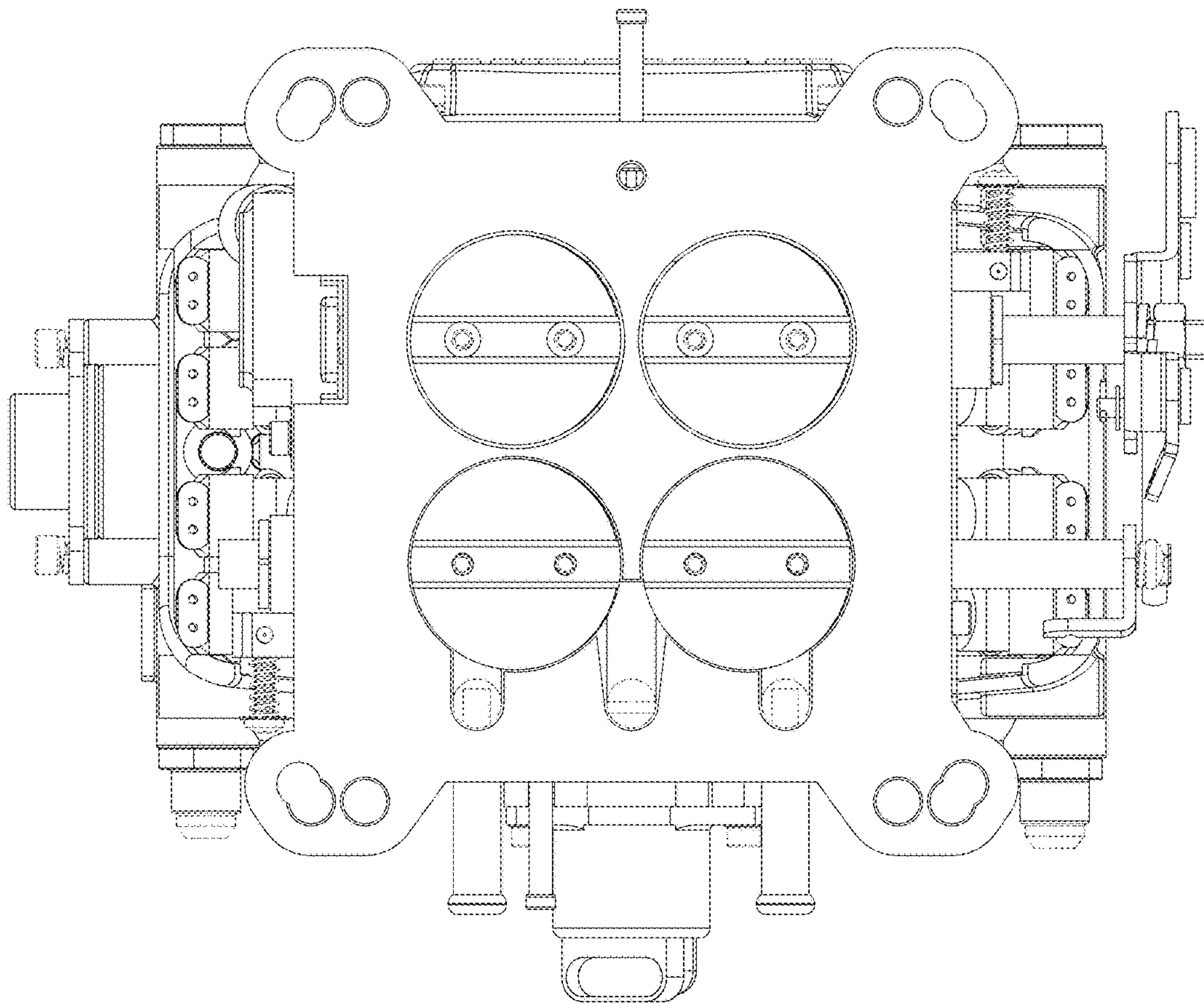


FIG.7

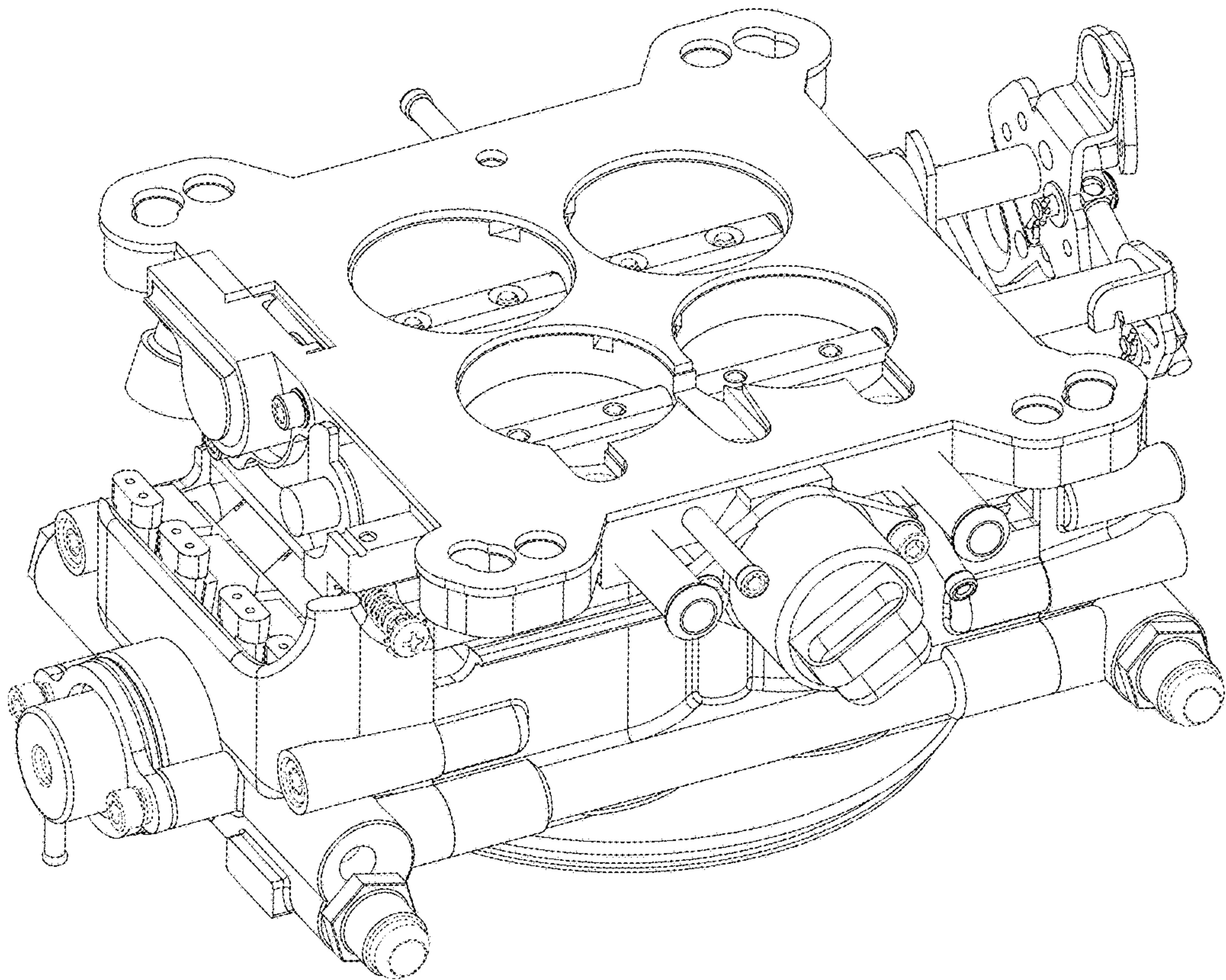


FIG.8