



US00D826274S

(12) **United States Design Patent** (10) **Patent No.:** **US D826,274 S**  
**Lee et al.** (45) **Date of Patent:** **\*\* Aug. 21, 2018**

(54) **DISPLAY SCREEN OR PORTION THEREOF WITH GRAPHICAL USER INTERFACE**

(71) Applicant: **Samsung Electronics Co., Ltd.**, Suwon-si (KR)

(72) Inventors: **Heon Woo Lee**, Seoul (KR); **Miyeon Park**, Seongnam-si (KR); **Yongman Park**, Yongin-si (KR); **Jakyoung Lee**, Seoul (KR); **Hyerim Kwak**, Seoul (KR); **Soyoung Lee**, Seoul (KR)

(73) Assignee: **SAMSUNG ELECTRONICS CO., LTD.**, Suwon-si (KR)

(\*\*) Term: **15 Years**

(21) Appl. No.: **29/610,574**

(22) Filed: **Jul. 13, 2017**

**Related U.S. Application Data**

(62) Division of application No. 29/564,980, filed on May 17, 2016, now Pat. No. Des. 797,125.

(51) **LOC (11) Cl.** ..... **14-04**

(52) **U.S. Cl.**  
USPC ..... **D14/492**; D14/485

(58) **Field of Classification Search**  
USPC ..... D14/485–495  
CPC ..... B61C 11/04; B64C 29/00; G06F 3/04817; G06F 3/0482; G06F 2203/04807; G06T 15/02; G06T 13/80; H04M 1/2477; H04N 1/00424  
See application file for complete search history.

(56) **References Cited**

**U.S. PATENT DOCUMENTS**

6,198,483 B1 3/2001 Launais  
6,922,815 B2 7/2005 Rosen  
7,788,600 B2 8/2010 Lau  
D627,360 S \* 11/2010 Aarseth ..... D14/485

D746,866 S 1/2016 Memoria  
D751,095 S 3/2016 Moon  
D753,151 S \* 4/2016 Lee ..... D14/485  
D756,401 S \* 5/2016 Soldner ..... D14/488  
D763,861 S \* 8/2016 Kaasalainen ..... G06F 3/04817  
D14/485  
D763,869 S \* 8/2016 Wang ..... D14/485  
D769,889 S 10/2016 Kuhn  
D773,500 S 12/2016 Herstad  
D777,762 S 1/2017 Park

(Continued)

**OTHER PUBLICATIONS**

Blog Spoon Graphics | Tutorials | How to Create a Vector Illustration from Start to Finish, posted on Jun. 15, 2015, no copyright date posted [online], [site visited Apr. 16, 2018]. Available from Internet, <URL: <https://blog.spoongraphics.co.uk/tutorials/how-to-create-a-vector-illustration-from-start-to-finish>>.\*

(Continued)

*Primary Examiner* — Philip S Hyder  
*Assistant Examiner* — Cary M Robinson

(74) *Attorney, Agent, or Firm* — McAndrews Held & Malloy, Ltd.

(57) **CLAIM**

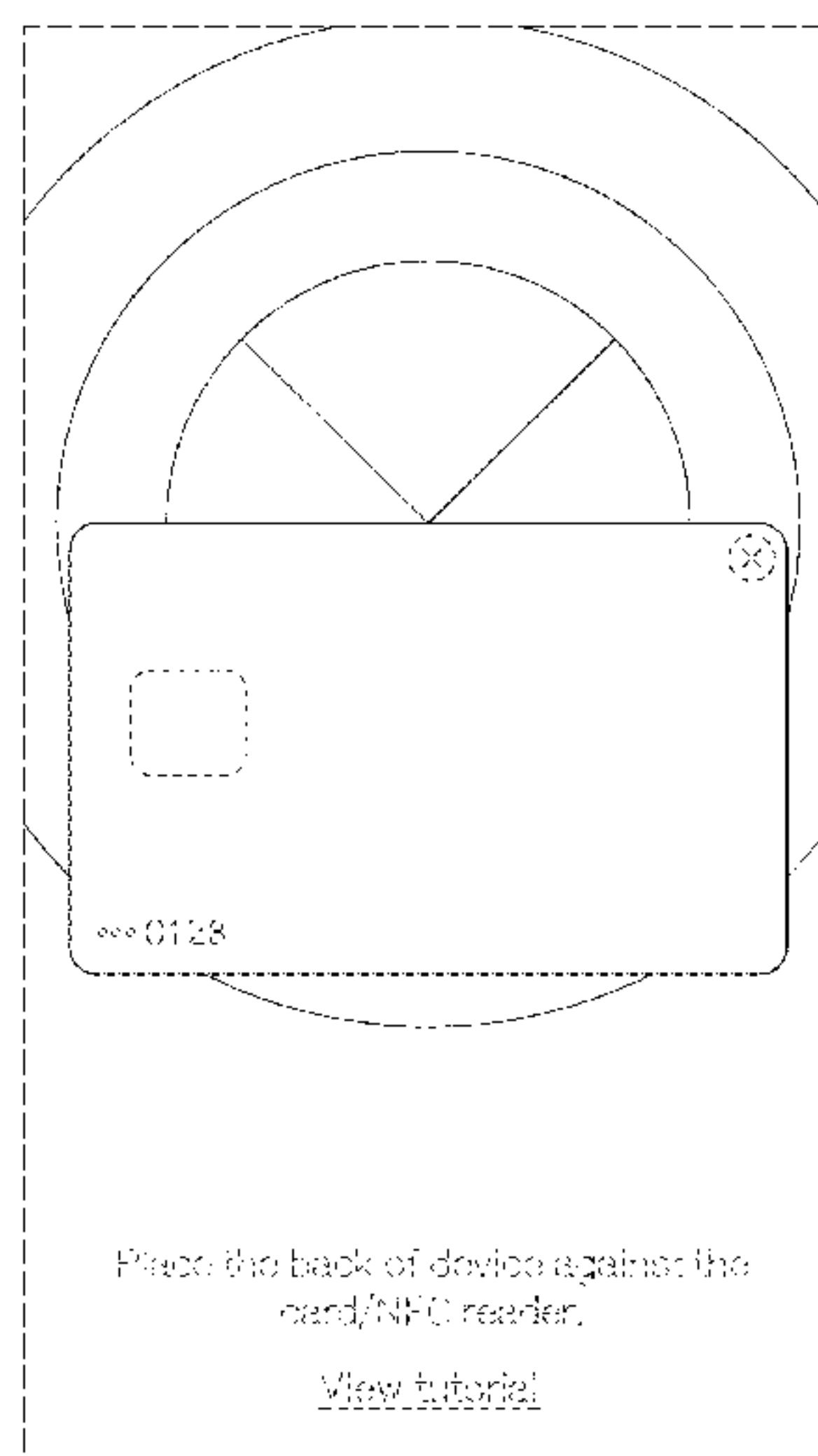
The ornamental design for a display screen or portion thereof with graphical user interface, as shown and described.

**DESCRIPTION**

FIGURE is a front view of a display screen or portion thereof with graphical user interface showing our new design.

The broken line outer perimeter of the FIGURE illustrates a display screen or portion thereof and forms no part of the claimed design. The remaining broken lines in the FIGURE illustrate portions of the graphical user interface that form no part of the claimed design.

**1 Claim, 1 Drawing Sheet**



(56)

References Cited

U.S. PATENT DOCUMENTS

D784,369 S 4/2017 Kuhn  
 D784,370 S 4/2017 Kuhn  
 D785,013 S 4/2017 Kuhn  
 D785,018 S 4/2017 Lee  
 D791,161 S \* 7/2017 Hatzikostas ..... D14/486  
 D794,048 S \* 8/2017 Lee ..... D14/485  
 D796,527 S \* 9/2017 Lee ..... D14/485  
 D797,123 S \* 9/2017 Lee ..... D14/485  
 D797,124 S \* 9/2017 Lee ..... D14/485  
 D797,125 S \* 9/2017 Lee ..... D14/485  
 D800,779 S \* 10/2017 Lee ..... D14/492  
 D803,881 S \* 11/2017 Hurley ..... D14/492  
 D804,494 S \* 12/2017 Bombolowsky ..... D14/485  
 D804,497 S \* 12/2017 Akatsu ..... D14/485  
 D804,498 S \* 12/2017 Akatsu ..... D14/485  
 D805,528 S \* 12/2017 Hersh ..... D14/485  
 D806,091 S \* 12/2017 Weaver ..... D14/485  
 D806,717 S \* 1/2018 Bae ..... D14/485  
 D806,751 S \* 1/2018 Lee ..... D14/492  
 D807,398 S \* 1/2018 Lee ..... D14/492  
 D807,399 S \* 1/2018 Lee ..... D14/492  
 D809,522 S \* 2/2018 Mizono ..... D14/485  
 D811,421 S \* 2/2018 Caldwell ..... G06Q 40/12  
 D14/485

D813,245 S \* 3/2018 Mariet ..... D14/485  
 D813,884 S \* 3/2018 Penker ..... D14/485  
 D815,109 S \* 4/2018 Weaver ..... D14/485  
 2005/0010876 A1 1/2005 Robertson  
 2008/0126992 A1\* 5/2008 Scheu ..... G06F 3/0482  
 715/835  
 2010/0180227 A1 7/2010 Diallo  
 2010/0299637 A1\* 11/2010 Chmielewski ..... G06F 3/0482  
 715/834  
 2013/0103580 A1\* 4/2013 Ventura ..... G06Q 40/02  
 705/40  
 2014/0337749 A1 11/2014 Phang  
 2014/0337773 A1 11/2014 Phang  
 2015/0040052 A1\* 2/2015 Noel ..... G06F 3/04847  
 715/771  
 2016/0103562 A1\* 4/2016 Bombolowsky ..... G06F 3/0482  
 715/817

OTHER PUBLICATIONS

Samsung Newsroom | Products | Mobile | Samsung Pay Trial Service Launched in Korea, posted on Jul. 16, 2015, Copyright © 2011-2017 SAMSUNG [online], [site visited Jun. 23, 2017]. Available from Internet, <URL:https://news.samsung.com/global/samsung-pay-trial-service-launched-in-korea/>.

\* cited by examiner

