



US00D826271S

(12) **United States Design Patent**
Hosaka

(10) **Patent No.:** **US D826,271 S**

(45) **Date of Patent:** **** Aug. 21, 2018**

(54) **DISPLAY SCREEN WITH TRANSITIONAL GRAPHICAL USER INTERFACE**

(71) Applicant: **Nikon Corporation**, Tokyo (JP)

(72) Inventor: **Hiroki Hosaka**, Yokohama (JP)

(73) Assignee: **Nikon Corporation**, Tokyo (JP)

(**) Term: **15 Years**

(21) Appl. No.: **29/608,163**

(22) Filed: **Jun. 20, 2017**

Related U.S. Application Data

(62) Division of application No. 29/484,760, filed on Mar. 12, 2014, now Pat. No. Des. 793,438.

(30) **Foreign Application Priority Data**

Sep. 13, 2013 (JP) 2013-021359

(51) **LOC (11) Cl.** **14-04**

(52) **U.S. Cl.**
USPC **D14/491; D14/486**

(58) **Field of Classification Search**
USPC D14/485-495
CPC G06T 13/80; G06T 15/02; G06F 3/04817;
G06F 3/0481; H04N 1/00424
See application file for complete search history.

(56) **References Cited**

U.S. PATENT DOCUMENTS

D392,632 S * 3/1998 Spiegel D10/125
6,448,987 B1 9/2002 Easty et al.
6,667,726 B1 * 12/2003 Damiani B60K 35/00
340/461
7,143,363 B1 * 11/2006 Gaynor B63J 99/00
715/771
D550,696 S 9/2007 Kortum et al.

D555,164 S * 11/2007 Sergio D14/486
7,726,255 B2 * 6/2010 Nakamichi B60K 35/00
116/300

D625,318 S 10/2010 Jasinski
D629,410 S 12/2010 Ray et al.
D635,987 S 4/2011 Mays et al.
D681,649 S 5/2013 Fletcher et al.
D681,670 S * 5/2013 Fletcher D14/491
D690,728 S 10/2013 Brinda
D699,737 S * 2/2014 Pearson D14/486
D699,750 S 2/2014 Pearson et al.

(Continued)

OTHER PUBLICATIONS

[No Author Listed] OneNote Windows Store App, gets Radial Menu, OCR, Camera Scan & more. The Windows Club. <http://www.thewindowsclub.com/onenote-windows-store-app>. 3 pages [dated Dec. 23, 2013; last accessed Apr. 12, 2016].

(Continued)

Primary Examiner — Philip S Hyder

Assistant Examiner — Cary M Robinson

(74) *Attorney, Agent, or Firm* — Wolf, Greenfield & Sacks, P.C.

(57) **CLAIM**

The ornamental design for a display screen with transitional graphical user interface, as shown and described.

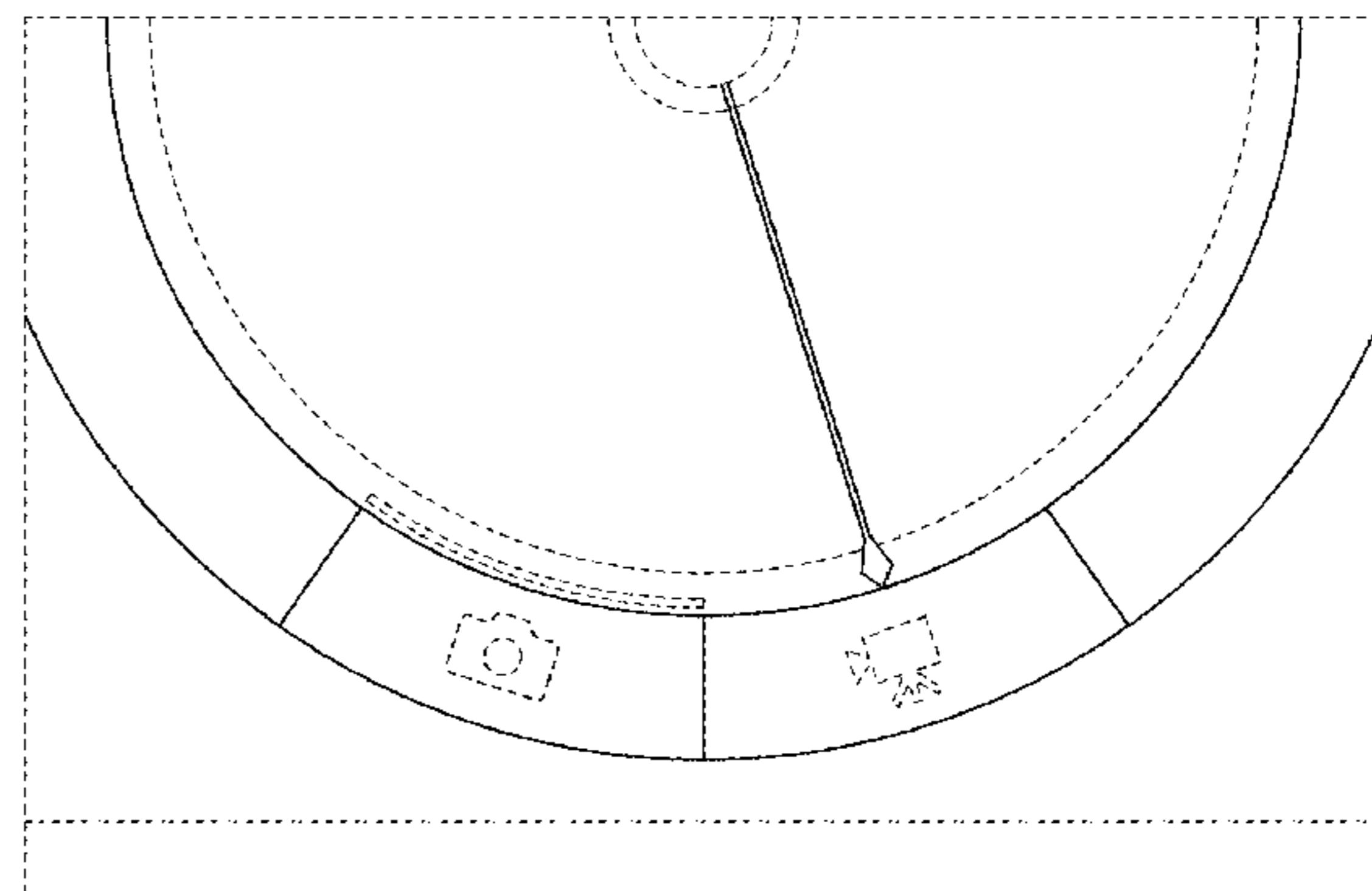
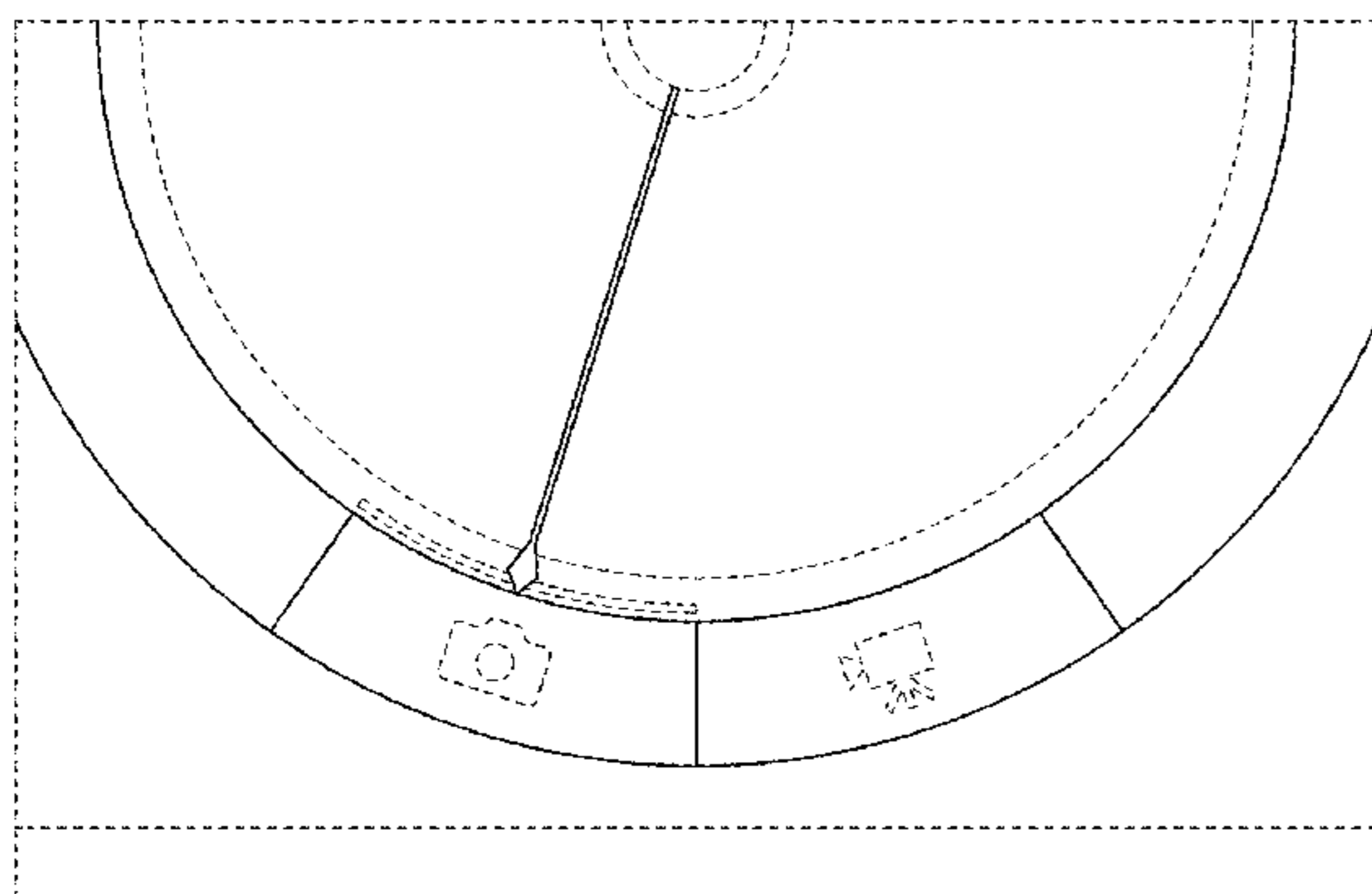
DESCRIPTION

FIG. 1 is a front view of a first image in a sequence for a display screen with transitional graphical user interface showing my new design; and,

FIG. 2 is a front view of a second image thereof.

The broken line at the periphery of the figures illustrate a display screen, and the remainder of the broken lines illustrate portions of the transitional graphical user interface. None of the broken lines form part of the claimed design.

1 Claim, 2 Drawing Sheets



(56)

References Cited

U.S. PATENT DOCUMENTS

D715,313 S 10/2014 Hontz, Jr.
 D716,321 S 10/2014 Fan
 D716,819 S 11/2014 Kotler et al.
 D719,180 S 12/2014 Liang
 8,996,397 B2* 3/2015 Grace G06Q 10/06311
 705/7.28
 D726,741 S 4/2015 Lee et al.
 9,104,211 B2* 8/2015 Fadell F24F 11/0012
 D741,359 S 10/2015 Ji-Hye et al.
 D750,642 S 3/2016 Lee
 D753,712 S 4/2016 Lee
 D754,674 S 4/2016 Lee
 D757,816 S 5/2016 Pan
 D760,763 S 7/2016 Adolph
 D761,299 S 7/2016 Rajendran et al.
 D761,840 S 7/2016 Patterson et al.
 D762,665 S 8/2016 Lee et al.
 D763,265 S 8/2016 Trujillo
 D763,266 S 8/2016 Myung et al.
 D763,318 S 8/2016 Jang et al.
 D763,861 S 8/2016 Kaasalainen et al.
 D768,143 S 10/2016 Drozd et al.
 9,465,535 B2* 10/2016 Tang G06F 3/04886
 D771,651 S* 11/2016 Yang D14/485
 9,480,435 B2 11/2016 Olsen
 D777,173 S 1/2017 Yang et al.
 D782,533 S* 3/2017 Yu D14/489
 D786,304 S* 5/2017 Cronin D14/485
 D793,438 S* 8/2017 Hosaka D14/486
 D795,898 S* 8/2017 Li D14/486
 D797,799 S* 9/2017 Bunyard D14/491
 D802,020 S* 11/2017 Kim D14/492
 D808,988 S* 1/2018 Ayvazian D14/485
 D808,989 S* 1/2018 Ayvazian D14/485

D811,418 S* 2/2018 Sun D14/485
 D813,268 S* 3/2018 Cabrera, Jr. D14/489
 2002/0101418 A1* 8/2002 Vernier G06F 3/048
 345/418
 2005/0081164 A1 4/2005 Hama et al.
 2005/0280521 A1* 12/2005 Mizumaki B60K 35/00
 340/438
 2007/0234223 A1 10/2007 Leavitt et al.
 2007/0256029 A1 11/2007 Maxwell
 2009/0327963 A1 12/2009 Mouilleseaux et al.
 2014/0047389 A1 2/2014 Aarabi
 2014/0157200 A1 6/2014 Jeon
 2014/0380219 A1 12/2014 Cartan
 2015/0100893 A1* 4/2015 Cronin G06Q 10/06316
 715/751
 2015/0153918 A1* 6/2015 Chen G06F 17/30312
 715/771
 2016/0093086 A1 3/2016 Kobayashi et al.
 2017/0003848 A1 1/2017 Wakatanagi et al.

OTHER PUBLICATIONS

Antar, What? Where? Why? Dribbble. <https://dribbble.com/shots/2097450-What-Where-When>. 1 page [dated Jun. 8, 2015; last accessed Apr. 12, 2016].
 King, Circular Menu Thingy Comeback. Dribbble. <https://dribbble.com/shots/878951-Circular-Menu-Thingy-Comeback>. 1 page [dated Jan. 3, 2013; last accessed Apr. 11, 2016].
 Moen, Concept Idea: Radial Menu UI (animated). Dribbble. <https://dribbble.com/shots/1430222-Circular-Menu-UI>. 2 pages [dated Nov. 5, 2012; Apr. 12, 2016].
 Pires, Circle Menu. Dribbble. <https://dribbble.com/shots/1115797-Circle-Menu>. 1 page [dated Jun. 14, 2013; last accessed Apr. 12, 2016].

* cited by examiner

Fig. 1

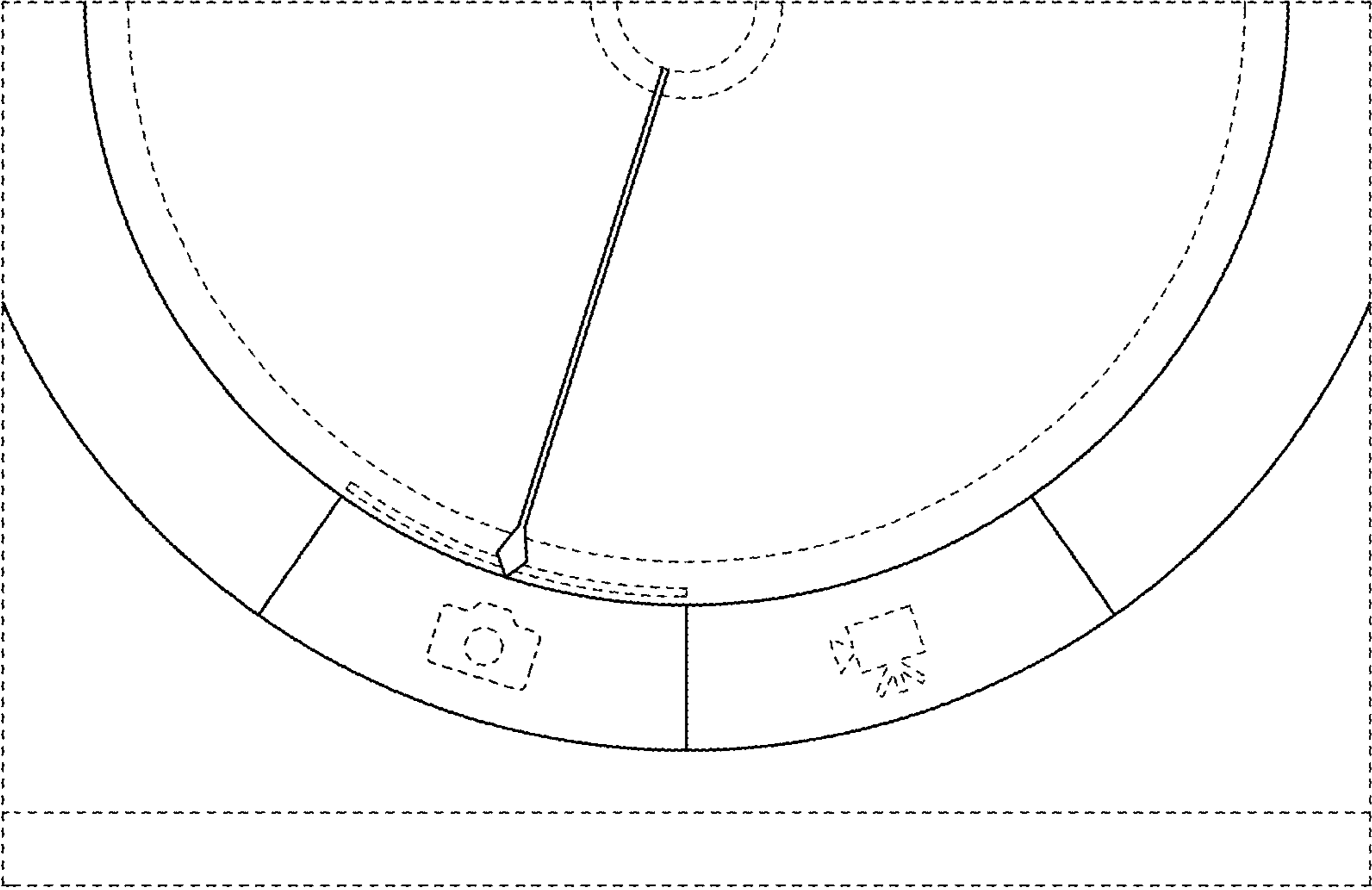


Fig. 2

