



US00D826247S

(12) **United States Design Patent**
Hu et al.

(10) **Patent No.:** **US D826,247 S**

(45) **Date of Patent:** **** Aug. 21, 2018**

(54) **MOBILE COMMUNICATION TERMINAL
DISPLAY SCREEN WITH GRAPHICAL USER
INTERFACE**

D736,807 S * 8/2015 Lee D14/486
D737,283 S * 8/2015 Scalisi D14/485
D747,731 S * 1/2016 Oliveira D14/486
D754,675 S * 4/2016 Vazquez D14/485
D754,682 S * 4/2016 Lee D14/485

(Continued)

(71) Applicant: **BEIJING KINGSOFT INTERNET
SECURITY SOFTWARE CO., LTD.,**
Beijing (CN)

OTHER PUBLICATIONS

(72) Inventors: **Suibiao Hu**, Beijing (CN); **Pinli Chen**,
Beijing (CN)

U.S. Appl. No. 29/590,251 entitled "Mobile Communication Ter-
minal With Graphical User Interface" filed Jan. 9, 2017, 11 pages.

(73) Assignee: **Beijing Kingsoft Internet Security
Software Co., Ltd.**, Beijing (CN)

Primary Examiner — Darlington Ly
Assistant Examiner — Katherine A Holbrow

(**) Term: **15 Years**

(74) *Attorney, Agent, or Firm* — Leanne Taveggia Farrell;
David D. Brush; Westman, Champlin & Koehler, P.A.

(21) Appl. No.: **29/590,256**

(57) **CLAIM**

(22) Filed: **Jan. 9, 2017**

The ornamental design for a mobile communication terminal
display screen with graphical user interface, as shown and
described.

(30) **Foreign Application Priority Data**

DESCRIPTION

Jul. 28, 2016 (CN) 2016 3 0352161

(51) **LOC (11) Cl.** **14-04**

(52) **U.S. Cl.**
USPC **D14/486**

(58) **Field of Classification Search**
USPC D14/485–488
CPC G06F 3/04847; G06F 3/0485; G06F 3/048;
G06F 3/0488; H04N 1/00477
See application file for complete search history.

FIG. 1 is a front view of a mobile communication terminal
display screen with graphical user interface showing a first
embodiment of the new design;
FIG. 2 shows the design of FIG. 1, in the context of a
different environment;
FIG. 3 is a second embodiment thereof;
FIG. 4 is a third embodiment thereof;
FIG. 5 is a fourth embodiment thereof;
FIG. 6 is a fifth embodiment thereof;
FIG. 7 is a sixth embodiment thereof;
FIG. 8 is a seventh embodiment thereof;
FIG. 9 is an eighth embodiment thereof; and,
FIG. 10 is a ninth embodiment thereof.

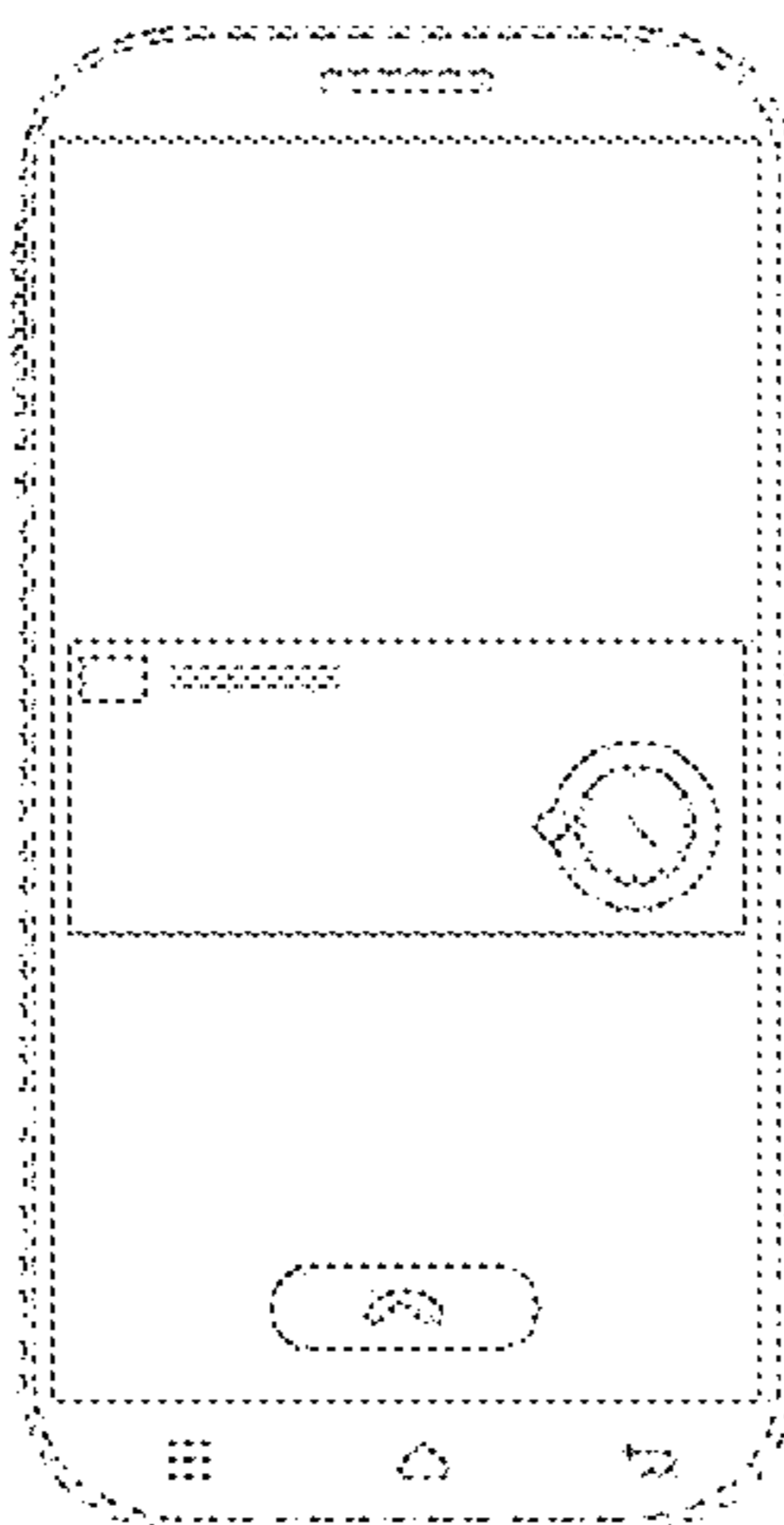
(56) **References Cited**

U.S. PATENT DOCUMENTS

D682,850 S * 5/2013 Del Pasqua D14/485
D700,912 S * 3/2014 Kim D14/485
D701,220 S * 3/2014 Kim D14/485
D716,325 S * 10/2014 Brudnicki D14/486
D717,822 S * 11/2014 Brotman D14/486
D726,748 S * 4/2015 Maekawa D14/486
D727,343 S * 4/2015 Matsuda D14/486
D731,538 S * 6/2015 Lee D14/488

The broken line showing of the device and portions of the
graphical user interface are included for the purpose of
illustrating environmental structure and portions of the
article and form no part of the claimed design.

1 Claim, 10 Drawing Sheets



(56)

References Cited

U.S. PATENT DOCUMENTS

D759,662 S * 6/2016 Panjabi D14/485
 D763,308 S * 8/2016 Wang D14/486
 D763,860 S * 8/2016 Sunshine D14/485
 D763,894 S * 8/2016 Lamparelli D14/486
 D766,917 S * 9/2016 Kwon D14/485
 D766,958 S * 9/2016 Salazar Cardozo D14/486
 D767,586 S * 9/2016 Kwon D14/485
 D775,165 S * 12/2016 Sun D14/486
 D775,636 S * 1/2017 Tsujimoto D14/485
 D779,522 S * 2/2017 Ahadi D14/486
 D779,533 S * 2/2017 Liu D14/486
 D780,781 S * 3/2017 Ding D14/486
 D781,326 S * 3/2017 Bray D14/486
 D781,890 S * 3/2017 Gathman D14/486
 D783,672 S * 4/2017 Rajasankar D14/488
 D785,017 S * 4/2017 Wang D14/486
 D788,785 S * 6/2017 Flood D14/485
 D794,047 S * 8/2017 Gandhi D14/485

D794,048 S * 8/2017 Lee D14/485
 D802,614 S * 11/2017 Bae D14/486
 D810,771 S * 2/2018 Gandhi D14/486
 D811,425 S * 2/2018 Olsen D14/486
 D816,090 S * 4/2018 Stonecipher D14/485
 D818,491 S * 5/2018 Timmer D14/489
 2003/0169296 A1 * 9/2003 Ito G06F 3/1205
 715/770
 2011/0119079 A1 * 5/2011 Schoenberg G06F 19/328
 705/2
 2013/0218721 A1 * 8/2013 Borhan G06Q 20/322
 705/26.41
 2015/0058427 A1 * 2/2015 Grignon H04W 4/02
 709/206
 2016/0098154 A1 * 4/2016 Ko G06F 3/0481
 345/173
 2016/0104133 A1 * 4/2016 Davis G06Q 20/10
 705/39
 2017/0200128 A1 * 7/2017 Kumahara G06Q 10/1095

* cited by examiner

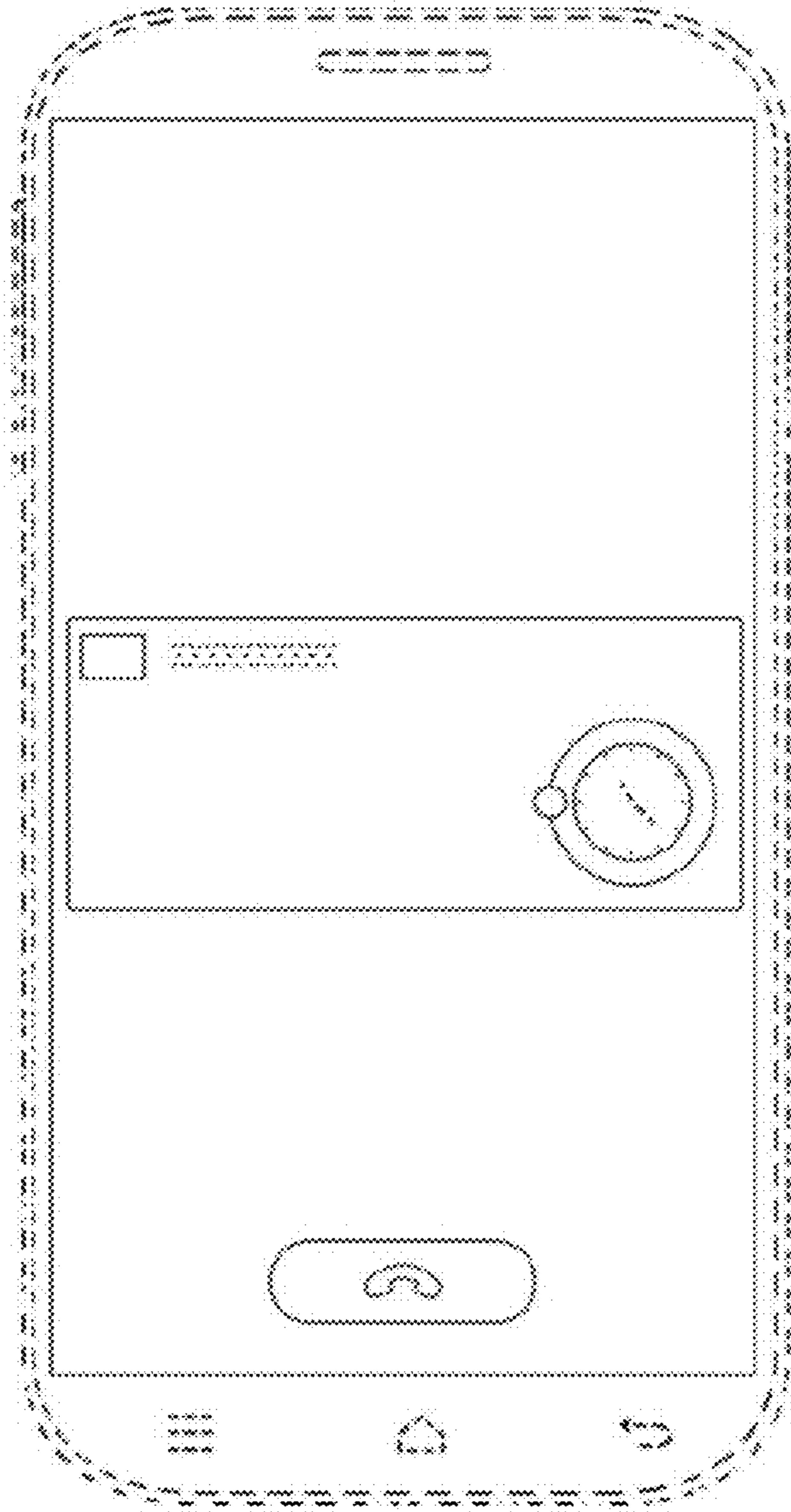


FIG. 1

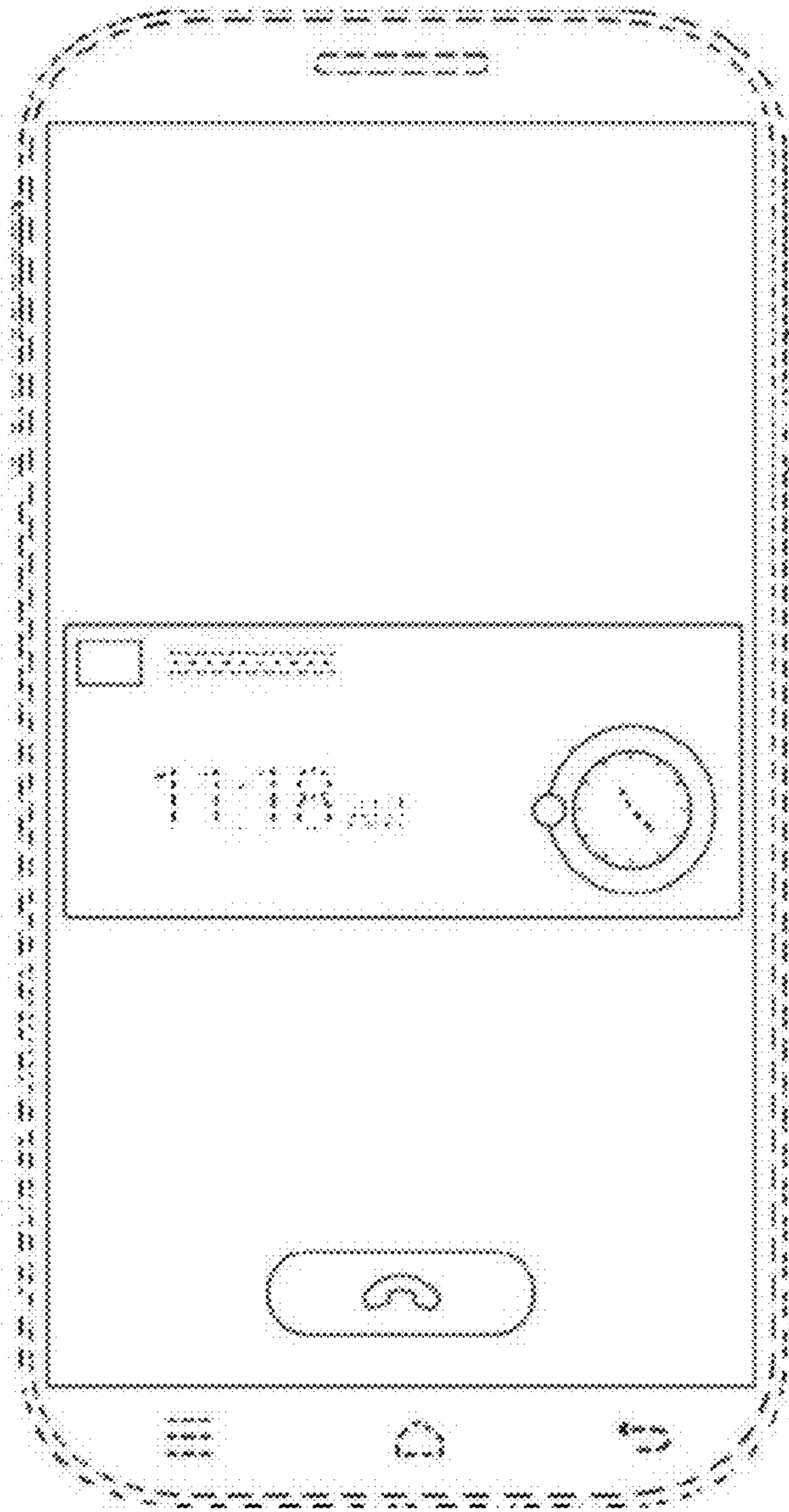


FIG. 2

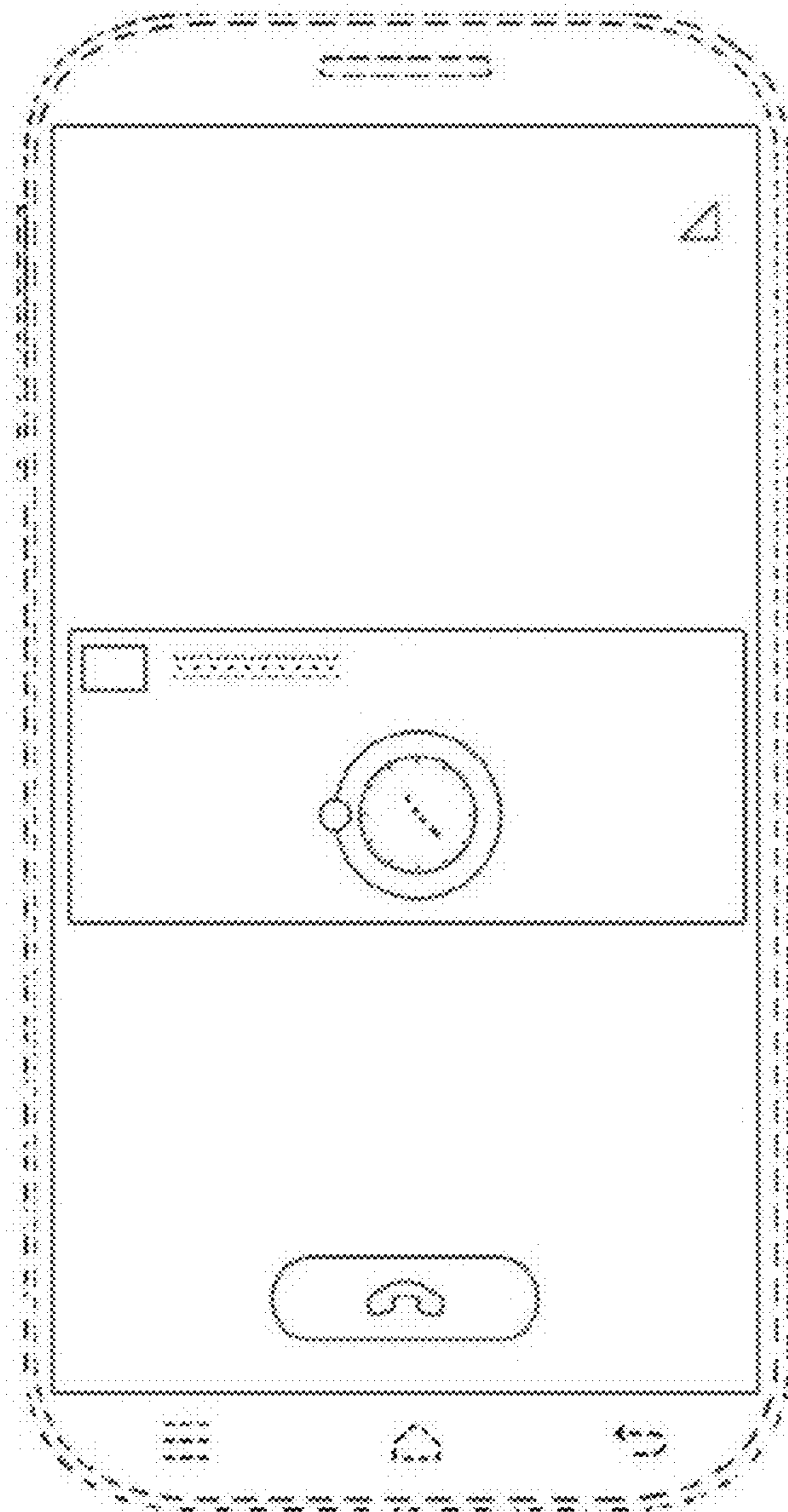


FIG. 3

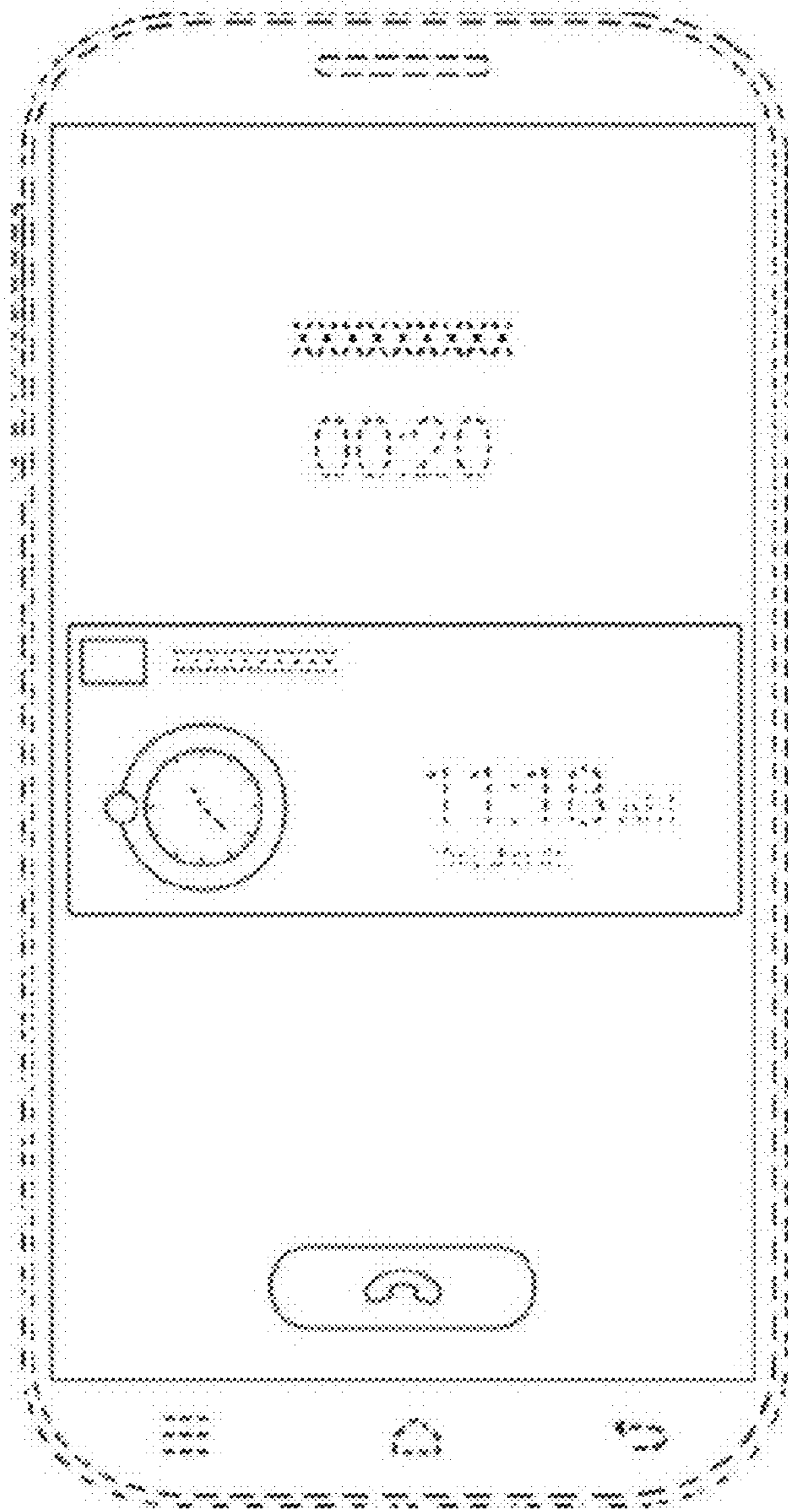


FIG. 4

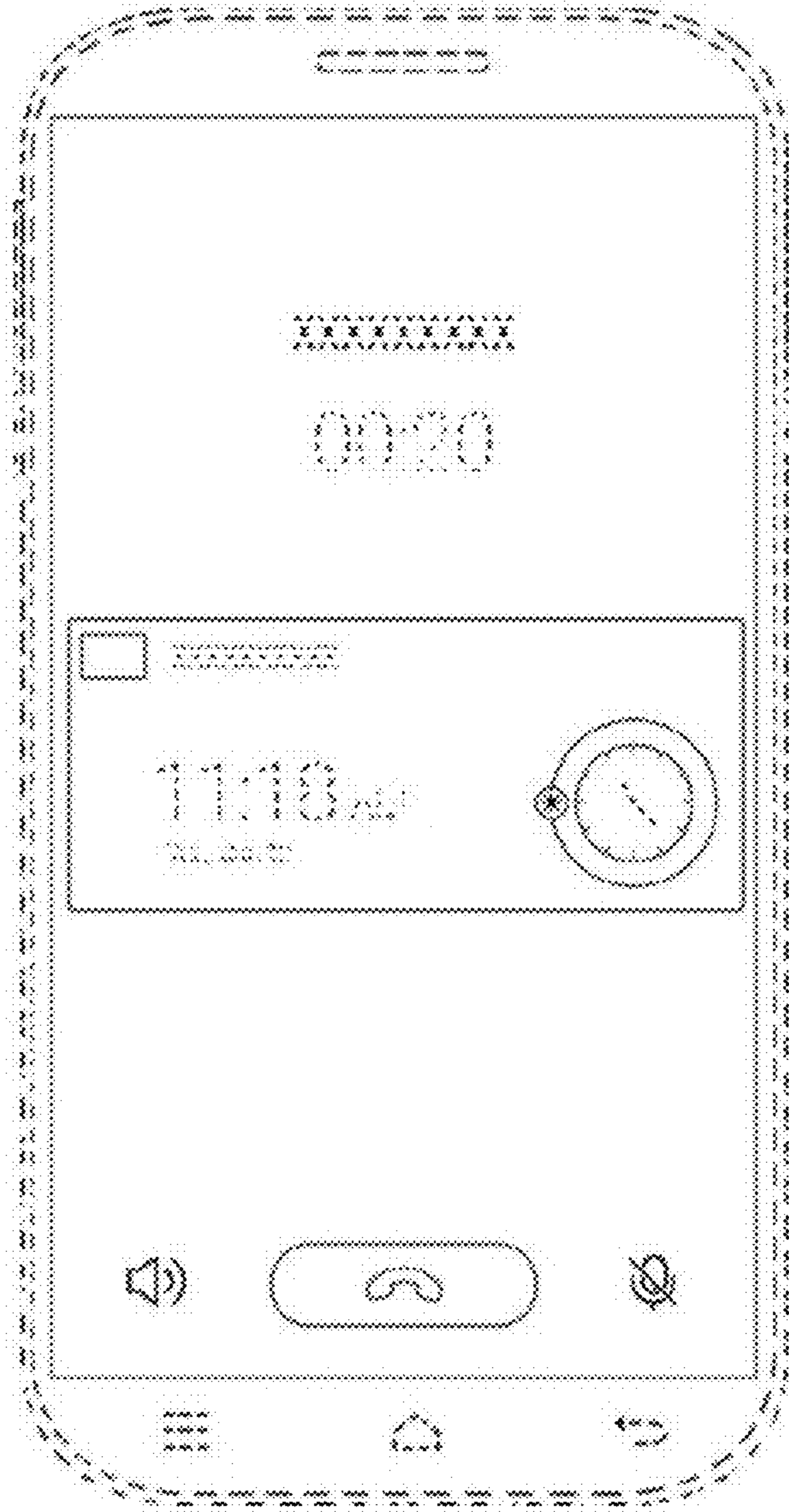


FIG. 5

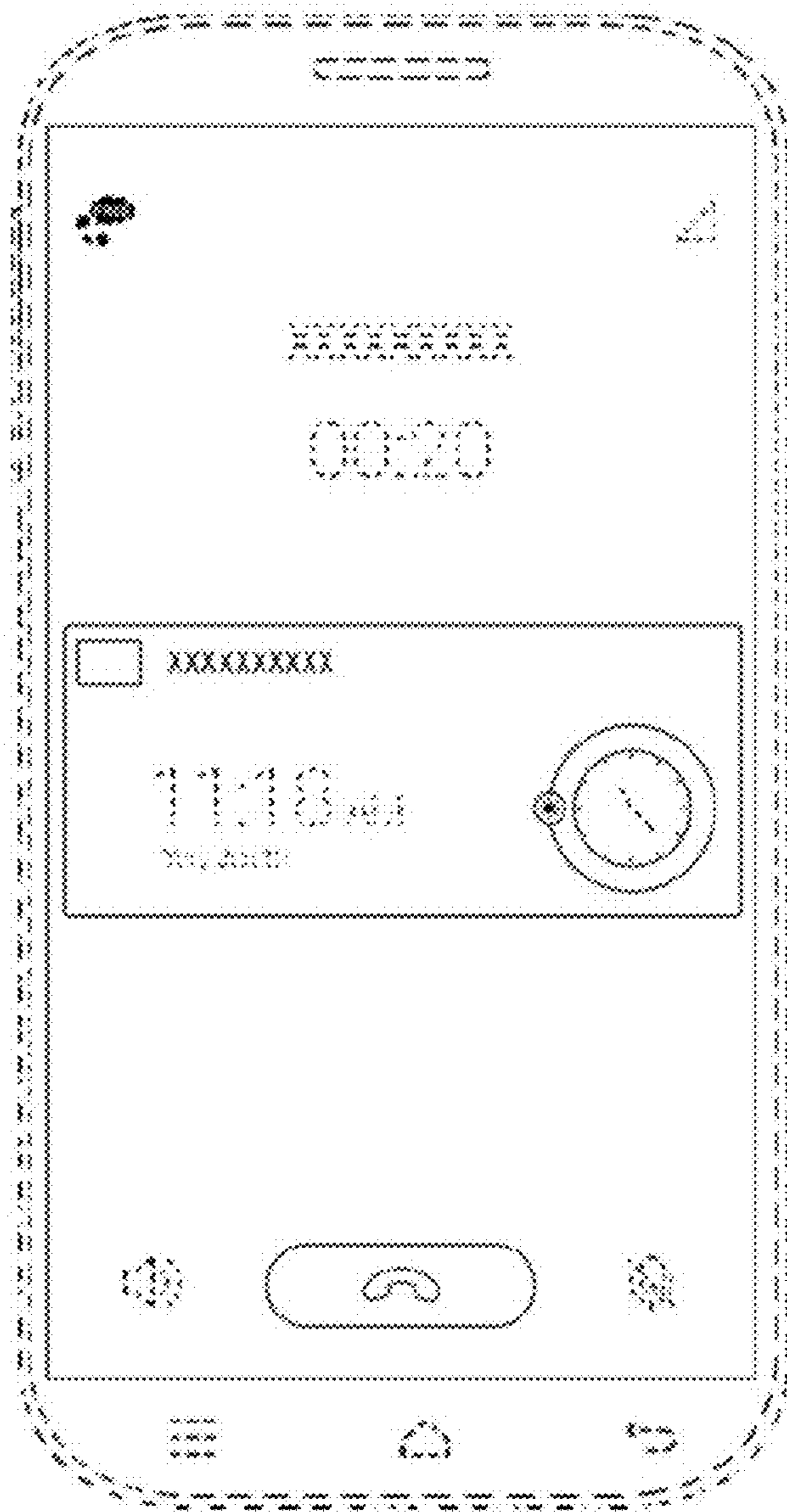


FIG. 6

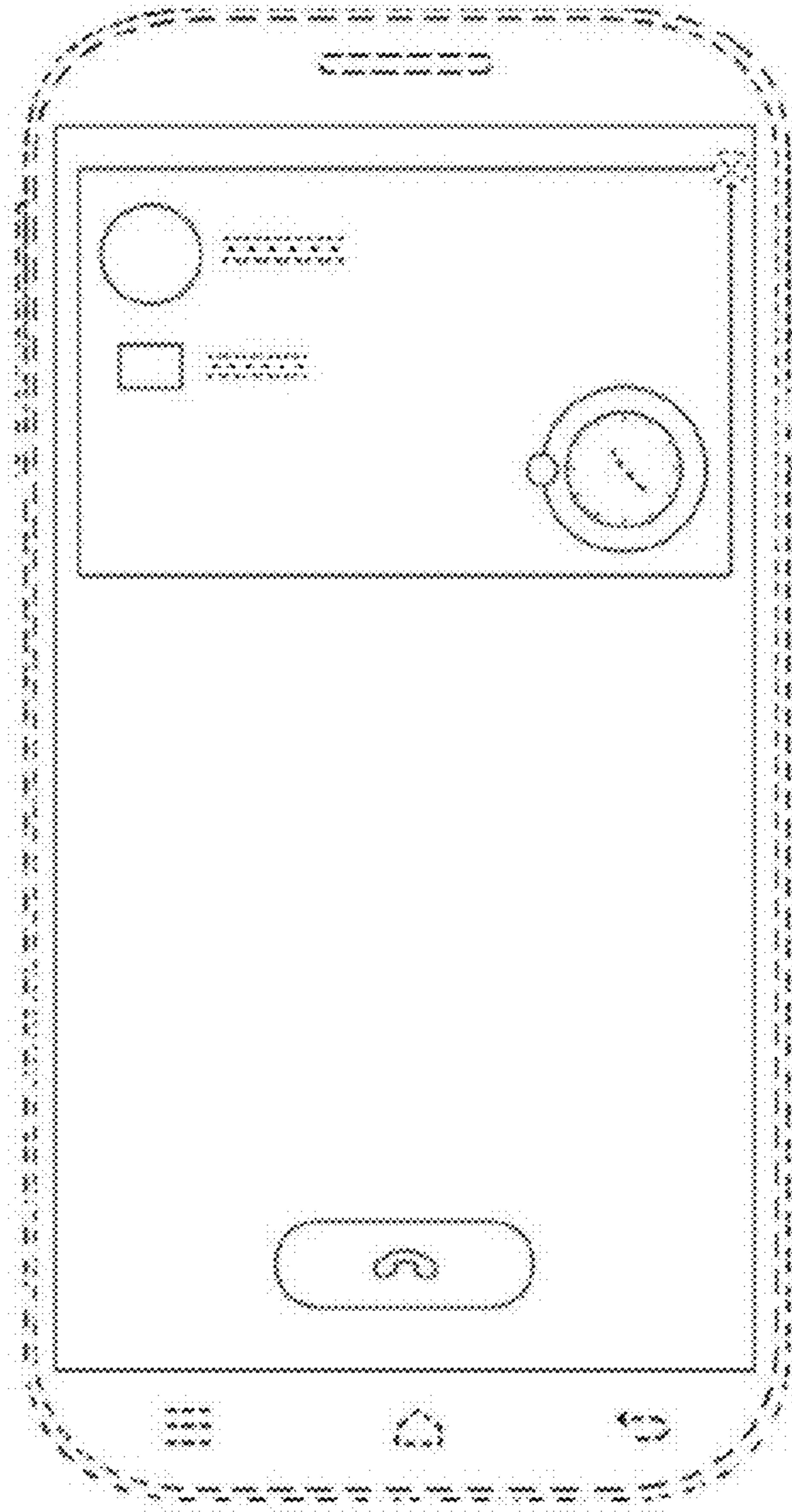


FIG. 7

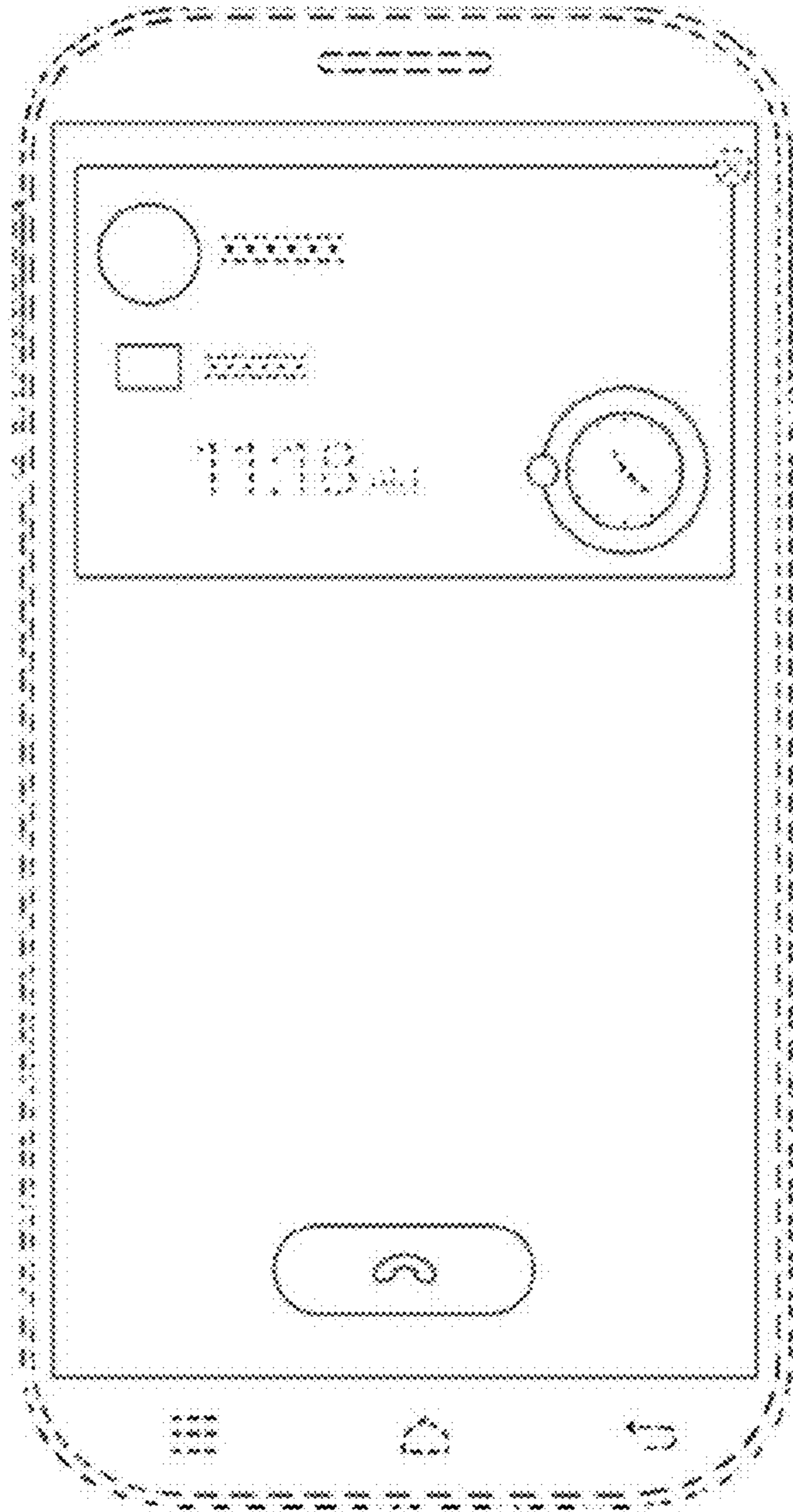


FIG. 8

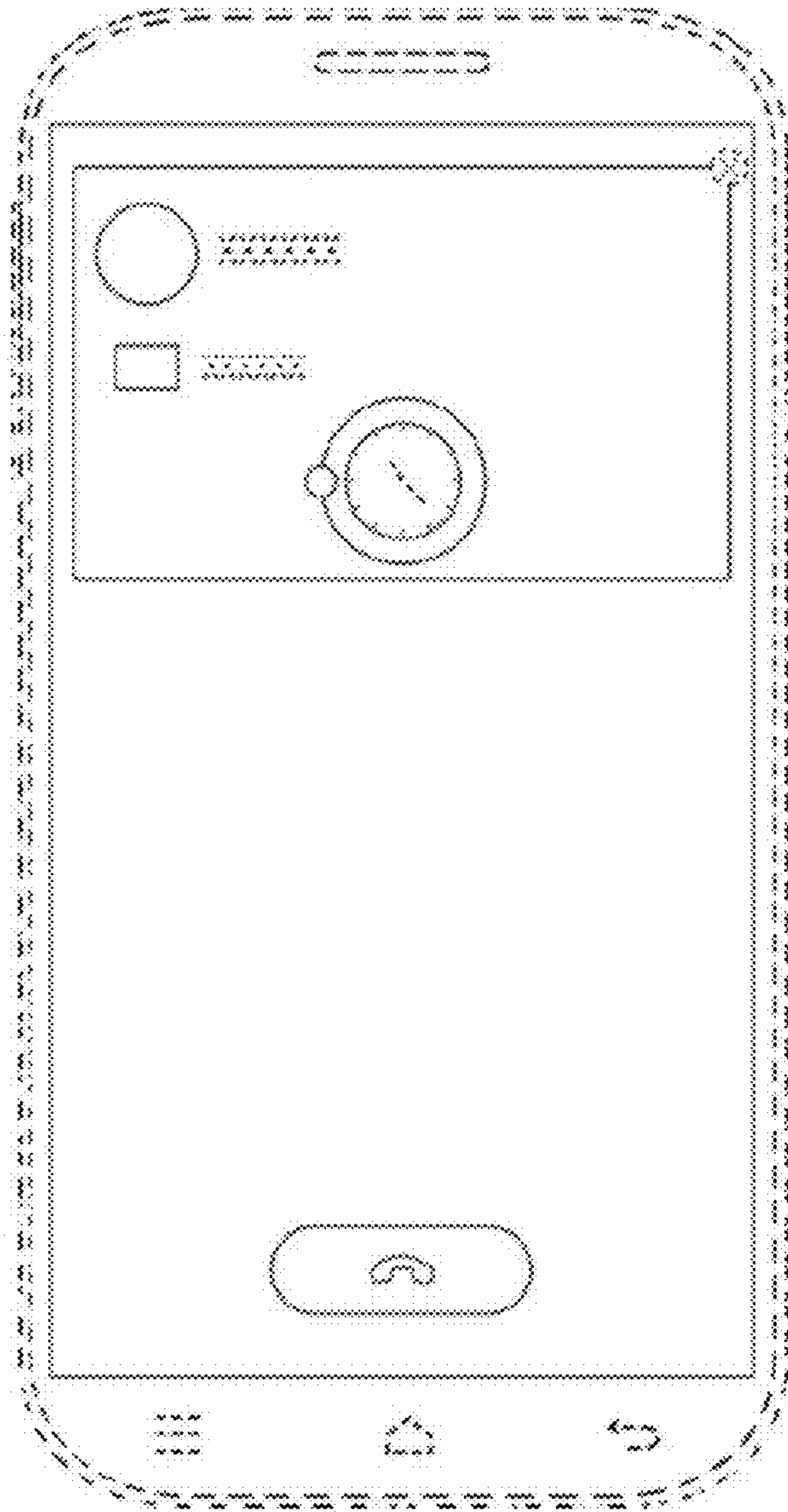


FIG. 9

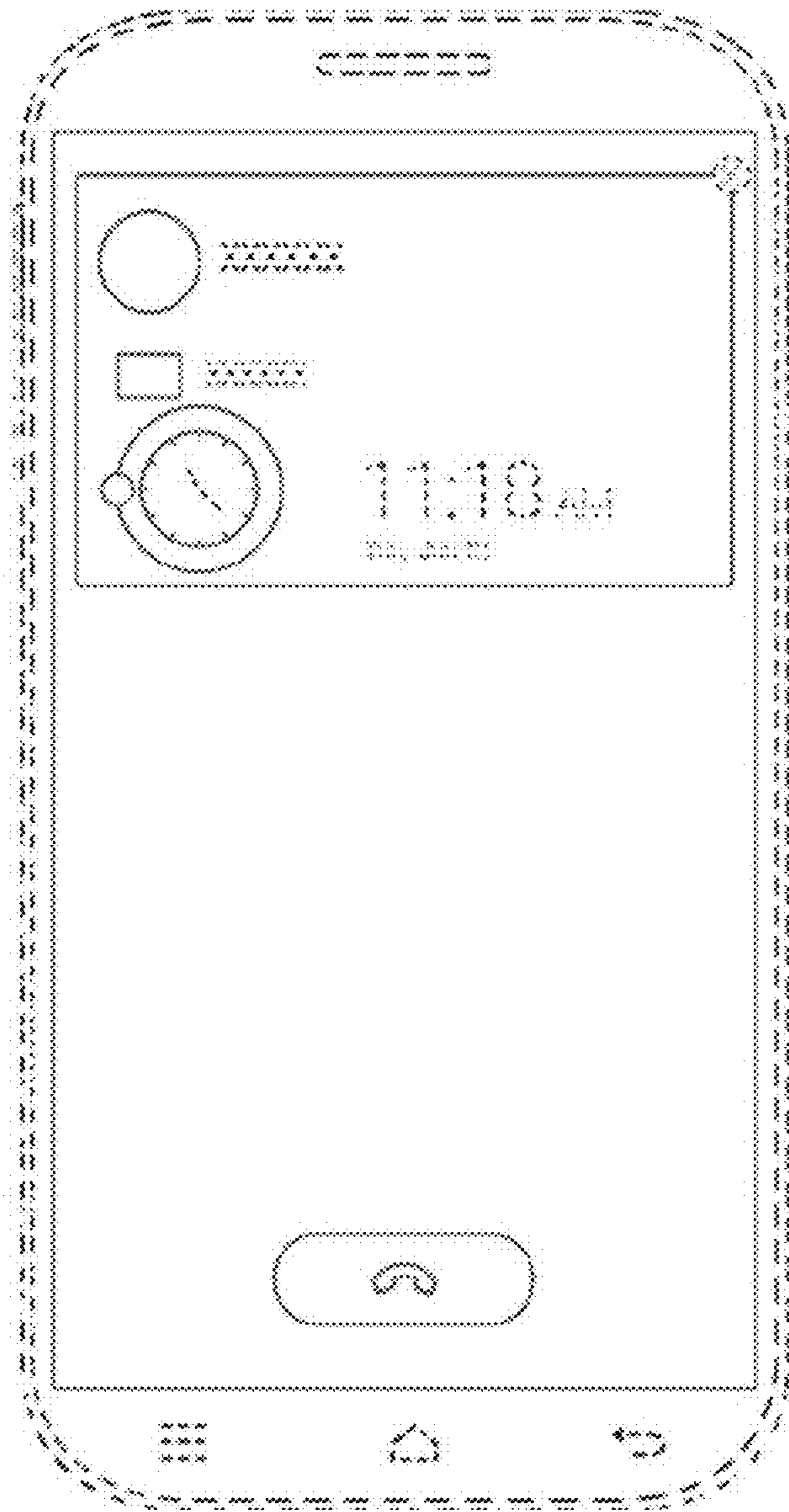


FIG. 10