



US00D826237S

(12) **United States Design Patent** (10) **Patent No.:** **US D826,237 S**
Cadalora et al. (45) **Date of Patent:** **** *Aug. 21, 2018**

(54) **PORTABLE ELECTRONIC DEVICE MOUNT FOR A VEHICLE STEERING WHEEL**

D757,018 S * 5/2016 Pearce D14/440
D786,880 S * 5/2017 Ackeret D14/440
D795,264 S * 8/2017 Wright D14/439
2010/0289390 A1* 11/2010 Kenney B29C 43/006
312/223.1

(71) Applicant: **CNH Industrial America LLC**, New Holland, PA (US)

(72) Inventors: **Alessio Cadalora**, Modena (IT); **Armando Gabriele**, Corigliano Calabro (IT); **Simone Molesini**, Carpi (IT); **Tiziano Salvini**, Tribiano Mi (IT)

(73) Assignee: **CNH Industrial America LLC**, New Holland, PA (US)

(*) Notice: This patent is subject to a terminal disclaimer.

(**) Term: **15 Years**

(21) Appl. No.: **29/553,992**

(22) Filed: **Feb. 5, 2016**

(30) **Foreign Application Priority Data**

Aug. 6, 2015 (IT) 102015000043033

(51) **LOC (11) Cl.** **14-02**

(52) **U.S. Cl.**
USPC **D14/440**; D14/447

(58) **Field of Classification Search**
USPC D14/440, 250, 447; 206/45.23, 320, 206/45.2; 361/679.55; 294/25; 224/218
CPC ... G06F 1/1628; G06F 1/1626; A47B 23/044; H04B 1/3888
See application file for complete search history.

(56) **References Cited**

U.S. PATENT DOCUMENTS

D679,714 S * 4/2013 Smith D14/440
D695,297 S * 12/2013 Sun D14/440
D703,211 S * 4/2014 Weller D14/440
D706,782 S * 6/2014 Dresser, III D14/440
D755,187 S * 5/2016 Shannon, III D14/440

OTHER PUBLICATIONS

U.S. Appl. No. 29/553,996, filed Feb. 5, 2016, Alessio Cadalora.
U.S. Appl. No. 29/553,999, filed Feb. 5, 2016, Alessio Cadalora.
U.S. Appl. No. 29/554,001, filed Feb. 5, 2016, Alessio Cadalora.
U.S. Appl. No. 29/554,003, filed Feb. 5, 2016, Alessio Cadalora.
U.S. Appl. No. 29/554,004, filed Feb. 5, 2016, Alessio Cadalora.

* cited by examiner

Primary Examiner — Cynthia R Underwood

(74) *Attorney, Agent, or Firm* — Rebecca L. Henkel; Rickard K. DeMille

(57) **CLAIM**

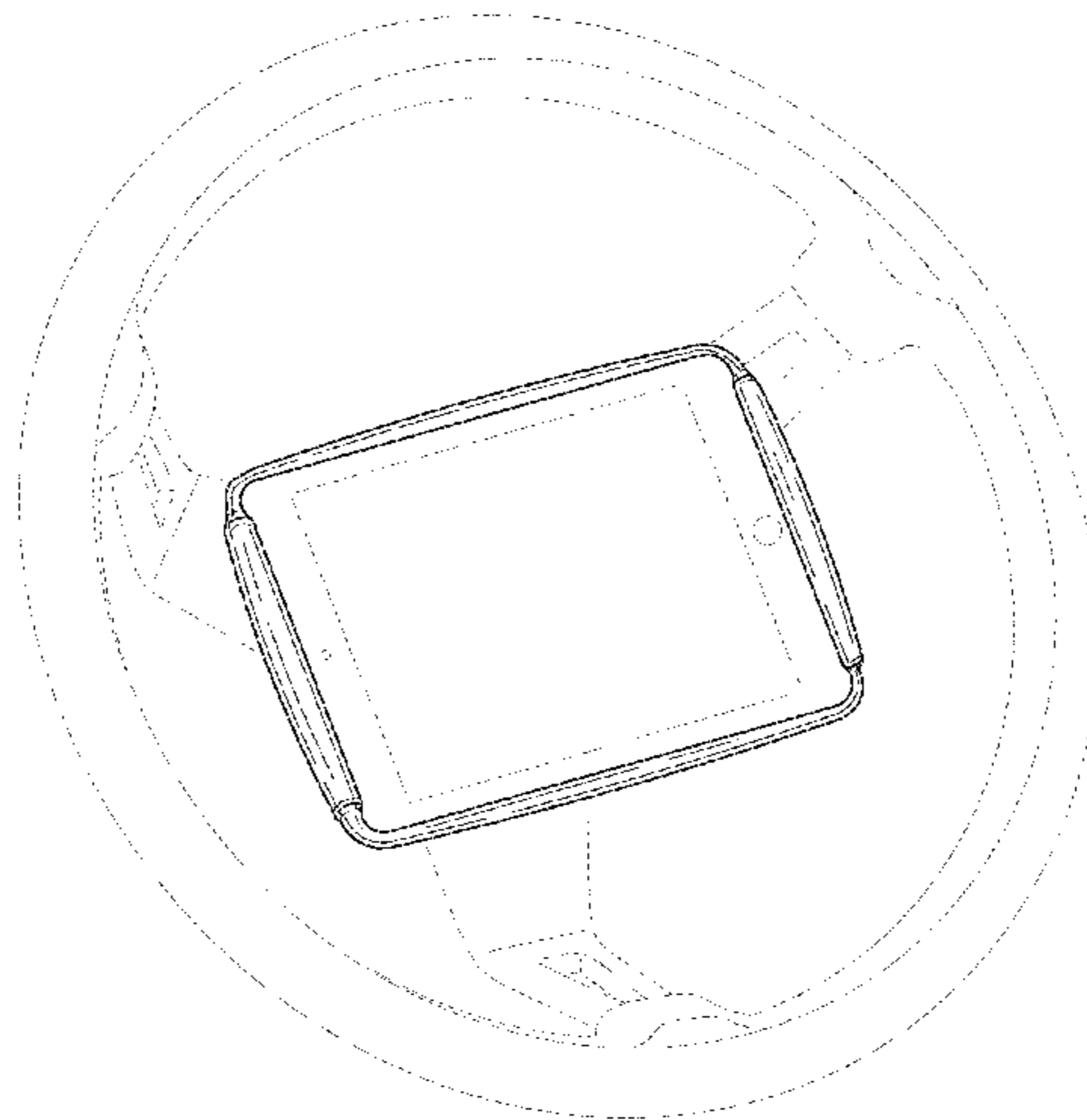
The ornamental design for a portable electronic device mount for a vehicle steering wheel substantially, as shown and described.

DESCRIPTION

FIG. 1 is a perspective view of a portable electronic device mount for a vehicle steering wheel;
FIG. 2 is a front view of the portable electronic device mount;
FIG. 3 is a left side view of the portable electronic device mount;
FIG. 4 is a right side view of the portable electronic device mount;
FIG. 5 is a top view of the portable electronic device mount;
and,
FIG. 6 is a bottom view of the portable electronic device mount.

The broken lines depict environment that form no part of the claim. The boundary lines depict the boundaries of the claim and form no part of the claim.

1 Claim, 4 Drawing Sheets



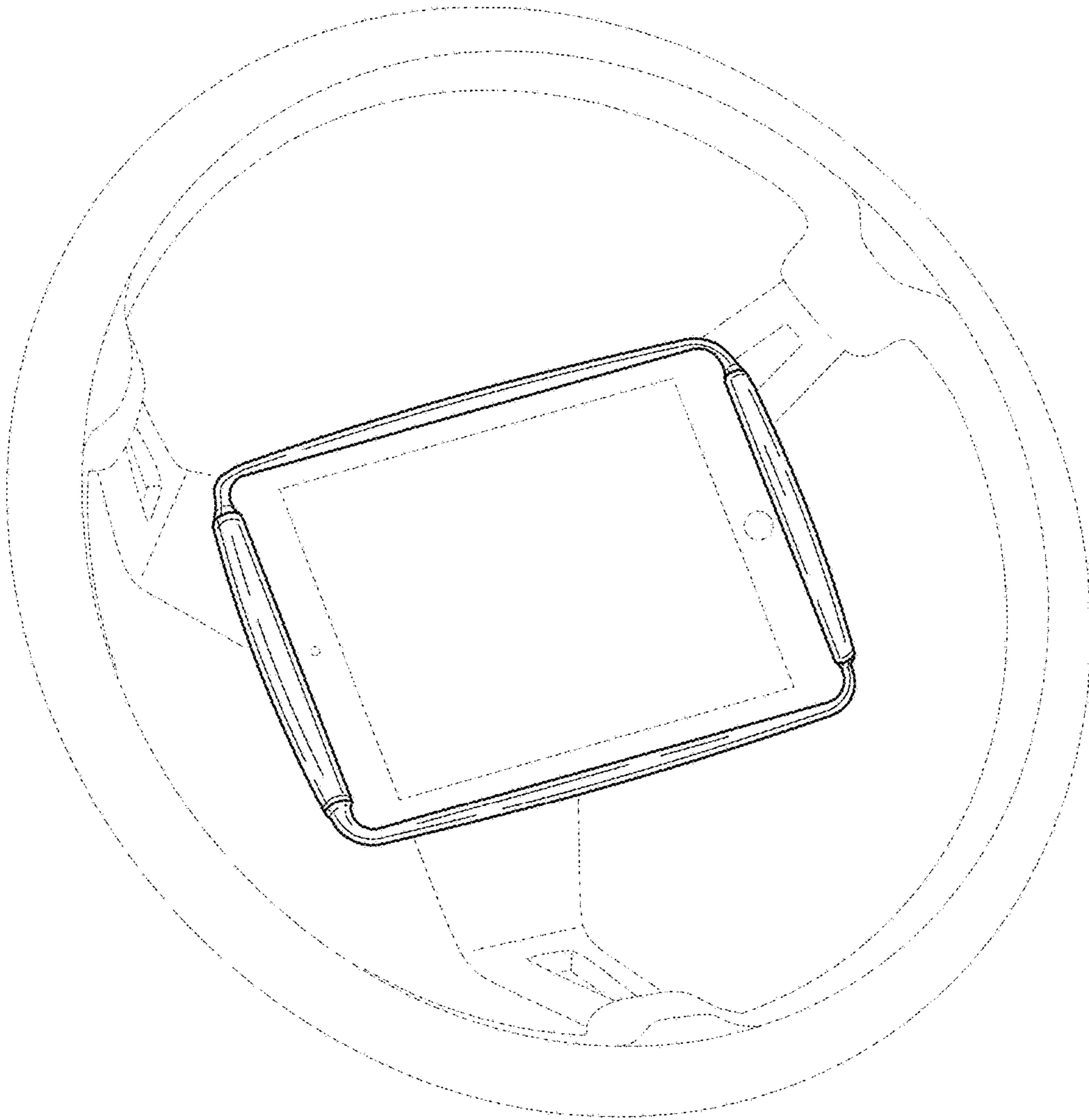


FIG. 1

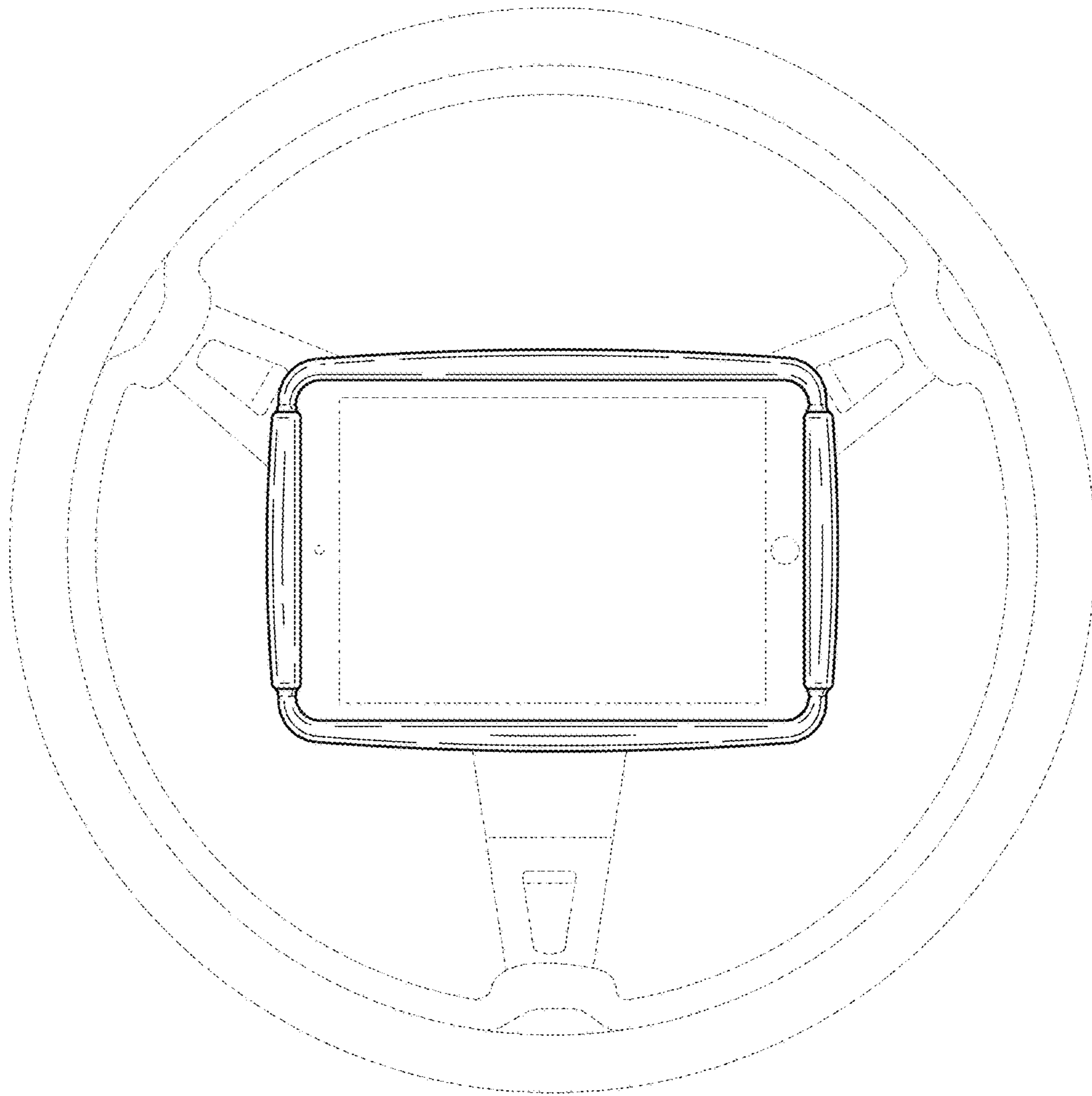


FIG. 2

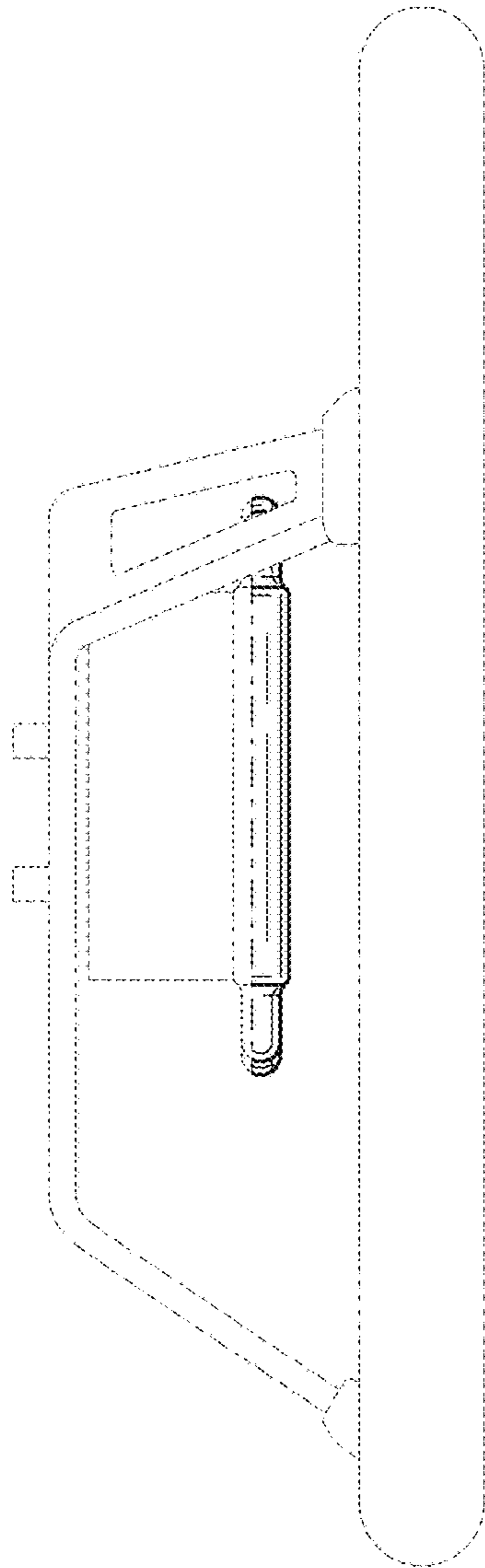


FIG. 3

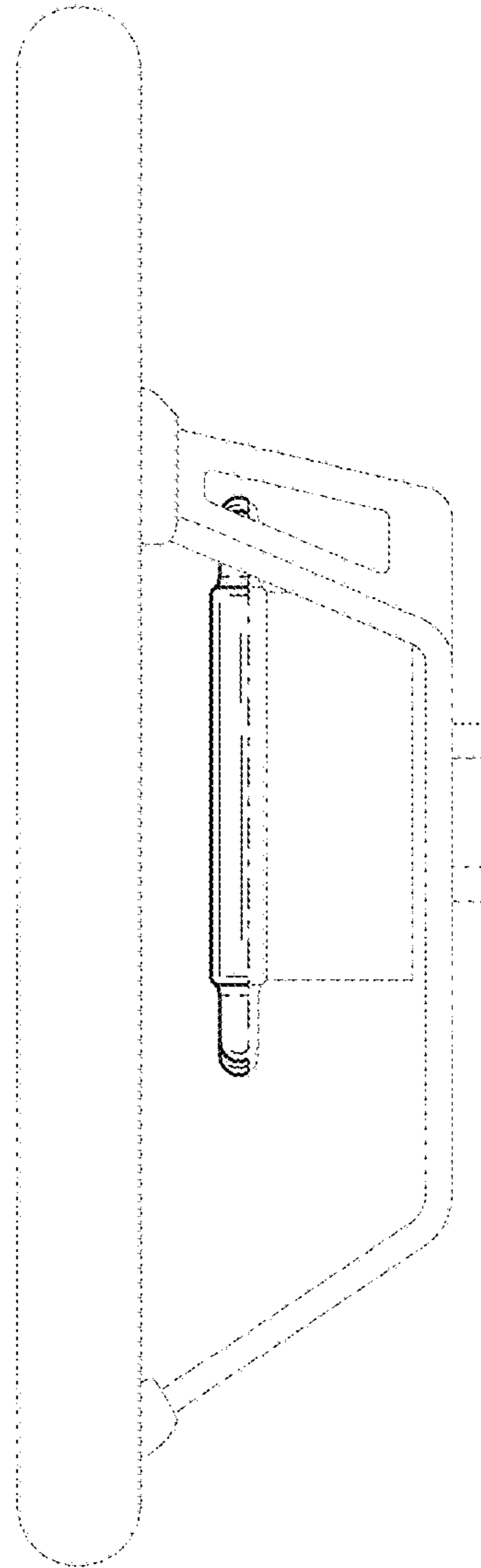


FIG. 4

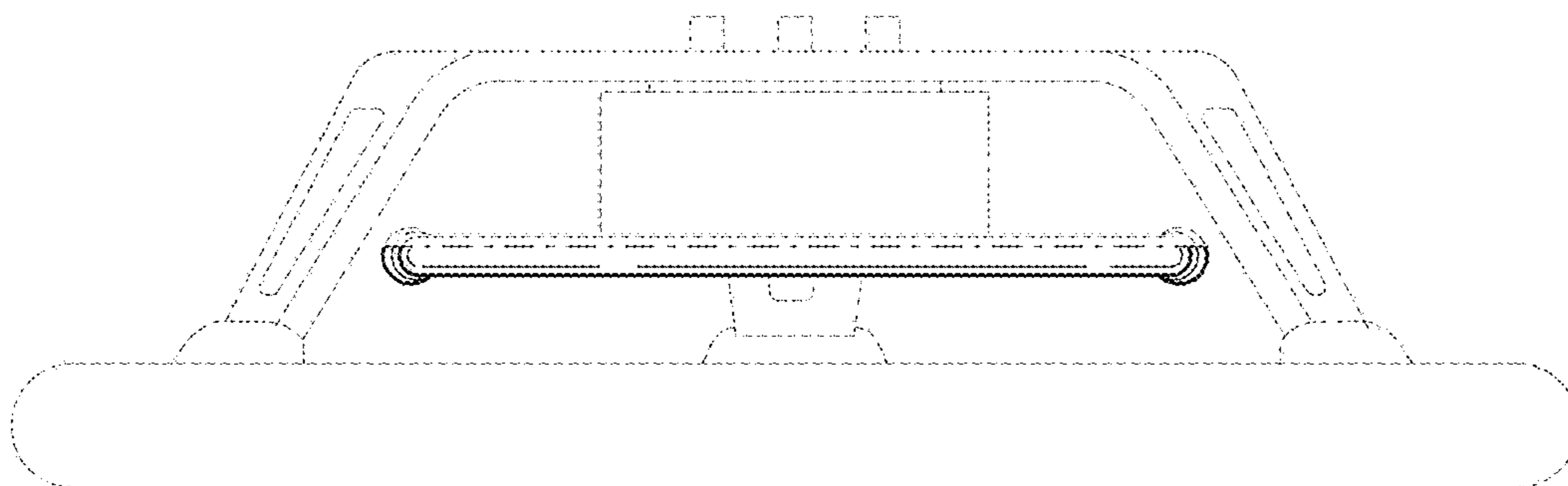


FIG. 5

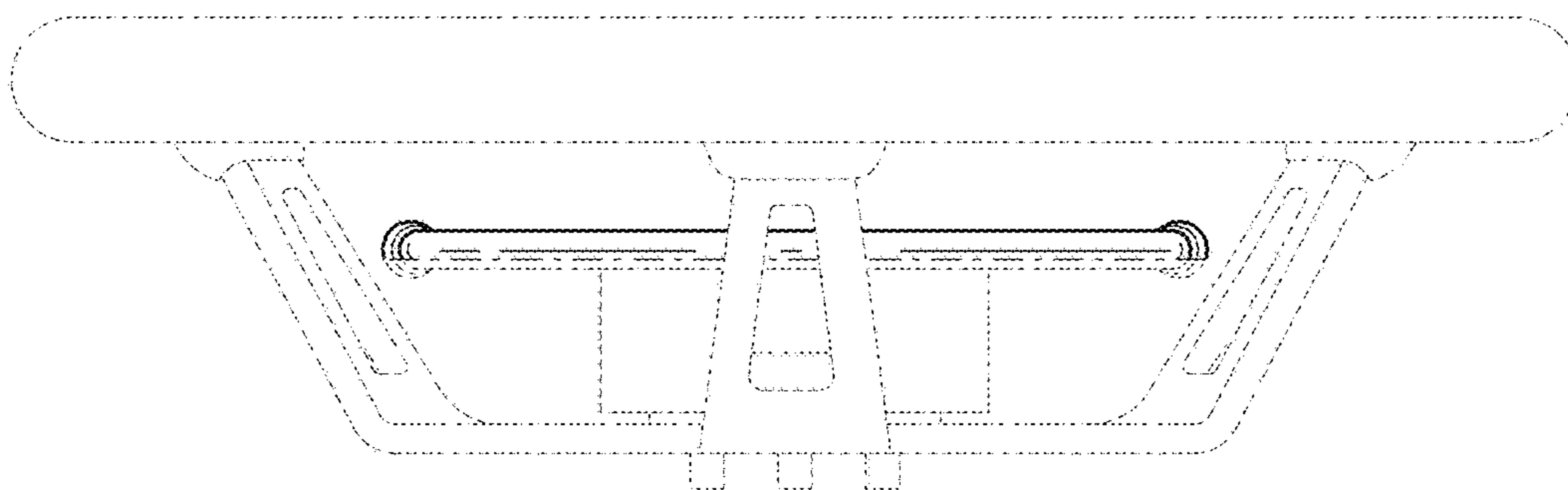


FIG. 6