



US00D826235S

(12) **United States Design Patent**
Akana et al.

(10) **Patent No.:** **US D826,235 S**
(45) **Date of Patent:** **** Aug. 21, 2018**

(54) **COMPONENT FOR AN ELECTRONIC DEVICE**

(71) Applicant: **Apple Inc.**, Cupertino, CA (US)

(72) Inventors: **Jody Akana**, San Francisco, CA (US); **Bartley K. Andre**, Palo Alto, CA (US); **Jeremy Bataillou**, San Francisco, CA (US); **Sean Stewart Corbin**, San Jose, CA (US); **Daniel J. Coster**, San Francisco, CA (US); **Daniele De Iuliis**, San Francisco, CA (US); **M. Evans Hankey**, San Francisco, CA (US); **Julian Hoenig**, San Francisco, CA (US); **Richard P. Howarth**, San Francisco, CA (US); **Jonathan P. Ive**, San Francisco, CA (US); **Duncan Robert Kerr**, San Francisco, CA (US); **Stephen McClure**, San Francisco, CA (US); **Shin Nishibori**, Kailua, HI (US); **Florence Wong Ow**, Burlingame, CA (US); **John Raff**, Menlo Park, CA (US); **Matthew Dean Rohrbach**, San Francisco, CA (US); **Peter Russell-Clarke**, San Francisco, CA (US); **Mikael Silvano**, San Francisco, CA (US); **Christopher J. Stringer**, Woodside, CA (US); **Eugene Antony Whang**, San Francisco, CA (US); **Alex Chun Lap Yeung**, South San Francisco, CA (US); **Rico Zörkendörfer**, San Francisco, CA (US)

(73) Assignee: **Apple Inc.**, Cupertino, CA (US)

(**) Term: **15 Years**

(21) Appl. No.: **29/576,408**

(22) Filed: **Sep. 2, 2016**

Related U.S. Application Data

(63) Continuation of application No. 29/557,795, filed on Mar. 11, 2016, now Pat. No. Des. 765,661, which is

a continuation of application No. 29/527,276, filed on May 18, 2015, now Pat. No. Des. 751,559, which is a continuation of application No. 29/508,579, filed on Nov. 7, 2014, now Pat. No. Des. 729,805, which is a continuation of application No. 29/434,891, filed on Oct. 17, 2012, now Pat. No. Des. 717,800.

(51) **LOC (11) Cl.** **14-02**

(52) **U.S. Cl.**
USPC **D14/439**

(58) **Field of Classification Search**

USPC D14/341-347, 424, 425, 432-453, 464, D14/468, 469, 471, 496, 511, 138 AA, D14/138 AD, 138 C, 138 G, 203.1-203.8, D14/217, 238.1, 248, 250, 257, 299; 361/679.01, 679.02, 679.03, 679.3, 361/679.55, 679.56; 455/550.1, 556.1, 455/556.2, 575.1, 575.3-575.5, 575.8, 455/90.3

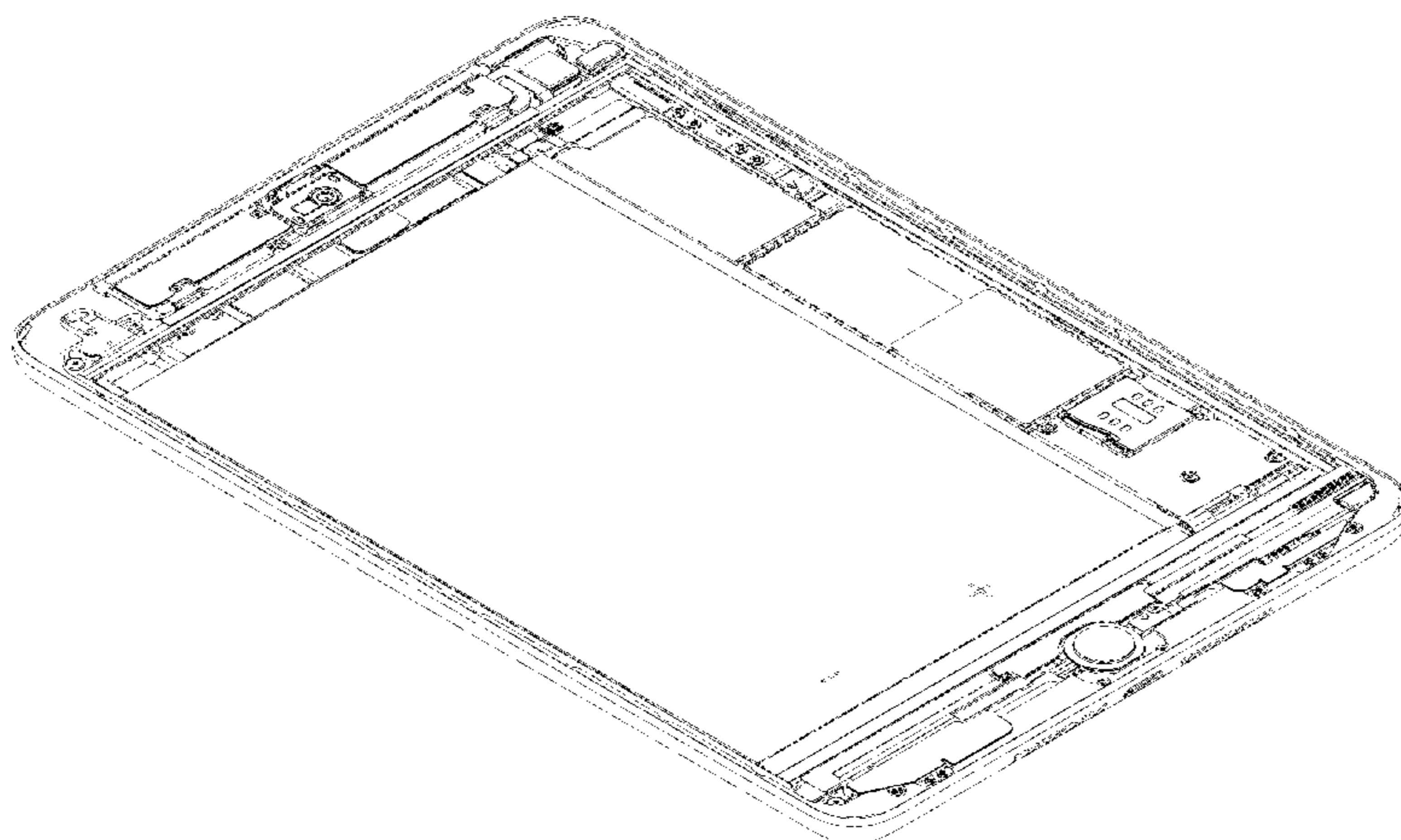
CPC H04M 1/0277; H04M 1/0202; H04M 1/02; H04B 1/3838

See application file for complete search history.

(56) **References Cited**

U.S. PATENT DOCUMENTS

D30,079 S	1/1899	Sametz
2,968,176 A	1/1961	Collings
D305,717 S	1/1990	Soren et al.
D306,583 S	3/1990	Krolopp et al.
D309,293 S	7/1990	Helbig, Jr.
D332,328 S	1/1993	Lombardi, Jr.
5,180,644 A	1/1993	Bresin et al.
D340,917 S	11/1993	Sakaguchi et al.
5,703,626 A	12/1997	Itoh et al.
D412,157 S	7/1999	Stevenson
6,094,340 A	7/2000	Min
6,276,655 B1	8/2001	Byoun
D453,930 S	2/2002	Vuolteenaho et al.
D454,868 S	3/2002	Vuolteenaho et al.
D458,252 S	6/2002	Palm et al.
D461,802 S	8/2002	Tu
D474,163 S	5/2003	Araki
D494,971 S	8/2004	Jobs et al.
D500,037 S	12/2004	Ozolins et al.
D504,889 S	5/2005	Andre et al.
D549,231 S	8/2007	Doyle et al.
D556,211 S	11/2007	Howard et al.



US D826,235 S

D557,259 S	12/2007	Hirsch	
D574,819 S	8/2008	Andre et al.	
D578,125 S *	10/2008	Iseki	D14/315
D580,387 S	11/2008	Andre et al.	
D586,800 S	2/2009	Andre et al.	
D599,342 S	9/2009	Andre et al.	
D599,736 S	9/2009	Ferber et al.	
D600,241 S	9/2009	Andre et al.	
D602,015 S	10/2009	Andre et al.	
D602,017 S	10/2009	Andre et al.	
D602,486 S	10/2009	Andre et al.	
D602,488 S	10/2009	Jiang et al.	
D604,289 S	11/2009	Andre et al.	
D604,292 S	11/2009	Andre et al.	
D604,733 S	11/2009	Andre et al.	
D606,988 S	12/2009	Andre et al.	
D608,763 S	1/2010	Andre et al.	
D609,226 S	2/2010	Hofer et al.	
D609,705 S	2/2010	Andre et al.	
7,660,560 B2	2/2010	Zuo et al.	
D611,469 S	3/2010	Andre et al.	
7,688,574 B2	3/2010	Zadesky et al.	
D614,161 S	4/2010	Andre et al.	
D614,162 S	4/2010	Andre et al.	
7,697,281 B2	4/2010	Dabov et al.	
D615,554 S	5/2010	Andre et al.	
D617,792 S	6/2010	Andre et al.	
D618,241 S	6/2010	Akana et al.	
D618,242 S	6/2010	Akana et al.	
D619,361 S	7/2010	Andre et al.	
D620,004 S	7/2010	Andre et al.	
D622,514 S	8/2010	Park et al.	
D622,716 S	8/2010	Andre et al.	
D622,718 S	8/2010	Andre et al.	
D623,184 S	9/2010	Green et al.	
D624,536 S	9/2010	Andre et al.	
D625,303 S	10/2010	Kim	
D625,307 S	10/2010	Cheng	
D627,777 S	11/2010	Akana et al.	
D630,207 S	1/2011	Seong	
D630,624 S	1/2011	Corley et al.	
D630,630 S	1/2011	Andre et al.	
D631,474 S	1/2011	Green et al.	
7,869,206 B2	1/2011	Dabov et al.	
D632,688 S	2/2011	Seong	
D633,090 S	2/2011	Andre et al.	
D633,092 S	2/2011	Andre et al.	
D636,770 S	4/2011	Li	
7,933,123 B2	4/2011	Wang et al.	
D637,596 S	5/2011	Akana et al.	
D638,814 S	5/2011	Sutherland et al.	
D639,261 S	6/2011	Garnham et al.	
D640,219 S	6/2011	Sutherland et al.	
D640,663 S	6/2011	Arnholt et al.	
D641,018 S	7/2011	Lee et al.	
D642,563 S	8/2011	Akana et al.	
D645,833 S	9/2011	Seflic et al.	
D646,266 S	10/2011	Kim et al.	
D647,882 S	11/2011	Kim et al.	
D649,968 S	12/2011	Li	
D650,381 S	12/2011	Park et al.	
D651,606 S	1/2012	Luijben	
8,106,836 B2	1/2012	Hill et al.	
D654,497 S	2/2012	Lee	
D656,136 S	3/2012	Lee	
D657,782 S	4/2012	Biller	
D659,692 S	5/2012	Jung et al.	
D662,100 S	6/2012	Van Den Nieuwenhuizen et al.	
D663,287 S	7/2012	Kim et al.	
D663,298 S	7/2012	Song et al.	
D664,540 S	7/2012	Kim et al.	
8,243,429 B2	8/2012	Zadesky et al.	
D669,077 S	10/2012	McManigal et al.	
D670,692 S	11/2012	Akana et al.	
D671,947 S *	12/2012	Akana	D14/439
D676,819 S	2/2013	Choi	
D676,824 S	2/2013	Lee	
D677,255 S	3/2013	McManigal et al.	
D677,644 S	3/2013	Park	
D677,658 S	3/2013	Akana et al.	
D677,659 S	3/2013	Akana et al.	
D677,665 S *	3/2013	Akana	D14/439
8,570,736 B2	10/2013	McClure et al.	
D694,755 S *	12/2013	Akana	D14/341
8,599,574 B2	12/2013	Peng et al.	
D697,918 S	1/2014	Akana et al.	
D699,717 S	2/2014	Akana et al.	
D704,190 S	5/2014	Sugino et al.	
D708,186 S	7/2014	Akana et al.	
D710,855 S *	8/2014	Akana	D14/439
D714,789 S *	10/2014	Chen	D14/432
D717,800 S *	11/2014	Akana	D14/432
D718,767 S *	12/2014	Akana	D14/439
8,952,860 B2	2/2015	Li et al.	
D729,805 S *	5/2015	Bataillou	D14/432
D749,077 S *	2/2016	Akana	D14/439
D750,065 S	2/2016	Akana et al.	
D751,559 S *	3/2016	Babiarz	D14/432
D765,661 S *	9/2016	Akana	D14/432
D767,572 S *	9/2016	Akana	D14/439
D772,877 S *	11/2016	Akana	D14/432
D786,254 S *	5/2017	Yum	D14/138 G
D791,139 S *	7/2017	Akana	D14/439
D797,746 S *	9/2017	Heiss	D14/432
2004/0070962 A1	4/2004	Schremmer	
2006/0237599 A1	10/2006	Ternus et al.	
2008/0225468 A1	9/2008	Huang et al.	
2009/0067141 A1	3/2009	Dabov et al.	
2009/0256759 A1	10/2009	Hill et al.	
2010/0061055 A1	3/2010	Dabov et al.	
2010/0142134 A1	6/2010	Zadesky et al.	
2010/0146766 A1	6/2010	Dabov et al.	
2010/0289390 A1	11/2010	Kenney	
2011/0050560 A1	3/2011	Foster et al.	
2011/0088838 A1	4/2011	Thompson et al.	
2011/0151945 A1	6/2011	Jiang et al.	
2011/0164365 A1	7/2011	McClure et al.	
2011/0166690 A1	7/2011	Ternus et al.	
2011/0180557 A1	7/2011	Kenney	
2011/0299231 A1 *	12/2011	Gaddis, II	H05K 5/023 361/679.01
2012/0044123 A1	2/2012	Rothkopf et al.	
2012/0048589 A1	3/2012	Jol	
2012/0051025 A1	3/2012	Jol et al.	
2012/0097412 A1	4/2012	Wennemer et al.	
2012/0194393 A1 *	8/2012	Uttermann	H01Q 1/243 343/702
2012/0194997 A1 *	8/2012	McClure	G06F 1/1626 361/679.55
2012/0194998 A1 *	8/2012	McClure	G06F 1/1626 361/679.56

FOREIGN PATENT DOCUMENTS

EM	001767435-0001	10/2010
EM	001802315-0001	1/2011
EM	001332845-0001	6/2012
JP	D1142127	5/2002
JP	D1250487	9/2005
JP	D1383724	3/2010
KR	30-0598021	5/2001

OTHER PUBLICATIONS

Arrington. M., TechCrunch, "We Want A Dead Simple Web Tablet for \$200. Help Us Build It," (<http://techcrunch.com/2008/07/21/we-want-a-dead-simple-web-tablet-help-us-build-it/>), published Jul. 21, 2008, 31 pages.

My Burmese Blog, "Apple Touch Screen Netbook Prototypes Hit the Web," (<http://www.htootayzar.com/myblog/2009/03/apple-touch-screen-netbook-prototypes-hit-the-web/>), published Mar. 12, 2009, 10 pages.

Apple's Reply in Support of its Motion for a Preliminary Injunction (Redacted), p. 11, *Apple Inc. v. Samsung Electronics Co., Ltd.*, United States District Court, Northern District of California., San

Jose Division, Case No. 11-cv-01846-LHK, dated Oct. 13, 2011, 38 pages total.

* cited by examiner

Primary Examiner — Austin Murphy
(74) *Attorney, Agent, or Firm* — Sterne, Kessler,
Goldstein & Fox P.L.L.C.

(57) **CLAIM**

The ornamental design for a component for an electronic device, as shown and described.

DESCRIPTION

FIG. 1 is a bottom front perspective view of a component for an electronic device showing the claimed, design;
FIG. 2 is a front view thereof;

FIG. 3 is a rear view thereof;
FIG. 4 is a left side view thereof;
FIG. 5 is a right side view thereof;
FIG. 6 is a top view thereof;
FIG. 7 is a bottom view thereof;
FIG. 8 is a bottom front perspective view of a component for an electronic device showing the claimed design;
FIG. 9 is a front view thereof;
FIG. 10 is a rear view thereof;
FIG. 11 is a left side view thereof;
FIG. 12 is a right side view thereof;
FIG. 13 is a top view thereof; and,
FIG. 14 is a bottom view thereof.
The broken lines in the Figures show portions of the component for an electronic device that form no part of the claimed design.

1 Claim, 10 Drawing Sheets

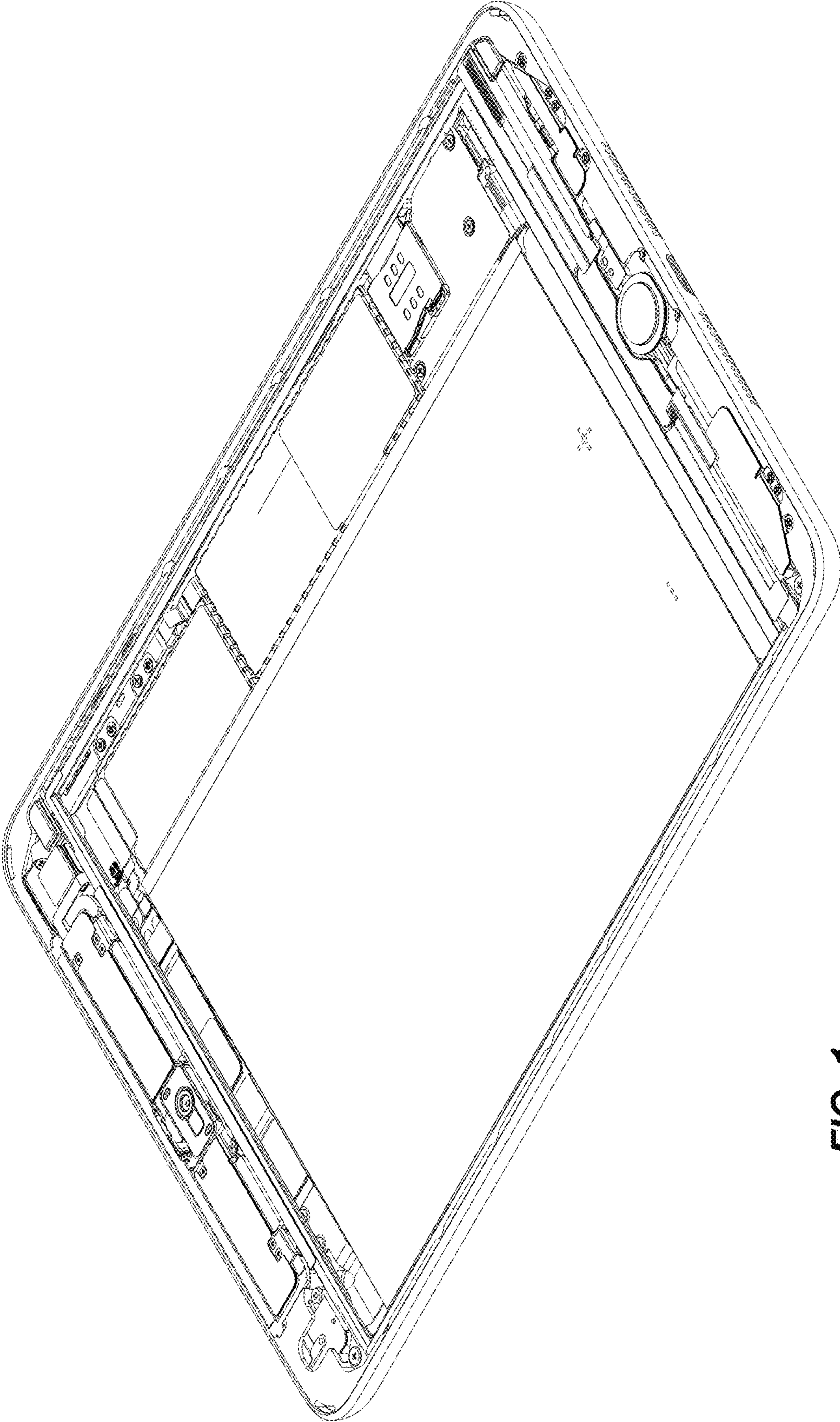


FIG. 1

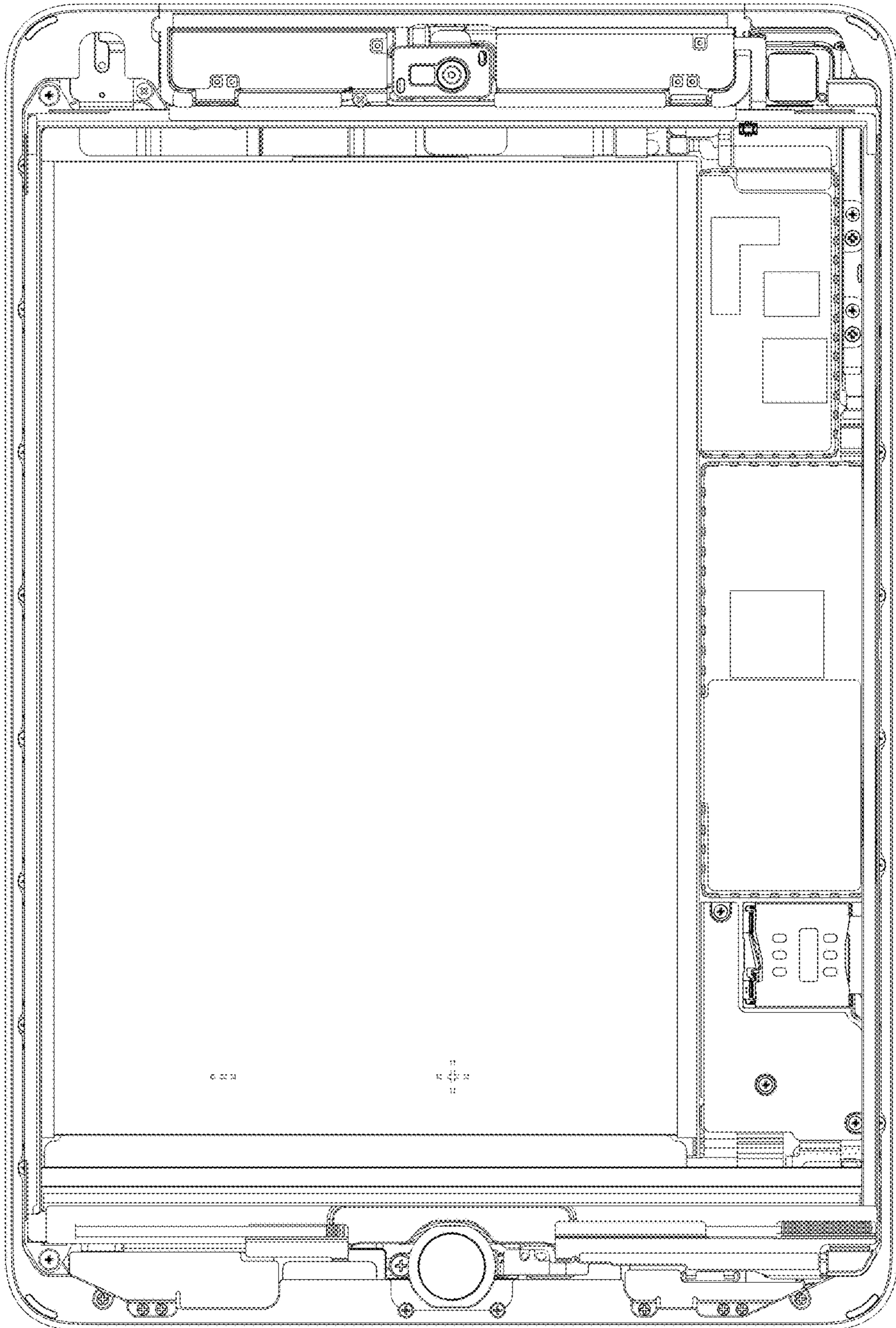


FIG. 2

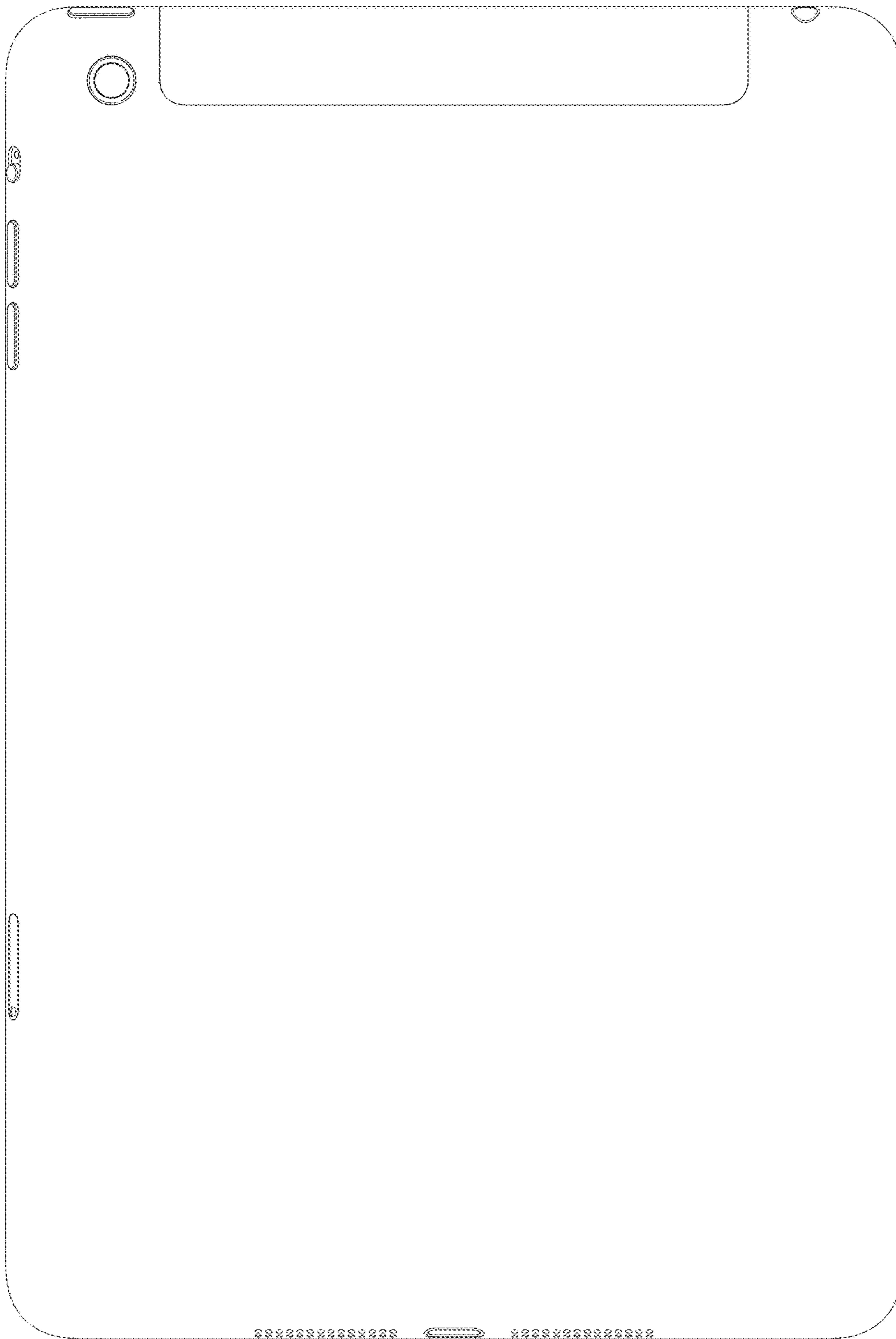


FIG. 3

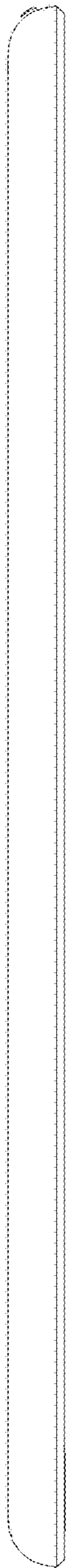


FIG. 4

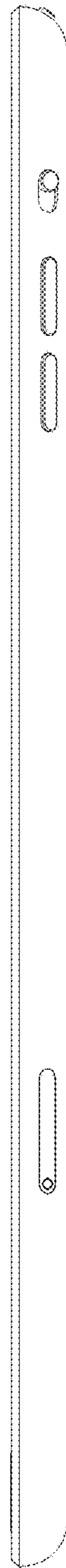


FIG. 5

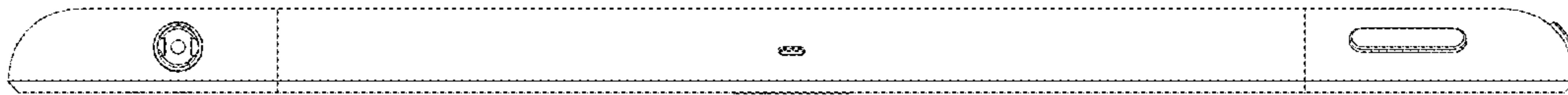


FIG. 6

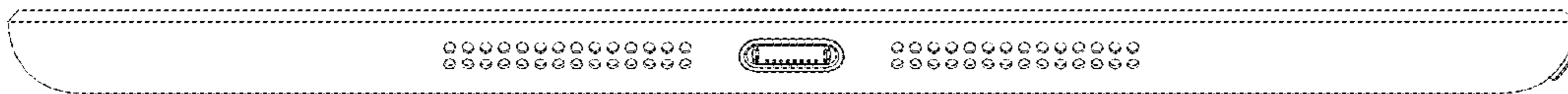


FIG. 7

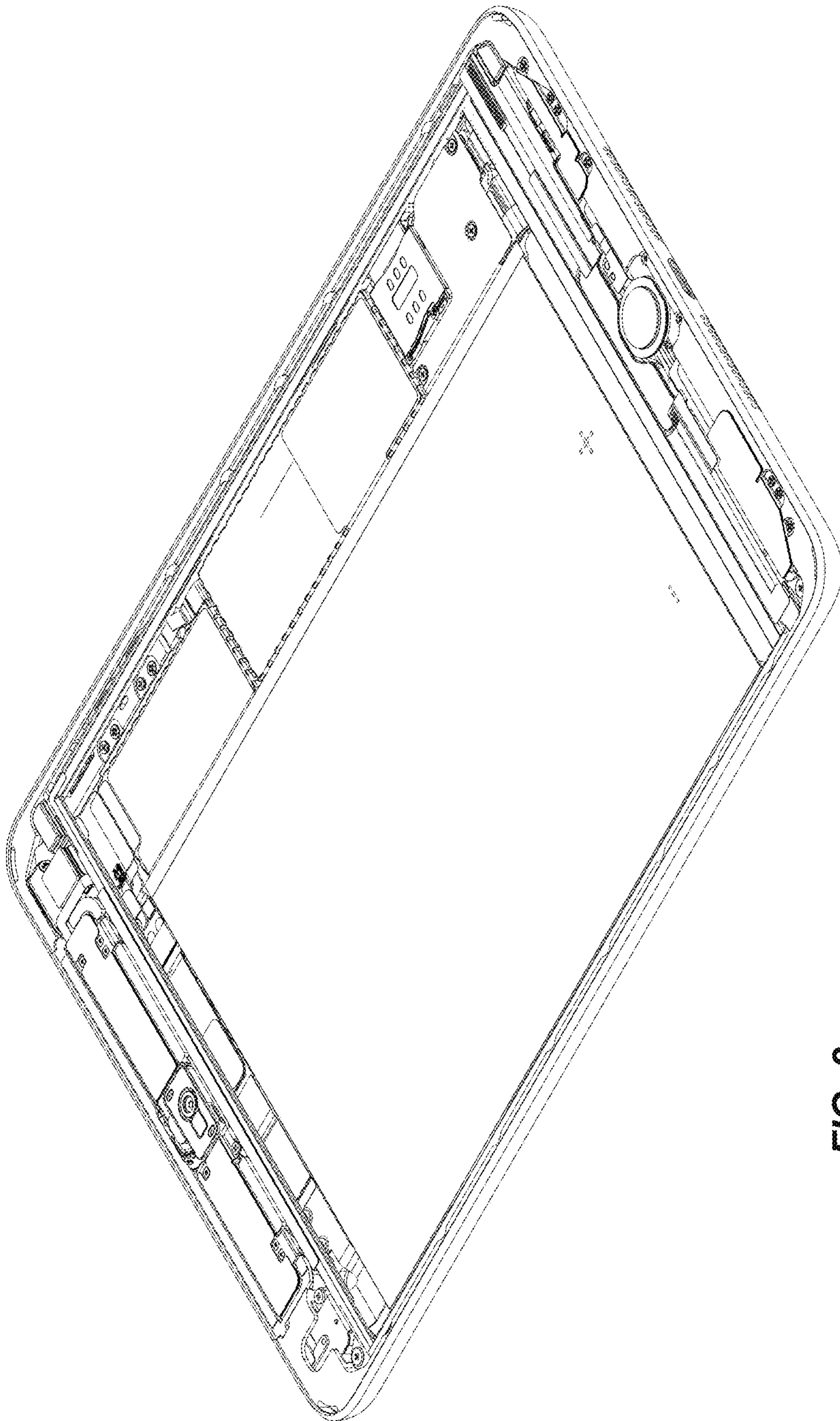


FIG. 8

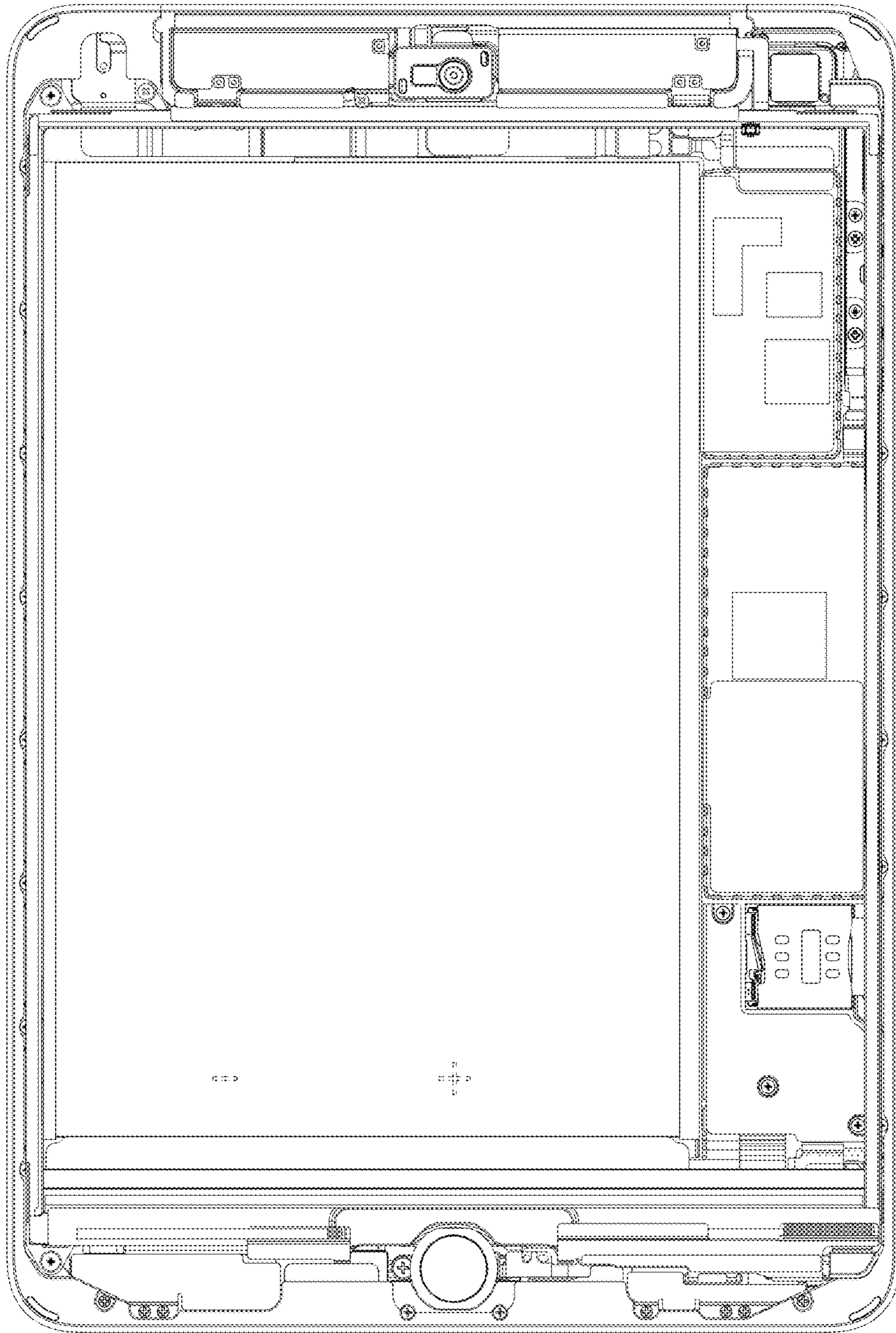


FIG. 9

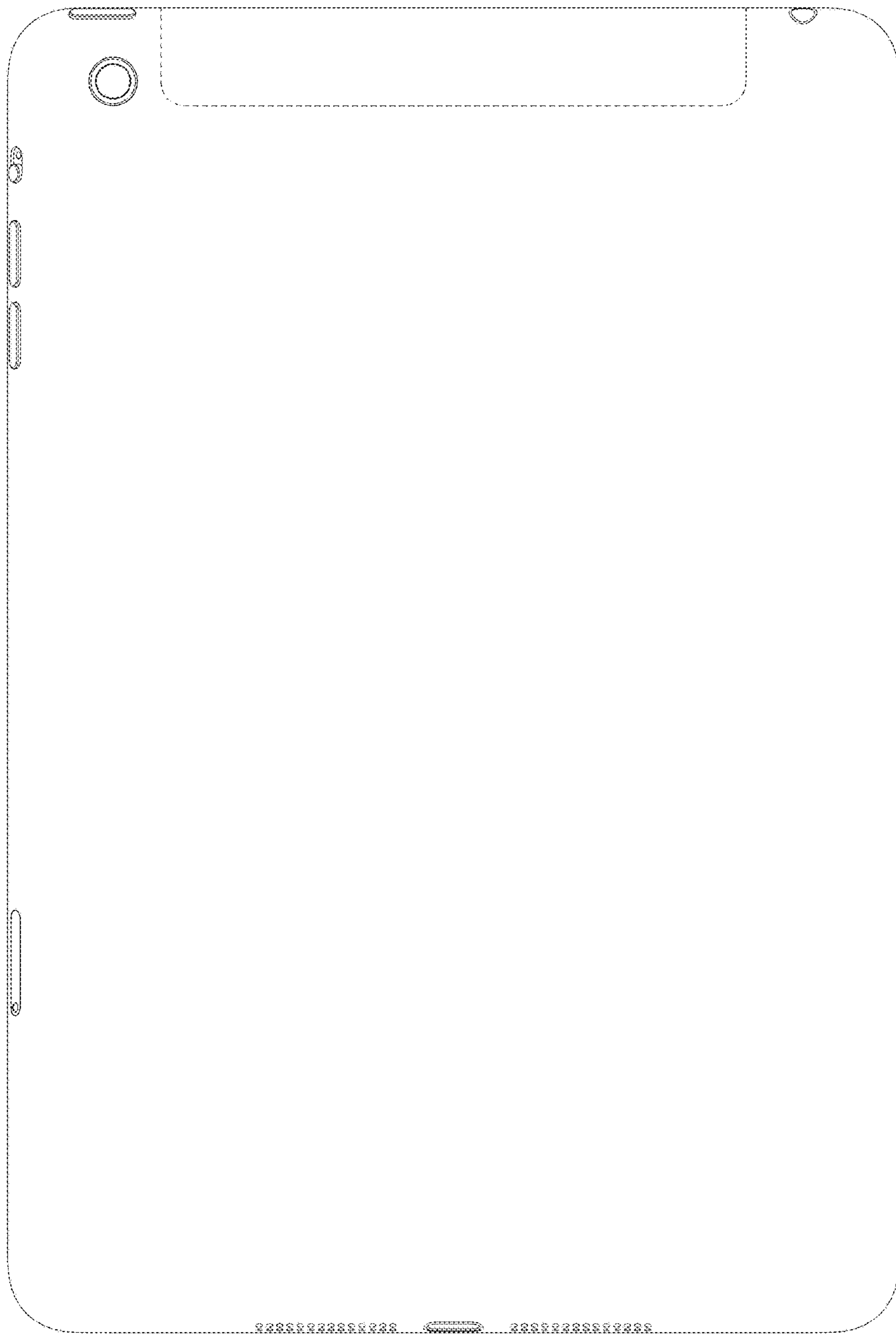


FIG. 10

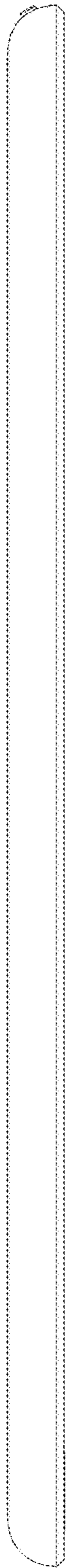


FIG. 11



FIG. 12



FIG. 13



FIG. 14