



US00D826234S

(12) **United States Design Patent**
Zhou et al.

(10) **Patent No.:** **US D826,234 S**

(45) **Date of Patent:** **** Aug. 21, 2018**

(54) **INDICIA SCANNER**

(71) Applicant: **Hand Held Products, Inc.**, Fort Mill, SC (US)

(72) Inventors: **Peng Zhou**, Suzhou (CN); **Timothy R. Fitch**, Syracuse, NY (US); **Hao Xu**, Suzhou (CN)

(73) Assignee: **Hand Held Products, Inc.**, Fort Mill, SC (US)

(**) Term: **15 Years**

(21) Appl. No.: **29/560,799**

(22) Filed: **Apr. 11, 2016**

(51) **LOC (11) Cl.** **14-02**

(52) **U.S. Cl.**
USPC **D14/428**

(58) **Field of Classification Search**
USPC D14/420, 426-430, 453, 346, 341, 347, D14/412, 138; D13/107, 184; 358/473; 235/462.43, 462.45, 462.47, 462.48, 235/462.44, 462.46, 487, 472.01, 472.02, 235/145 A, 145 R; D10/78; 324/426; D3/273; 710/73; D18/7; 361/679, 728, 361/679.56; 382/313, 321; 455/575.1, 455/561, 572; 345/156, 168, 169, 172, 345/173, 87; 705/17, 18, 22-25

CPC G06F 1/626; G06F 1/1626; G06F 1/1656; G06F 1/1632; G06F 1/1684; G06F 1/1635; G06F 8/63; G06F 17/30091; G06F 9/4401; G06K 7/10881; G06K 7/1098; G06K 7/10722; G06K 7/1404; G06K 7/0004; G06K 7/10633; G06K 7/10851; G06K 7/1091; G06K 7/1092; G06K 7/1093; G06K 7/10; G06K 7/109; G06K 7/1417; G06K 9/228; G06K 17/0022; G06K 17/00; G06K 2207/1011; G06K 2207/1013; G06K 2207/1016; G06K 2207/1018; G06K 2017/0051; G06K 2017/0067; G06K 2007/10524; G07G 1/0081; G07G 1/009; G06Q 20/20;

G06Q 20/201; G06Q 20/202; G06Q 20/203; G06Q 20/30; G06Q 20/32; G06Q 20/322; G06Q 20/4014; G06Q 10/087; H04N 1/00127; H04N 1/00135; H04N 1/00326; H04N 1/00334; H04N 1/00307; H04N 1/107; H04N 2201/0084; H04N 2101/00; H04M 1/0249; H04M 1/0262; H04M 1/0266; H04M 1/18; H04M 1/23; H04M 1/236; H04B 1/3827; H04B
(Continued)

(56) **References Cited**

U.S. PATENT DOCUMENTS

D362,435 S 9/1995 Charych et al.
5,475,206 A 12/1995 Reddersen et al.
(Continued)

Primary Examiner — Susan Moon Lee

(74) *Attorney, Agent, or Firm* — Additon, Higgins & Pendleton, P.A.

(57) **CLAIM**

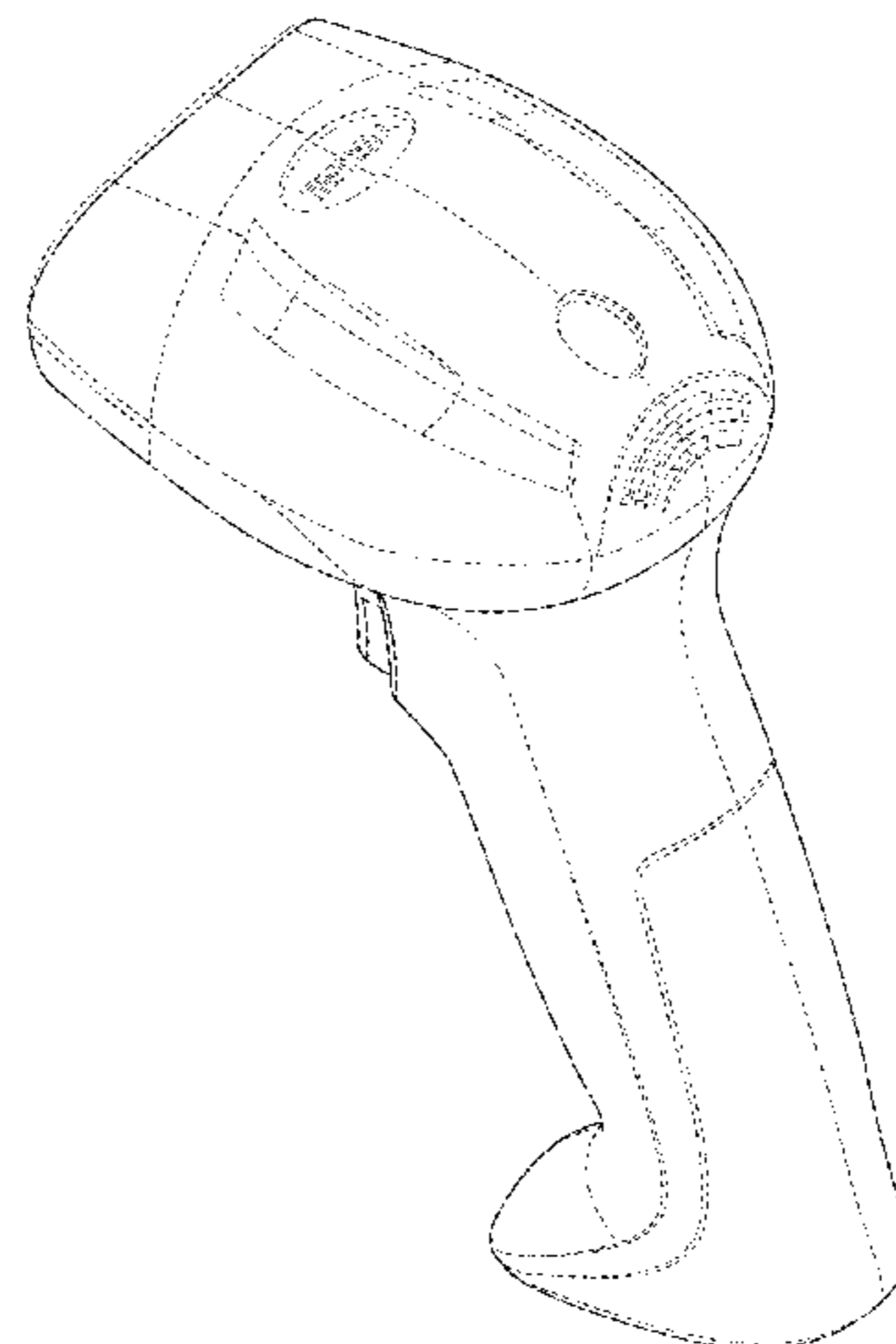
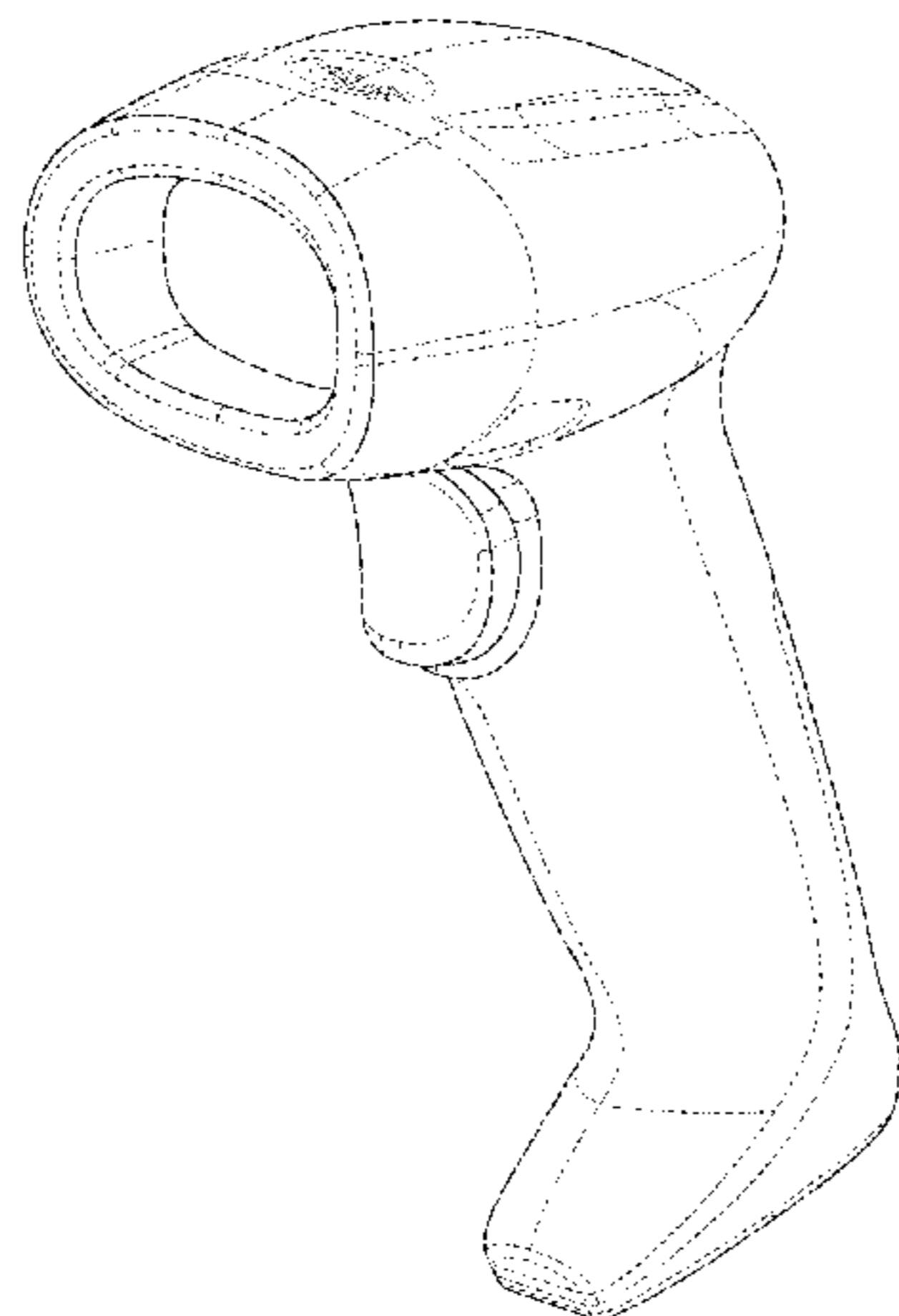
The ornamental design for an indicia scanner, as shown and described.

DESCRIPTION

FIG. 1 is a first perspective view of an indicia scanner; FIG. 2 is a front elevation view thereof; FIG. 3 is a rear elevation view thereof; FIG. 4 is a left side elevation view thereof; FIG. 5 is a right side elevation view thereof; FIG. 6 is a top plan view thereof; FIG. 7 is a bottom plan view thereof; FIG. 8 is second perspective view thereof; FIG. 9 is a third perspective view thereof; and, FIG. 10 is a fourth perspective view thereof.

The broken lines shown in the drawings of the indicia scanner are for illustrative purposes only and form no part of the claimed design.

1 Claim, 10 Drawing Sheets



US D826,234 S

(58) **Field of Classification Search**
 CPC .. 1/3833; H04B 1/3877; H04B 1/3883; H04B
 1/3888; H04B 2001/3894; H01M 2/1066
 See application file for complete search history.

(56) **References Cited**

U.S. PATENT DOCUMENTS

5,850,078 A 12/1998 Giordano et al.
 D414,171 S 9/1999 Swift et al.
 6,000,619 A 12/1999 Reddersen et al.
 D418,500 S 1/2000 Giordano et al.
 D446,524 S 8/2001 Bontly et al.
 6,321,990 B1 11/2001 Giordano et al.
 6,352,204 B2 3/2002 Hattersley et al.
 D456,810 S * 5/2002 Schlieffers D14/426
 D459,728 S 7/2002 Roberts et al.
 6,442,180 B1 8/2002 Gurrieri et al.
 D470,145 S 2/2003 Schlieffers et al.
 6,517,003 B2 2/2003 Vassura et al.
 D518,057 S 3/2006 Johnson et al.
 7,059,528 B2 6/2006 Barkan et al.
 D538,285 S 3/2007 MacGregor et al.
 D541,283 S 4/2007 MacGregor et al.
 D556,761 S 12/2007 MacGregor et al.
 D562,825 S 2/2008 Fitch et al.
 D570,843 S 6/2008 Mazzone et al.
 D574,832 S 8/2008 MacGregor et al.
 7,461,790 B2 12/2008 McQueen et al.
 D588,596 S 3/2009 Mazzone et al.
 7,527,515 B1 5/2009 Olson et al.
 D603,408 S 11/2009 Fitch
 D606,544 S 12/2009 Di Baru et al.
 D614,625 S 4/2010 Fitch et al.
 8,028,913 B2 10/2011 Liu et al.
 8,186,597 B1 5/2012 Fletcher
 8,296,754 B2 10/2012 Fitch
 8,376,233 B2 2/2013 Horn et al.
 D677,258 S 3/2013 Mistkawi
 8,390,909 B2 3/2013 Plesko
 8,421,604 B2 4/2013 Bellows et al.
 8,424,768 B2 4/2013 Rueblinger et al.
 D682,277 S 5/2013 Tasselli et al.
 D683,764 S 6/2013 Ridl et al.
 8,469,275 B2 6/2013 Dahari
 D687,856 S 8/2013 Haug
 D692,004 S 10/2013 Man
 D692,892 S 11/2013 Mistkawi
 8,657,199 B2 2/2014 Barkan et al.
 D702,238 S 4/2014 Alegiani et al.
 8,833,660 B1 9/2014 Slutsky et al.
 8,870,074 B1 10/2014 Gannon
 8,910,872 B2 12/2014 Barkan et al.
 D723,563 S 3/2015 Alegiani
 D726,186 S 4/2015 Jenkins et al.
 D730,357 S 5/2015 Fitch et al.
 9,053,378 B1 6/2015 Hou et al.
 D734,339 S 7/2015 Zhou et al.
 9,185,306 B1 * 11/2015 Tan G06K 7/10801
 D753,660 S 4/2016 Zhou et al.
 D791,137 S * 7/2017 Wang D14/428
 9,798,911 B1 * 10/2017 Handshaw G06K 7/10722
 9,800,749 B1 * 10/2017 Tan H04N 1/00816
 9,825,476 B2 * 11/2017 Mazzone H02J 7/0044
 9,911,295 B2 * 3/2018 Xie G08B 13/242
 9,940,497 B2 * 4/2018 Bourrel G06K 7/1413
 2001/0045466 A1 11/2001 Bontly
 2002/0056755 A1 5/2002 Canini et al.
 2002/0096566 A1 7/2002 Schwartz et al.
 2002/0125323 A1 9/2002 Marrs et al.
 2002/0148902 A1 10/2002 Schlieffers
 2004/0094627 A1 5/2004 Parker et al.
 2004/0134990 A1 7/2004 Fitch et al.
 2005/0023358 A1 2/2005 Byun et al.
 2006/0027657 A1 2/2006 Ninnink et al.
 2006/0032921 A1 2/2006 Gerst et al.
 2006/0131419 A1 6/2006 Nunnink

2007/0057067 A1* 3/2007 He G06K 7/10851
 235/462.45
 2007/0090193 A1 4/2007 Nunnink et al.
 2007/0091332 A1 4/2007 Nunnink
 2007/0119939 A1 5/2007 Epshteyn et al.
 2007/0176003 A1 8/2007 Brock
 2007/0199996 A1 8/2007 He et al.
 2007/0272756 A1* 11/2007 Brock G06K 7/10722
 235/462.25
 2008/0156880 A1 7/2008 Vinogradov
 2008/0179402 A1 7/2008 Barakan et al.
 2008/0191022 A1 8/2008 Barakan et al.
 2008/0265035 A1 10/2008 Vinogradov et al.
 2008/0290169 A1 11/2008 Gurevich et al.
 2009/0050701 A1 2/2009 Wang et al.
 2009/0078773 A1 3/2009 Carlson et al.
 2009/0078774 A1 3/2009 He
 2009/0084847 A1 4/2009 He et al.
 2009/0084849 A1 4/2009 He et al.
 2009/0140052 A1 6/2009 Liu et al.
 2009/0218403 A1 9/2009 Joseph et al.
 2009/0218405 A1 9/2009 Joseph et al.
 2009/0272807 A1 11/2009 Vinogradov
 2010/0219249 A1* 9/2010 Barkan G06K 7/10732
 235/462.42
 2010/0308116 A1 12/2010 Sani et al.
 2011/0069877 A1 3/2011 Vincenzi
 2011/0073658 A1 3/2011 Vassura et al.
 2011/0096512 A1* 4/2011 Klicpera G06K 7/10881
 361/747
 2011/0103004 A1* 5/2011 Brock G06F 1/1632
 361/679.43
 2011/0121077 A1 5/2011 Joseph et al.
 2011/0127334 A1 6/2011 Shi et al.
 2011/0127335 A1 6/2011 He et al.
 2011/0132984 A1 6/2011 Fletcher
 2011/0290886 A1 12/2011 Carlson
 2011/0290889 A1 12/2011 Tamburrini
 2011/0297853 A1 12/2011 Liu
 2012/0029994 A1 2/2012 Barkan
 2012/0048940 A1 3/2012 Chaumont
 2012/0049049 A1* 3/2012 Vinogradov G06K 7/10881
 250/216
 2012/0097744 A1 4/2012 Drzymala
 2012/0106352 A1* 5/2012 Peruzzi H04W 74/08
 370/241
 2012/0111946 A1 5/2012 Golant
 2012/0228382 A1 9/2012 Havens
 2012/0287332 A1 11/2012 Fjellstad
 2012/0319645 A1 12/2012 O'Donnell
 2013/0001290 A1 1/2013 Trajkovic
 2013/0043312 A1 2/2013 Van Horn
 2013/0070322 A1 3/2013 Fritz
 2013/0200158 A1 8/2013 Feng
 2013/0214048 A1 8/2013 Wilz
 2013/0292474 A1 11/2013 Xian
 2013/0292478 A1* 11/2013 Wang G06K 7/10712
 235/472.01
 2013/0306730 A1 11/2013 Brady
 2013/0306734 A1 11/2013 Xian
 2013/0313325 A1 11/2013 Wilz
 2013/0327834 A1 12/2013 Hennick
 2014/0048684 A1 2/2014 Barkan
 2014/0059414 A1 2/2014 He
 2014/0089121 A1 3/2014 Kaminsky
 2014/0091147 A1 4/2014 Evans
 2014/0117092 A1 5/2014 Vinogradov
 2014/0144978 A1 5/2014 Sun
 2014/0246496 A1 9/2014 Brock
 2014/0361082 A1 12/2014 Xian
 2015/0034724 A1 2/2015 He
 2015/0102109 A1 4/2015 Huck
 2015/0193645 A1* 7/2015 Colavito G06K 7/10881
 235/472.01
 2015/0379838 A1* 12/2015 Xie G08B 13/242
 340/572.3

(56)

References Cited

U.S. PATENT DOCUMENTS

2017/0140191 A1* 5/2017 Tanabe G06K 7/1417
2017/0270329 A1* 9/2017 Handshaw G06K 7/10811
2017/0330008 A1* 11/2017 Suman G06K 7/10881

* cited by examiner

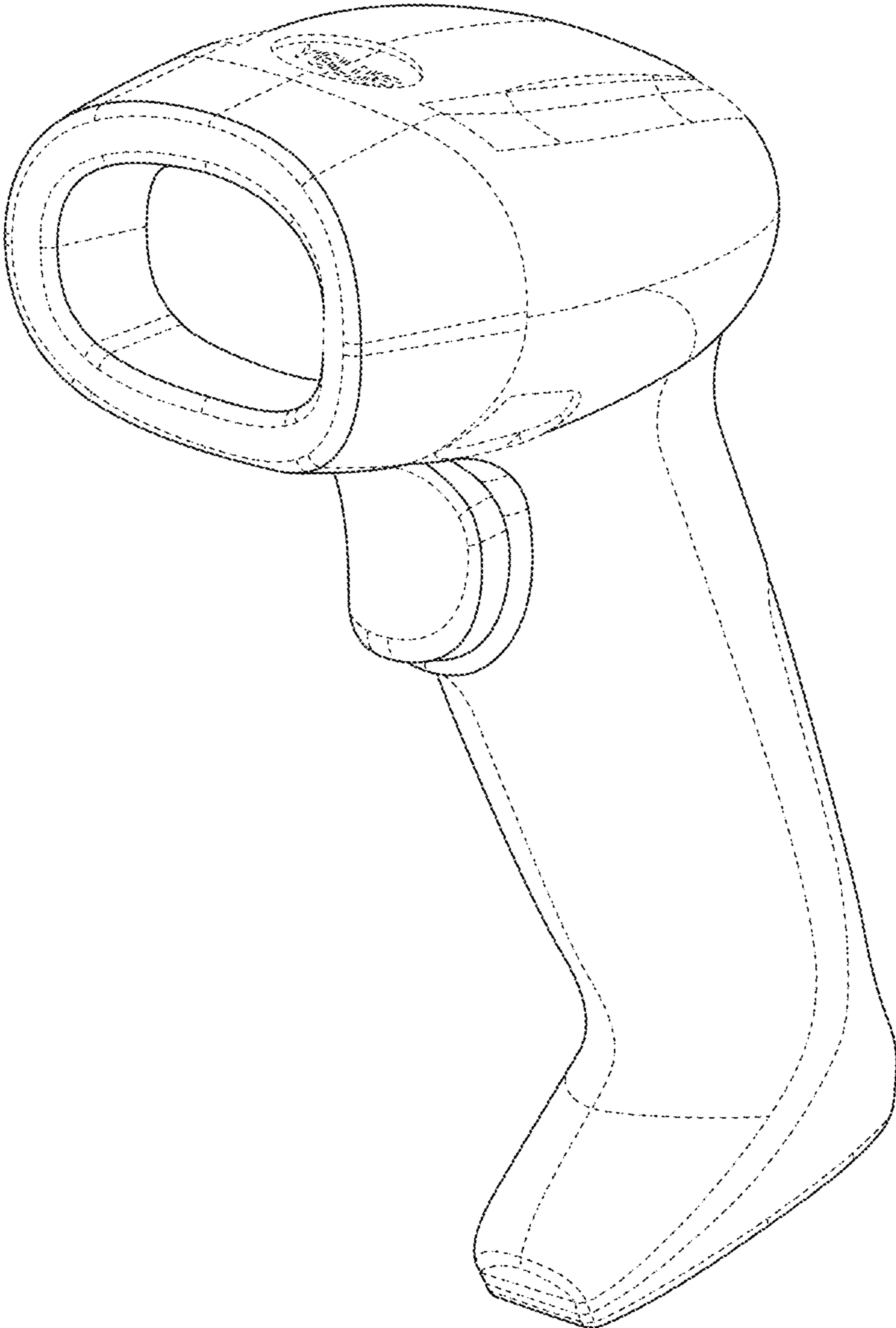


FIG. 1

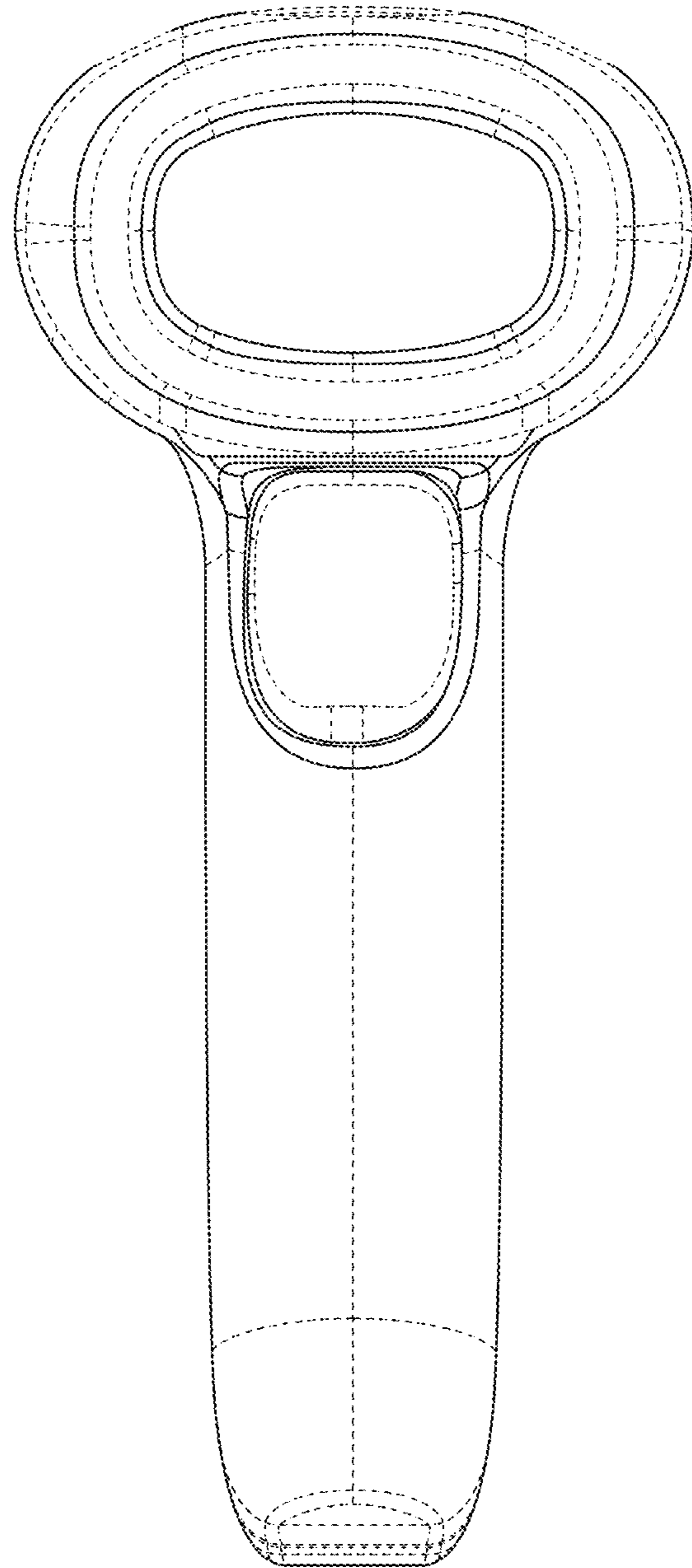


FIG. 2

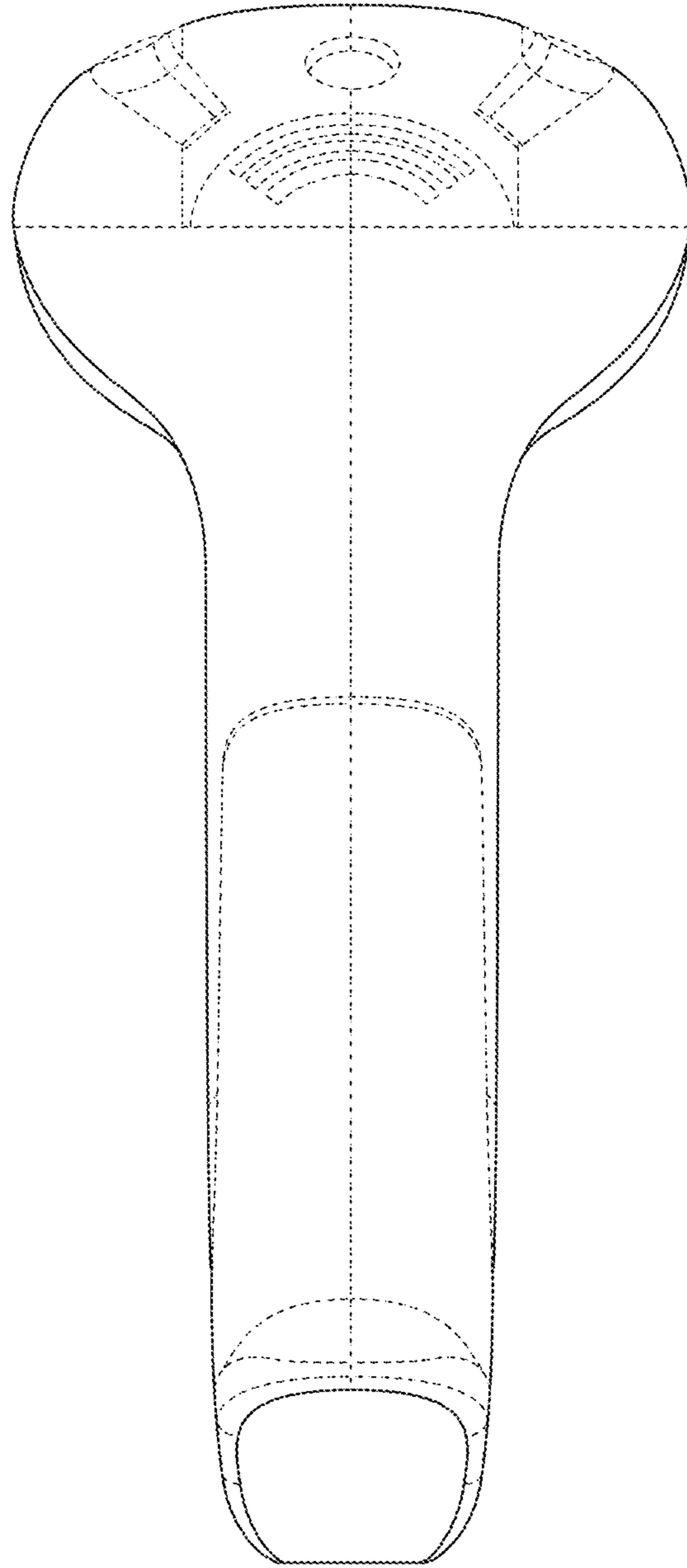


FIG. 3

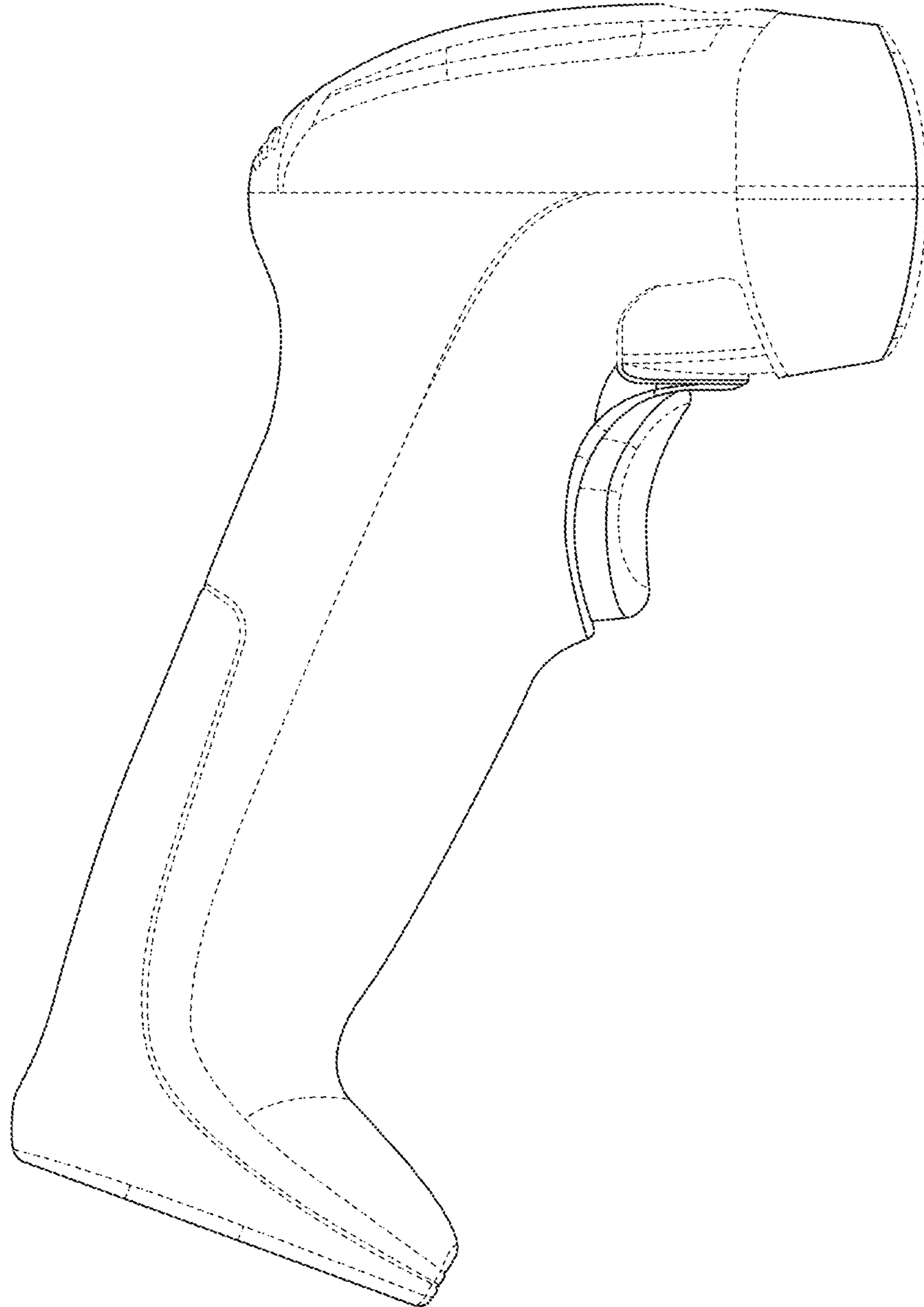


FIG. 4

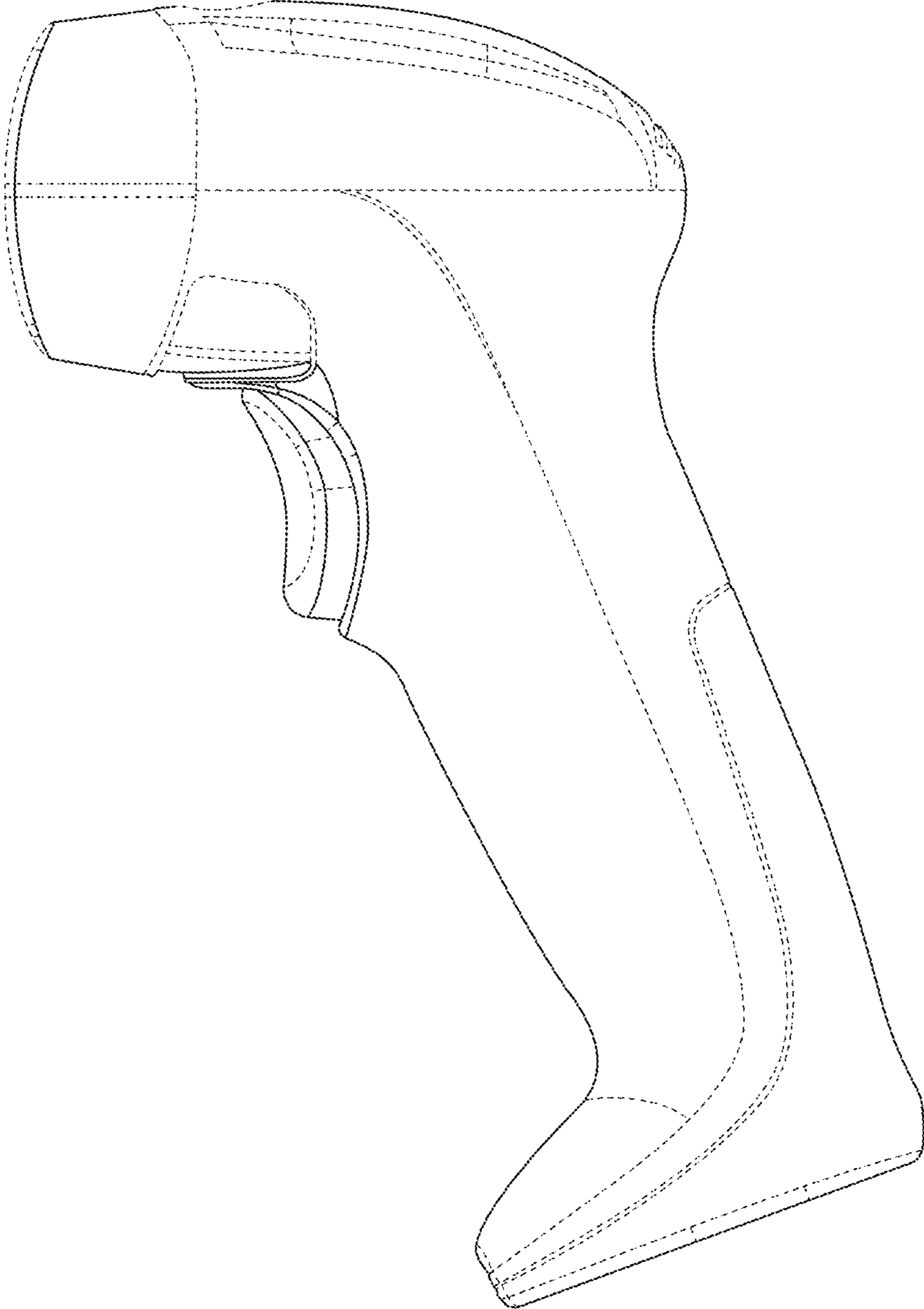


FIG. 5

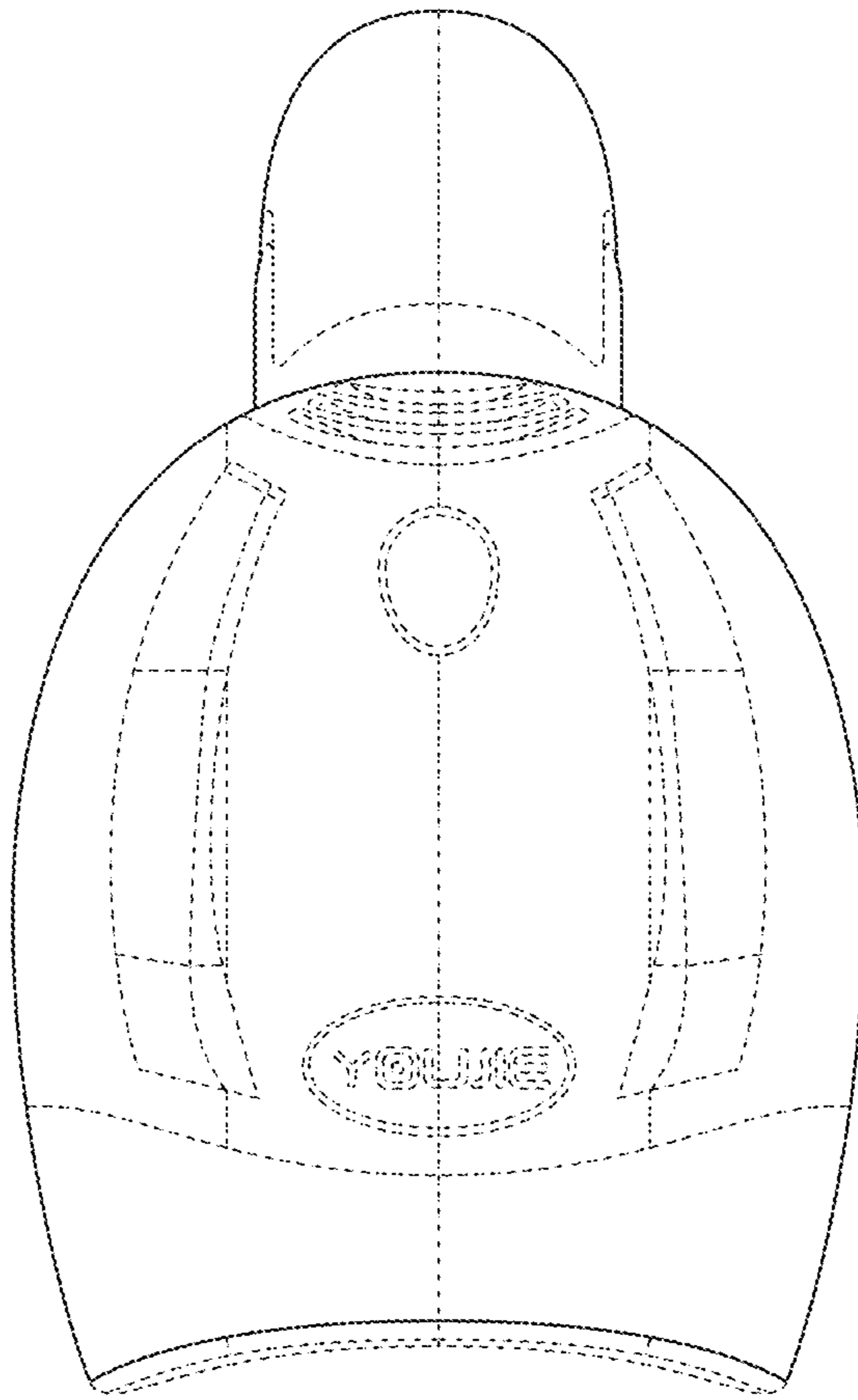


FIG. 6

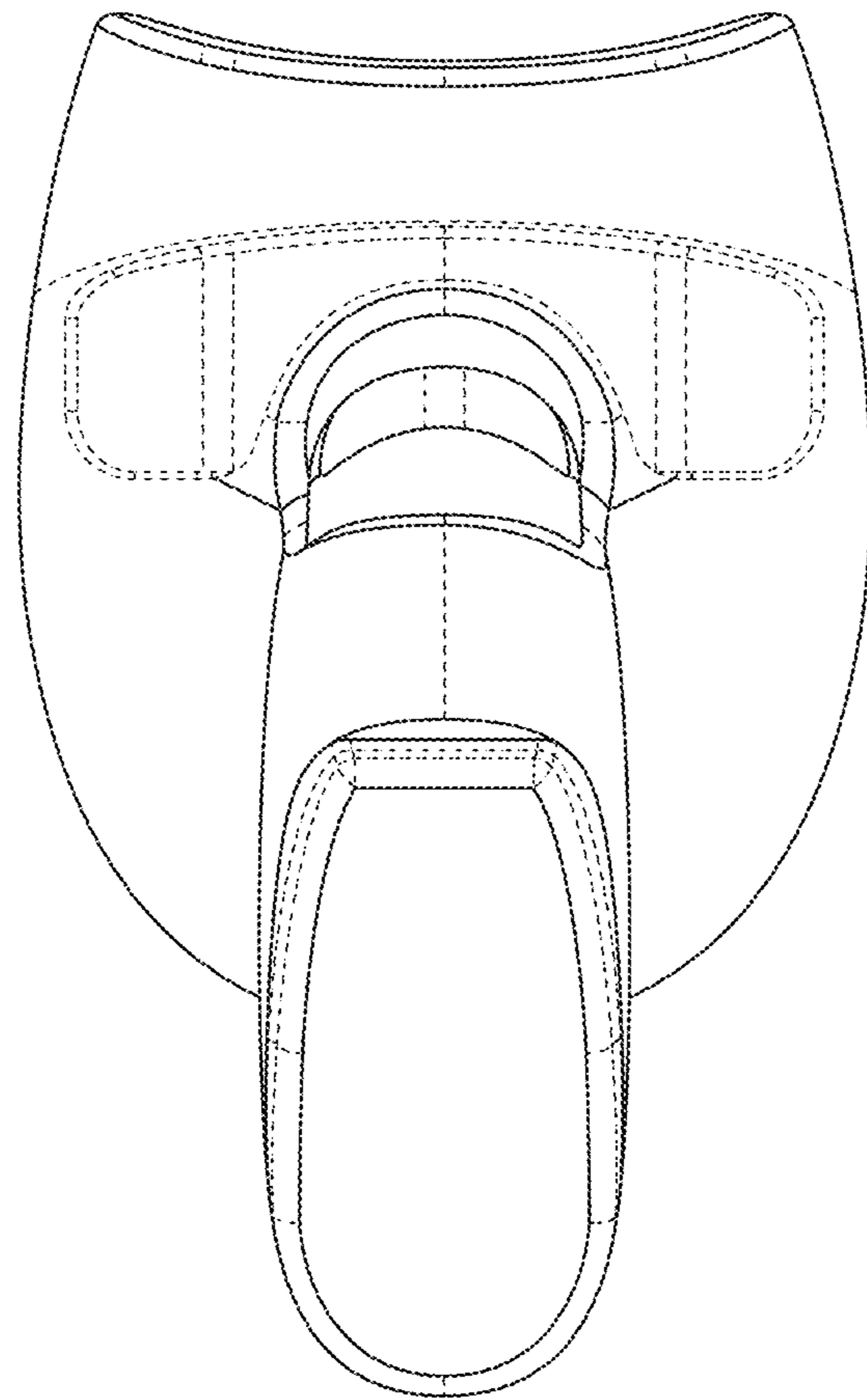


FIG. 7

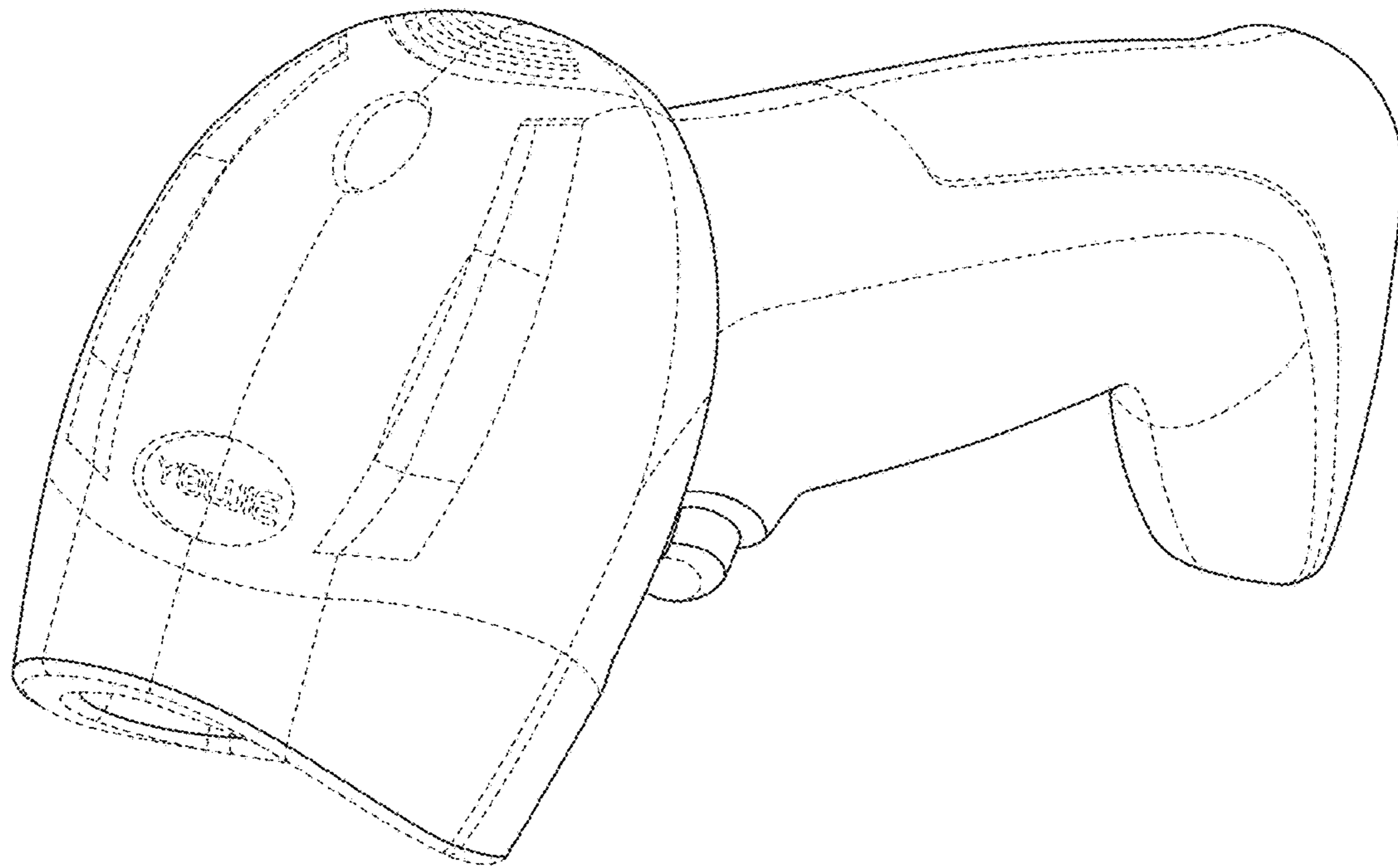


FIG. 8

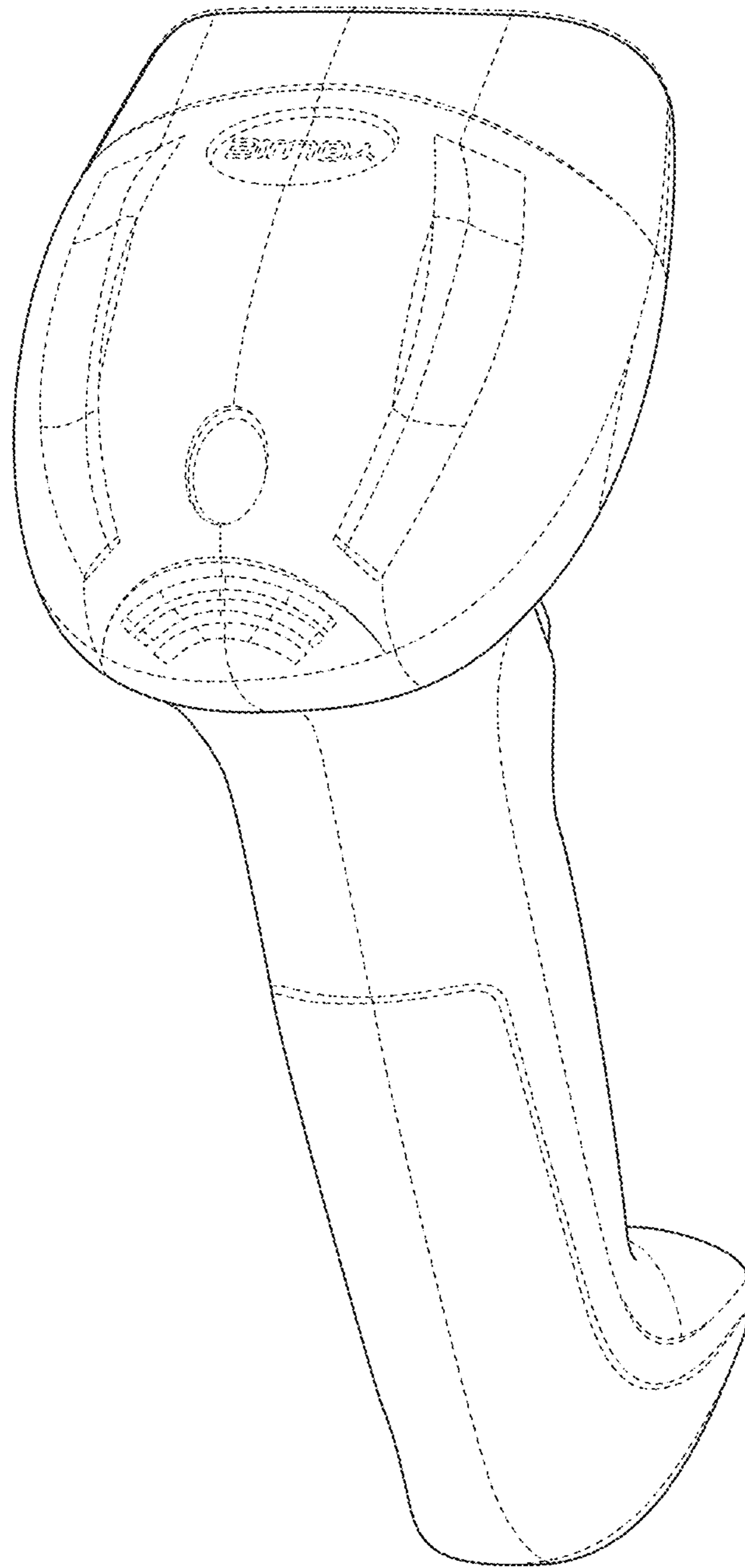


FIG. 9

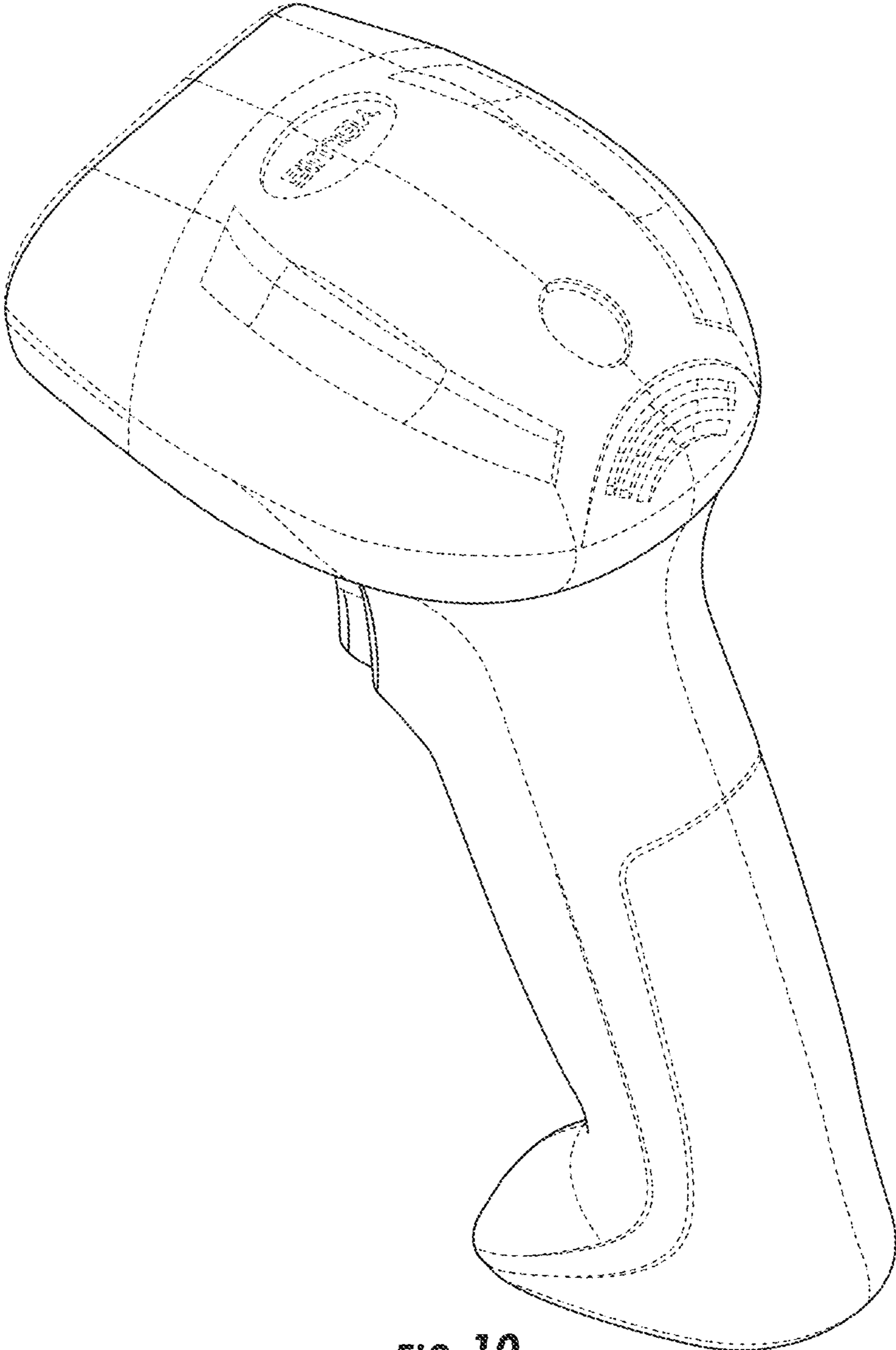


FIG. 10