



US00D826232S

(12) **United States Design Patent**
Waldman et al.

(10) **Patent No.:** **US D826,232 S**
(45) **Date of Patent:** **** Aug. 21, 2018**

(54) **GAME EMITTER**

(71) Applicant: **NSI INTERNATIONAL, INC.**, New York, NY (US)

(72) Inventors: **Brian K. Waldman**, New York, NY (US); **Frank J. Landi, Jr.**, New York, NY (US); **Chan Kok Wing Farra**, Kwai Chung (HK); **Chu Ki Kwan**, Kwai Chung (HK)

(73) Assignee: **NSI INTERNATIONAL, INC.**, New York, NY (US)

(**) Term: **15 Years**

(21) Appl. No.: **29/593,788**

(22) Filed: **Feb. 13, 2017**

(51) **LOC (11) Cl.** **21-01**

(52) **U.S. Cl.**
USPC **D14/418; D21/574**

(58) **Field of Classification Search**
USPC D14/218, 432, 356, 358, 440, 400, 401, D14/418, 572-574; D21/332, 333, 324, D21/328; 273/148 B; 463/1, 29-47, 463/49-51; D3/218, 301; 361/807-810; 248/689, 690, 309.1, 314, 346.01, 346.03, 248/346.06, 346.04; 206/320, 305; 434/18-24; 446/473
CPC A63F 9/02; A63F 9/24; A63F 13/00; A63F 13/04; A63H 5/04; F41J 5/02
See application file for complete search history.

(56) **References Cited**

U.S. PATENT DOCUMENTS

3,655,192 A * 4/1972 Hall F41A 33/02
200/34
4,175,747 A * 11/1979 Hudson F41A 33/00
273/358

4,811,955 A * 3/1989 De Bernardini F41A 19/16
124/32
5,004,444 A * 4/1991 Chih A63H 5/04
446/406
5,253,068 A * 10/1993 Crook H03J 1/0025
340/12.22
5,569,085 A * 10/1996 Igarashi A63F 9/0291
434/18
D385,586 S * 10/1997 Hanatani D14/418
D521,568 S * 5/2006 Hussaini D14/418
D541,806 S * 5/2007 Wada D14/418
D614,624 S * 4/2010 Zhang D14/418
D618,687 S * 6/2010 Ito D14/418
D754,258 S * 4/2016 Sakai D14/418
D754,796 S * 4/2016 Sakai D14/418

* cited by examiner

Primary Examiner — Keli L Hill

(74) *Attorney, Agent, or Firm* — Andrew F. Young, Esq.;
Lackebach Siegel, LLP

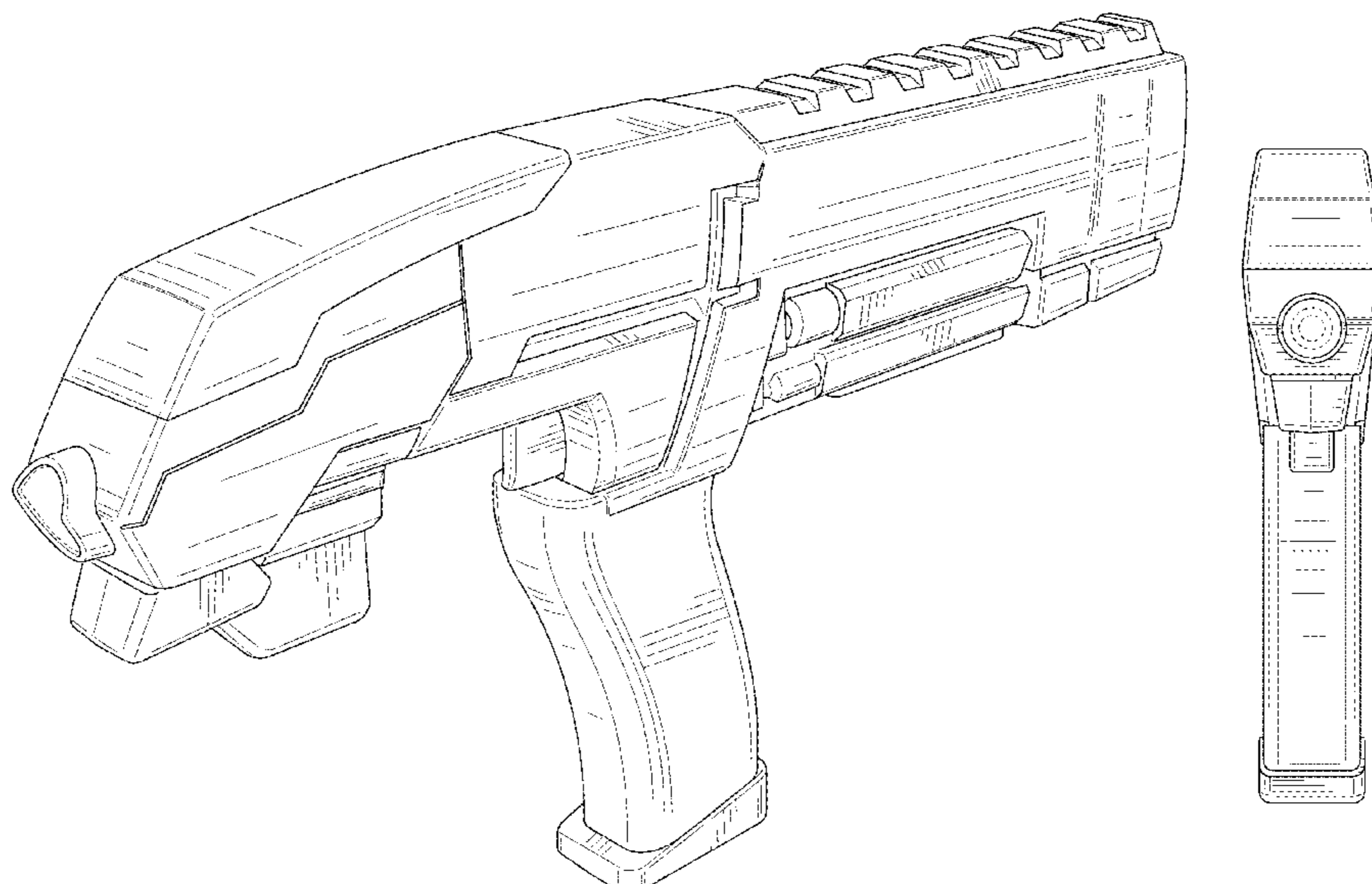
(57) **CLAIM**

The ornamental design for a game emitter, as shown and described.

DESCRIPTION

FIG. 1 is a front perspective view of the present invention. FIG. 2 is a rear perspective view thereof. FIG. 3 is a left side elevation view thereof. FIG. 4 is a right side elevation view thereof. FIG. 5 is a rear elevation view thereof. FIG. 6 is a front elevation view thereof. FIG. 7 is a top plan view thereof; and, FIG. 8 is a bottom plan view thereof. The broken lines shown are included for the purpose of illustrating portions of the game emitter that form no part of the claim.

1 Claim, 6 Drawing Sheets



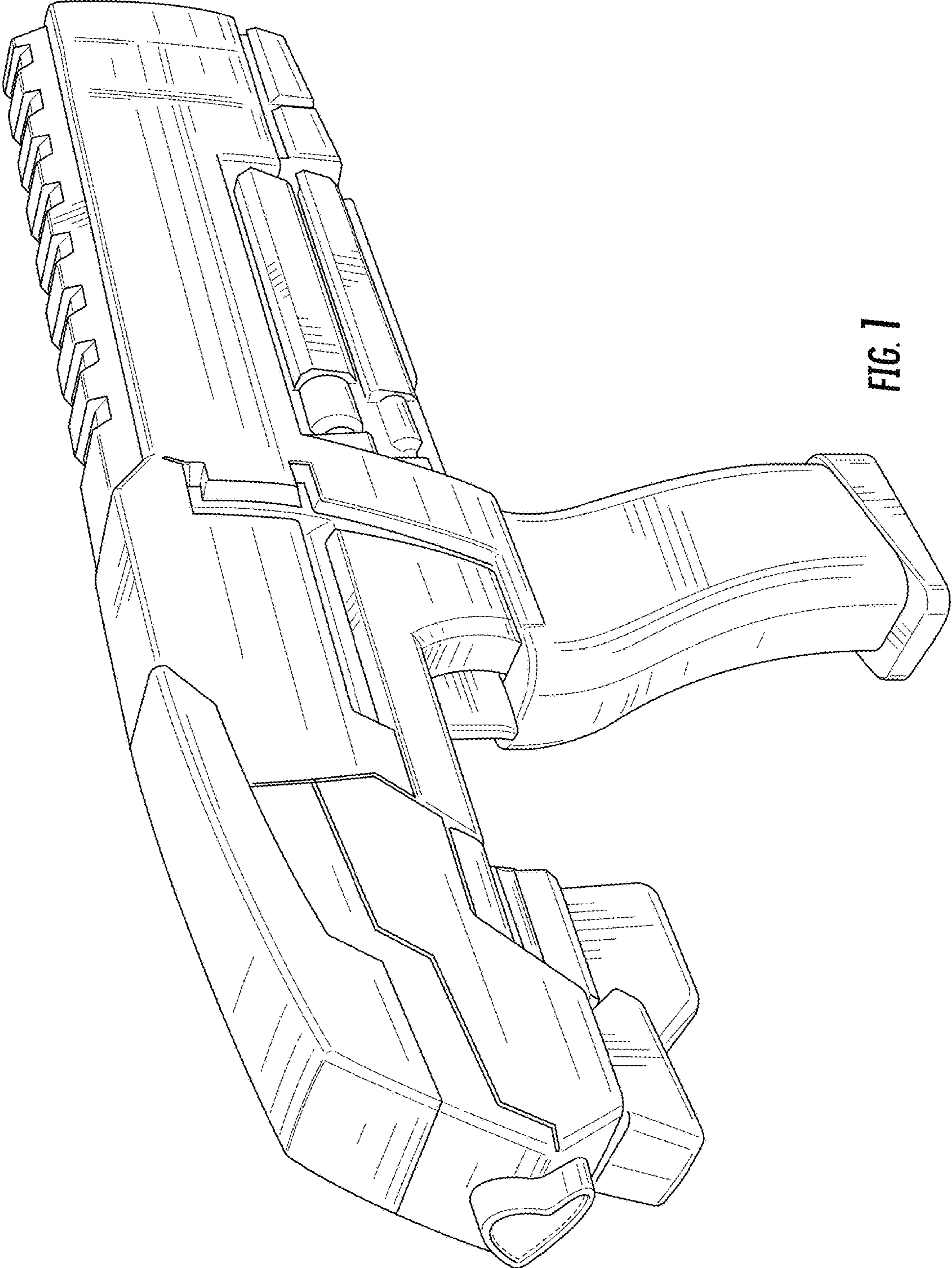


FIG. 1

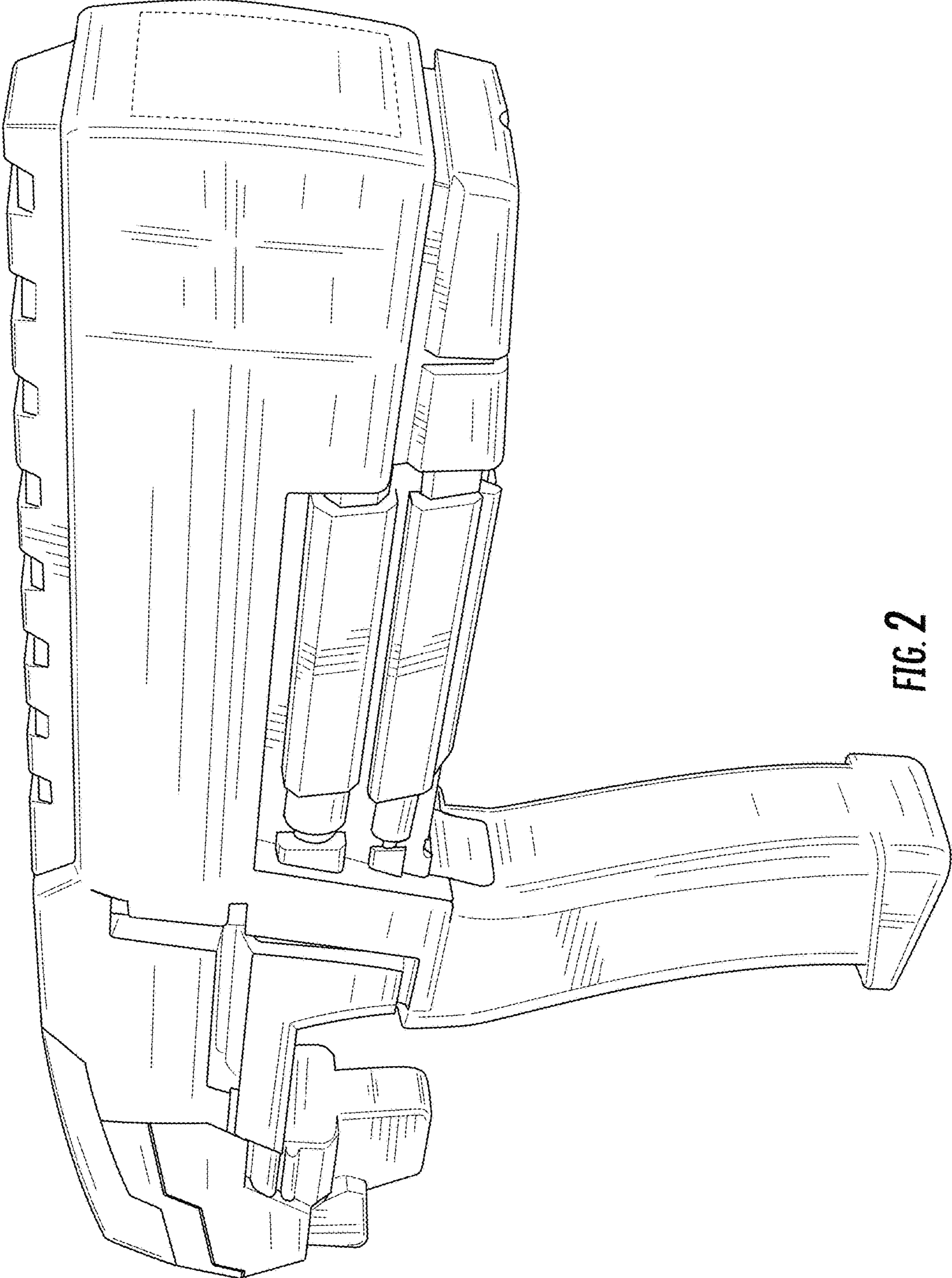


FIG. 2

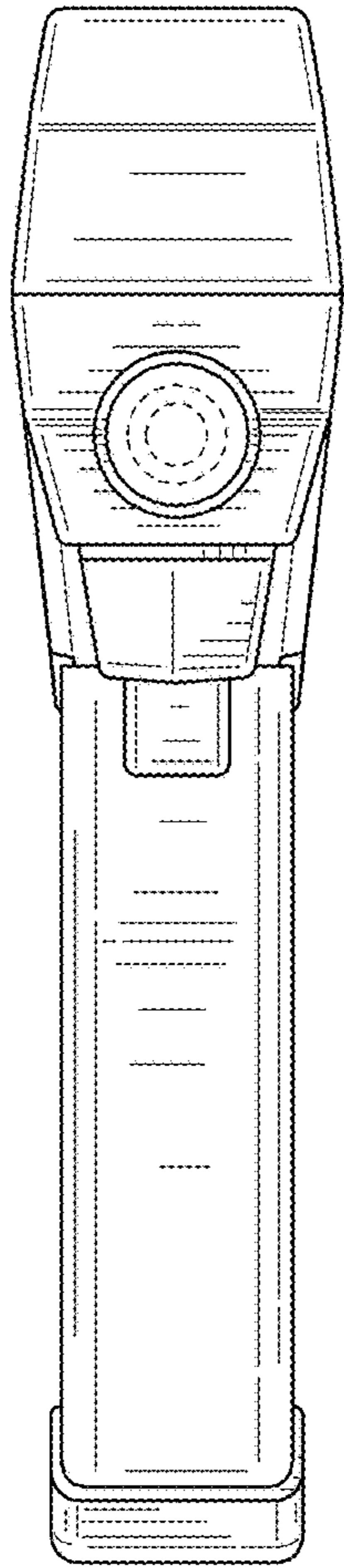


FIG. 3

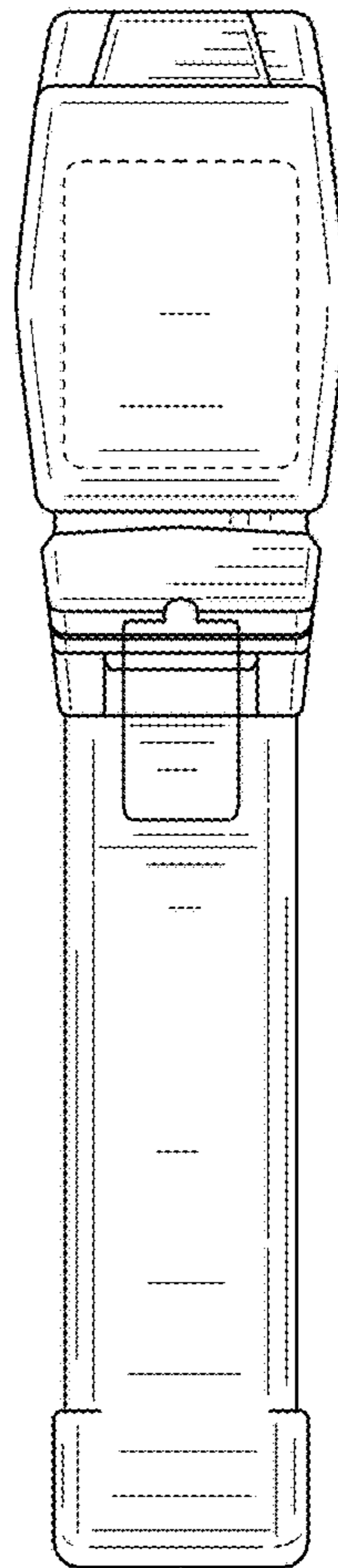


FIG. 4

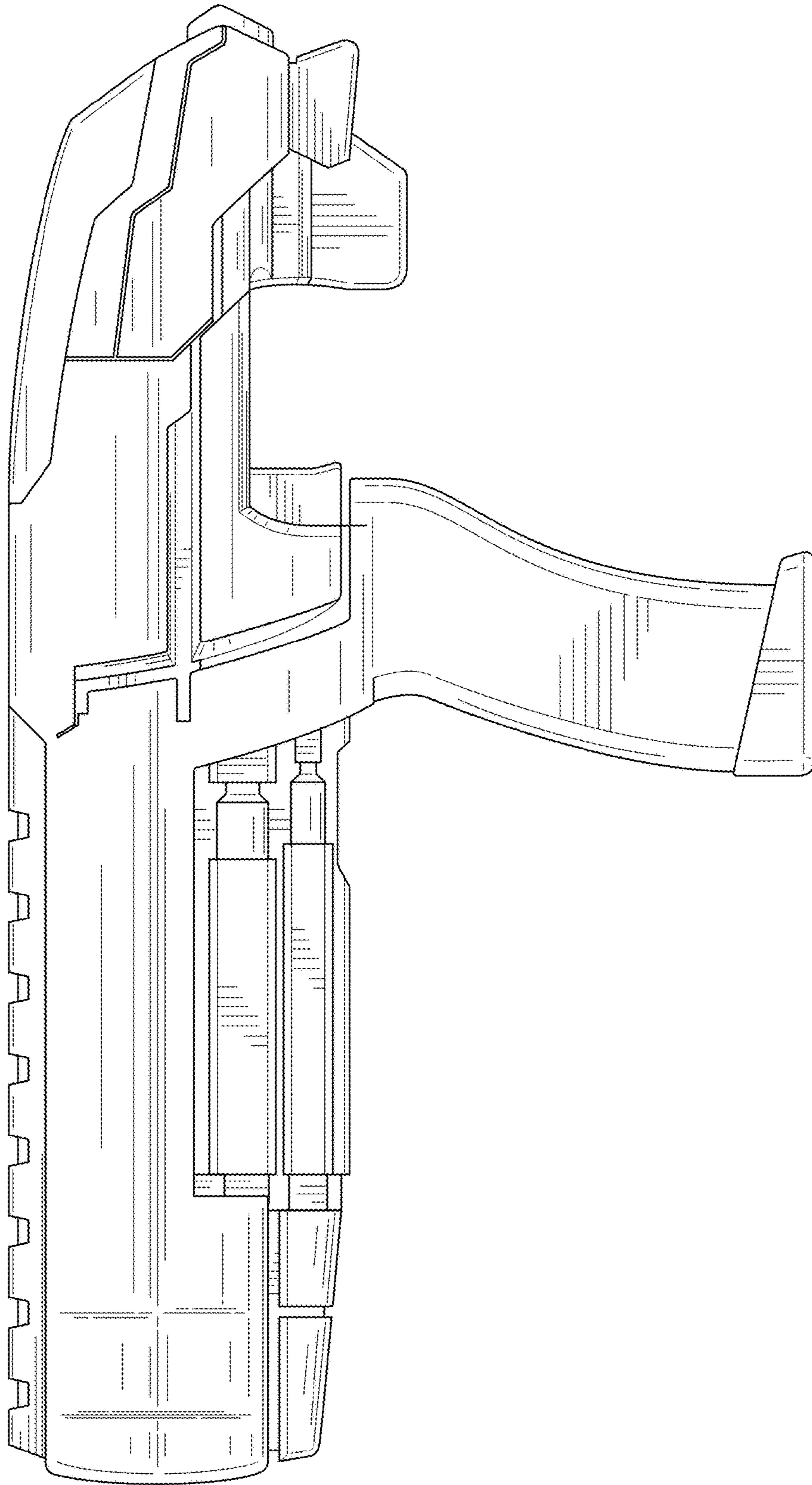


FIG. 5

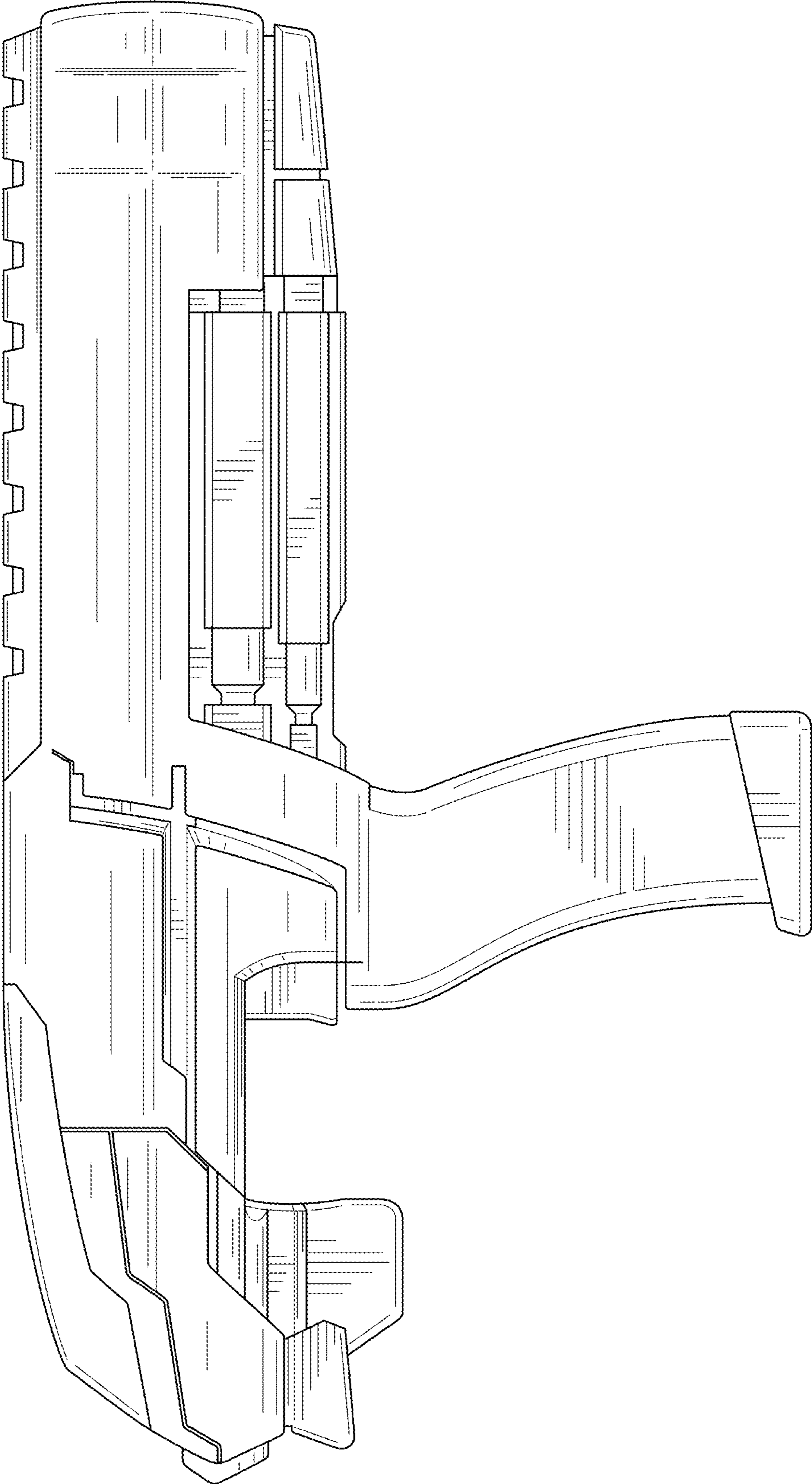


FIG. 6

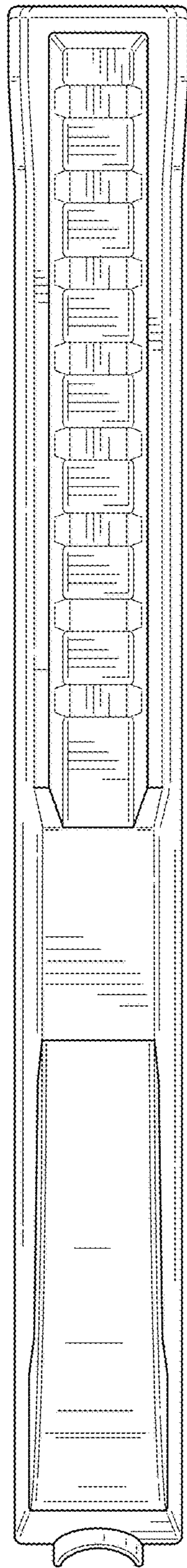


FIG. 7

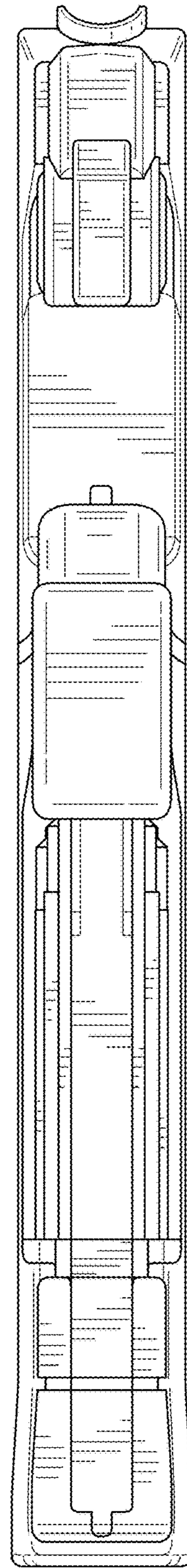


FIG. 8