



US00D826230S

(12) **United States Design Patent**
Peterson et al.

(10) **Patent No.:** **US D826,230 S**
(45) **Date of Patent:** **** Aug. 21, 2018**

(54) **STYLUS KIT**

(71) Applicant: **Microsoft Corporation**, Redmond, WA (US)

(72) Inventors: **Benjamin Peterson**, Seattle, WA (US);
Anthony Reed, Bellevue, WA (US)

(73) Assignee: **Microsoft Corporation**, Redmond, WA (US)

(**) Term: **15 Years**

(21) Appl. No.: **29/605,942**

(22) Filed: **May 31, 2017**

(51) **LOC (11) Cl.** **14-02**

(52) **U.S. Cl.**
USPC **D14/411**

(58) **Field of Classification Search**
USPC D14/372, 496, 432, 371, 125, 126, 129,
D14/299, 411; D16/300-342; 351/158,
351/153, 144; 345/7-9, 905; 455/344;
348/115, 53, 121, 739
CPC G02B 27/017; G06F 3/016; G06F 3/033;
G06F 3/0317; G06F 3/03545; G06F
3/041; G06K 9/222

See application file for complete search history.

(56) **References Cited**

U.S. PATENT DOCUMENTS

D669,897 S	10/2012	Nakata
D684,578 S	6/2013	Son
D694,238 S	11/2013	Du
D694,756 S	12/2013	Nakata
D708,617 S	7/2014	Nakata
D712,479 S	9/2014	Fleming
D717,301 S	11/2014	Groene et al.

(Continued)

Primary Examiner — Austin Murphy

(74) *Attorney, Agent, or Firm* — Banner & Witcoff, Ltd.

(57) **CLAIM**

The ornamental design for a stylus kit, as shown and described.

DESCRIPTION

FIG. 1 is a front perspective view of a stylus kit showing our new design;

FIG. 2 is a top view thereof;

FIG. 3 is a bottom view thereof;

FIG. 4 is a right side view thereof;

FIG. 5 is a left side view thereof;

FIG. 6 is a front view thereof;

FIG. 7 is a rear view thereof;

FIG. 8 is the front perspective view of FIG. 1 disclosing encircled portions thereof;

FIG. 9 is the front view of FIG. 6 disclosing encircled portions thereof;

FIG. 10 is the rear view of FIG. 7 disclosing encircled portions thereof;

FIG. 11 is an enlarged view of an encircled portion in FIG. 8;

FIG. 12 is an enlarged view of an encircled portion in FIG. 8;

FIG. 13 is an enlarged view of an encircled portion in FIG. 8;

FIG. 14 is an enlarged view of an encircled portion in FIG. 9;

FIG. 15 is an enlarged view of an encircled portion in FIG. 9;

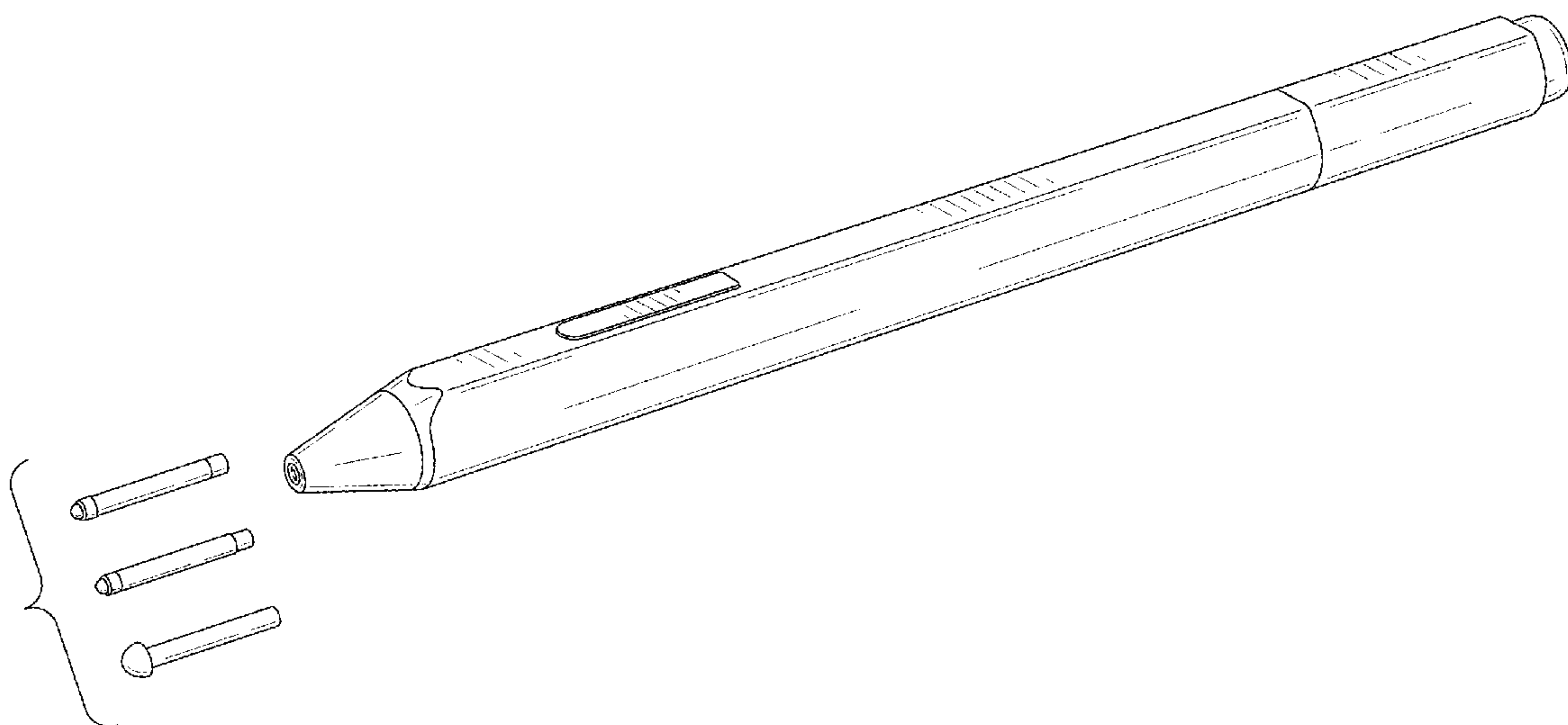
FIG. 16 is an enlarged view of an encircled portion in FIG. 10; and,

FIG. 17 is an enlarged view of an encircled portion in FIG. 10.

The even-length broken line showing of the various unshaded elements of the stylus kit in FIGS. 1, 6, 8 and 9 illustrates environmental structure and forms no part of the claimed design.

The uneven-length broken line showing of the encircled portions in FIGS. 9-17 form no part of the claimed design.

1 Claim, 12 Drawing Sheets



(56)

References Cited

U.S. PATENT DOCUMENTS

D717,798	S	11/2014	Groene et al.	
D724,086	S *	3/2015	Schoenert	D14/411
D725,112	S	3/2015	Bo	
D744,486	S *	12/2015	Arai	D14/411
D752,050	S	3/2016	Zhang	
D754,661	S	4/2016	Nishizawa	
D768,133	S *	10/2016	Reed	D14/411
D770,454	S *	11/2016	Lee	D14/411
D772,230	S *	11/2016	Lee	D14/411
D772,876	S *	11/2016	Akana	D14/411
D773,462	S *	12/2016	Mitchell	D14/411
D781,293	S *	3/2017	Mitchell	D14/411
D784,991	S *	4/2017	Chang	D14/411
D788,109	S *	5/2017	Kuan-Her	D14/411
D797,741	S *	9/2017	Cebe	D14/411
D799,488	S *	10/2017	Nishizawa	D14/411
D811,401	S *	2/2018	Lehman	D14/411
D811,402	S *	2/2018	Nishizawa	D14/411
D812,059	S *	3/2018	Lehman	D14/411

* cited by examiner

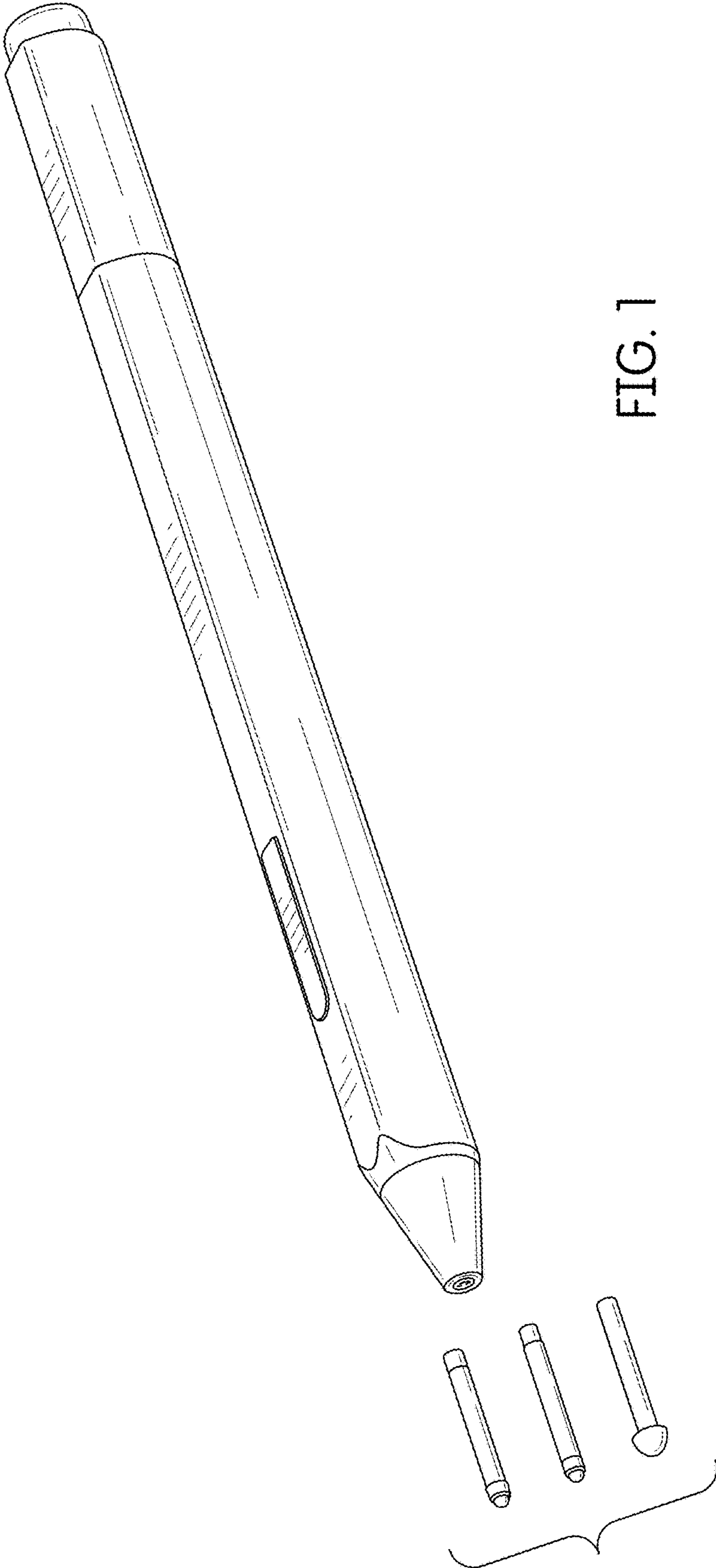


FIG. 1

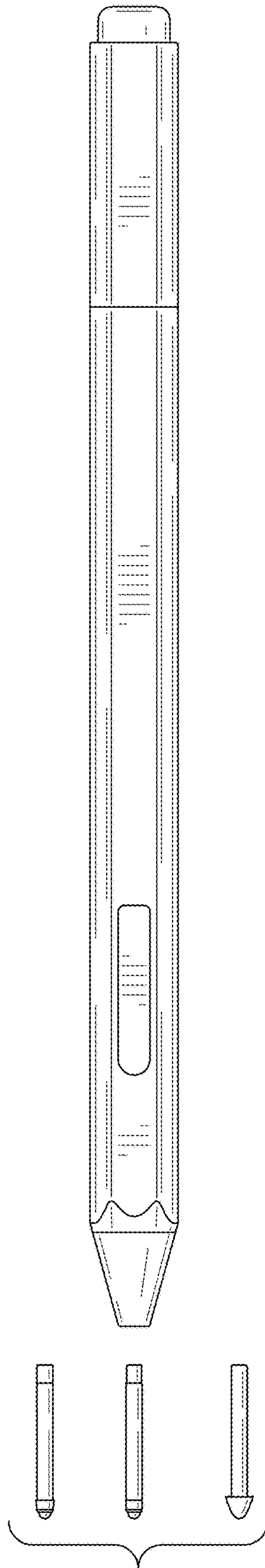


FIG. 2

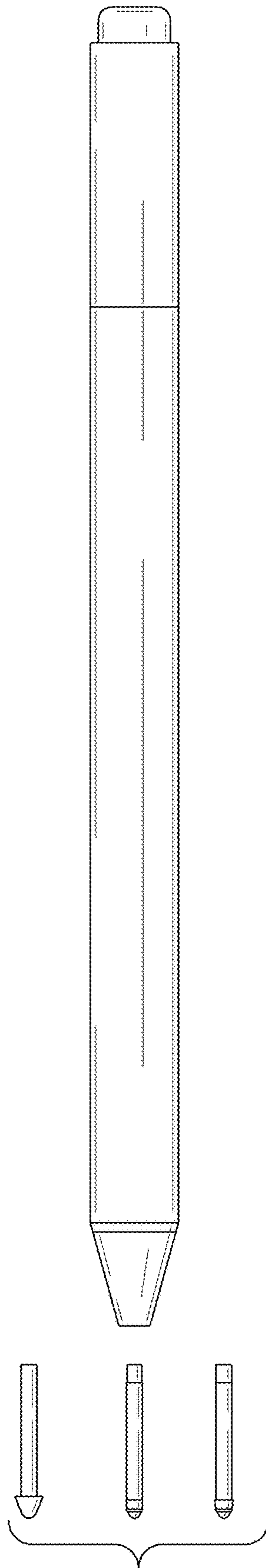
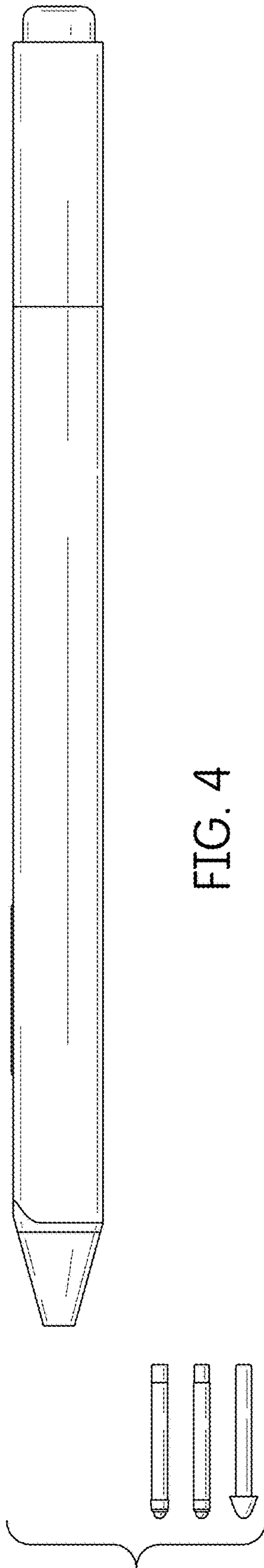


FIG. 3



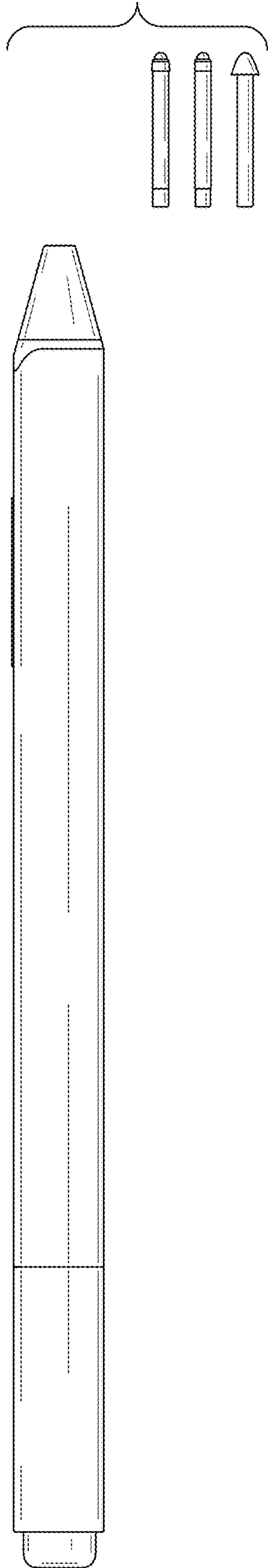


FIG. 5

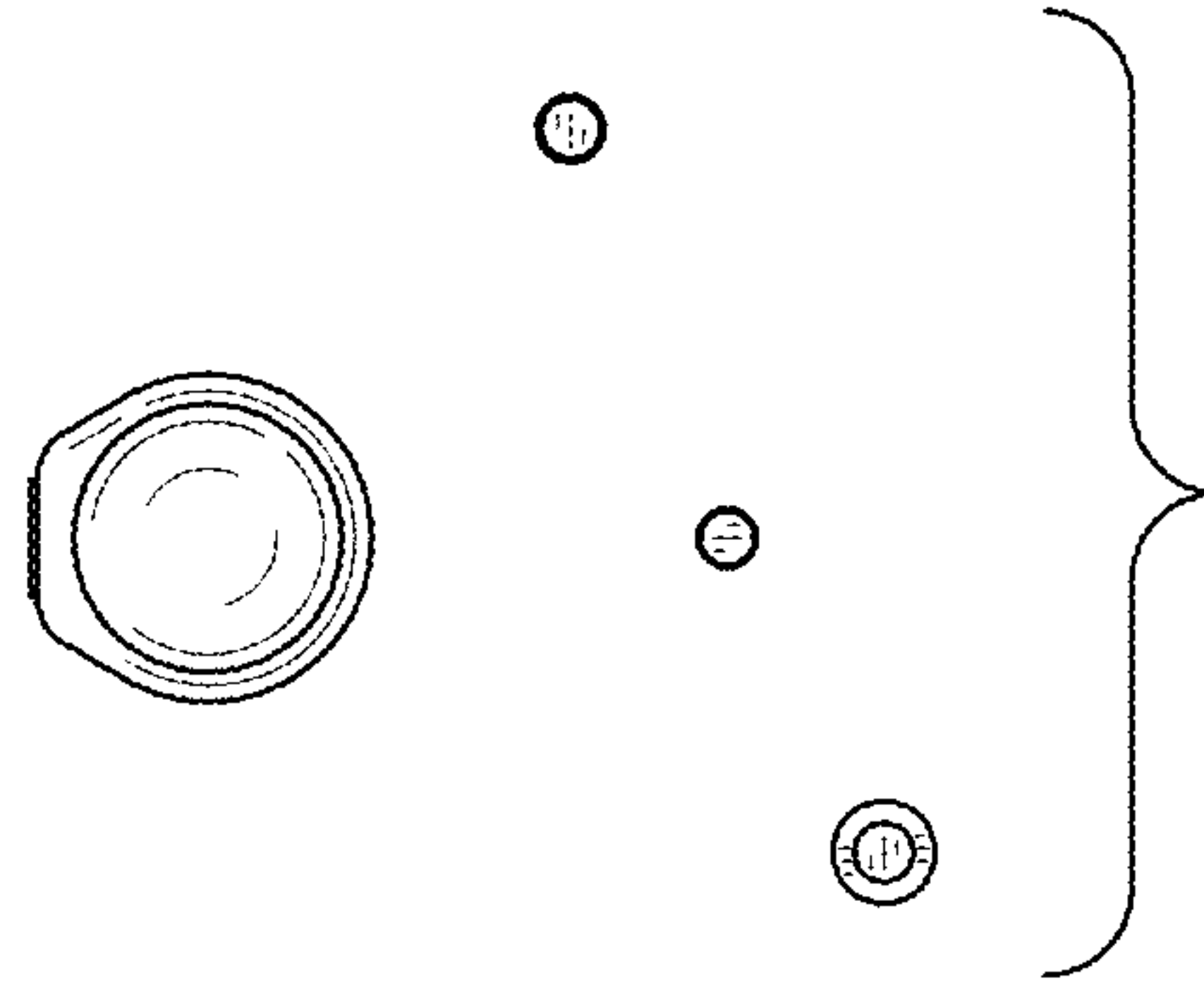


FIG. 7

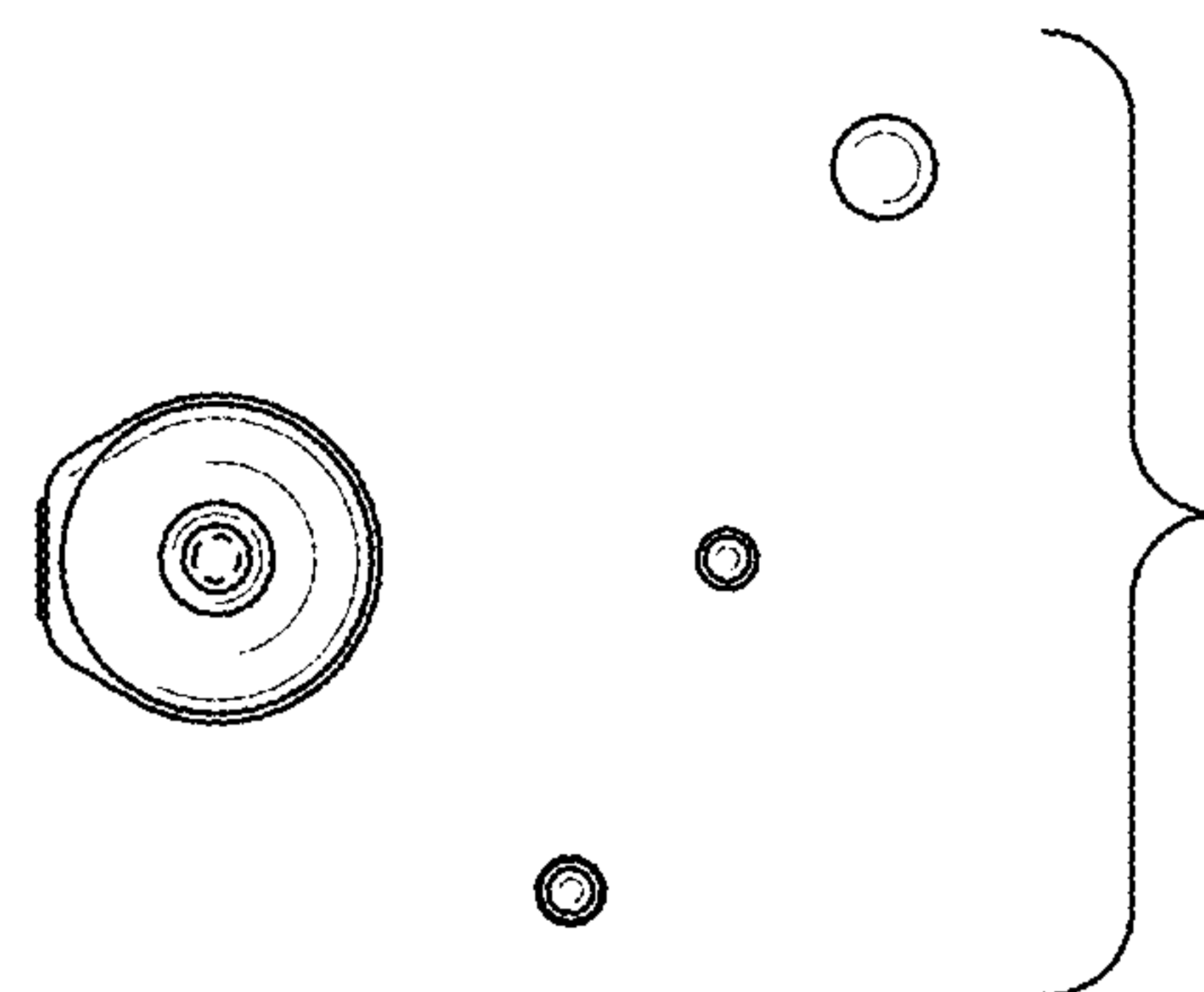


FIG. 6

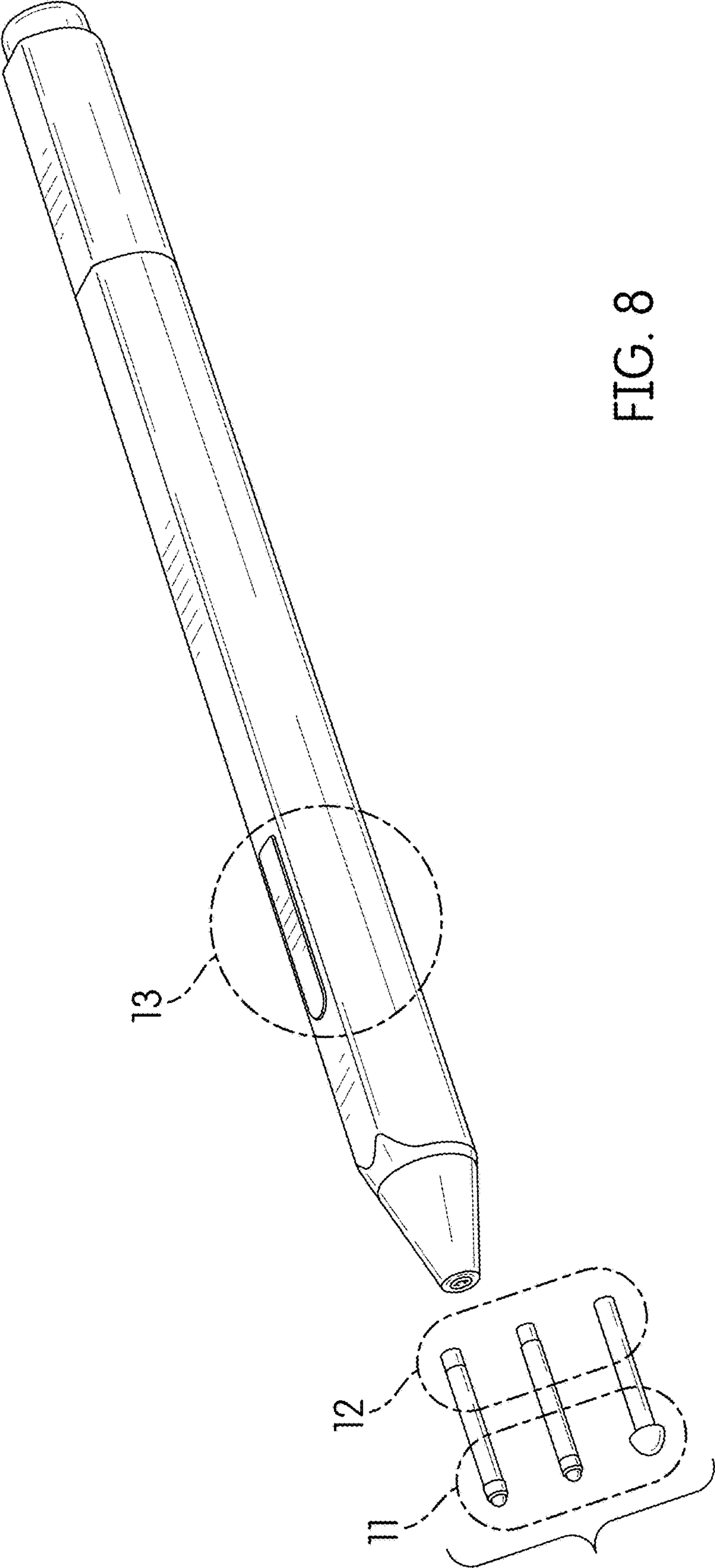


FIG. 8

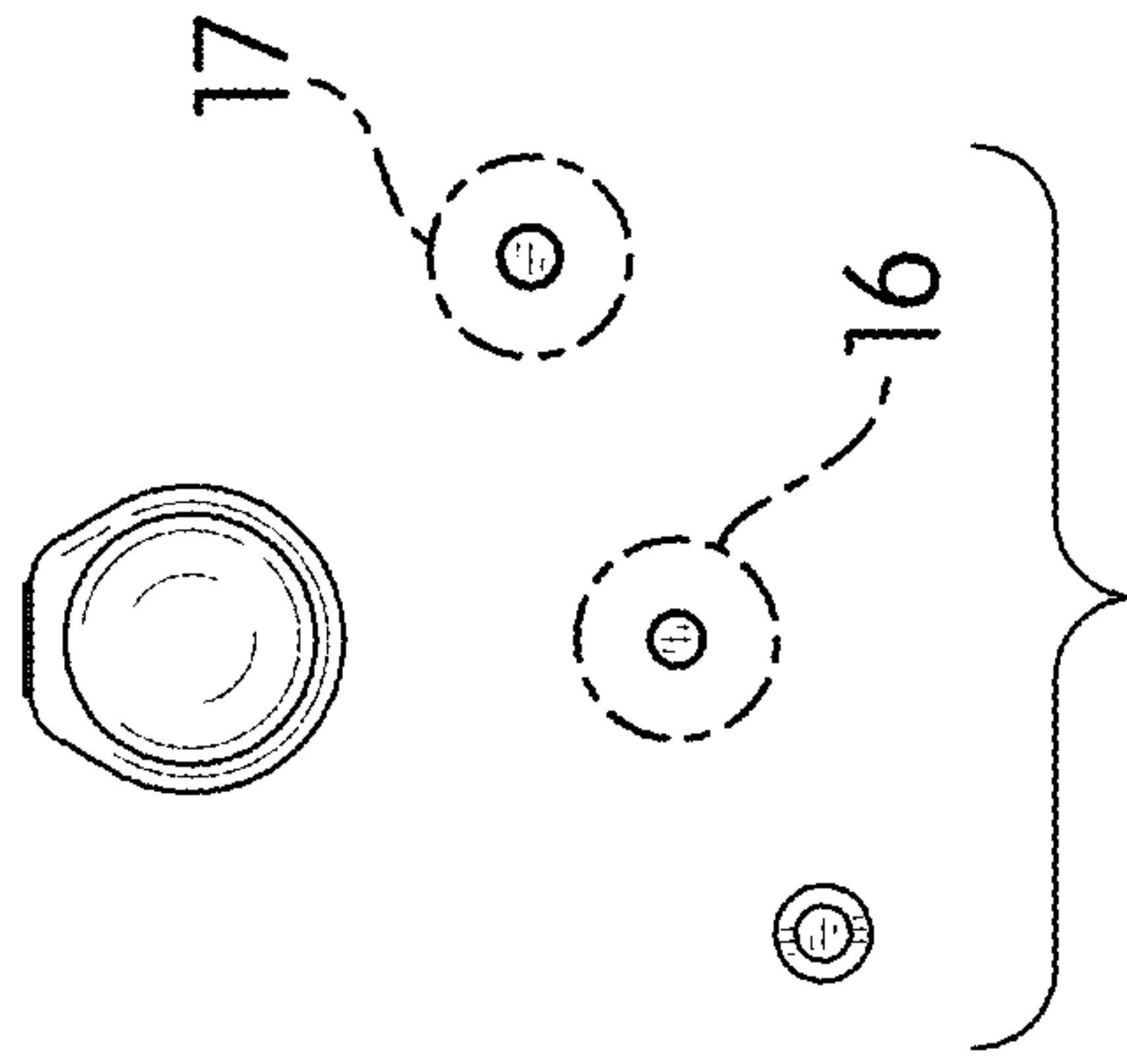


FIG. 10

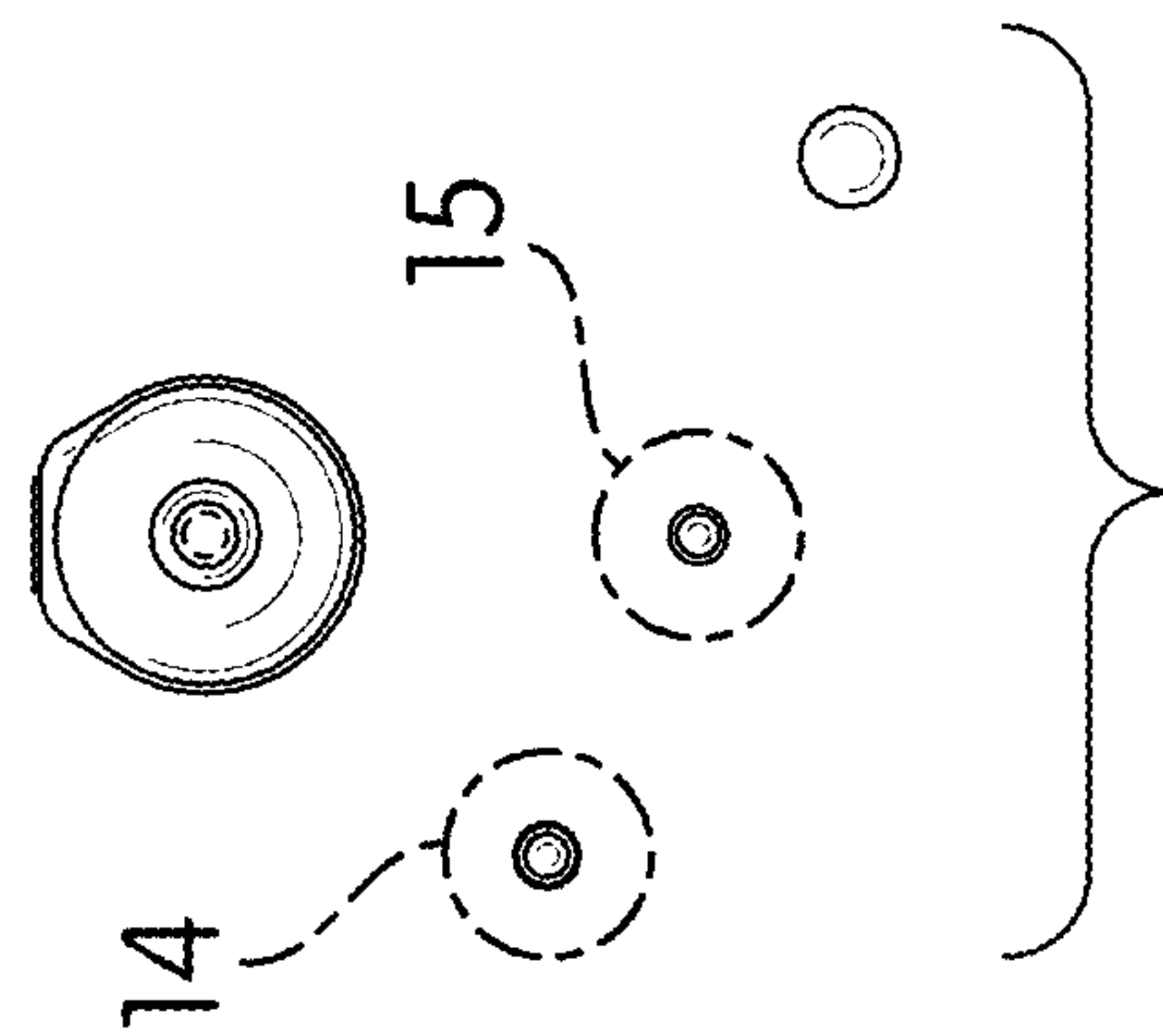


FIG. 9

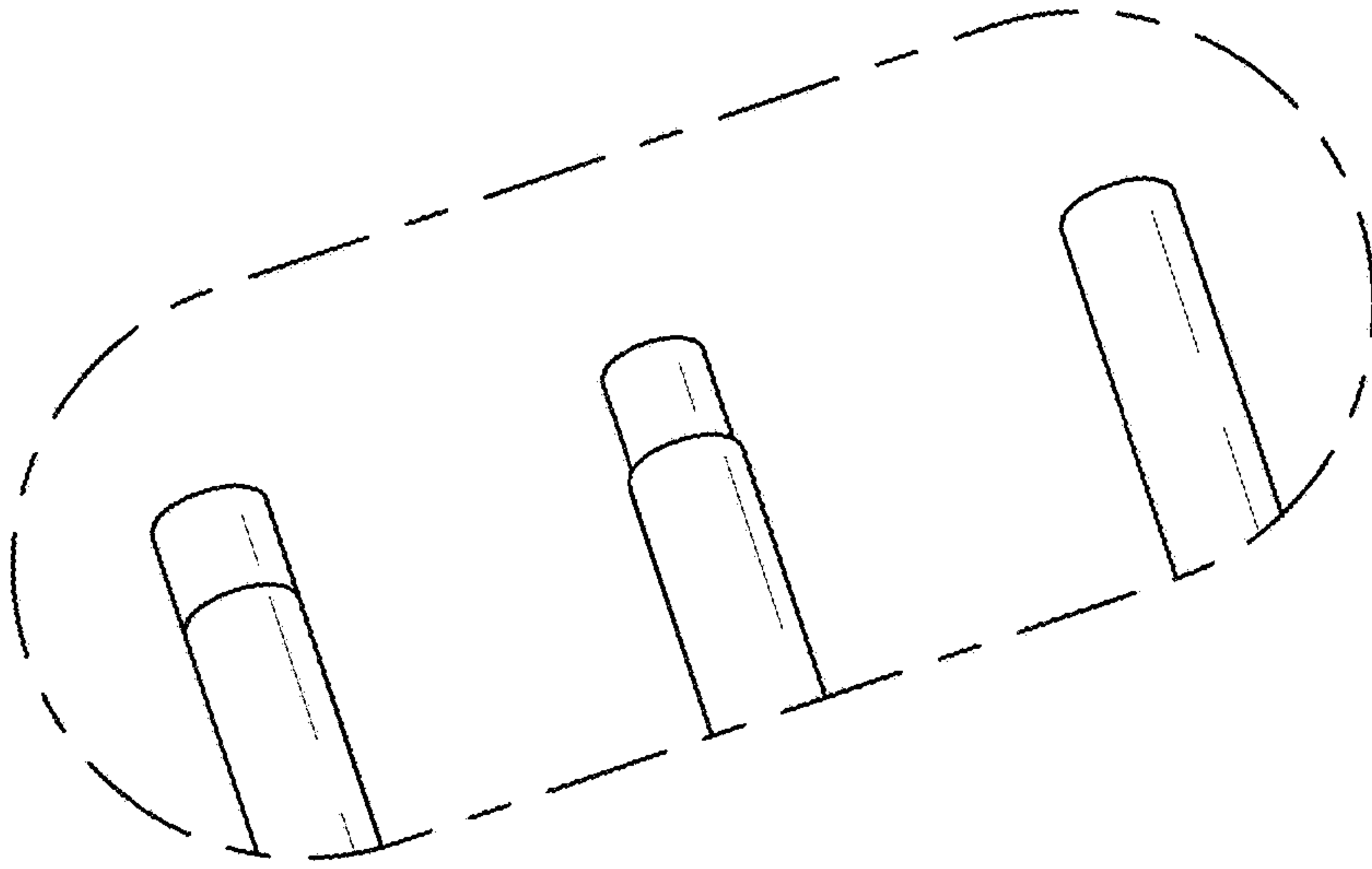


FIG. 12

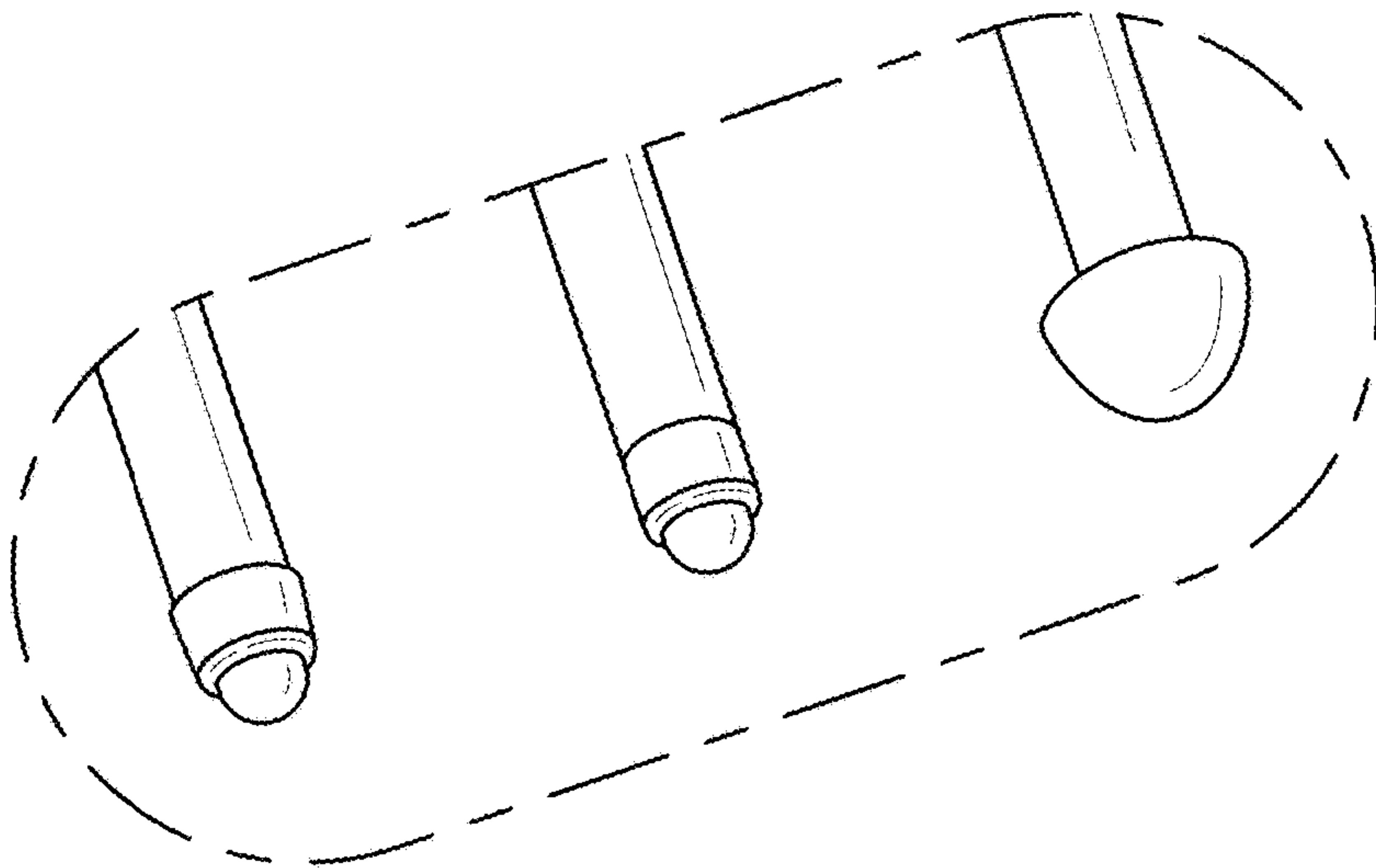


FIG. 11

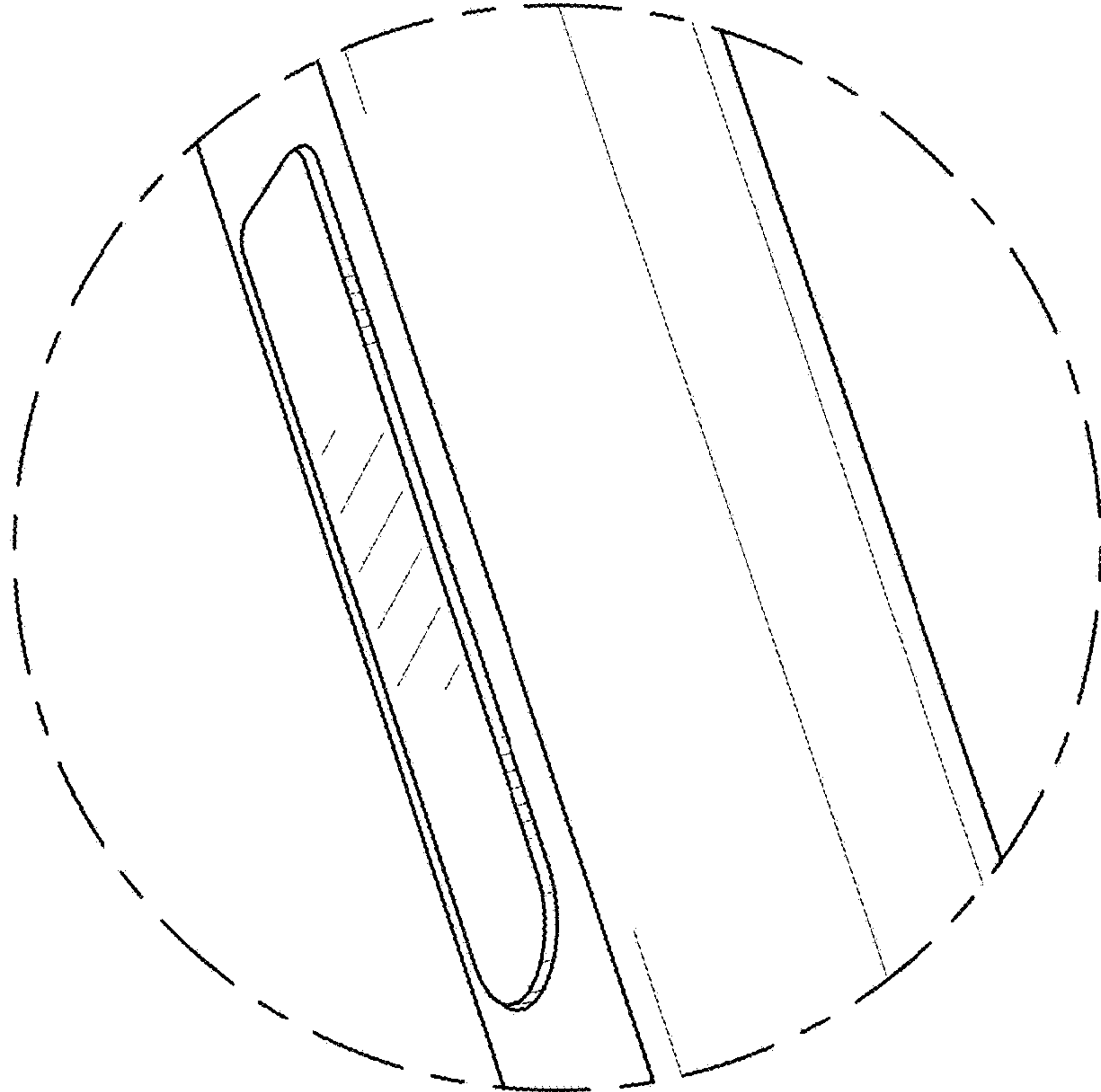


FIG. 13

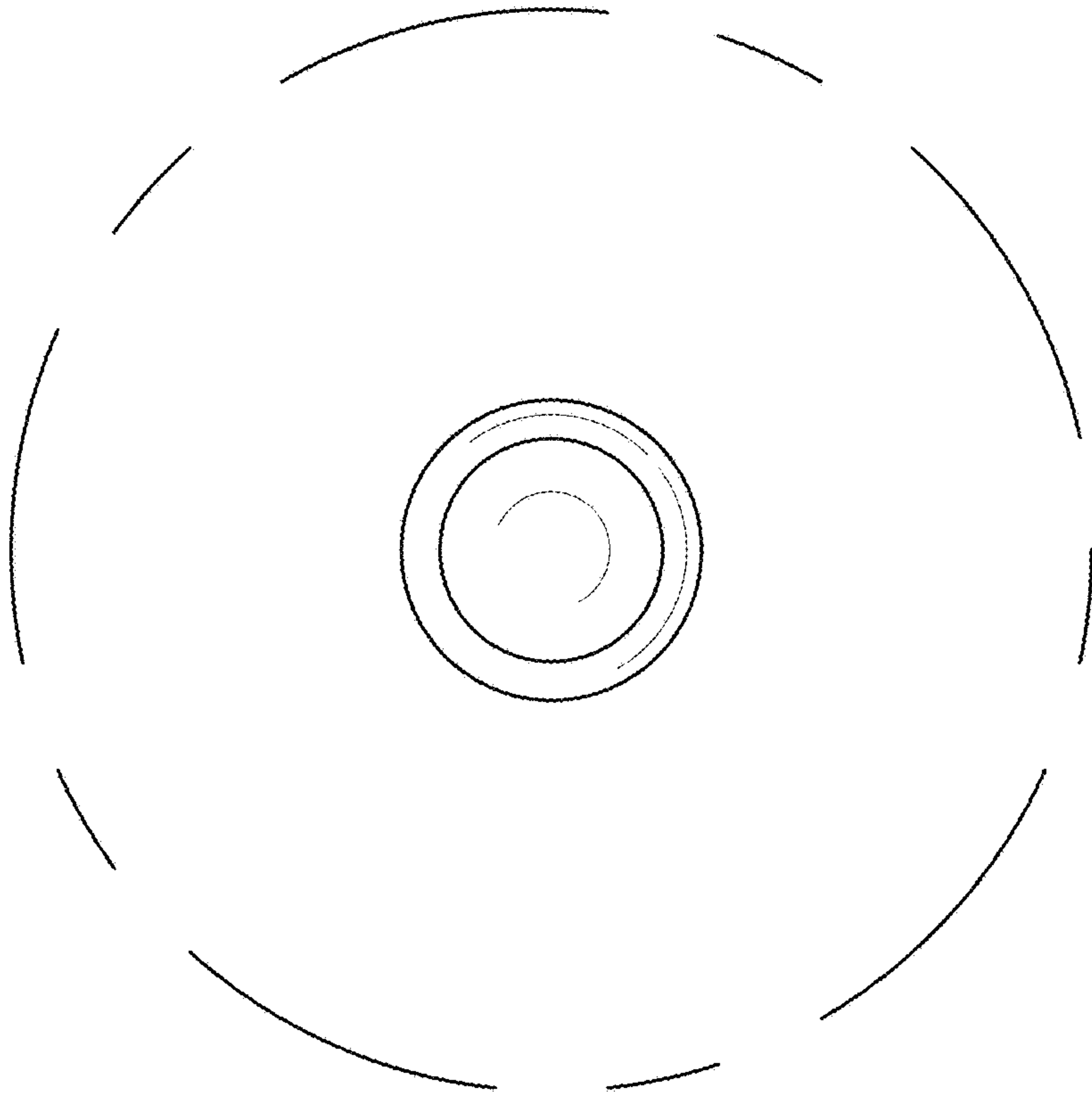


FIG. 15

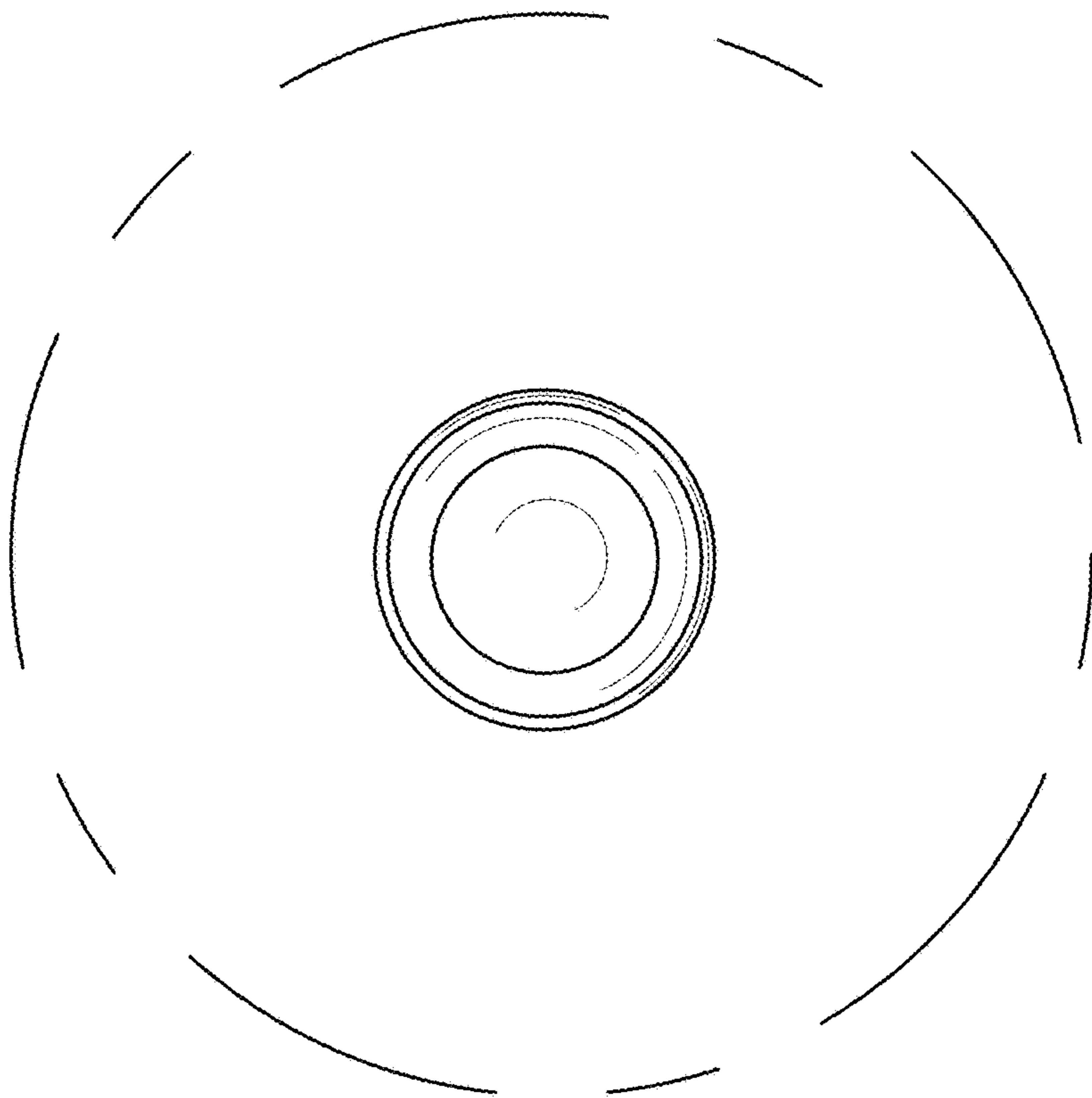


FIG. 14

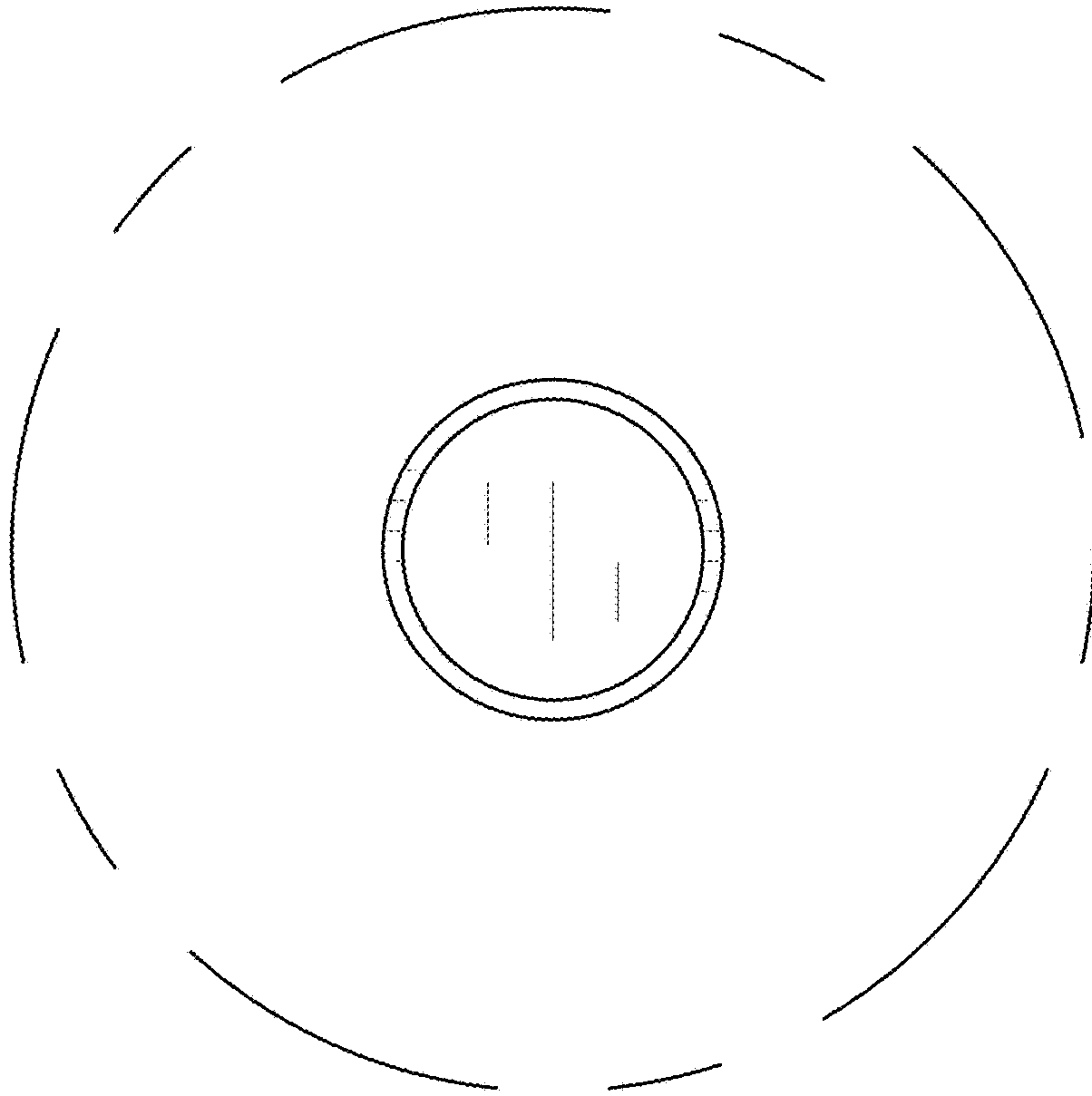


FIG. 17

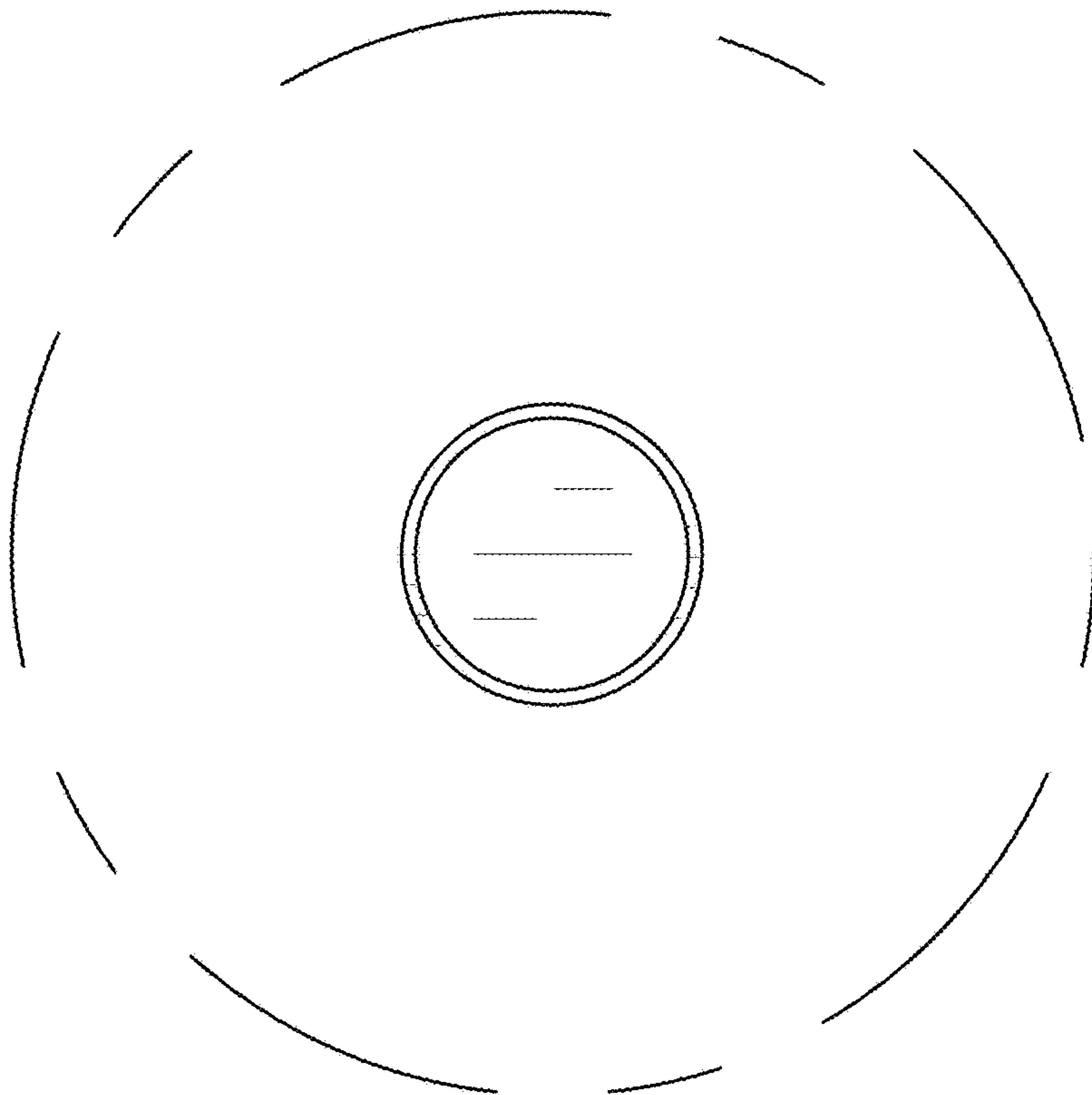


FIG. 16