



US00D826229S

(12) **United States Design Patent**
Teo et al.

(10) **Patent No.:** **US D826,229 S**

(45) **Date of Patent:** **** Aug. 21, 2018**

(54) **DISPLAY**

- (71) Applicant: **Dell Products L.P.**, Round Rock, TX (US)
- (72) Inventors: **Erene Teo**, Singapore (SG); **Chun Long Goh**, Singapore (SG); **Tung Chen Wu**, Singapore (SG); **Toshiyuki Tanaka**, Mendham, NJ (US); **Joshua Y. Probst**, Austin, TX (US); **Khang Chian Yong**, Singapore (SG)
- (73) Assignee: **Dell Products, L.P.**, Round Rock, TX (US)

(**) Term: **15 Years**

(21) Appl. No.: **29/611,003**

(22) Filed: **Jul. 18, 2017**

(51) **LOC (11) Cl.** **14-02**

(52) **U.S. Cl.**

USPC **D14/374**

(58) **Field of Classification Search**

USPC D14/371-375, 125-129, 336, 337;
D6/300, 308; D19/113, 114; D20/10

CPC G09F 15/0025; G09F 15/0062; G09F 15/0068; G06F 1/16; G06F 1/1613; G06F 1/133308; G06F 1/1601; G06F 3/037; G06F 1/162; F16M 11/02; F16M 11/10; F16M 11/00; F16M 11/06; F16M 11/18; F16M 11/045; F16M 11/105; F16M 11/041; F16M 11/126; F16M 11/04; F16M 11/24; F16M 13/02; A47F 5/00

See application file for complete search history.

(56) **References Cited**

U.S. PATENT DOCUMENTS

D682,227 S *	5/2013	Lee	D14/126
D692,844 S *	11/2013	Seong	D14/126
D718,263 S *	11/2014	Kim	D14/126
D726,667 S *	4/2015	Kim	D14/126
D763,213 S *	8/2016	Ann	D14/126
D774,012 S *	12/2016	Lee	D14/126

* cited by examiner

Primary Examiner — Freda S Nunn

(74) *Attorney, Agent, or Firm* — Zagorin Cave LLP;
Robert Holland

(57) **CLAIM**

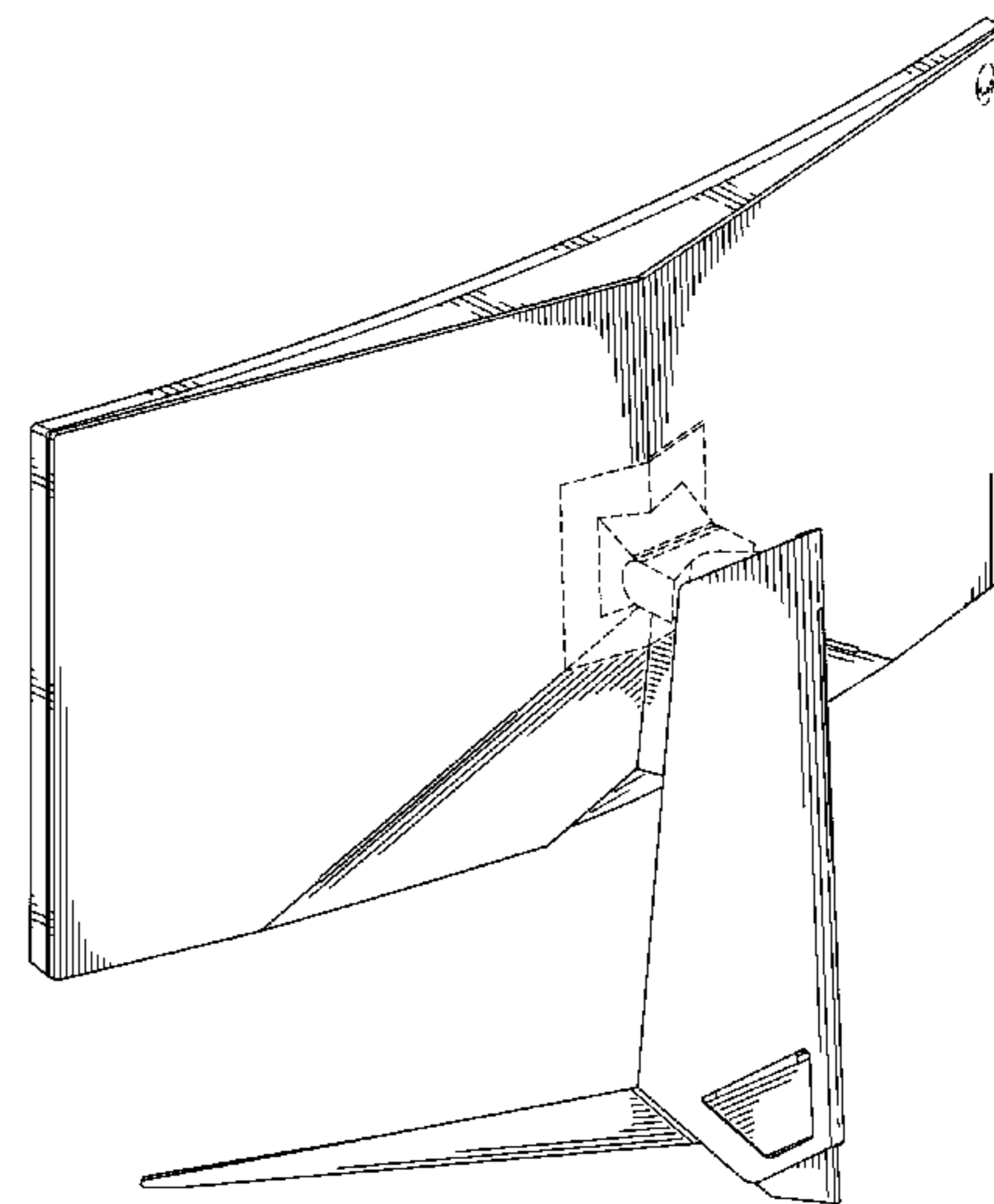
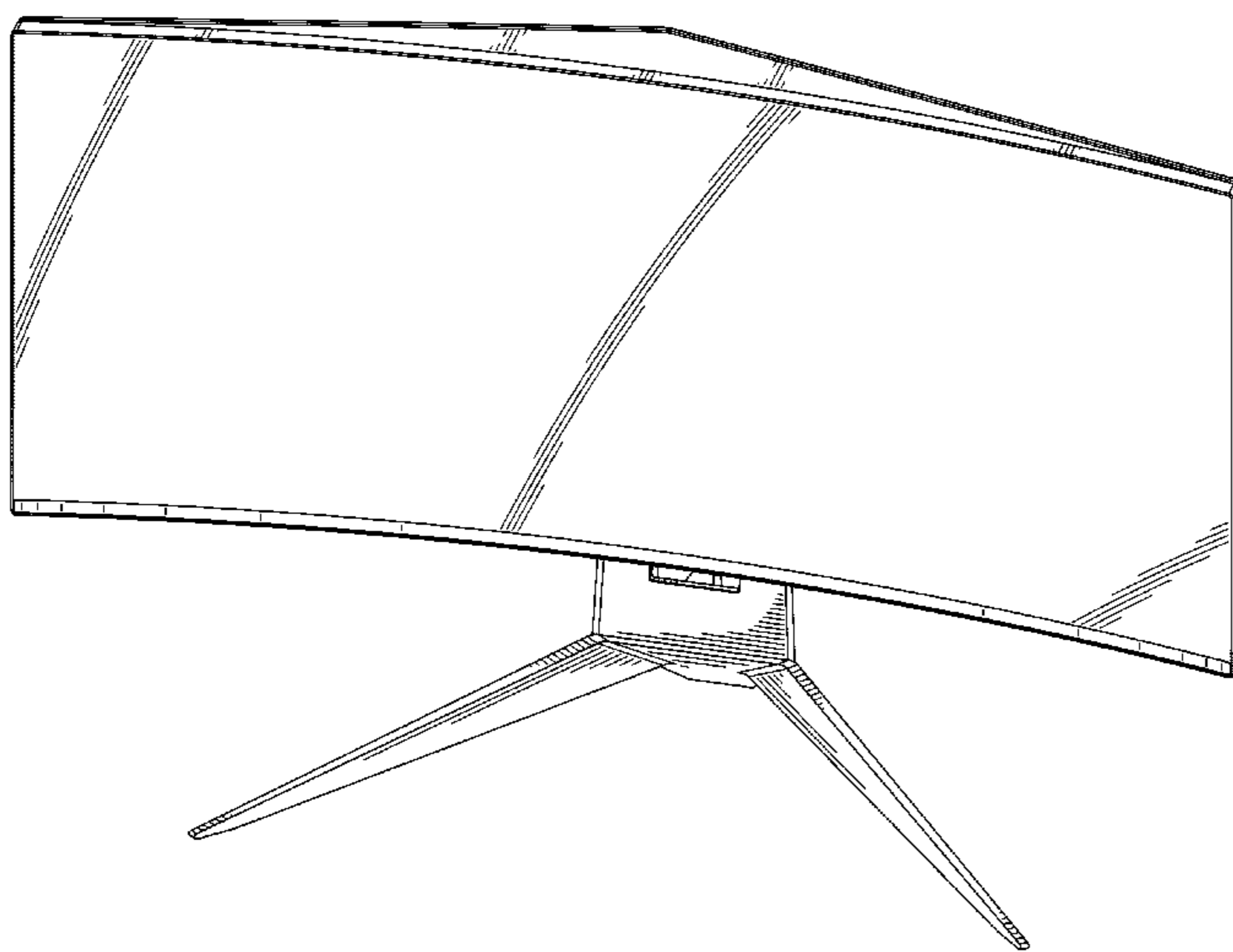
The ornamental design for the display, as shown and described.

DESCRIPTION

FIG. 1 is a front perspective view of the display comprising the present invention;
 FIG. 2 is a front elevation view thereof;
 FIG. 3 is a rear elevation view thereof;
 FIG. 4 is a right side view thereof;
 FIG. 5 is a left side view thereof;
 FIG. 6 is a top view thereof;
 FIG. 7 is a bottom view thereof; and,
 FIG. 8 is a rear perspective view thereof.

Broken lines shown in the drawings illustrate portions of the display, and form no part of the claimed design.

1 Claim, 7 Drawing Sheets



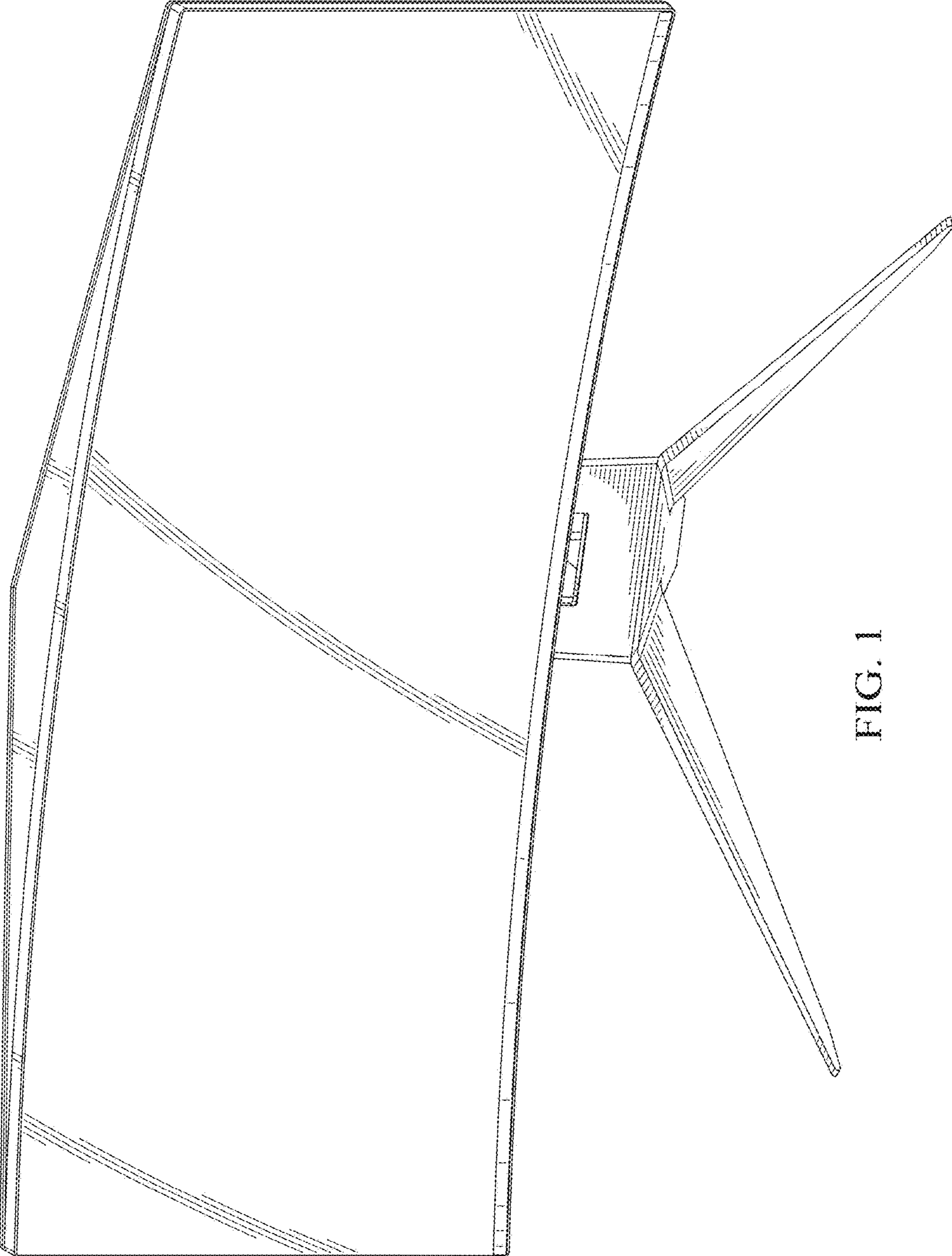


FIG. 1

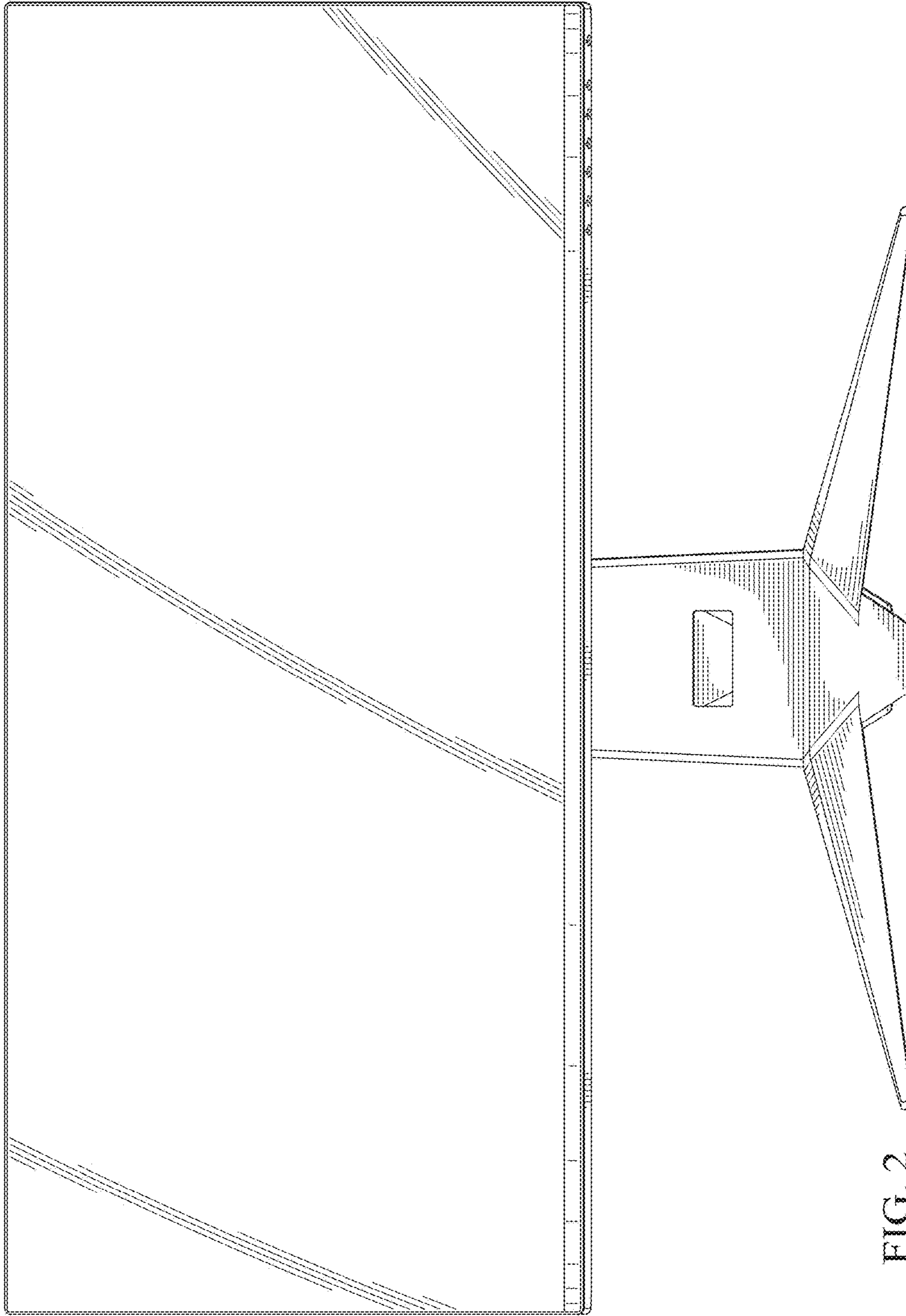


FIG. 2

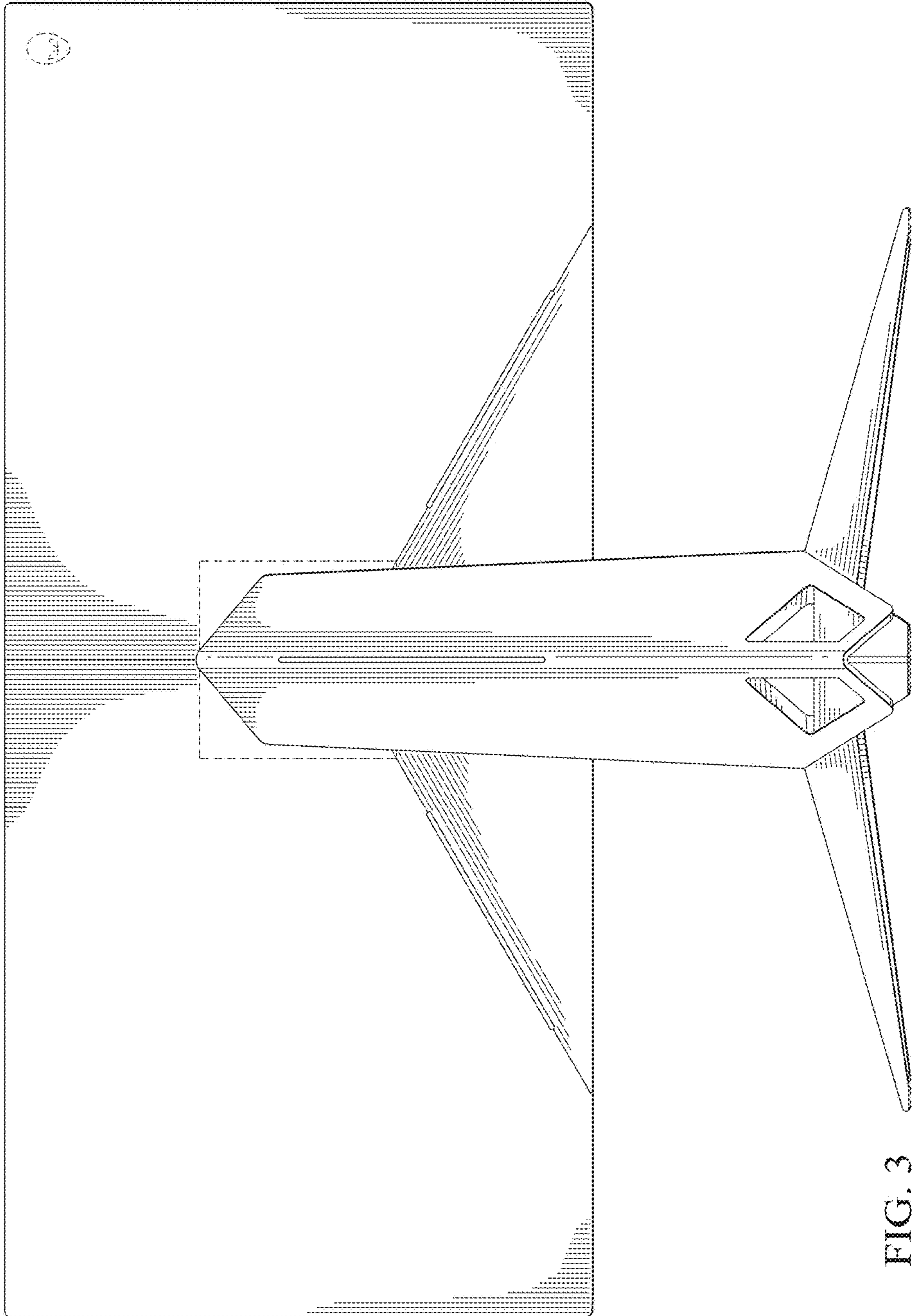


FIG. 3

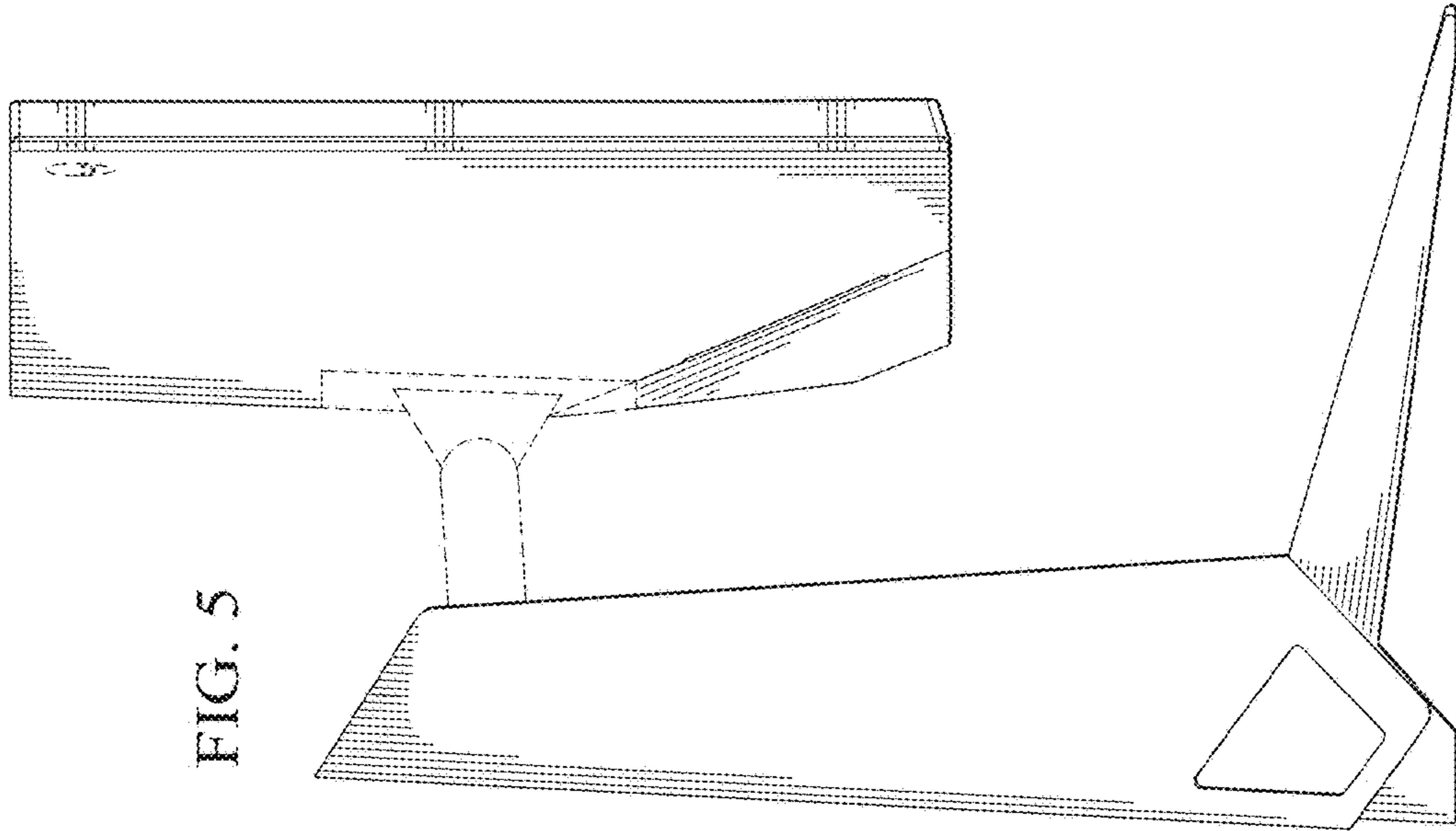


FIG. 5

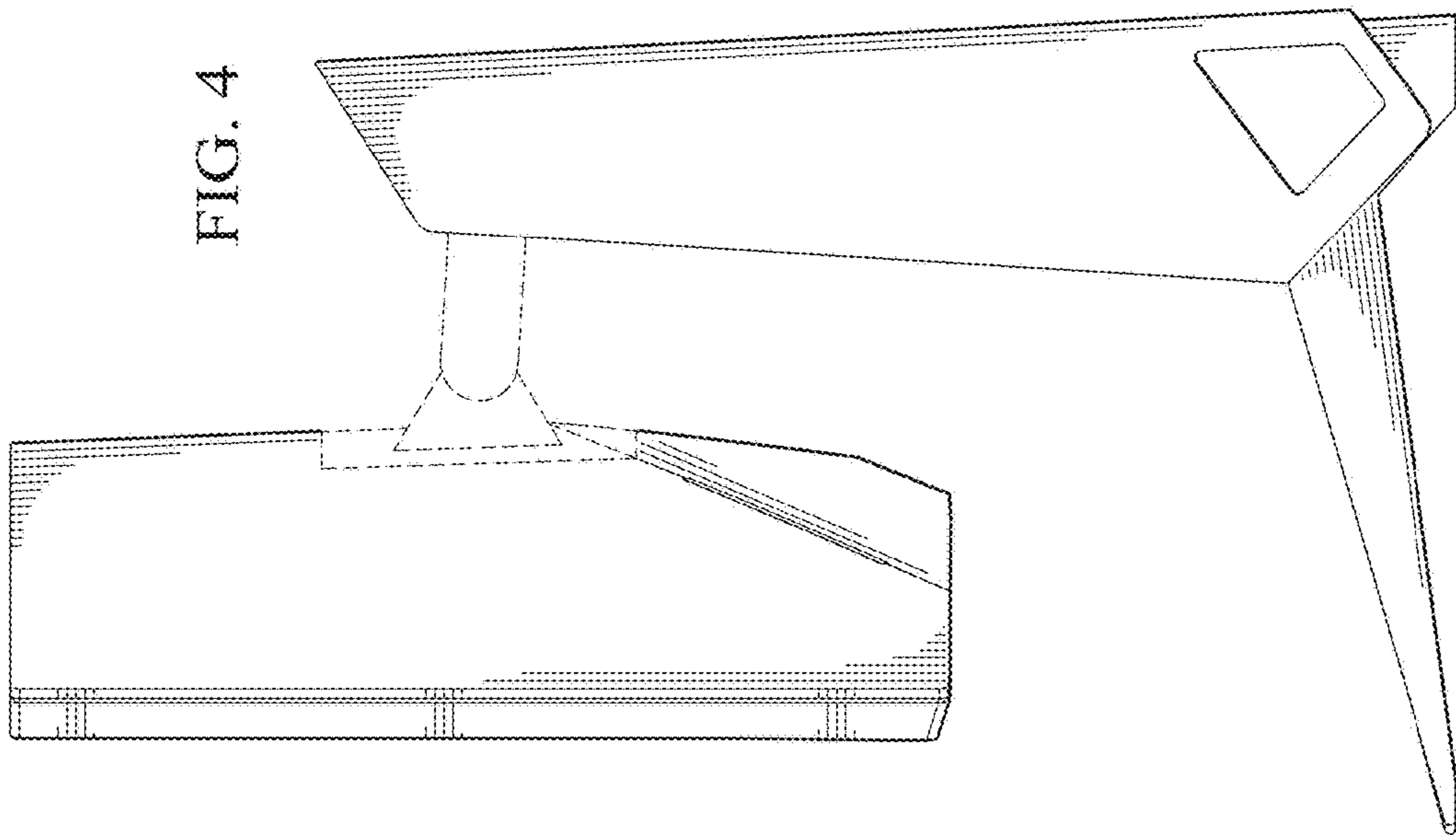


FIG. 4

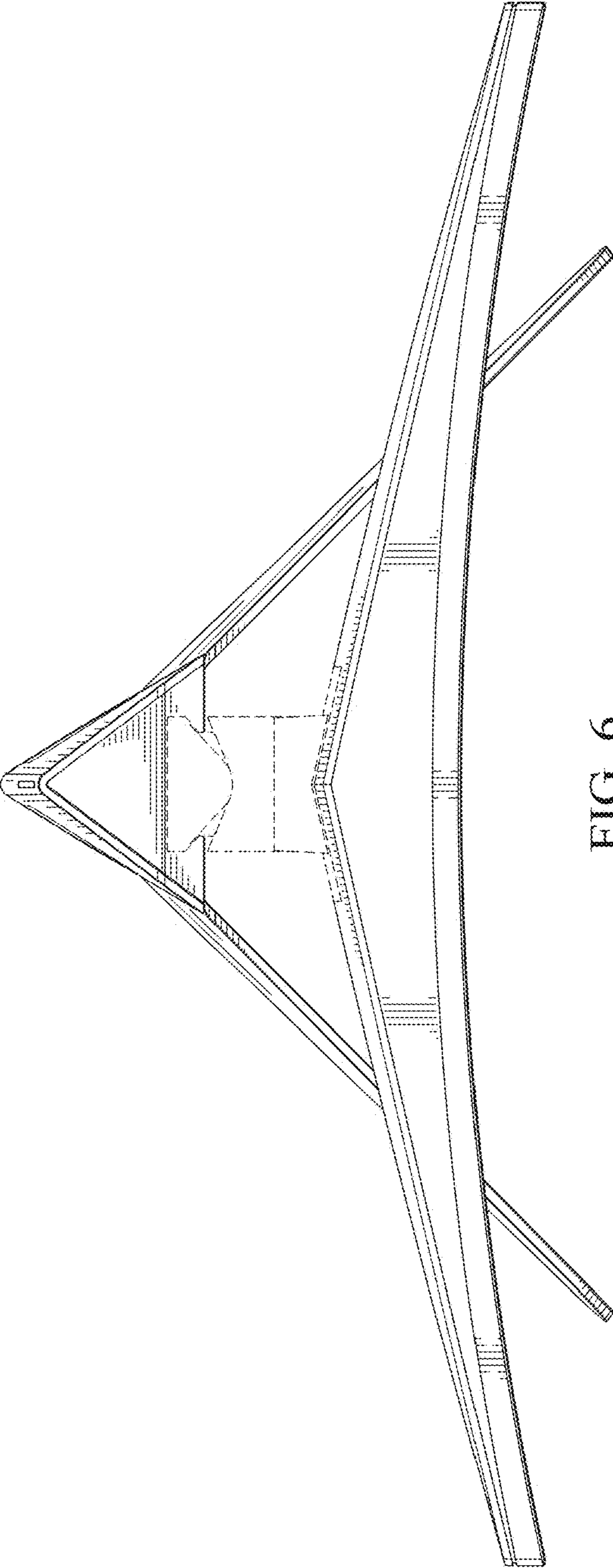


FIG. 6

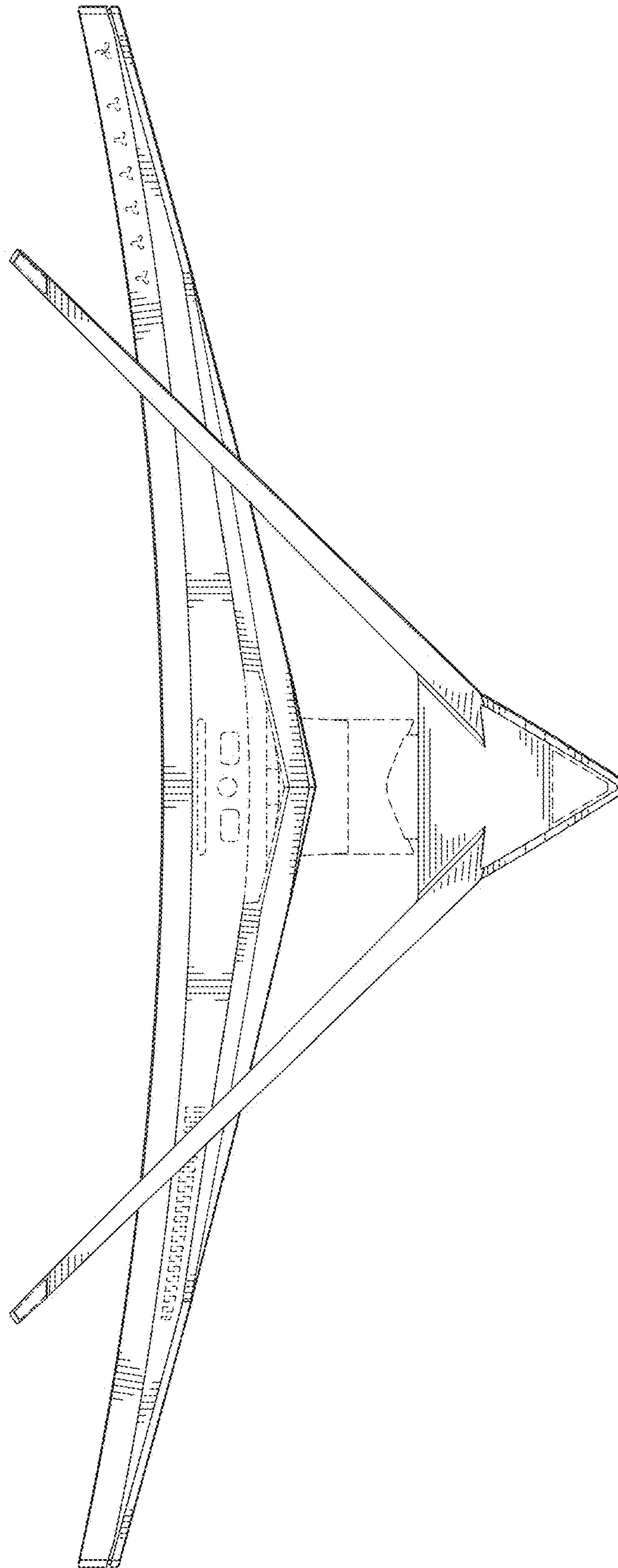


FIG. 7

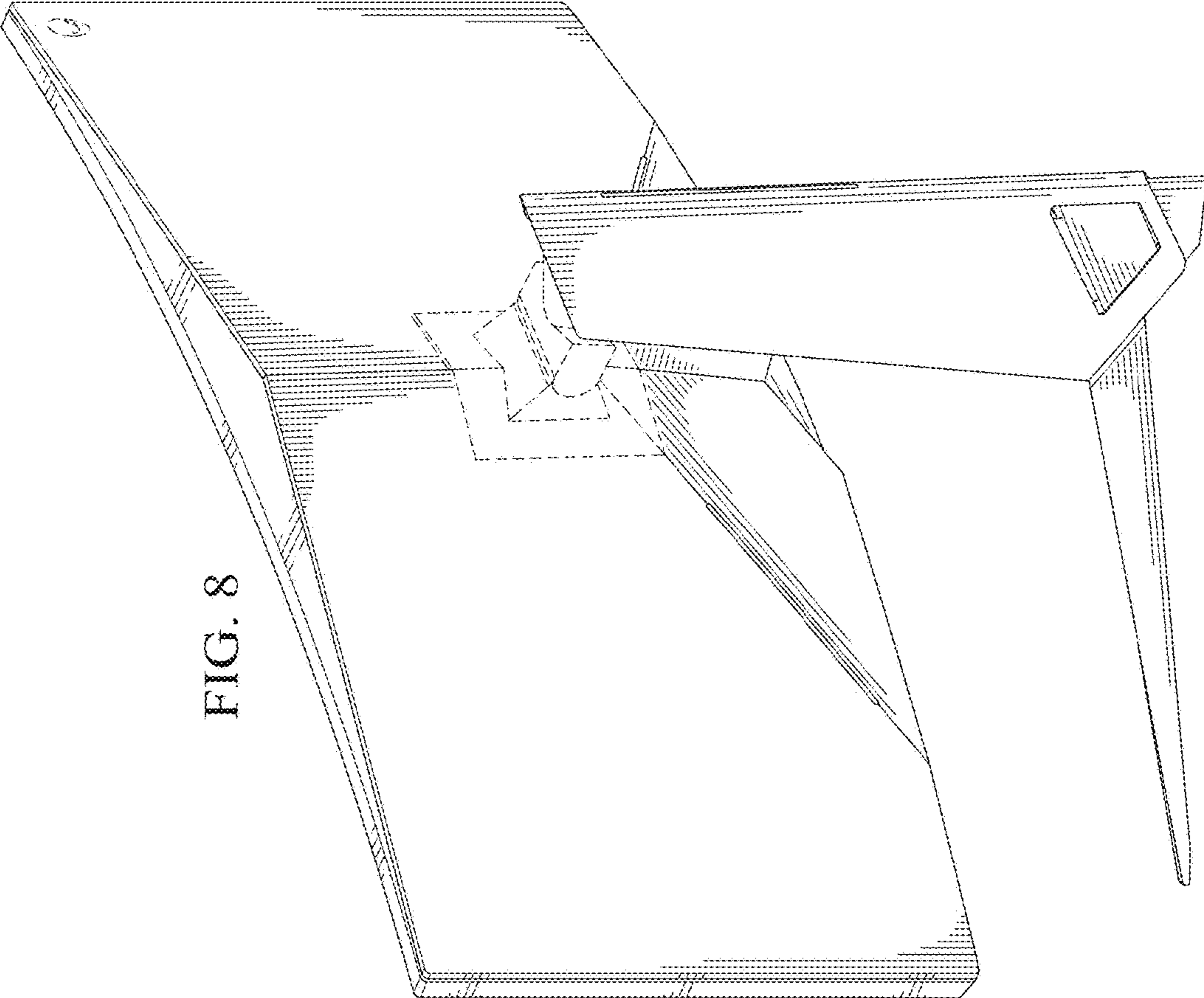


FIG. 8