



US00D826228S

(12) **United States Design Patent**
Feng et al.

(10) **Patent No.:** **US D826,228 S**

(45) **Date of Patent:** **** Aug. 21, 2018**

(54) **DISPLAY**

(71) Applicant: **Empire Technological Group Limited,**
Las Vegas, NV (US)

(72) Inventors: **Linyi Frank Feng,** Las Vegas, NV
(US); **Daryn Kiely,** Henderson, NV
(US)

(73) Assignee: **Empire Technological Group Limited,**
Las Vegas, NV (US)

(**) Term: **15 Years**

(21) Appl. No.: **29/600,225**

(22) Filed: **Apr. 10, 2017**

(51) **LOC (11) Cl.** **14-02**

(52) **U.S. Cl.**
USPC **D14/374**

(58) **Field of Classification Search**
USPC D14/371-375, 125-129, 336, 337;
D6/300, 308; D19/113, 114; D20/10
CPC G09F 15/0025; G09F 15/0062; G09F
15/0068; G09F 25/00; G06F 1/16; G06F
1/1613; G06F 1/133308; G06F 1/1601;
G06F 1/1626; G06F 3/037; G06F 1/162;
F16M 11/02; F16M 11/10; F16M 11/00;
F16M 11/06; F16M 11/18; F16M 11/045;
F16M 11/105; F16M 11/041; F16M
11/126; F16M 11/04; F16M 11/24; F16M
13/02; A47F 5/00

See application file for complete search history.

(56) **References Cited**

U.S. PATENT DOCUMENTS

D424,068 S * 5/2000 Takemasa D14/126
D628,199 S * 11/2010 Yukikado D14/371

D628,913 S * 12/2010 Cheng D10/65
D641,018 S * 7/2011 Lee D14/341
D669,076 S * 10/2012 Haller D14/374
D698,353 S * 1/2014 Choi D14/138 G
D726,295 S * 4/2015 Kim D23/351
D761,901 S * 7/2016 Kim D14/371
D778,279 S * 2/2017 Pendse D14/341
2003/0058372 A1* 3/2003 Williams F16M 11/18
348/836
2003/0089010 A1* 5/2003 Wechter et al. G09F 25/00
40/584

* cited by examiner

Primary Examiner — Freda S Nunn

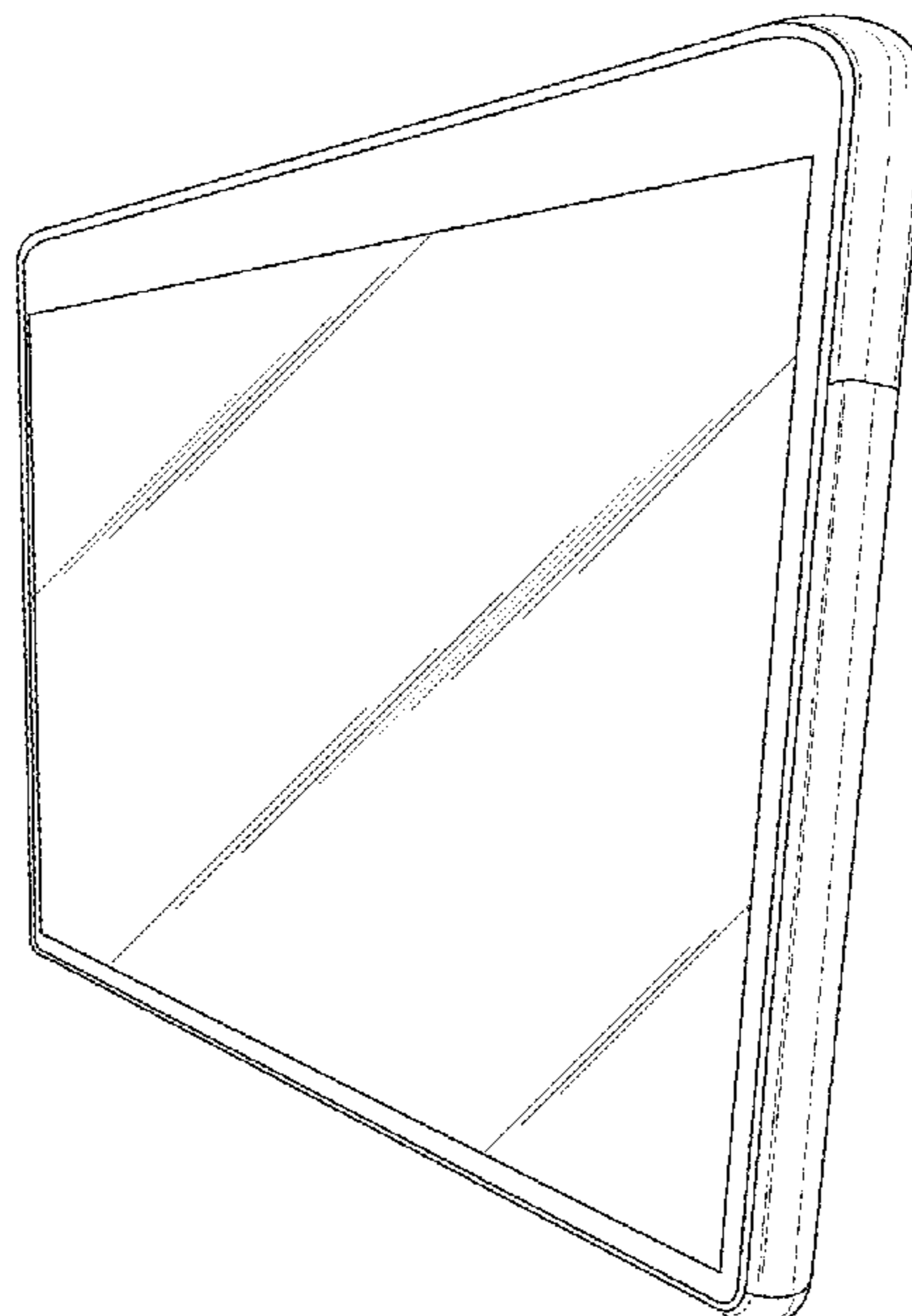
(57) **CLAIM**

We claim the ornamental design for a display, substantially as shown and described.

DESCRIPTION

FIG. 1 is a top perspective view of a display in accordance with an embodiment of the present design.
FIG. 2 is a front view for the display in accordance with the embodiment of the present design.
FIG. 3 is a rear view for the display in accordance with the embodiment of the present design.
FIG. 4 is a left side view of the display in accordance with the embodiment of the present design.
FIG. 5 is a right side view for the display in accordance with the embodiment of the present design.
FIG. 6 is a top view for the display in accordance with the embodiment of the present design; and,
FIG. 7 is a bottom view for the display in accordance with the embodiment of the present design.

1 Claim, 4 Drawing Sheets



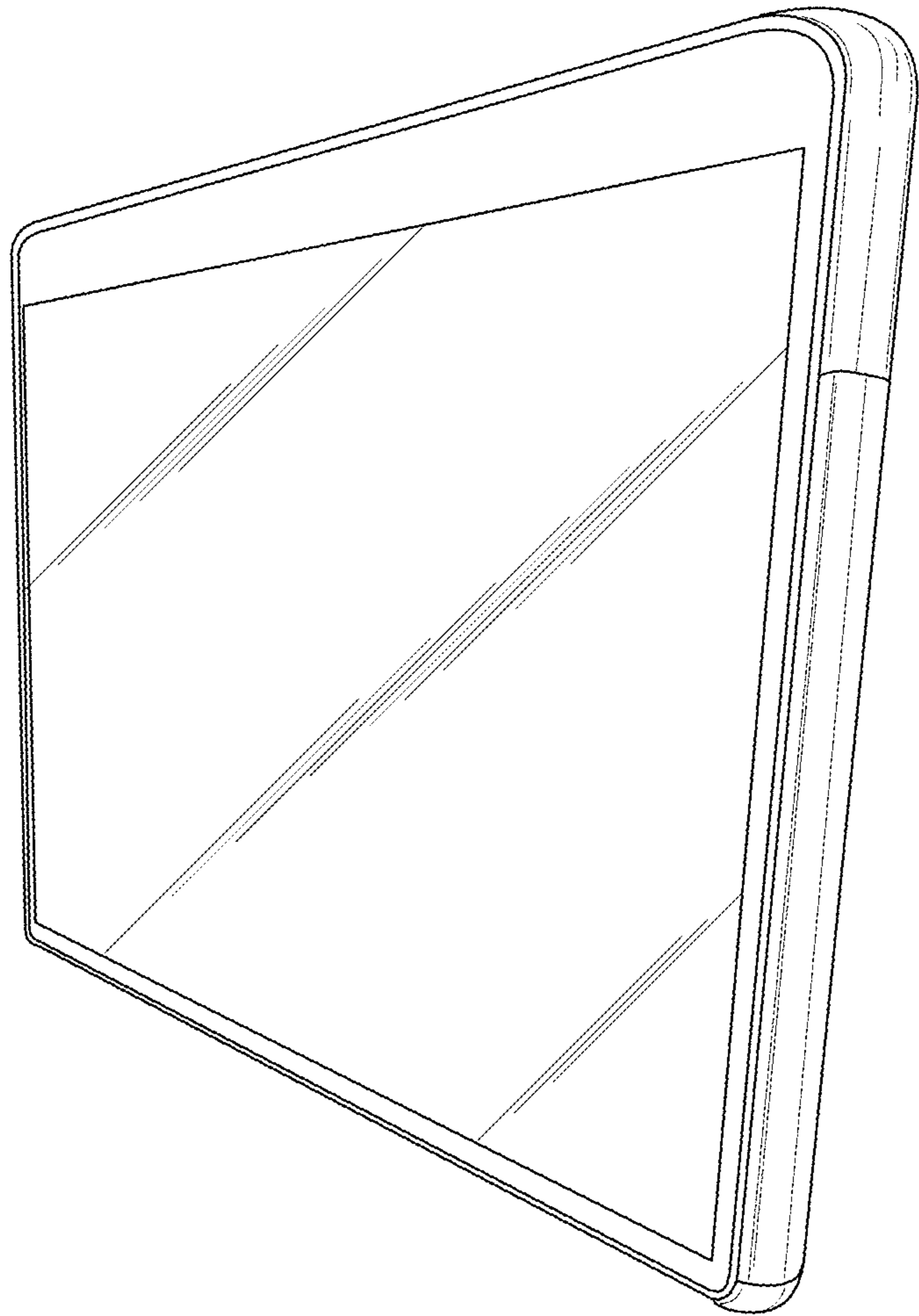


FIG. 1

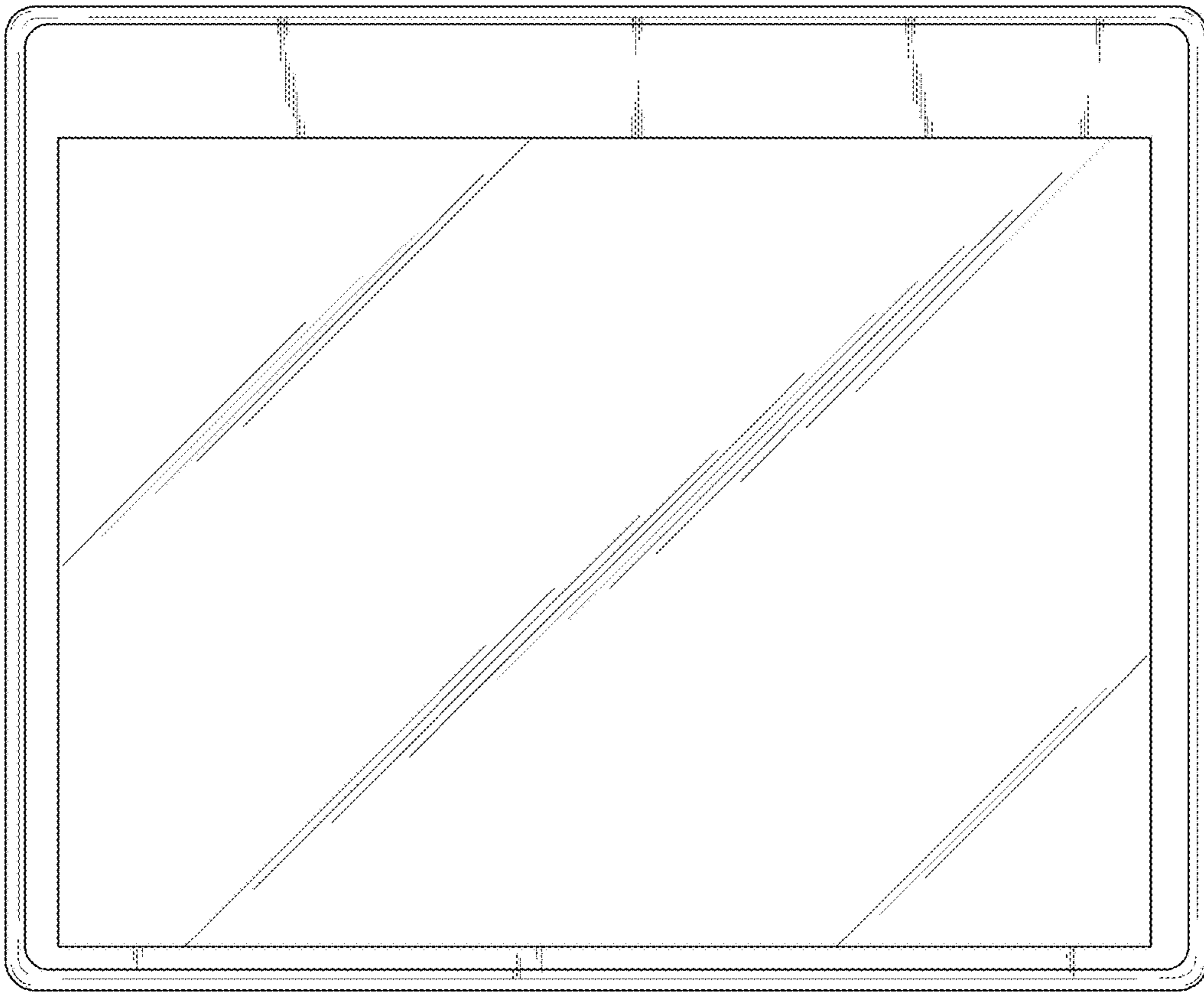


FIG. 2

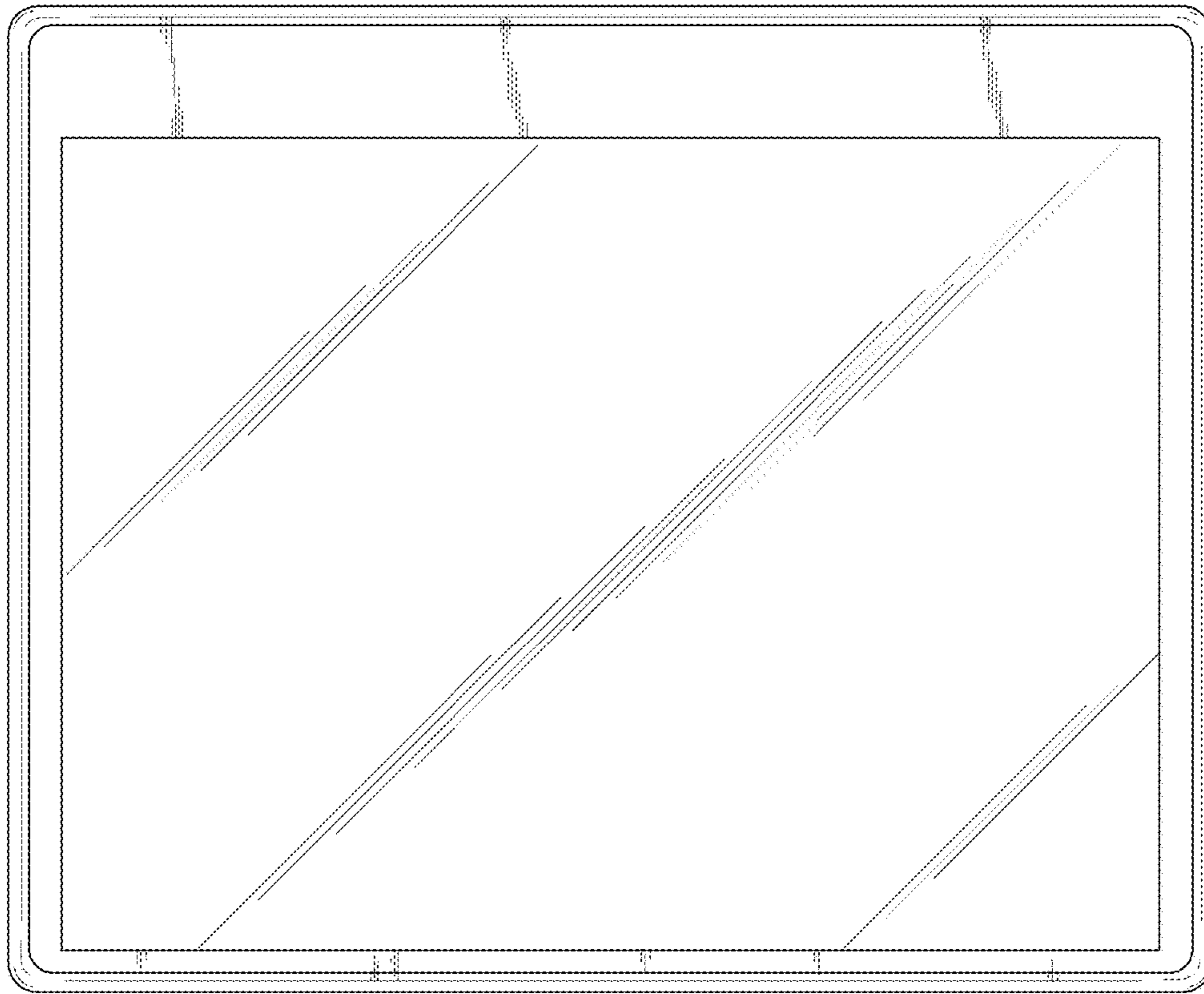


FIG. 3

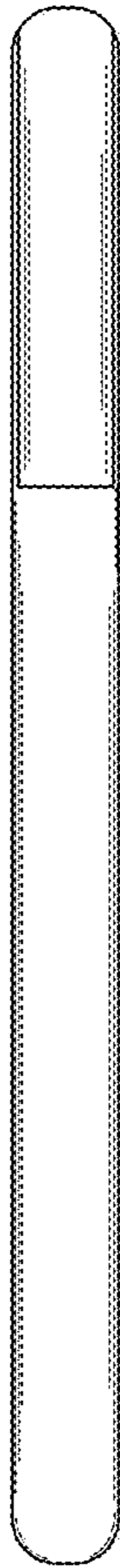


FIG. 4

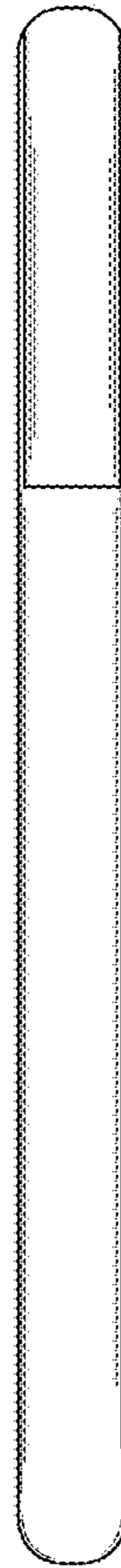


FIG. 5



FIG. 6



FIG. 7