



US00D826227S

(12) **United States Design Patent**
Iritani

(10) **Patent No.:** **US D826,227 S**

(45) **Date of Patent:** **** Aug. 21, 2018**

(54) **HEAD MOUNTED DISPLAY DEVICE**

(71) Applicant: **Konica Minolta, Inc.**, Chiyoda-ku,
Tokyo (JP)

(72) Inventor: **Yu Iritani**, Tokyo (JP)

(73) Assignee: **KONICA MINOLTA, INC.**,
Chiyoda-Ku, Tokyo (JP)

(**) Term: **15 Years**

(21) Appl. No.: **29/622,777**

(22) Filed: **Oct. 19, 2017**

Related U.S. Application Data

(62) Division of application No. 29/568,874, filed on Jun.
22, 2016, now Pat. No. Des. 807,881.

(30) **Foreign Application Priority Data**

Dec. 22, 2015 (JP) 2015-028543

(51) **LOC (11) Cl.** **14-02**

(52) **U.S. Cl.**
USPC **D14/372**

(58) **Field of Classification Search**
USPC D14/372, 496, 432, 371, 125, 126, 129,
D14/299; D16/300-342; 351/158, 153,
351/144; 345/7-9, 905; 455/344;
348/115, 53, 121, 739
CPC G02B 27/017; G02B 27/0158; G02B
27/0161; G02B 27/0181; G02B 27/0185;
G02B 27/0189
See application file for complete search history.

(56) **References Cited**

U.S. PATENT DOCUMENTS

D716,807 S * 11/2014 Yeom D14/372
D716,808 S * 11/2014 Yeom D14/372
D718,305 S * 11/2014 Olsson D14/372

D719,568 S * 12/2014 Heinrich D14/372
D719,569 S * 12/2014 Heinrich D14/372
D719,570 S * 12/2014 Heinrich D14/372
D719,572 S * 12/2014 Lee D14/372
D719,952 S * 12/2014 Kim D14/372
D724,082 S * 3/2015 Olsson D14/372
D724,083 S * 3/2015 Olsson D14/372
D724,084 S * 3/2015 Choo D14/372

(Continued)

FOREIGN PATENT DOCUMENTS

JP 1086816 S 10/2000
KR 30-0789034 S 3/2015
KR 30-0789034-2 S 4/2015

OTHER PUBLICATIONS

Shimadzu Data Glass 2/A Display driven by USB bus power to be
utilized in a variety of situations, Jul. 14, 2006 (Japan Patent Office,
Design Department, known document No. HC18027775) with
English translation (2 pages).

(Continued)

Primary Examiner — Austin Murphy

(74) *Attorney, Agent, or Firm* — Buchanan Ingersoll &
Rooney PC

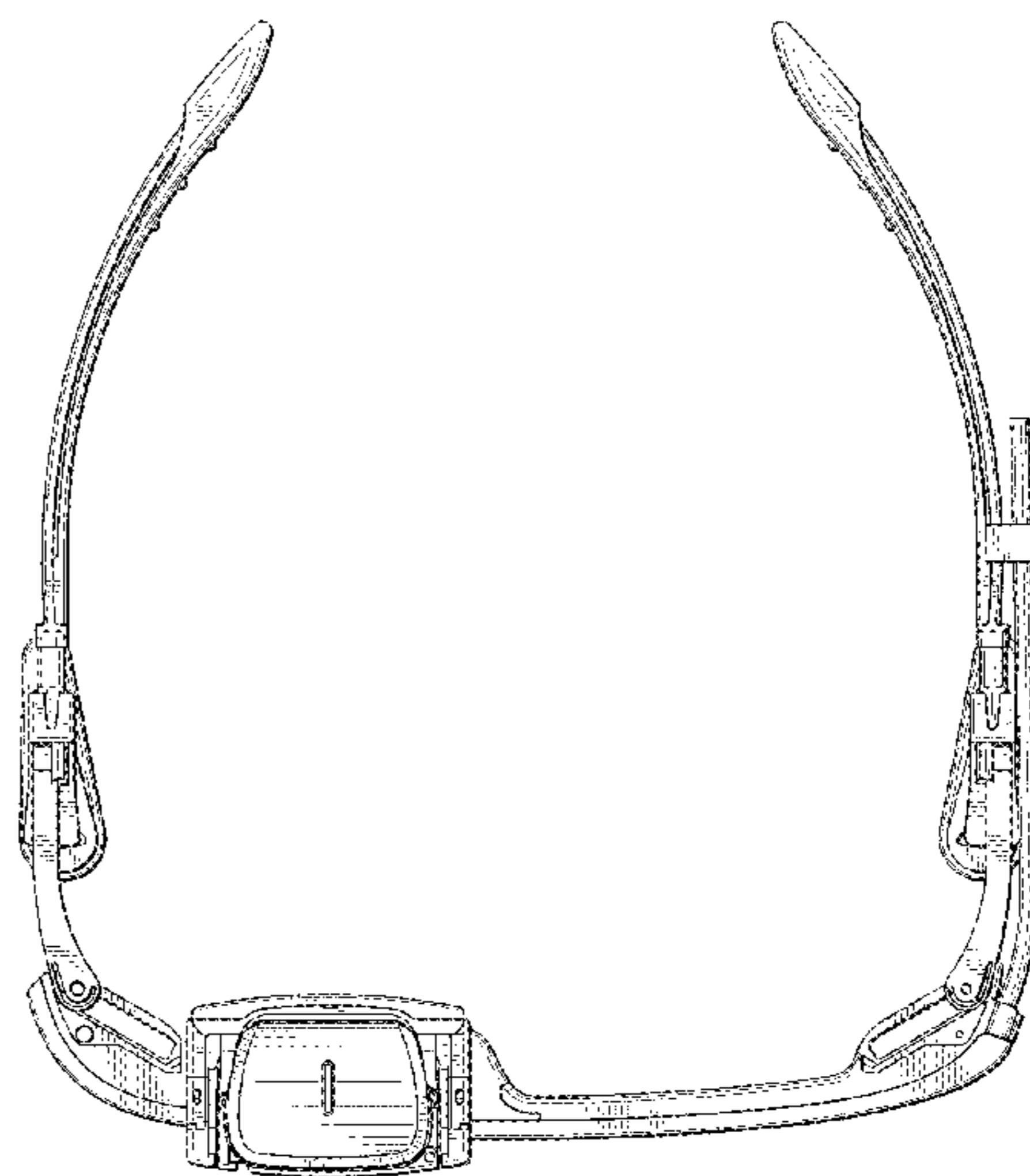
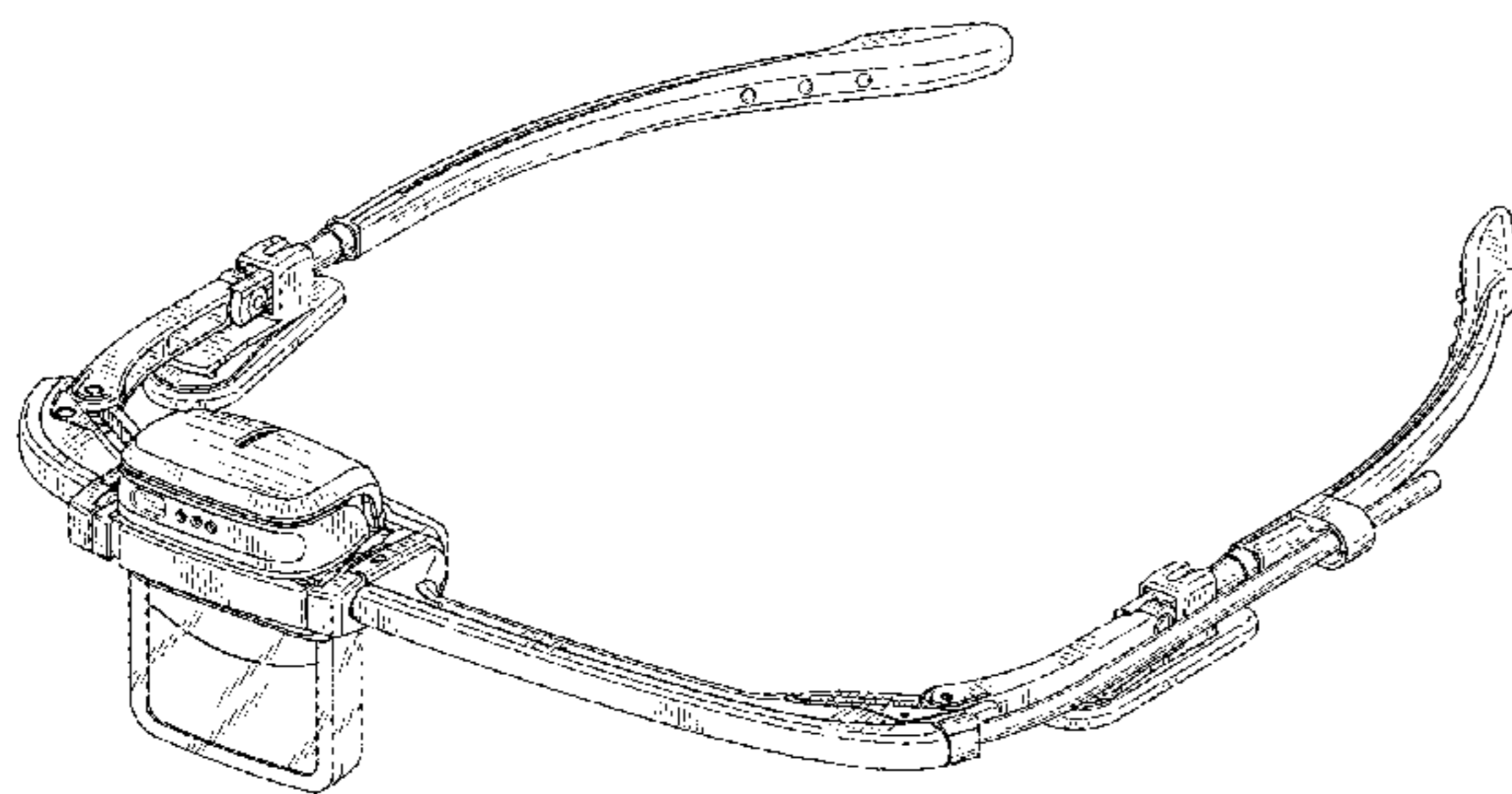
(57) **CLAIM**

The ornamental design for a head mounted display device,
as shown and described.

DESCRIPTION

FIG. 1 is a perspective view of a head mounted display
device showing my new design;
FIG. 2 is a front view thereof;
FIG. 3 is a back view thereof;
FIG. 4 is a top view thereof;
FIG. 5 is a bottom view thereof;
FIG. 6 is a right view thereof; and,
FIG. 7 is a left view thereof.

1 Claim, 4 Drawing Sheets



(56)

References Cited

U.S. PATENT DOCUMENTS

D727,317 S	*	4/2015	Olsson	D14/372
D730,352 S		5/2015	Chow	
D733,709 S	*	7/2015	Kawai	D14/372
D734,332 S	*	7/2015	Olsson	D14/372
D751,073 S	*	3/2016	Nagao	D14/372
D751,551 S	*	3/2016	Ho	D14/372
D751,552 S	*	3/2016	Osterhout	D14/372
D759,015 S	*	6/2016	Mehin	D14/372
D762,212 S	*	7/2016	Iritani	D14/372
D763,257 S	*	8/2016	Cazalet	D14/372
D768,627 S	*	10/2016	Rochat	D14/372
D792,400 S	*	7/2017	Osterhout	D14/372
D792,401 S	*	7/2017	Tang	D14/372
D807,881 S	*	1/2018	Iritani	D14/372
D813,231 S	*	3/2018	Yoshida	D14/372

OTHER PUBLICATIONS

Japanese Official Action dated Jun. 6, 2016 in counterpart Japanese Application No. 2015-028543 with complete English translation (4 pages).

* cited by examiner

FIG. 1

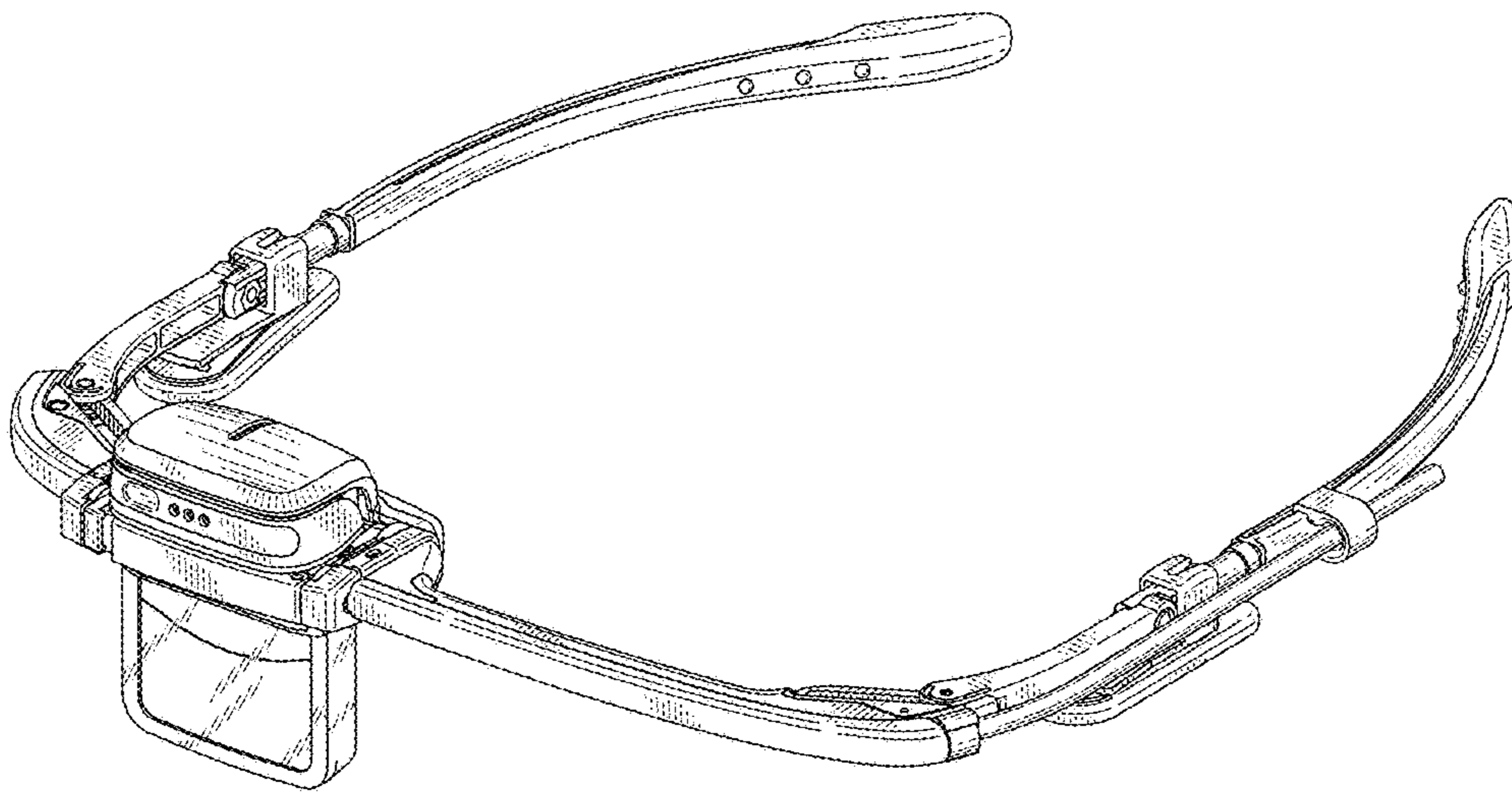


FIG. 2

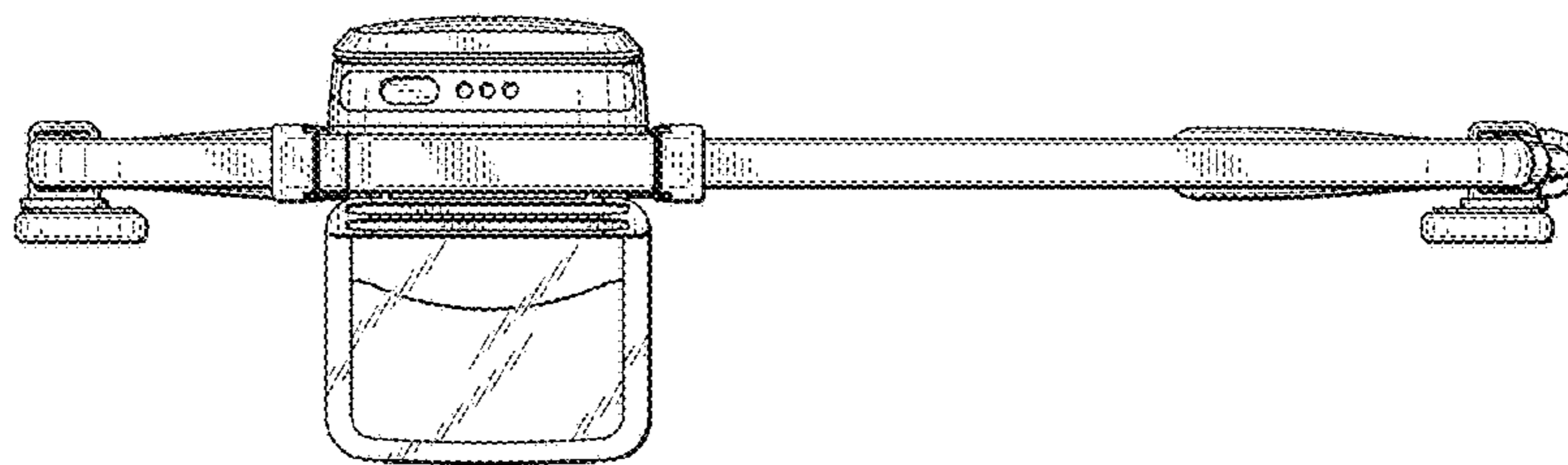


FIG. 3

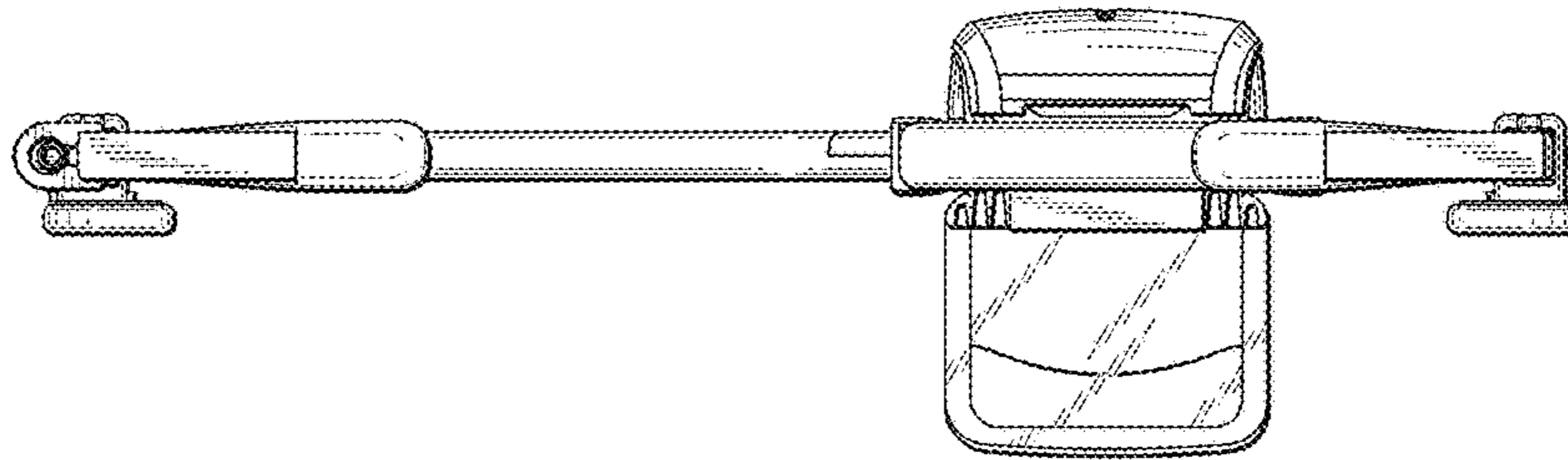


FIG. 4

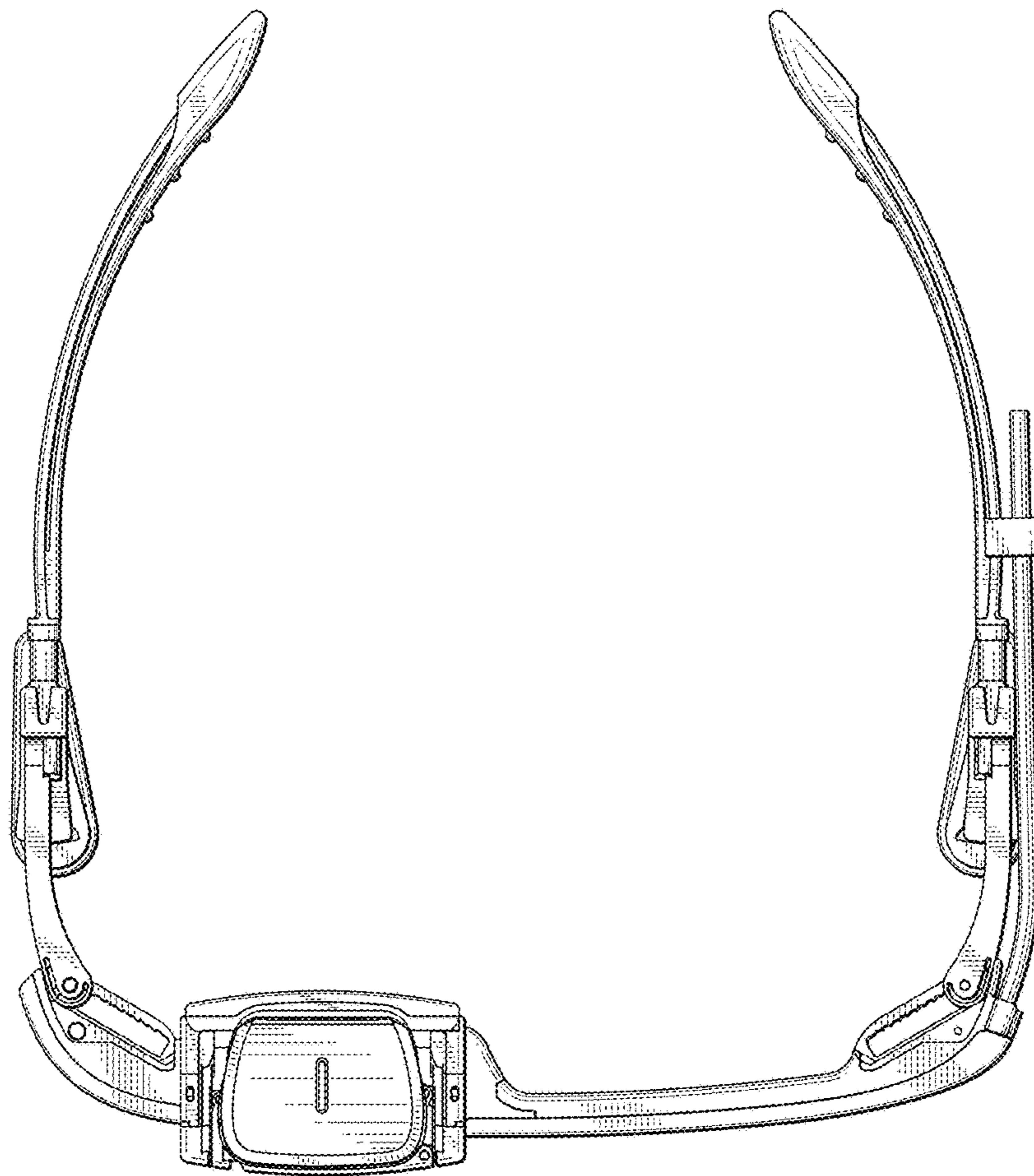


FIG. 5

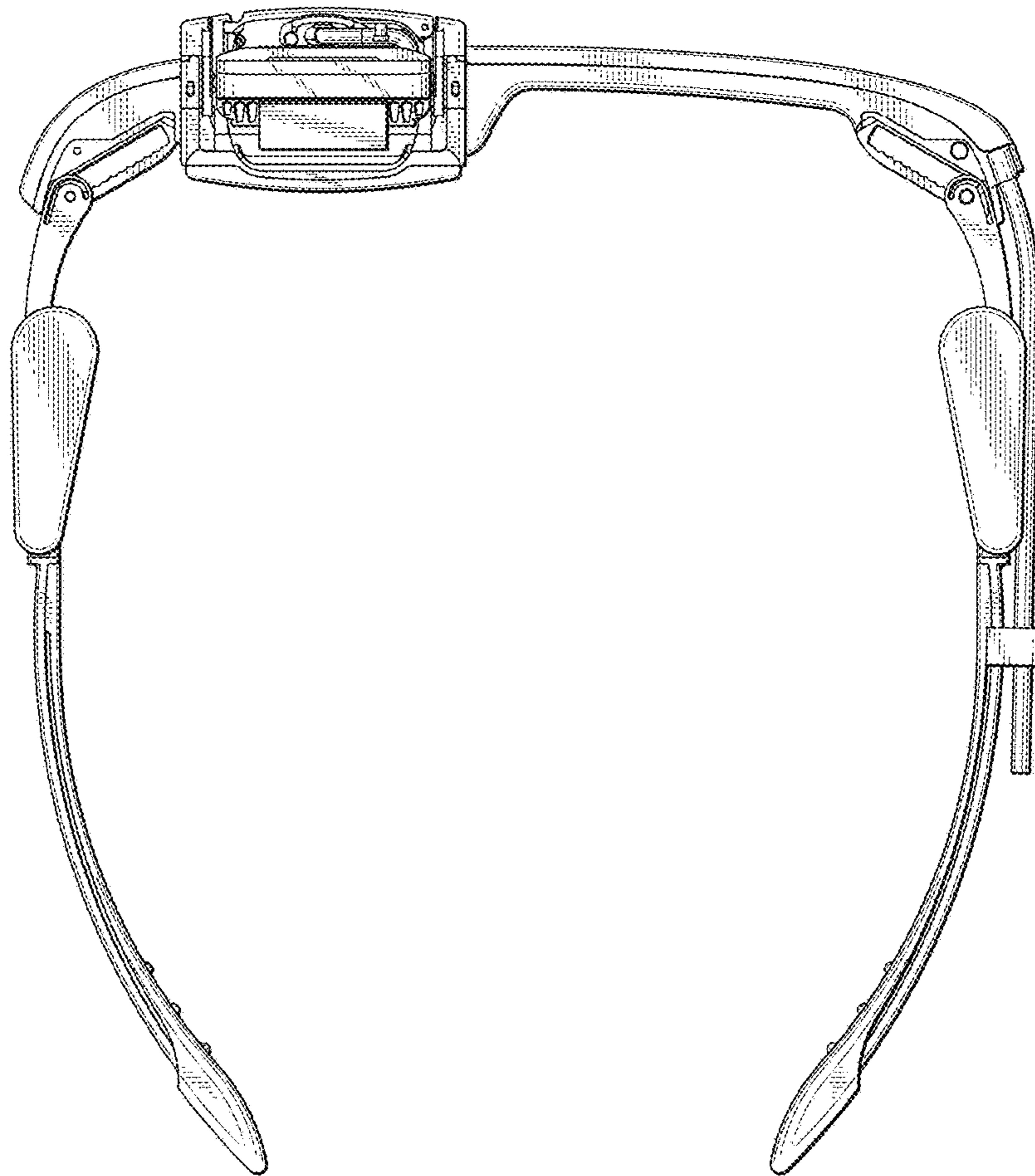


FIG. 6

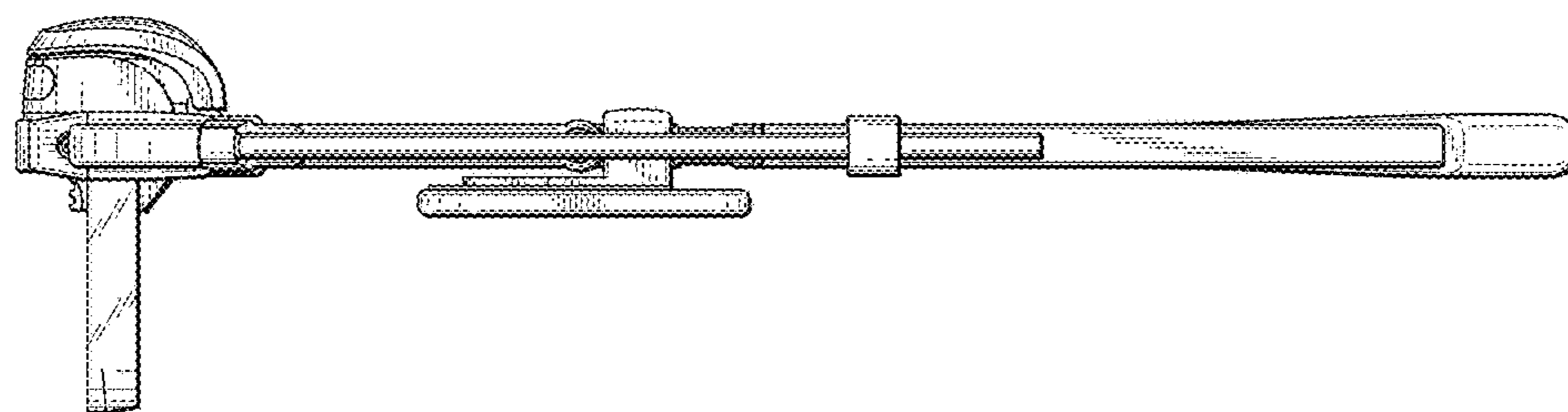


FIG. 7

