



US00D826225S

(12) **United States Design Patent** (10) **Patent No.:** **US D826,225 S**  
**Chen** (45) **Date of Patent:** **\*\* Aug. 21, 2018**

(54) **VEHICLE EXHAUST PORT MOBILE PHONE HOLDER**

(71) Applicant: **Shenzhen Shenghaina Technology Co., Ltd.**, Shenzhen, Guangdong (CN)

(72) Inventor: **Xiaowei Chen**, Shenzhen (CN)

(73) Assignee: **Shenzhen Shenghaina Technology Co., Ltd.**, Shenzhen (CN)

(\*\*) Term: **15 Years**

(21) Appl. No.: **29/586,586**

(22) Filed: **Dec. 5, 2016**

(30) **Foreign Application Priority Data**

Aug. 31, 2016 (CN) ..... 2016 3 0455766

(51) **LOC (11) Cl.** ..... **14-03**

(52) **U.S. Cl.**  
USPC ..... **D14/253**

(58) **Field of Classification Search**  
USPC ..... D14/251, 240, 217, 447, 253; 224/558  
CPC ..... H04B 1/3888; H04M 1/0283; A45C 1/06  
See application file for complete search history.

(56) **References Cited**

**U.S. PATENT DOCUMENTS**

D482,039 S *	11/2003	Chen	.....	D14/447
D690,707 S *	10/2013	Minn	.....	B60R 11/0241
				D14/447
D720,759 S *	1/2015	Deng	.....	D14/447
D726,175 S *	4/2015	Tsai	.....	D12/415
D753,643 S *	4/2016	Kim	.....	D14/253
D757,705 S *	5/2016	Esses	.....	D14/251
D765,651 S *	9/2016	Liu	.....	D14/253
D767,556 S *	9/2016	Lee	.....	D12/415
D768,125 S *	10/2016	Kim	.....	D14/253
D769,860 S *	10/2016	Xiao	.....	D14/253

D778,714 S *	2/2017	McSweyn	.....	D12/415
D782,462 S *	3/2017	Huang	.....	D14/253
D783,592 S *	4/2017	Ju	.....	D14/253
D792,416 S *	7/2017	Tsai	.....	D14/447
D799,466 S *	10/2017	Sukphist	.....	D14/253
D802,404 S *	11/2017	Turksu	.....	D8/373
D809,837 S *	2/2018	Gao	.....	D6/682.2
D816,076 S *	4/2018	Ahn	.....	D14/253
9,956,923 B2 *	5/2018	Minn	.....	B60R 11/02
9,975,497 B2 *	5/2018	Kim	.....	B60R 11/0241
2014/0138419 A1 *	5/2014	Minn	.....	B60R 11/0241
				224/567

\* cited by examiner

*Primary Examiner* — Cynthia R Underwood  
(74) *Attorney, Agent, or Firm* — Loza & Loza, LLP;  
Michael Fedrick

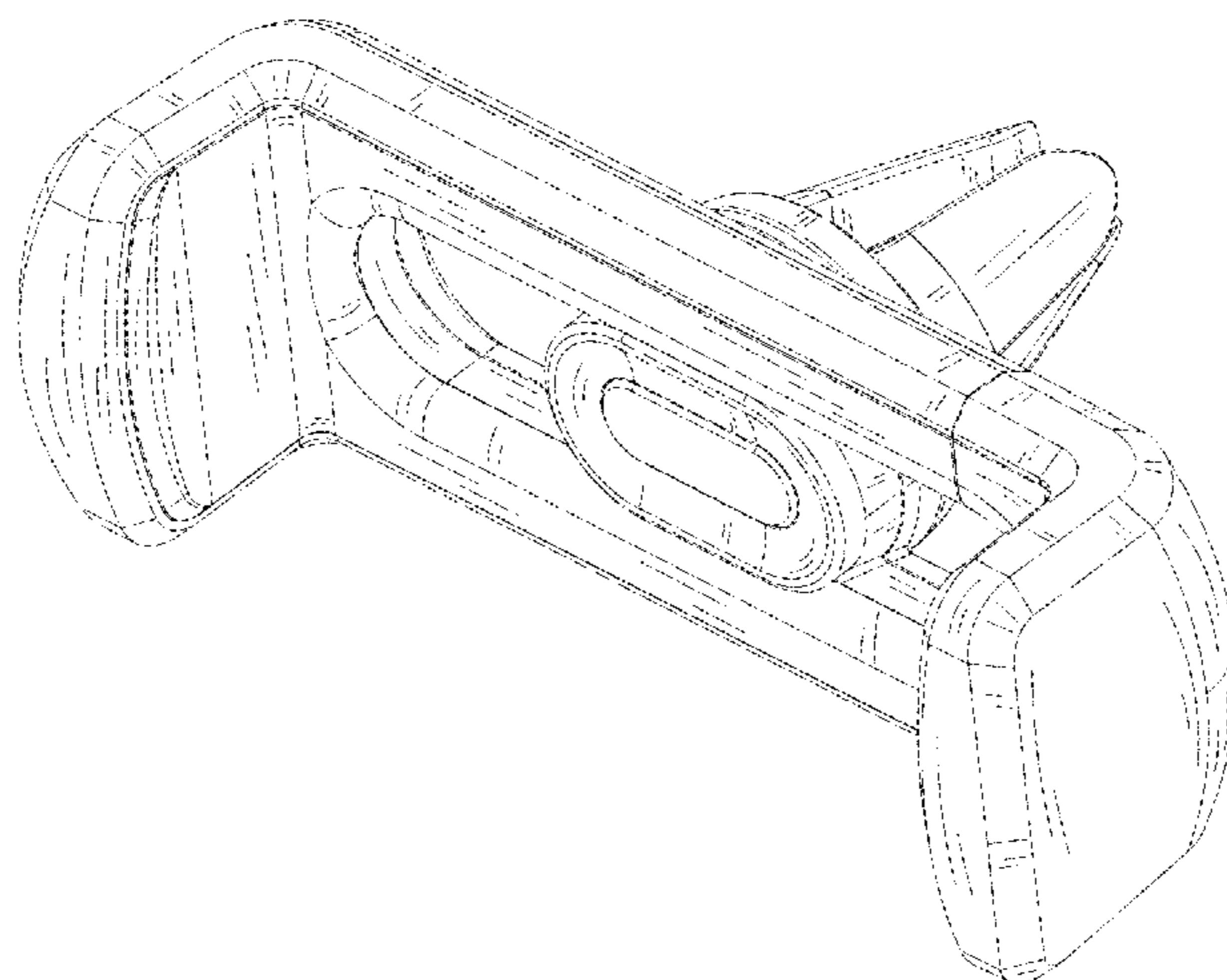
(57) **CLAIM**

The ornamental design for a vehicle exhaust port mobile phone holder, as shown and described.

**DESCRIPTION**

FIG. 1 is a front perspective view of the vehicle exhaust port mobile phone holder;  
FIG. 2 is a rear perspective view of the vehicle exhaust port mobile phone holder;  
FIG. 3 is a front elevation view of the vehicle exhaust port mobile phone holder;  
FIG. 4 is a rear elevation view of the vehicle exhaust port mobile phone holder;  
FIG. 5 is a left side elevation view of the vehicle exhaust port mobile phone holder;  
FIG. 6 is a right side elevation view of the vehicle exhaust port mobile phone holder;  
FIG. 7 is a top plan view of the vehicle exhaust port mobile phone holder; and,  
FIG. 8 is a bottom plan view of the vehicle exhaust port mobile phone holder.

**1 Claim, 8 Drawing Sheets**



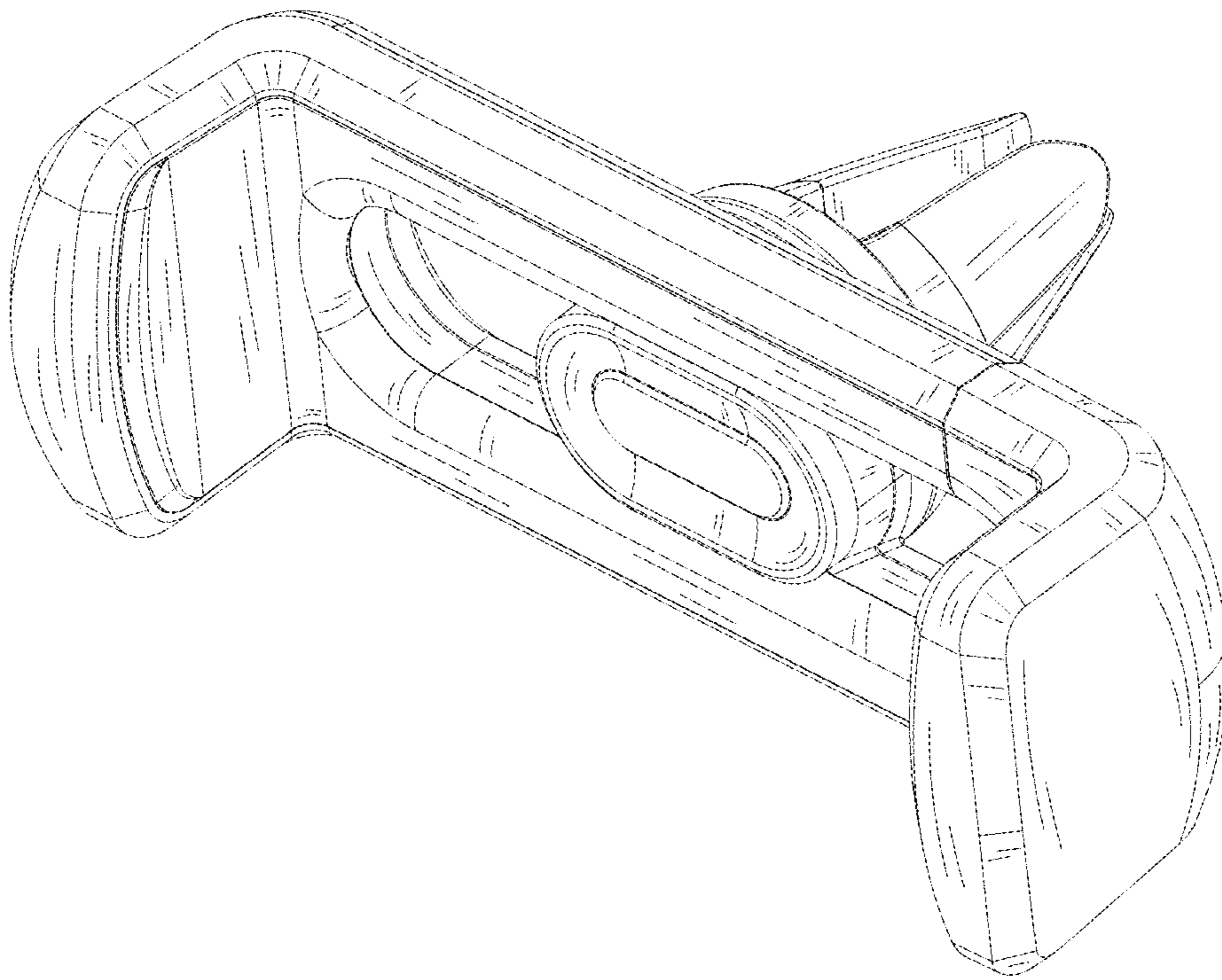


FIG.1

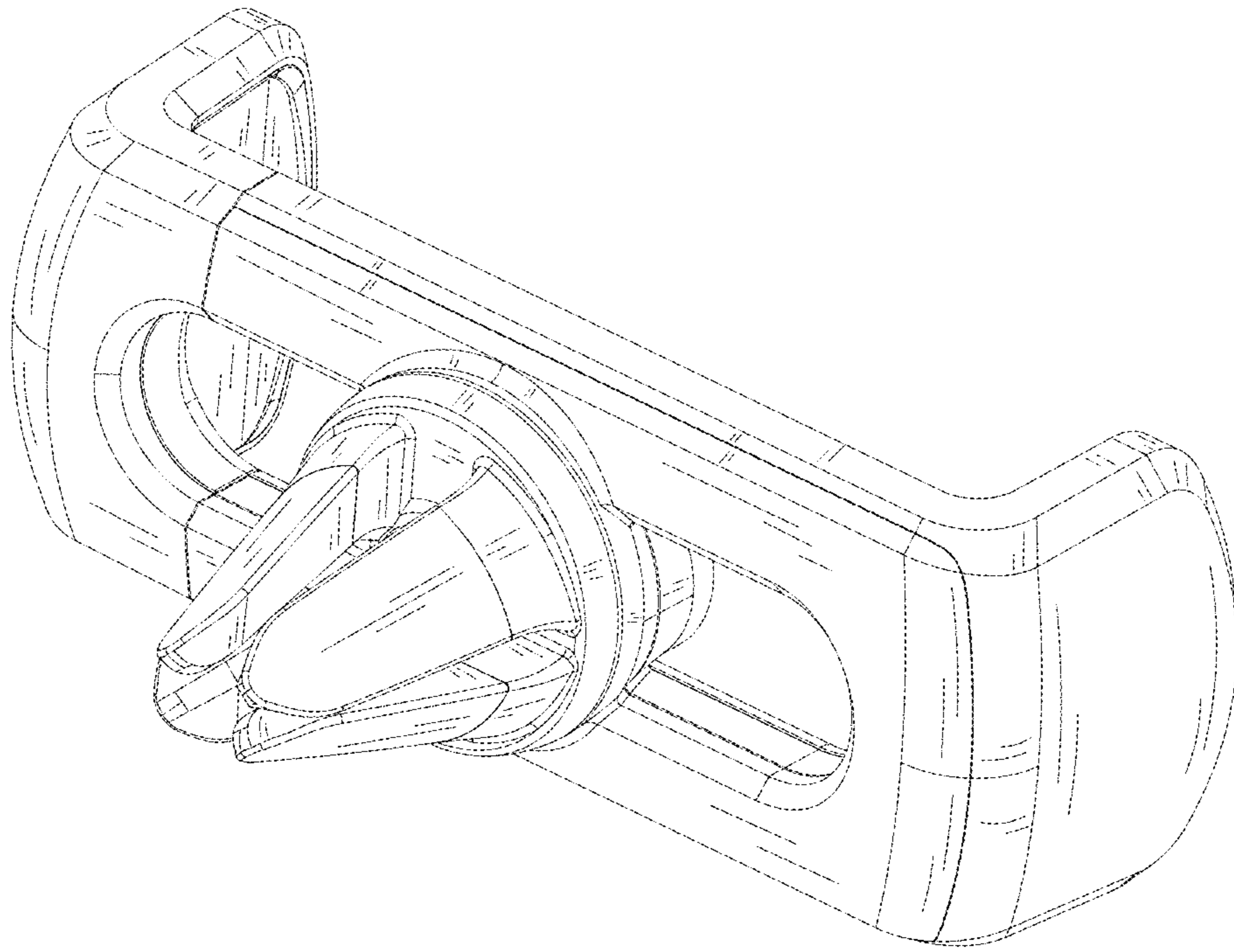


FIG.2

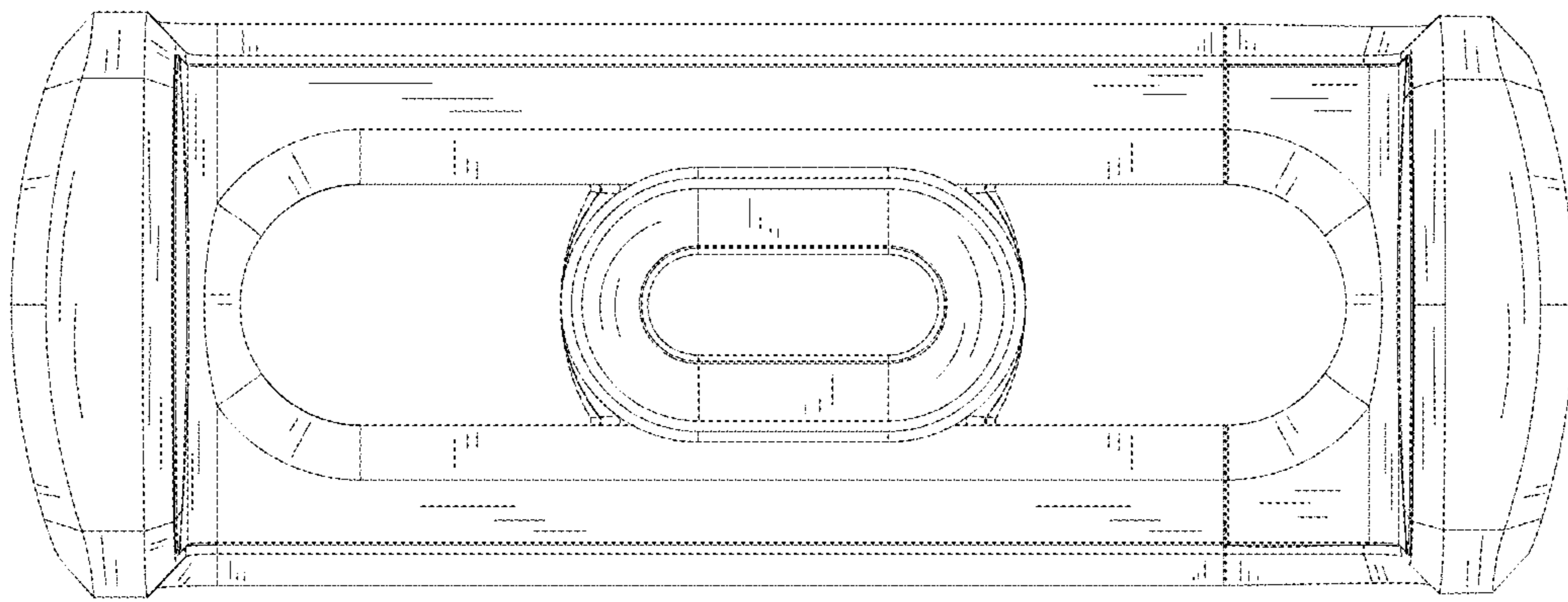


FIG.3

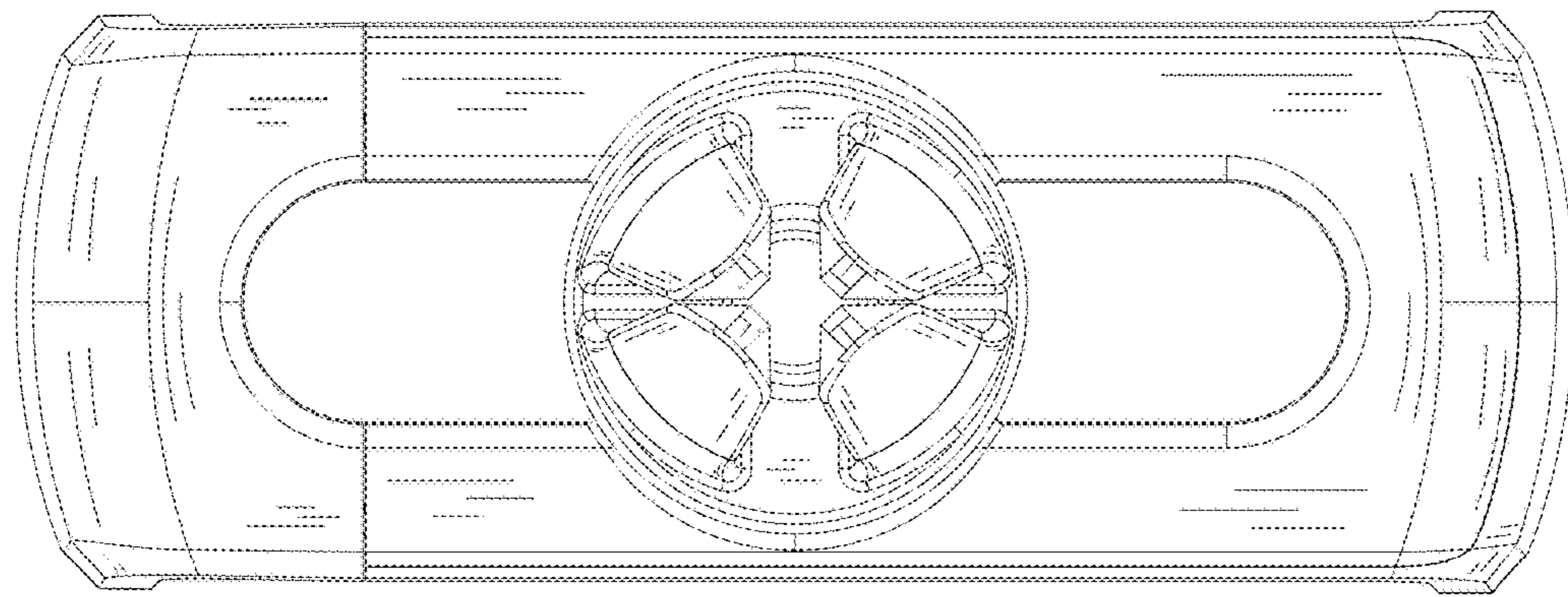


FIG.4



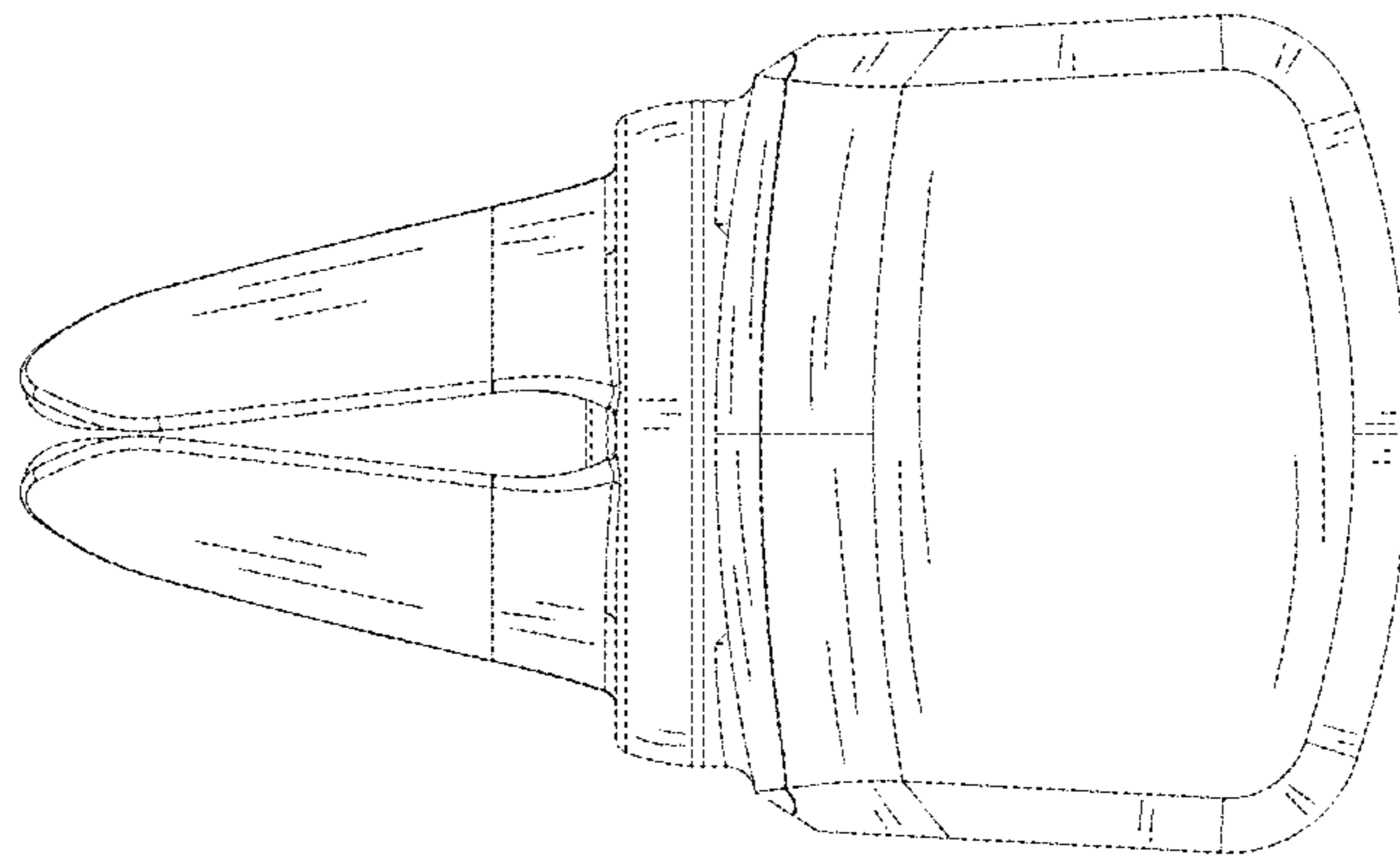


FIG.5

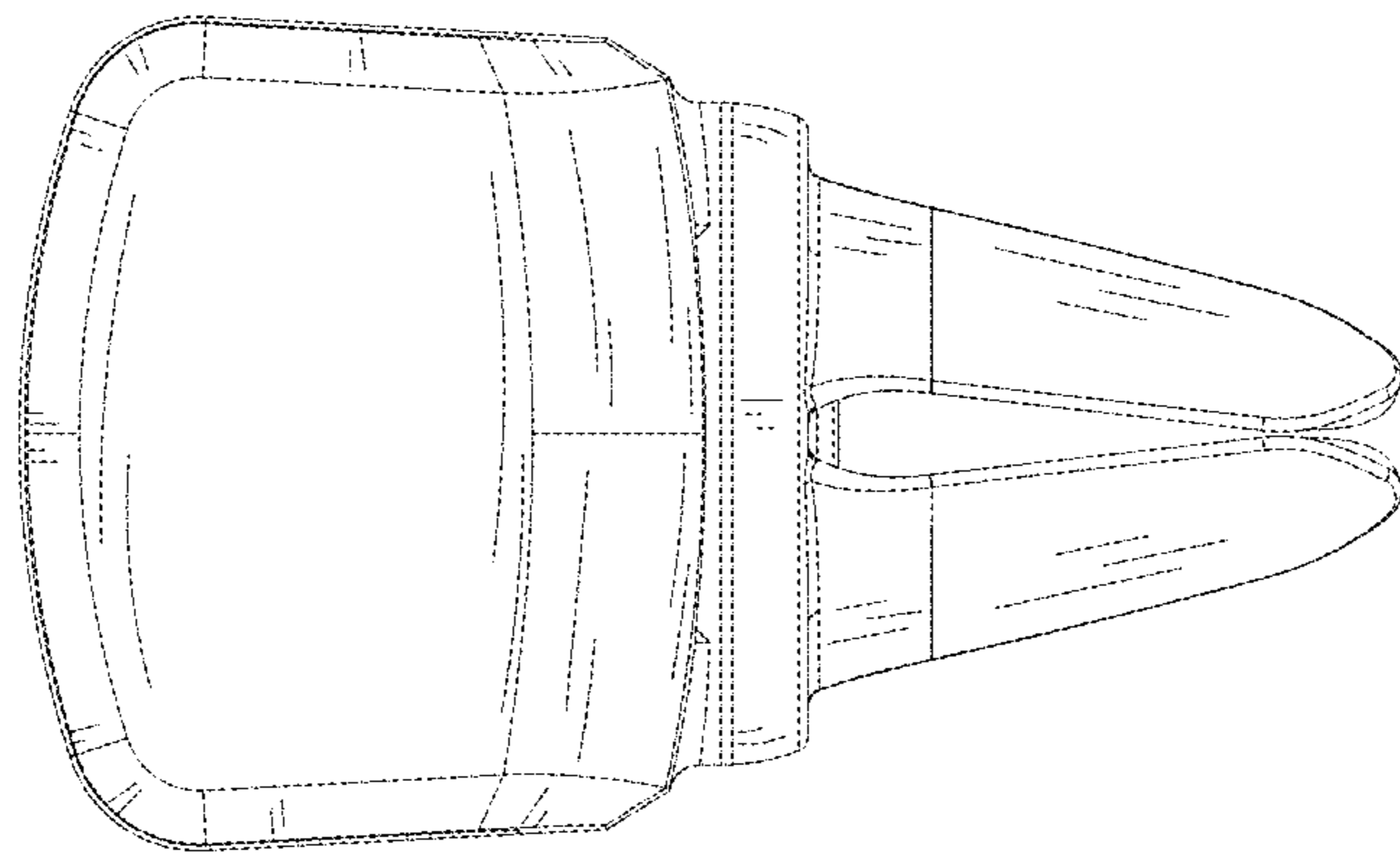


FIG.6

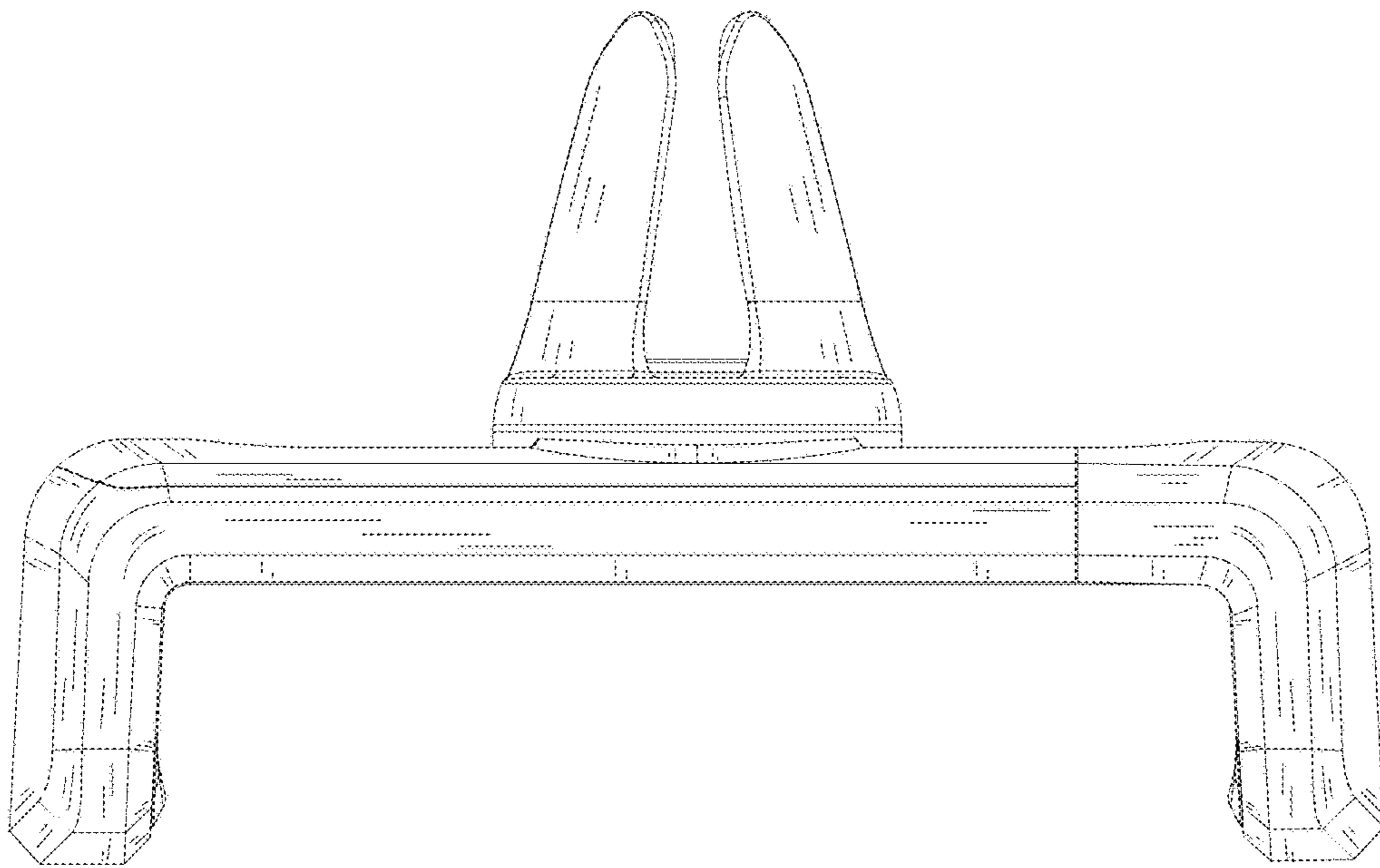


FIG.7



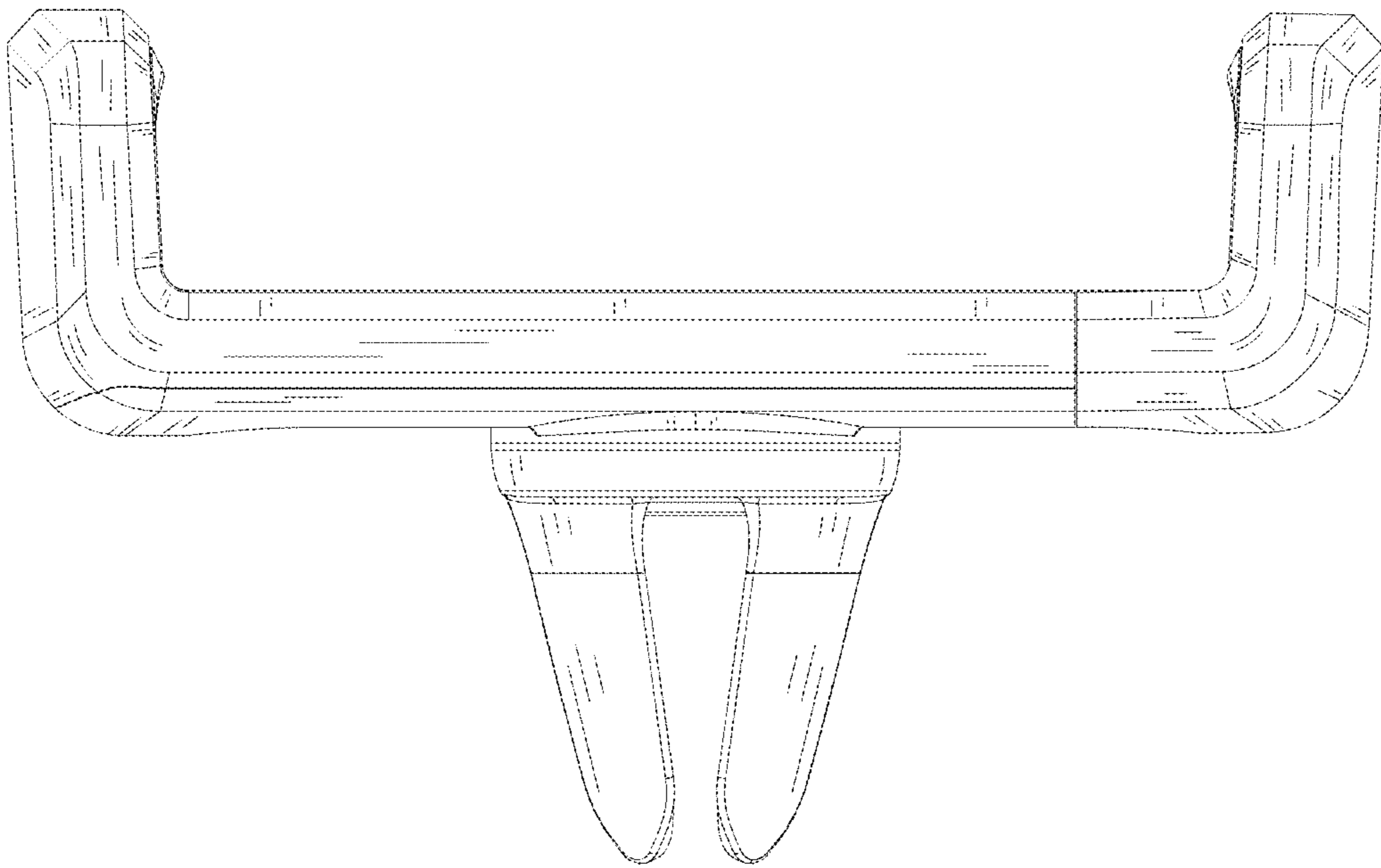


FIG.8