



US00D826223S

(12) **United States Design Patent**
Cho et al.

(10) **Patent No.:** **US D826,223 S**

(45) **Date of Patent:** **** Aug. 21, 2018**

(54) **CAMERA MODULE FOR MOBILE PHONE**

(71) Applicant: **LG ELECTRONICS INC.**, Seoul (KR)

(72) Inventors: **Youngjoo Cho**, Seoul (KR); **Hyunwoo Kim**, Seoul (KR); **Youngho Kim**, Seoul (KR)

(73) Assignee: **LG ELECTRONICS INC.**, Seoul (KR)

(**) Term: **15 Years**

(21) Appl. No.: **29/570,464**

(22) Filed: **Jul. 8, 2016**

(30) **Foreign Application Priority Data**

Jan. 13, 2016 (KR) 30-2016-0001584

(51) **LOC (11) Cl.** **14-03**

(52) **U.S. Cl.**
USPC **D14/240**; D14/248

(58) **Field of Classification Search**
USPC D14/240, 242, 248, 208
CPC H04L 12/00; H03K 17/00; H04W 88/00;
H04W 88/005; H04W 88/02; H04W 88/08;
H04W 88/085; H04W 88/10; H04W 88/12;
H04W 88/14; H04B 1/38
See application file for complete search history.

(56) **References Cited**

U.S. PATENT DOCUMENTS

D307,016 S * 4/1990 Watanabe D13/108
D420,008 S * 2/2000 Lohrding D13/147
D471,927 S * 3/2003 Kim D14/240
D600,640 S * 9/2009 Stein D13/103
D622,712 S * 8/2010 Bang D14/240

D656,133 S * 3/2012 Wang D14/240
D680,535 S * 4/2013 Tzeng D14/240
D685,774 S * 7/2013 Kim D14/240
D689,483 S * 9/2013 Wu D14/240
D742,367 S * 11/2015 Appleton D14/240
D789,338 S * 6/2017 Moon D14/240
D792,497 S * 7/2017 Oliveira D16/208
D804,408 S * 12/2017 Cho D13/103

* cited by examiner

Primary Examiner — Bridget L Eland

(74) *Attorney, Agent, or Firm* — Birch, Stewart, Kolasch & Birch, LLP

(57) **CLAIM**

The ornamental design for a camera module for mobile phone, as shown and described.

DESCRIPTION

FIG. 1 is a perspective view of a camera module for mobile phone showing our new design; FIG. 2 is a front view thereof; FIG. 3 is a rear view thereof; FIG. 4 is a left side view thereof; FIG. 5 is a right side view thereof; FIG. 6 is a top plan view thereof; FIG. 7 is a bottom plan view thereof; FIG. 8 is another perspective view thereof, shown with environment; and, FIG. 9 is another front view thereof, shown with environment.

The broken lines immediately adjacent to the claim, encompassing unshaded regions, represent the bounds of the claimed design while all other broken lines, including the broken lines in FIG. 8 and FIG. 9 and the dot-dot-dash broken lines in FIG. 9, are directed to environment and are for illustrative purposes only; the broken lines form no part of the claimed design.

1 Claim, 9 Drawing Sheets

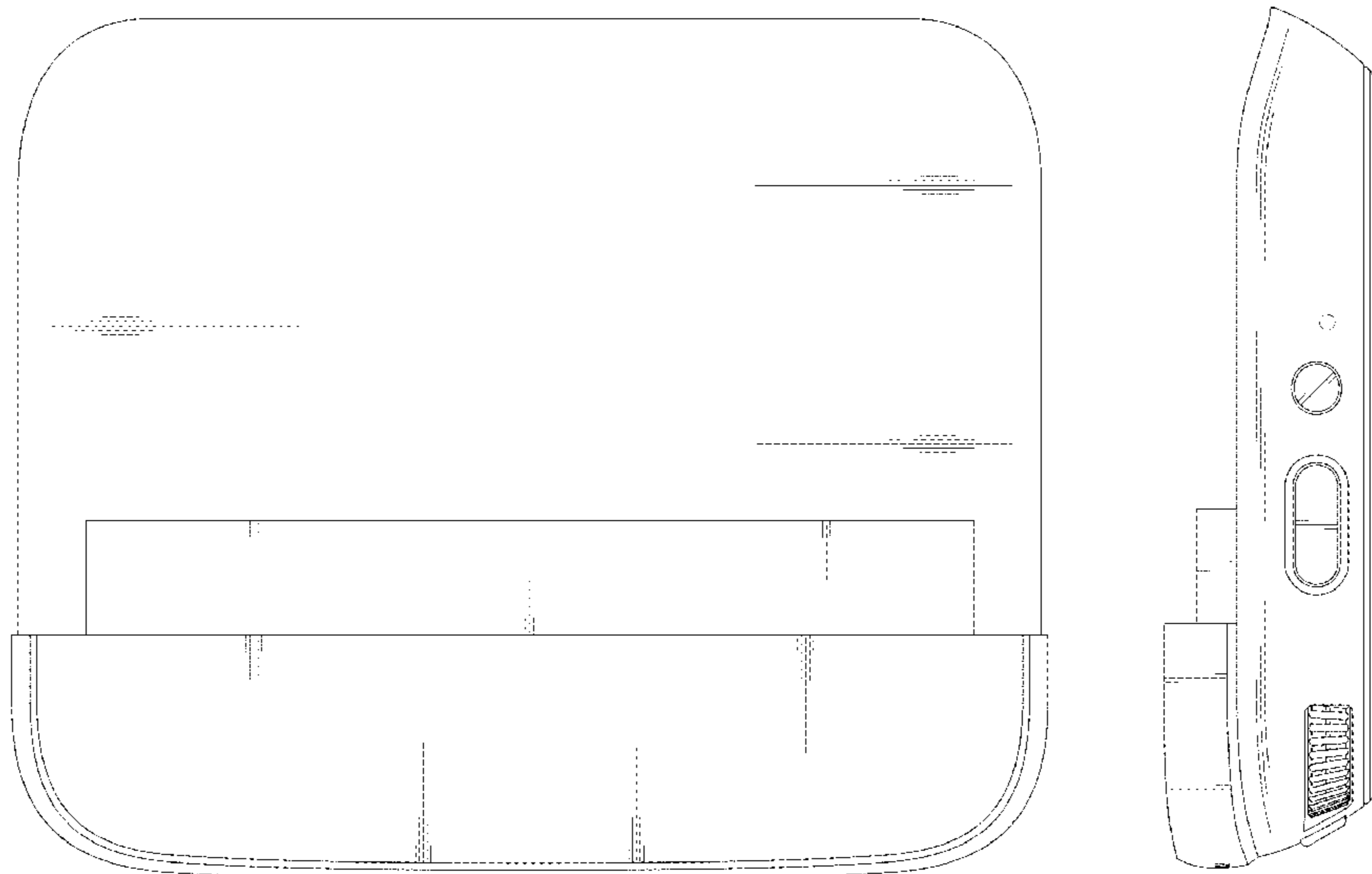


FIG. 1

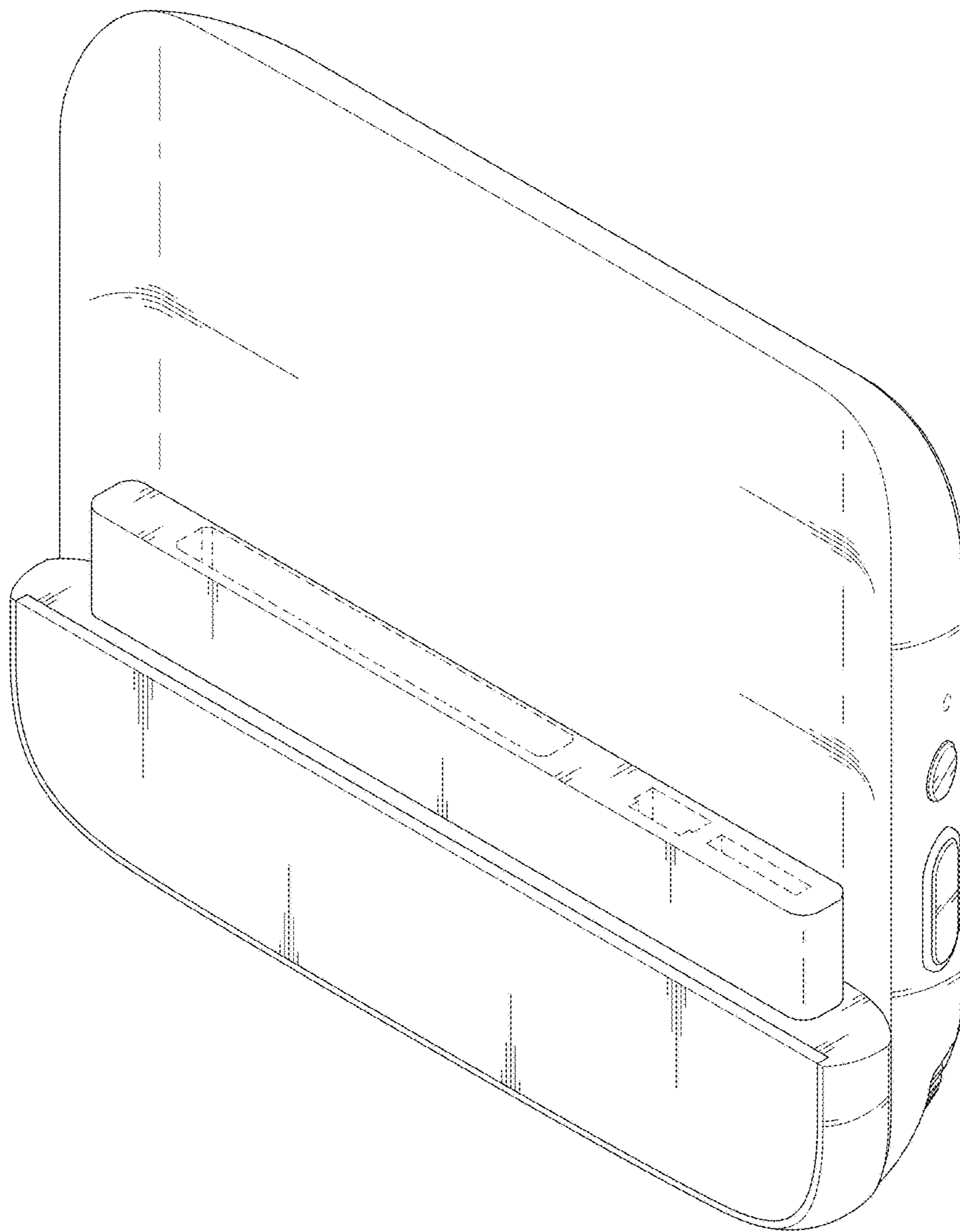


FIG. 2

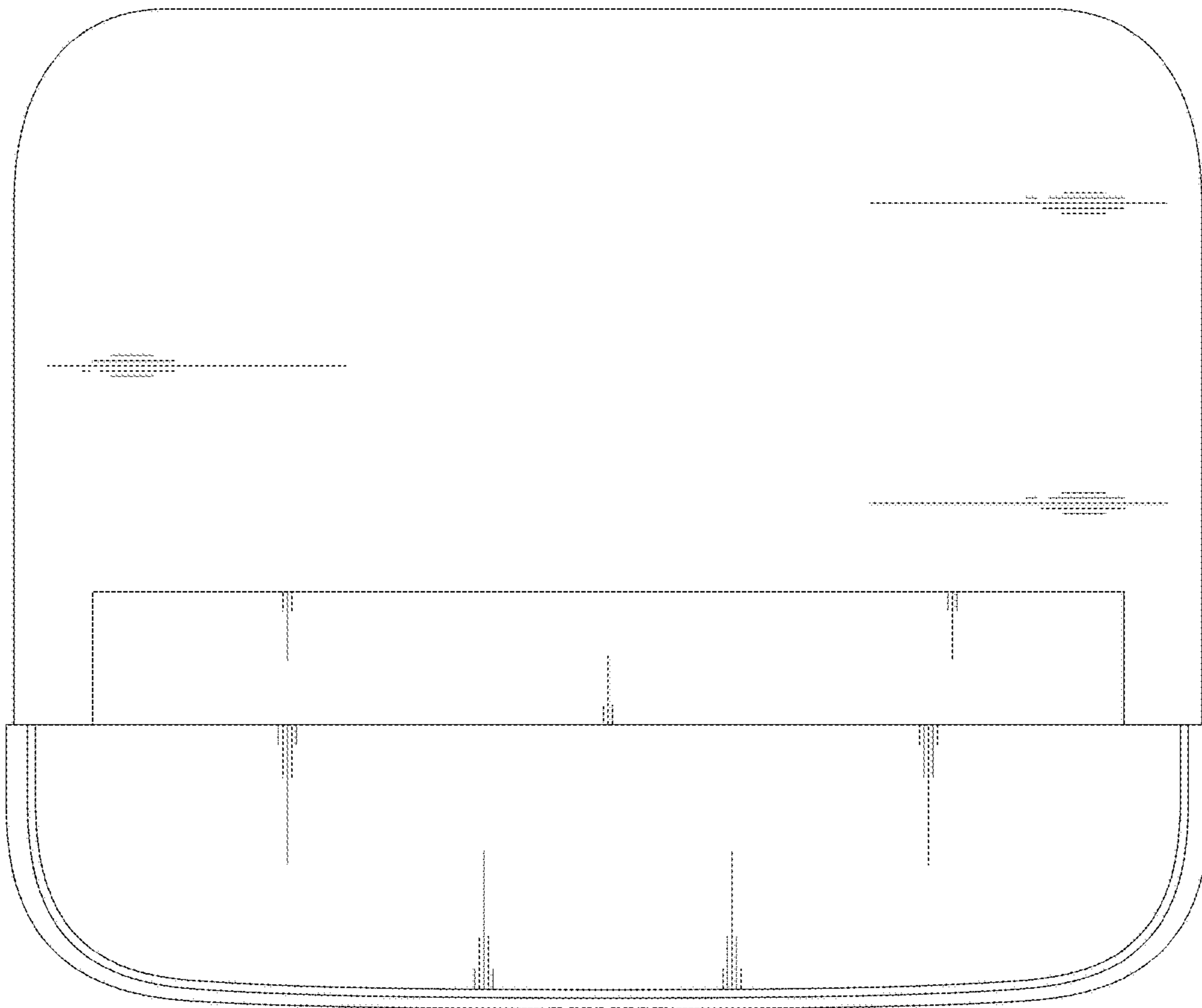


FIG. 3

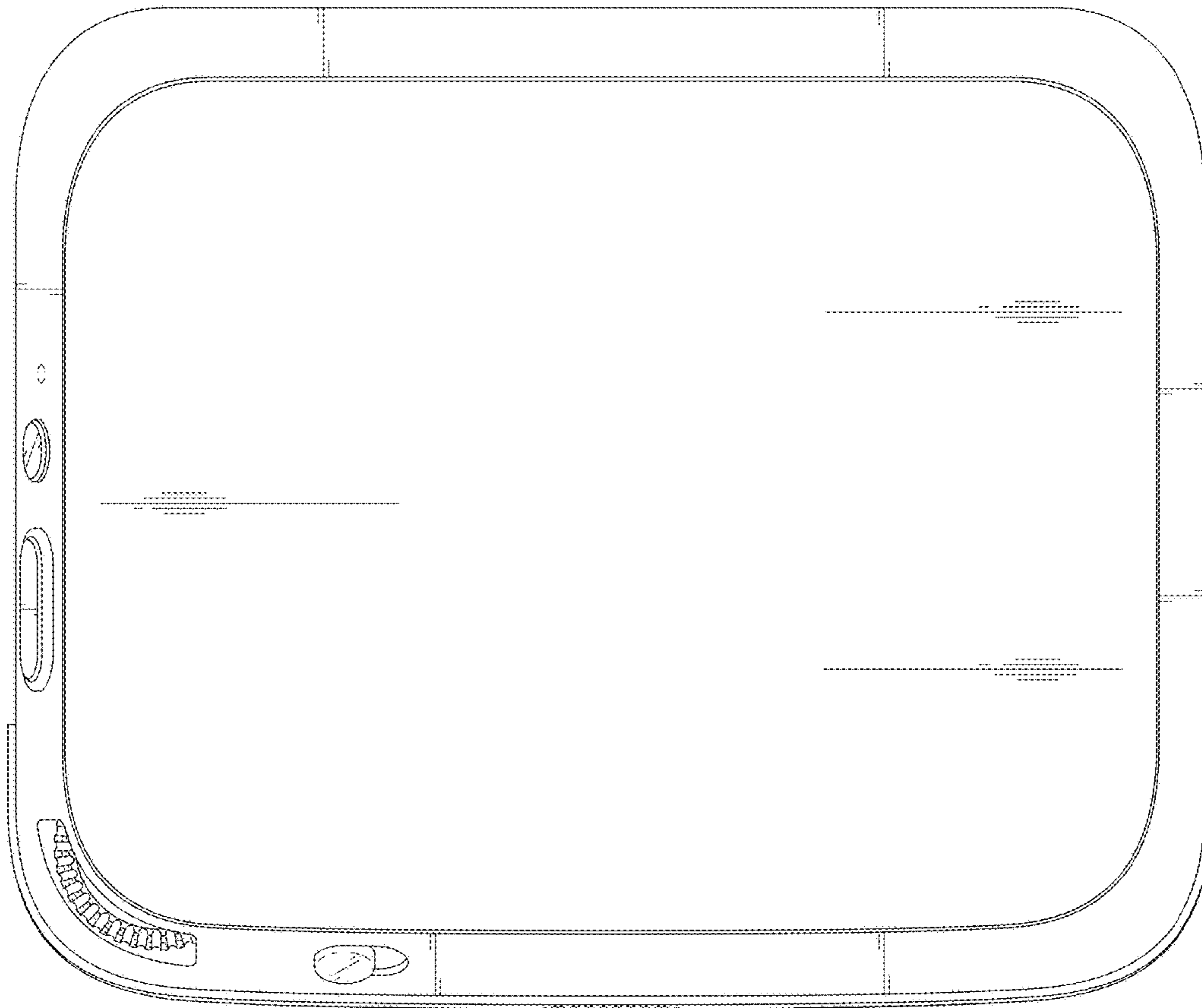


FIG. 4

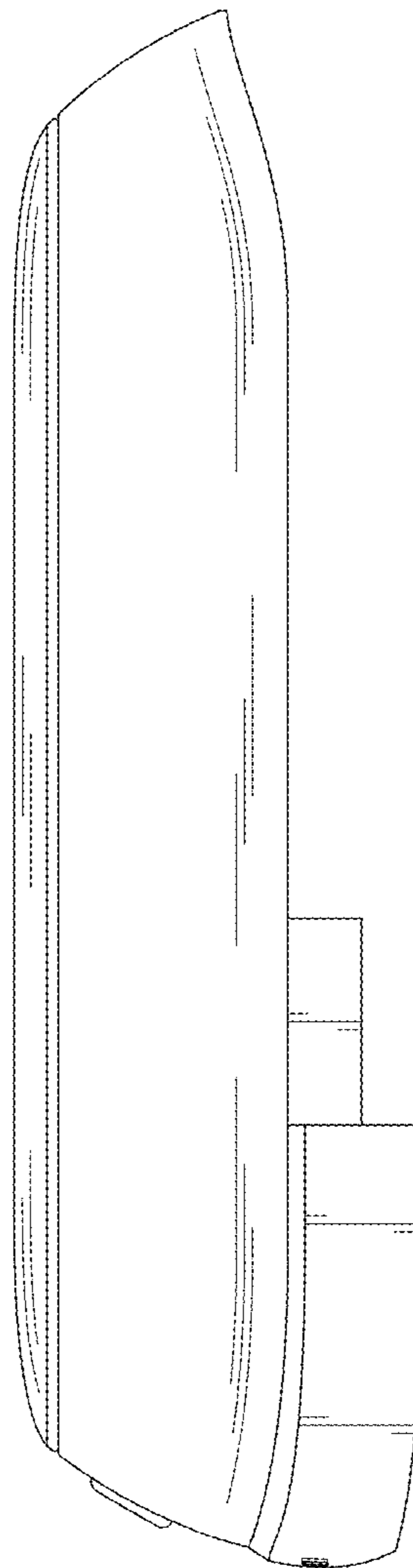


FIG. 5

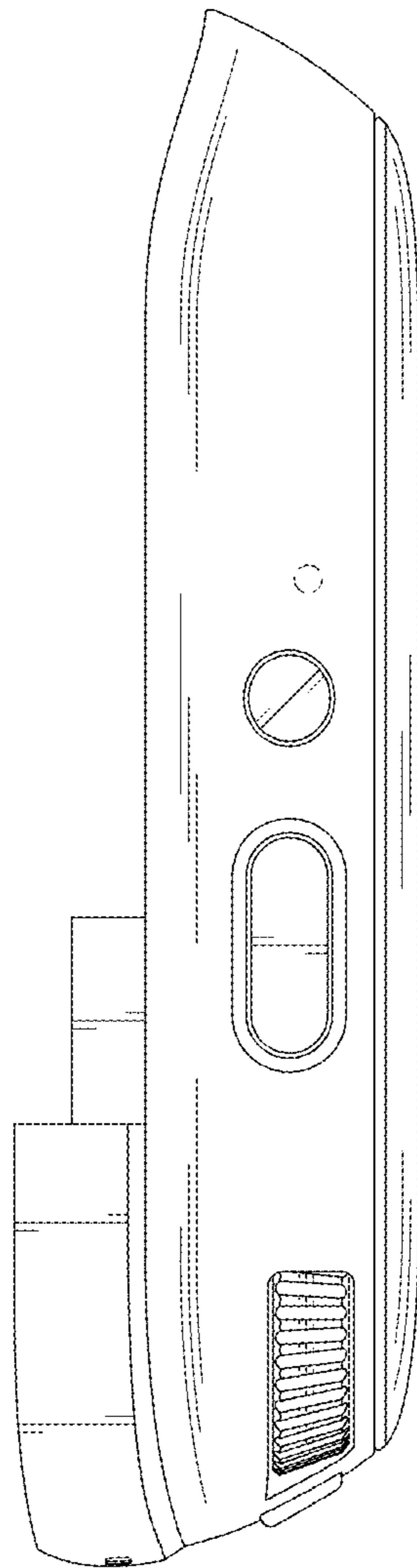


FIG. 6

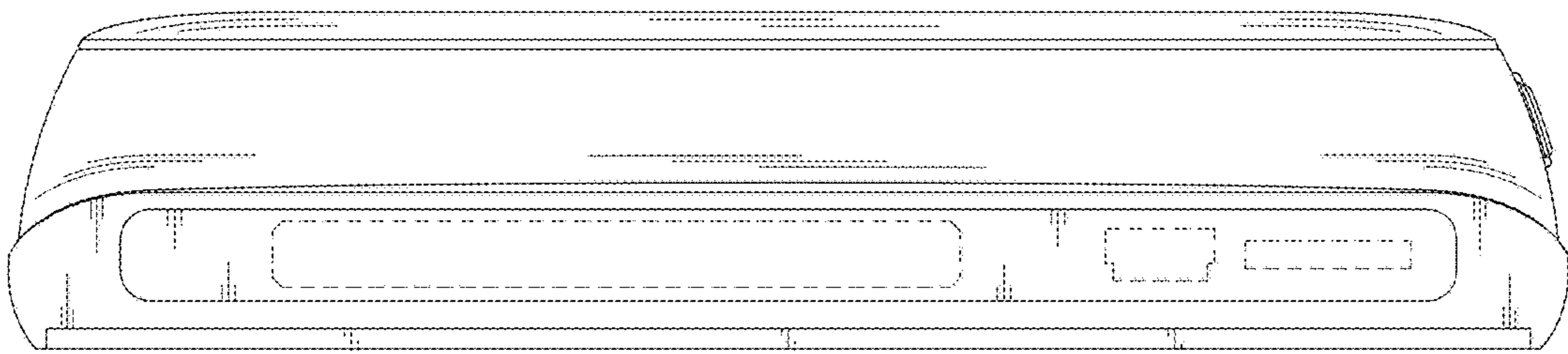


FIG. 7

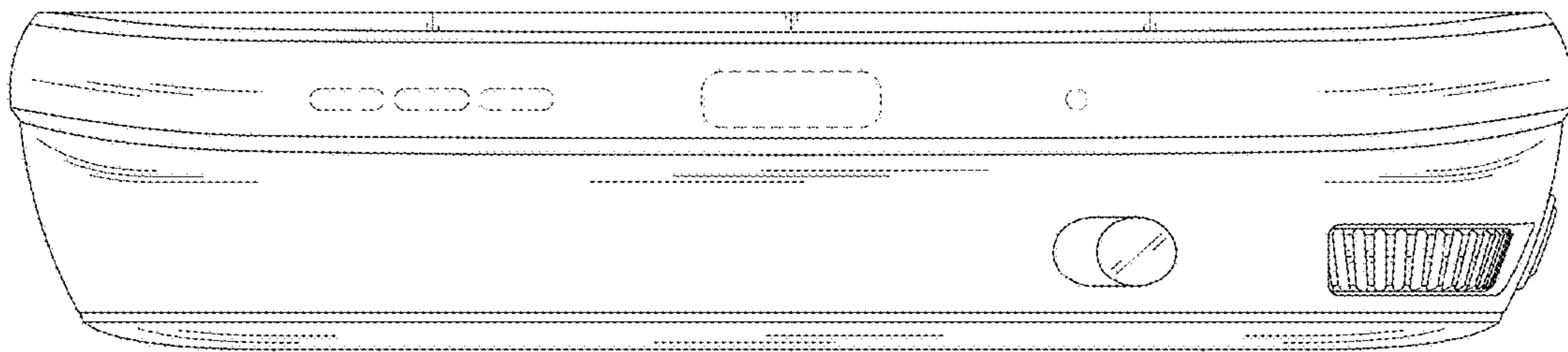


FIG. 8

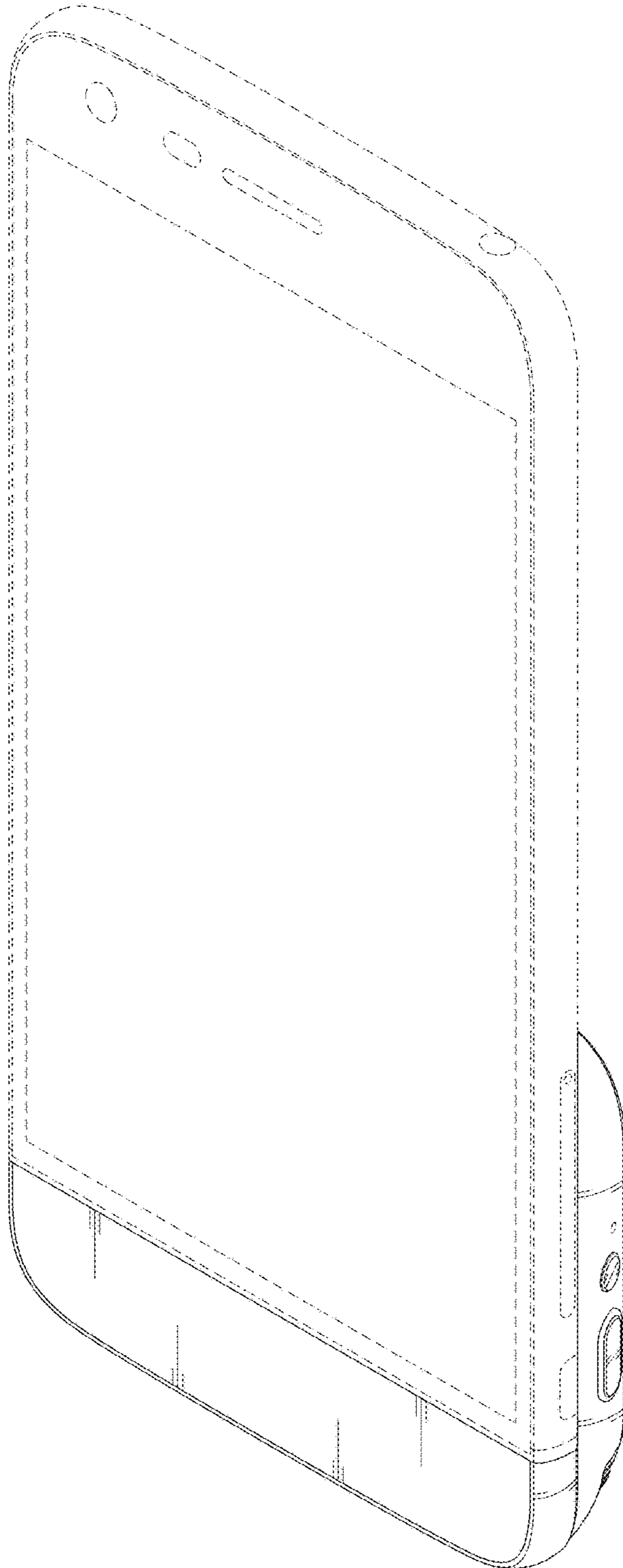


FIG. 9

