



US00D826222S

(12) **United States Design Patent** (10) **Patent No.:** **US D826,222 S**  
**Seo et al.** (45) **Date of Patent:** **\*\* Aug. 21, 2018**

(54) **STAND FOR TV RECEIVER**

(56) **References Cited**

(71) Applicant: **LG ELECTRONICS INC.**, Seoul (KR)

U.S. PATENT DOCUMENTS

(72) Inventors: **Minji Seo**, Seoul (KR); **Sangik Lee**, Seoul (KR); **Byungmu Huh**, Seoul (KR)

D393,461	S	*	4/1998	Goto	.....	D14/126
D416,549	S	*	11/1999	Coster	.....	D14/126
D482,039	S	*	11/2003	Chen	.....	D14/447
D533,170	S	*	12/2006	Yamamoto	.....	D14/239
D548,226	S	*	8/2007	Ohba	.....	D14/239
D548,228	S	*	8/2007	Tanigawa	.....	D14/239
D548,229	S	*	8/2007	Tanigawa	.....	D14/239
D548,486	S	*	8/2007	Niitsu	.....	D6/675
D549,673	S	*	8/2007	Niitsu	.....	D14/126
7,287,729	B2	*	10/2007	Jung	.....	F16M 11/10

(73) Assignee: **LG ELECTRONICS INC.**, Seoul (KR)

D562,811	S	*	2/2008	Asanunna	.....	D14/239
D609,659	S	*	2/2010	VanDuyn	.....	D14/126
7,748,680	B2	*	7/2010	Choi	.....	F16M 11/10

(\*\*) Term: **15 Years**

(21) Appl. No.: **35/503,004**

D634,722	S	*	3/2011	Kim	.....	D14/126
D659,661	S	*	5/2012	Lim	.....	D14/126
D661,273	S	*	6/2012	Chu	.....	D14/126
D663,705	S	*	7/2012	Park	.....	D14/126
D663,729	S	*	7/2012	Lee	.....	D14/374
D671,084	S	*	11/2012	Kim	.....	D14/126
D675,175	S	*	1/2013	Kim	.....	D14/126
D681,614	S	*	5/2013	Masui	.....	D14/239
D691,102	S	*	10/2013	Park	.....	D14/126
D699,230	S	*	2/2014	Chen	.....	D14/239

(22) Filed: **Nov. 15, 2016**

(80) **Hague Agreement Data**

Int. Filing Date: **Nov. 15, 2016**

Int. Reg. No.: **DM/093653**

Int. Reg. Date: **Nov. 15, 2016**

Int. Reg. Pub. Date: **May 19, 2017**

(Continued)

(30) **Foreign Application Priority Data**

May 24, 2016 (KR) ..... 30-2016-0024862

(51) **LOC (11) Cl.** ..... **14-03**

(52) **U.S. Cl.**

USPC ..... **D14/239**

CPC ..... **G06F 1/1601** (2013.01)

(58) **Field of Classification Search**

USPC ..... D14/125-134, 239, 371, 136, 374-377, D14/440, 450, 448, 336, 342, 159; D21/329, 515, 577, 622, 333, 433, 448, D21/452, 450, 331, 505

CPC ... G06F 1/1601; G06F 1/1643; H05K 5/0004; H05K 5/0017; H05K 5/02; H05K 5/0217

See application file for complete search history.

*Primary Examiner* — Richard E Chilcot

(74) *Attorney, Agent, or Firm* — Birch, Stewart, Kolasch & Birch, LLP

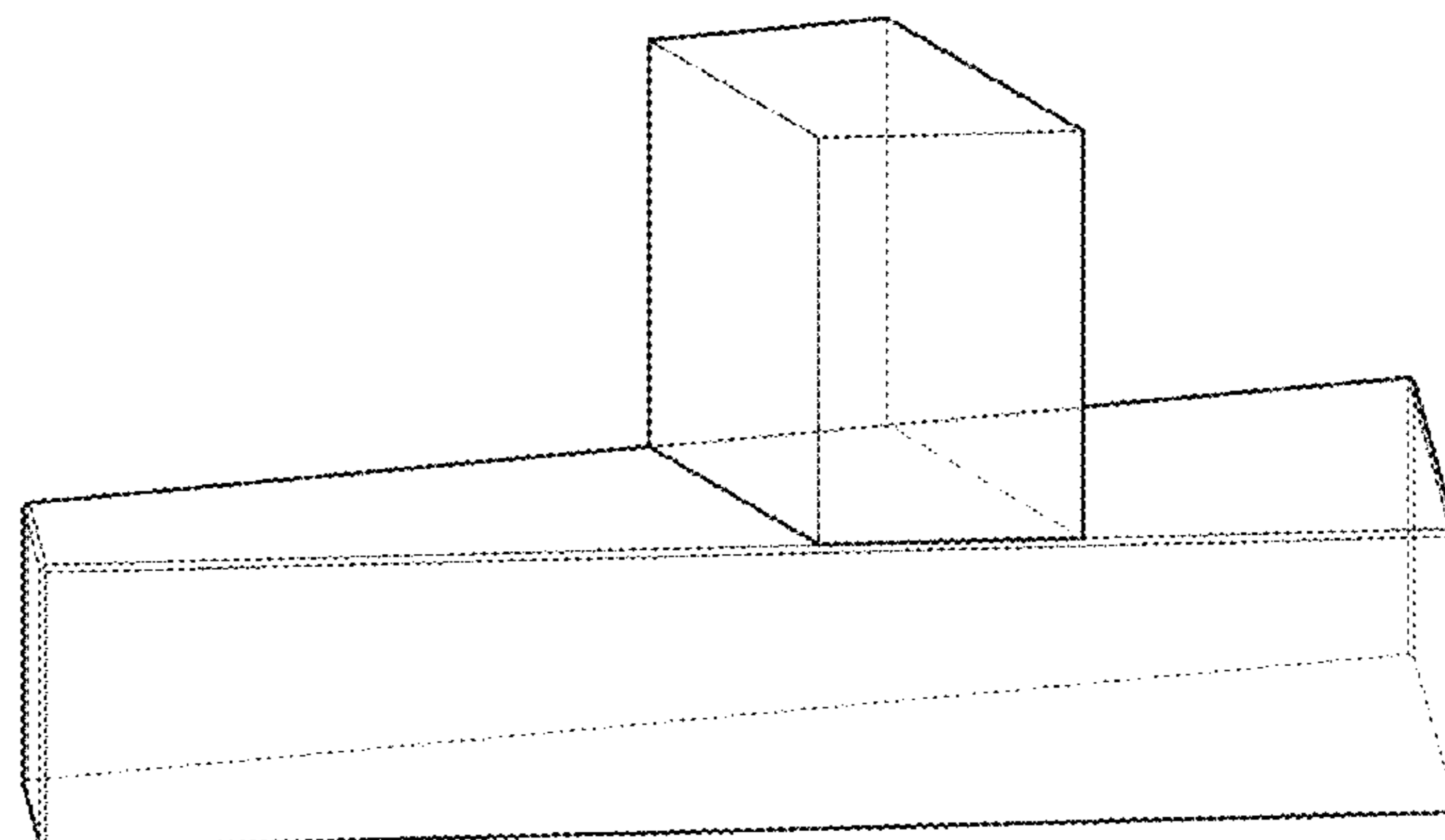
(57) **CLAIM**

The ornamental design for a stand for TV receiver, as shown and described.

**DESCRIPTION**

- 1. Stand for TV receiver
- 1.1 : Perspective
- 1.2 : Front
- 1.3 : Back
- 1.4 : Left
- 1.5 : Right
- 1.6 : Top
- 1.7 : Bottom

**1 Claim, 7 Drawing Sheets**



(56)

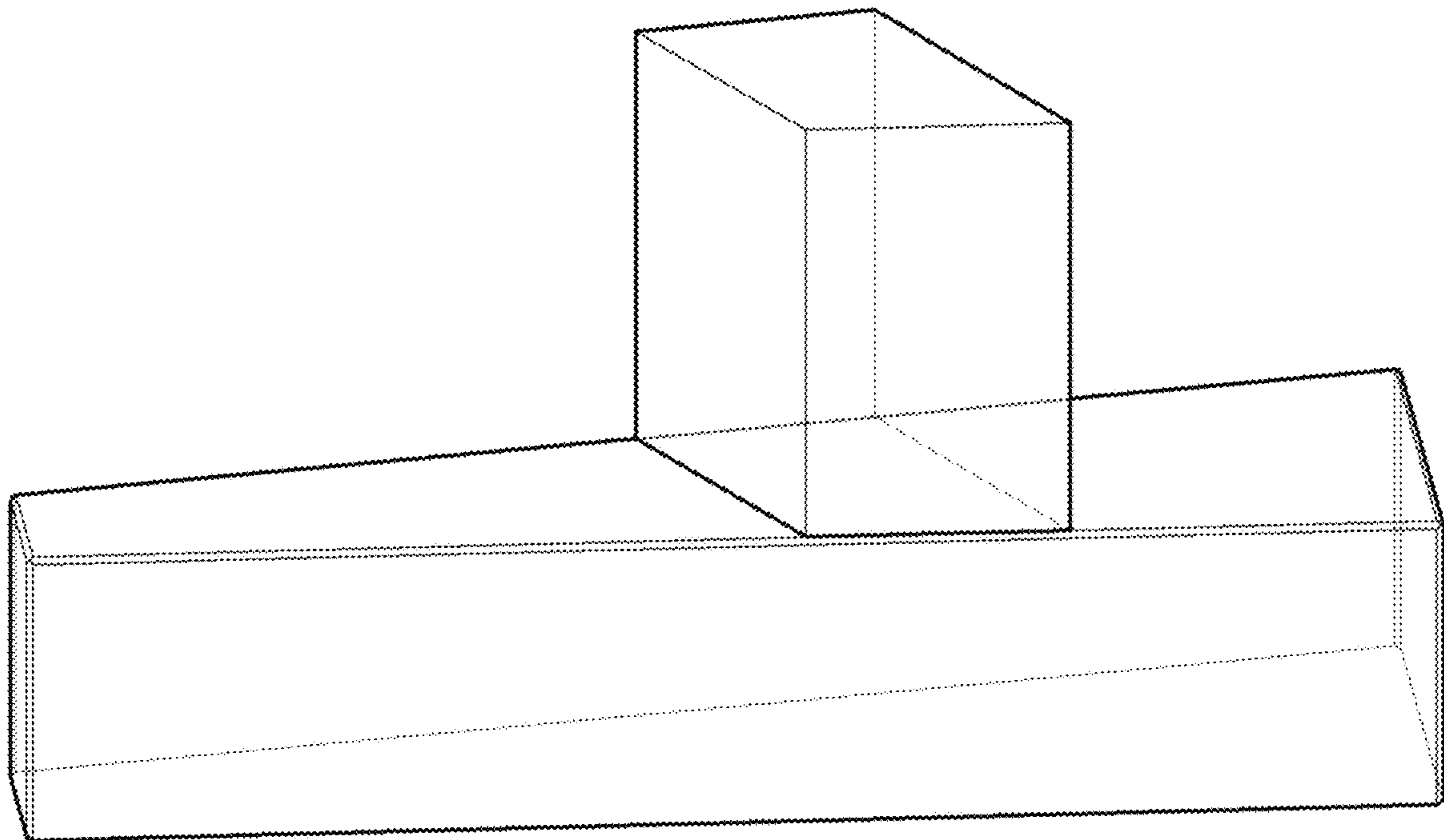
**References Cited**

U.S. PATENT DOCUMENTS

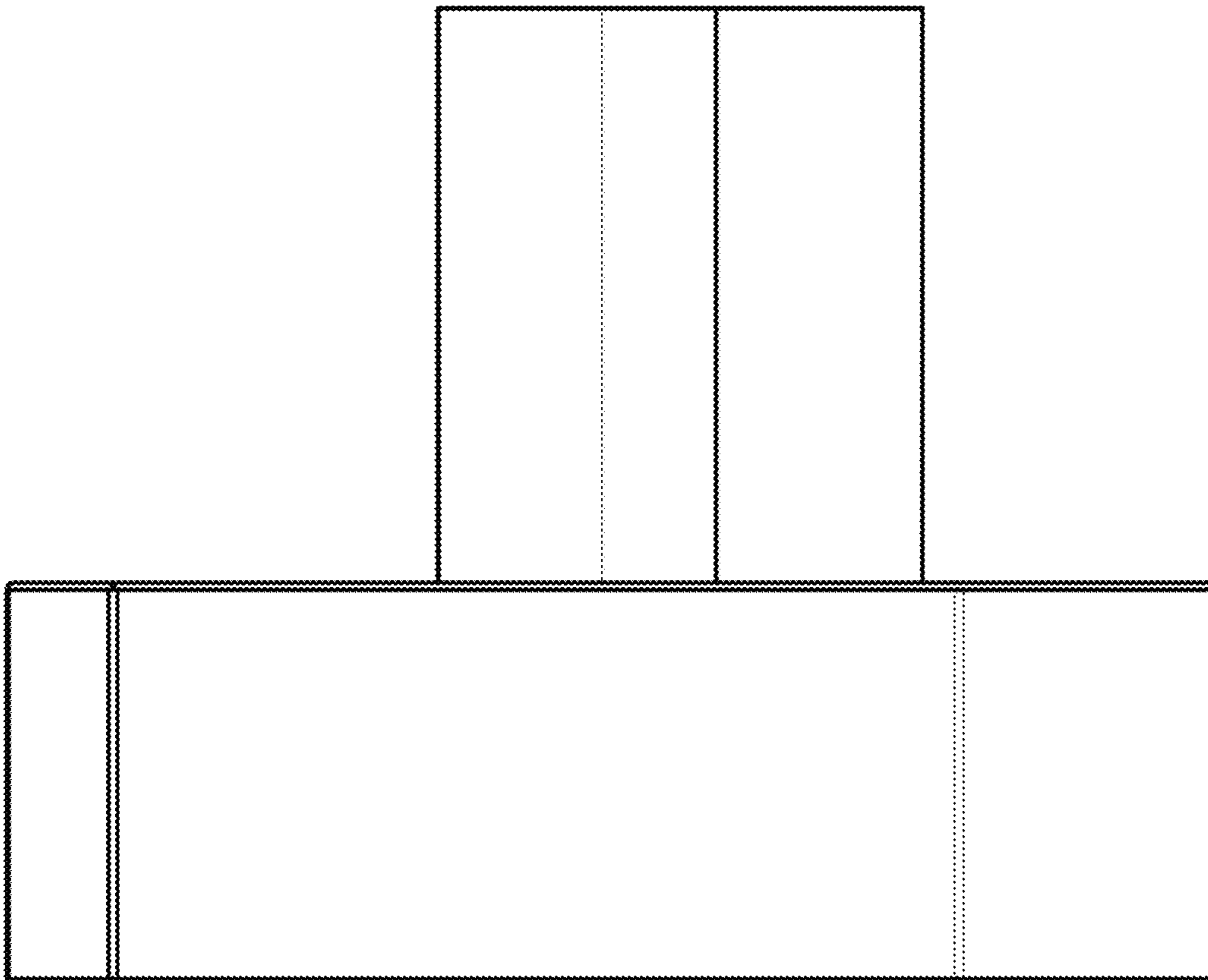
D699,232 S *	2/2014	Jung .....	D14/239
D712,905 S *	9/2014	Miyazaki .....	D14/447
D728,537 S *	5/2015	Choi .....	D14/239
D735,154 S *	7/2015	Kim .....	D14/126
D737,258 S *	8/2015	Ryu .....	D14/239
D739,390 S *	9/2015	Lee .....	D14/239
D745,496 S *	12/2015	Gao .....	D14/239
D762,625 S *	8/2016	Yoo .....	D14/126
D768,119 S *	10/2016	Kim .....	D14/239
D805,504 S *	12/2017	Seo .....	D14/239

\* cited by examiner

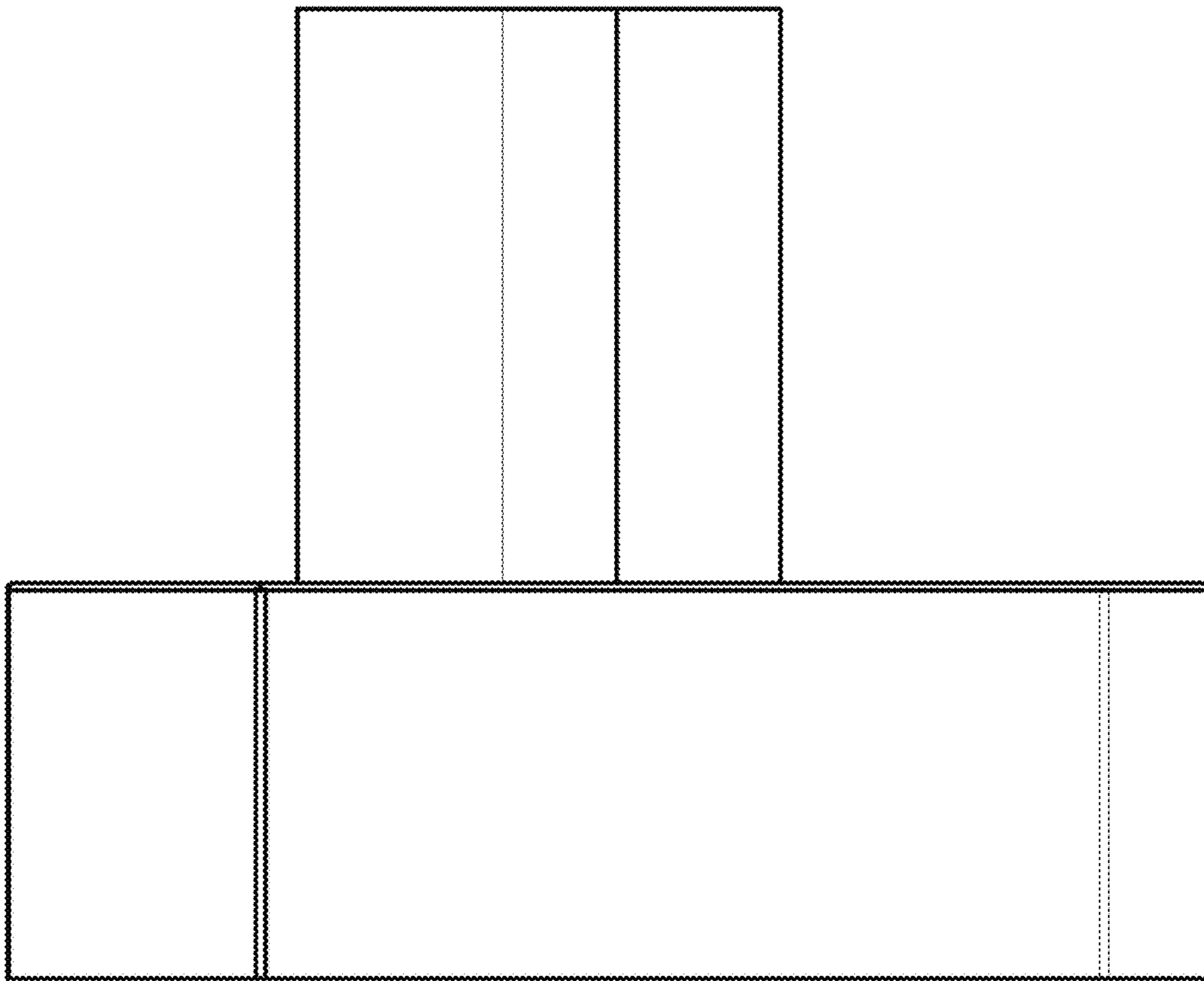
1.1



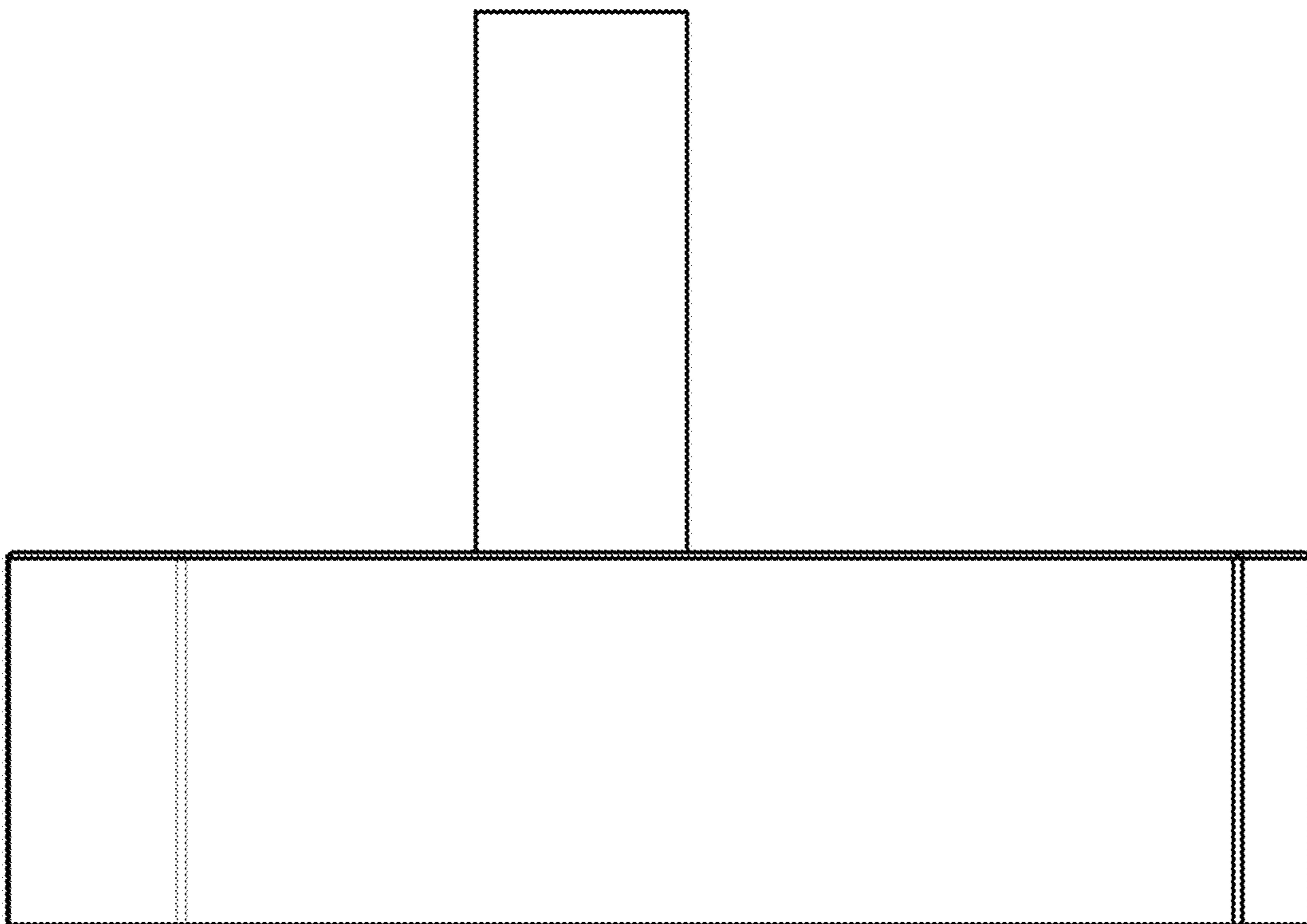
1.2



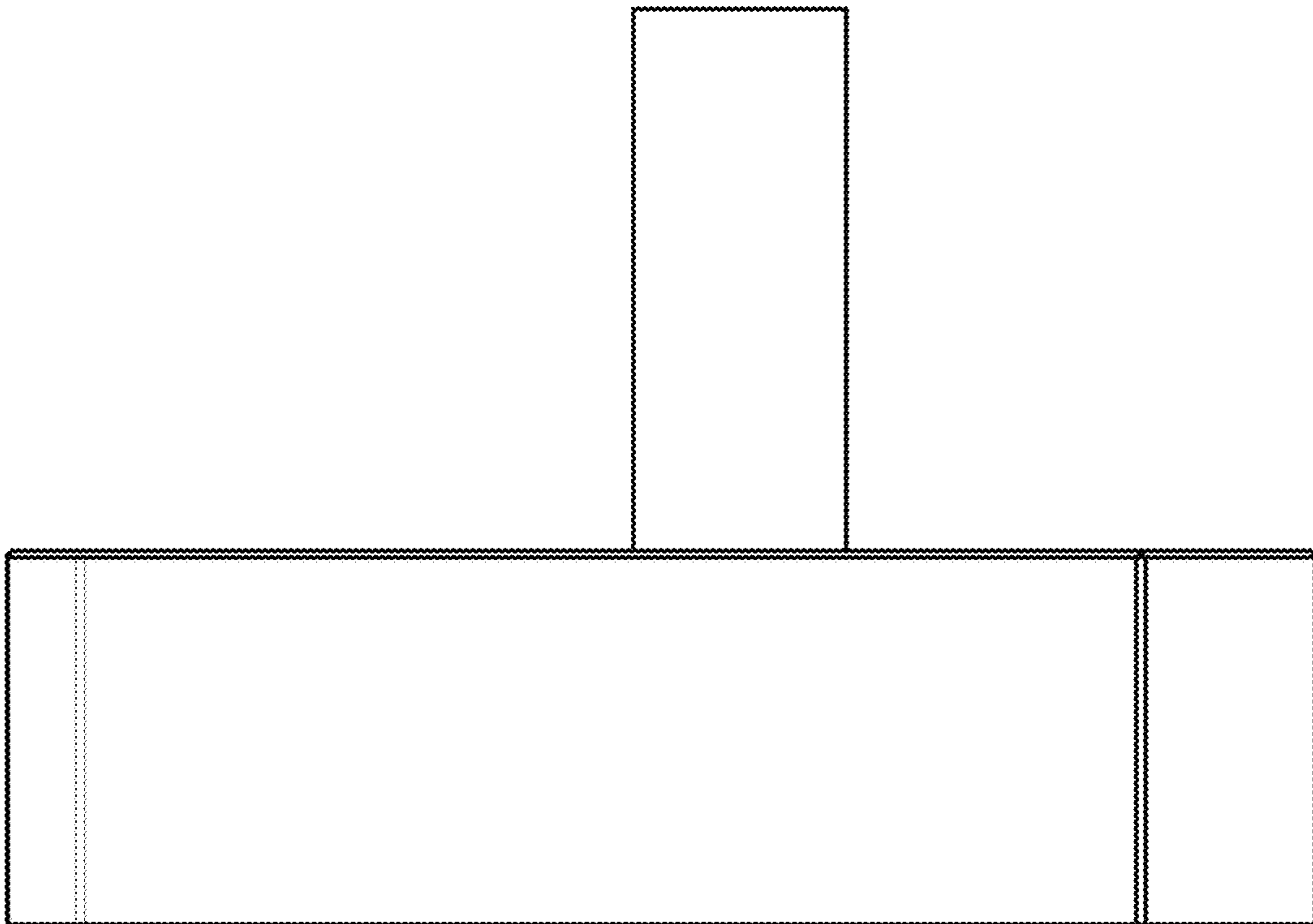
1.3



1.4



1.5



1.6

