

US00D826219S

(12) **United States Design Patent**
Kobayashi

(10) **Patent No.:** **US D826,219 S**

(45) **Date of Patent:** **** Aug. 21, 2018**

(54) **LOW PROFILE ANTENNA FOR A VEHICLE**

(71) Applicant: **HARADA INDUSTRY CO., LTD.**,
Shinagawa-ku, Tokyo (JP)

(72) Inventor: **Hidekazu Kobayashi**, Tokyo (JP)

(73) Assignee: **HARADA INDUSTRY CO., LTD.**,
Tokyo (JP)

(**) Term: **15 Years**

(21) Appl. No.: **29/611,183**

(22) Filed: **Jul. 19, 2017**

(30) **Foreign Application Priority Data**

Jan. 31, 2017 (JP) 2017-001621

(51) **LOC (11) Cl.** **14-03**

(52) **U.S. Cl.**
USPC **D14/230**

(58) **Field of Classification Search**

USPC D14/230-238, 203.6, 204, 216, 221,
D14/238.1, 240, 242, 299, 343, 358, 509;
343/713

CPC H01Q 7/00; H01Q 13/10; H01Q 9/285;
H01Q 19/30; H01Q 19/12; H01Q 1/36;
H01Q 1/38; H01Q 1/0475; H01Q 1/034;
H05K 11/00; G05D 1/0234; G06K
19/07749

See application file for complete search history.

(56) **References Cited**

U.S. PATENT DOCUMENTS

D429,720 S * 8/2000 Strand D14/230
D461,796 S * 8/2002 Boyer D14/230
D465,480 S * 11/2002 Boyer D14/230
D519,991 S * 5/2006 Chapman D14/230
7,333,065 B2 * 2/2008 Lindackers H01Q 1/3275
343/713
D581,909 S * 12/2008 Jeong D14/230

D640,181 S * 6/2011 Calvin D12/345
D675,601 S * 2/2013 Huet D14/230
D681,018 S * 4/2013 Hakamata D14/230

(Continued)

OTHER PUBLICATIONS

“Suppliers tune in to antenna boom,” 3rd antenna pictured therein, autonews online, post date Jan. 20, 2014, <URL: <http://www.autonews.com/article/20140120/OEM10/301209998/suppliers-tune-in-to-antenna-boom>>, [site visited May 22, 2018].*

Primary Examiner — Jeffrey D Asch
Assistant Examiner — Rebekah A Caruso

(57) **CLAIM**

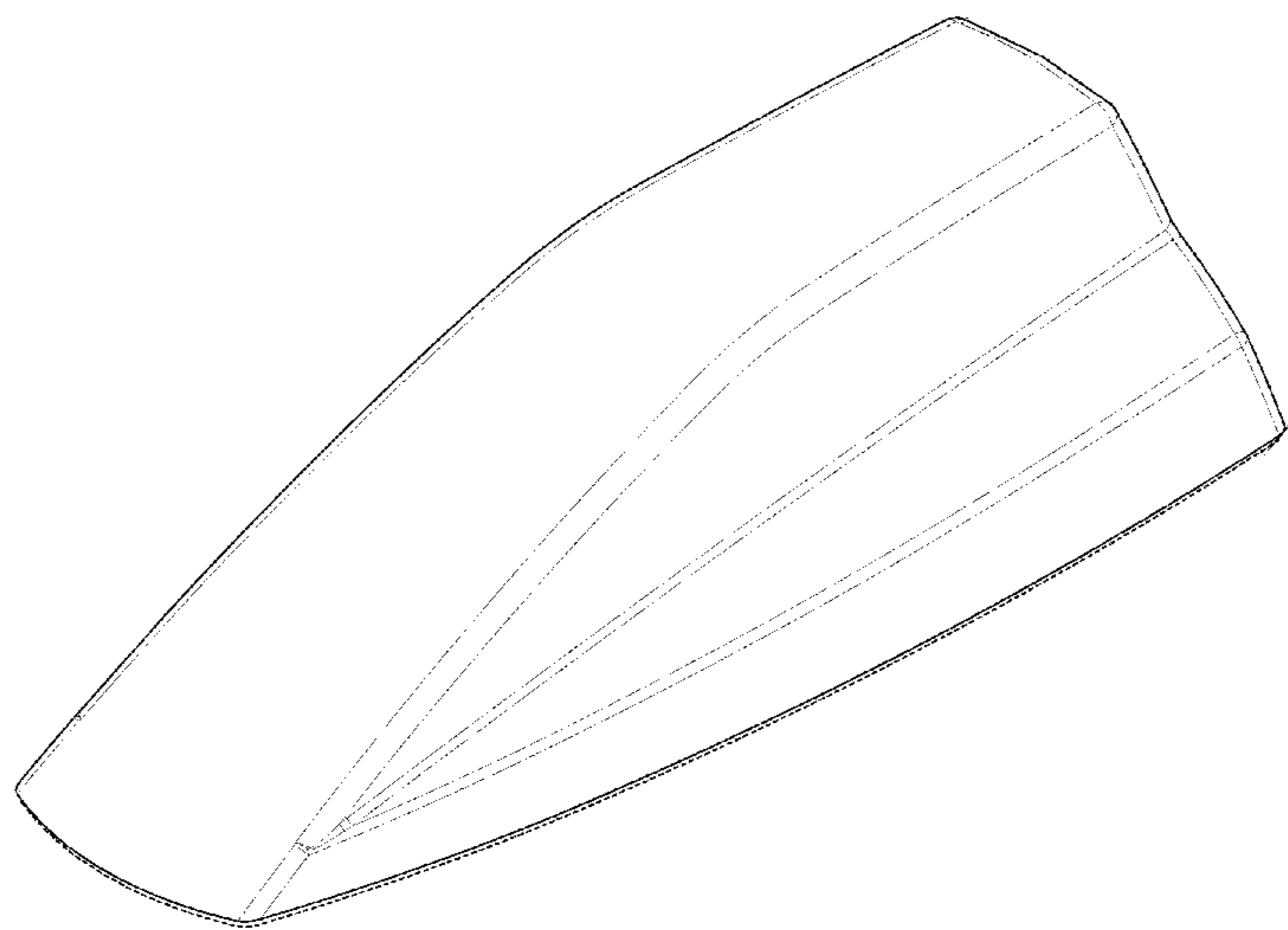
The ornamental design for a low profile antenna for a vehicle, as shown and described.

DESCRIPTION

FIG. 1 is a front perspective view of a low profile antenna for a vehicle in accordance with my new design;
FIG. 2 is a top plan view of the low profile antenna for a vehicle in accordance with my new design;
FIG. 3 is a bottom plan view of the low profile antenna for a vehicle in accordance with my new design;
FIG. 4 is a front elevational view of the low profile antenna for a vehicle in accordance with my new design;
FIG. 5 is a left side elevational view of the low profile antenna for a vehicle in accordance with my new design;
and,
FIG. 6 is a right side elevational view of the low profile antenna for a vehicle in accordance with my new design.
The rear elevational view is omitted because the rear elevational view is a mirror image of the front elevational view shown in FIG. 4.

The broken line showing of environmental structure in the drawings forms no part of the claimed design. The portions within the broken lines form no part of the claimed design.

1 Claim, 5 Drawing Sheets



(56)

References Cited

U.S. PATENT DOCUMENTS

D686,598	S *	7/2013	Yanagisawa	D14/230
8,497,807	B2 *	7/2013	Wakui	H01Q 1/3275 343/711
D703,638	S *	4/2014	Ueno	D14/230
D704,172	S *	5/2014	Kato	D14/230
8,947,307	B2 *	2/2015	Lo	H01Q 1/3275 343/711
D730,879	S *	6/2015	Kato	D14/230
D748,611	S *	2/2016	Sato	D14/230
D794,615	S *	8/2017	Quinlan	D14/230
D799,454	S *	10/2017	Lin	D14/230
D803,196	S *	11/2017	Quinlan	D14/230
2006/0273968	A1 *	12/2006	Noro	H01Q 1/3275 343/713
2012/0081253	A1 *	4/2012	Duzdar	H01Q 21/28 343/713
2014/0292593	A1 *	10/2014	Thiam	H01Q 1/3275 343/713
2016/0315378	A1 *	10/2016	Kiriyama	H01Q 1/3275
2017/0093026	A1 *	3/2017	Anderson	H01Q 1/2291

* cited by examiner

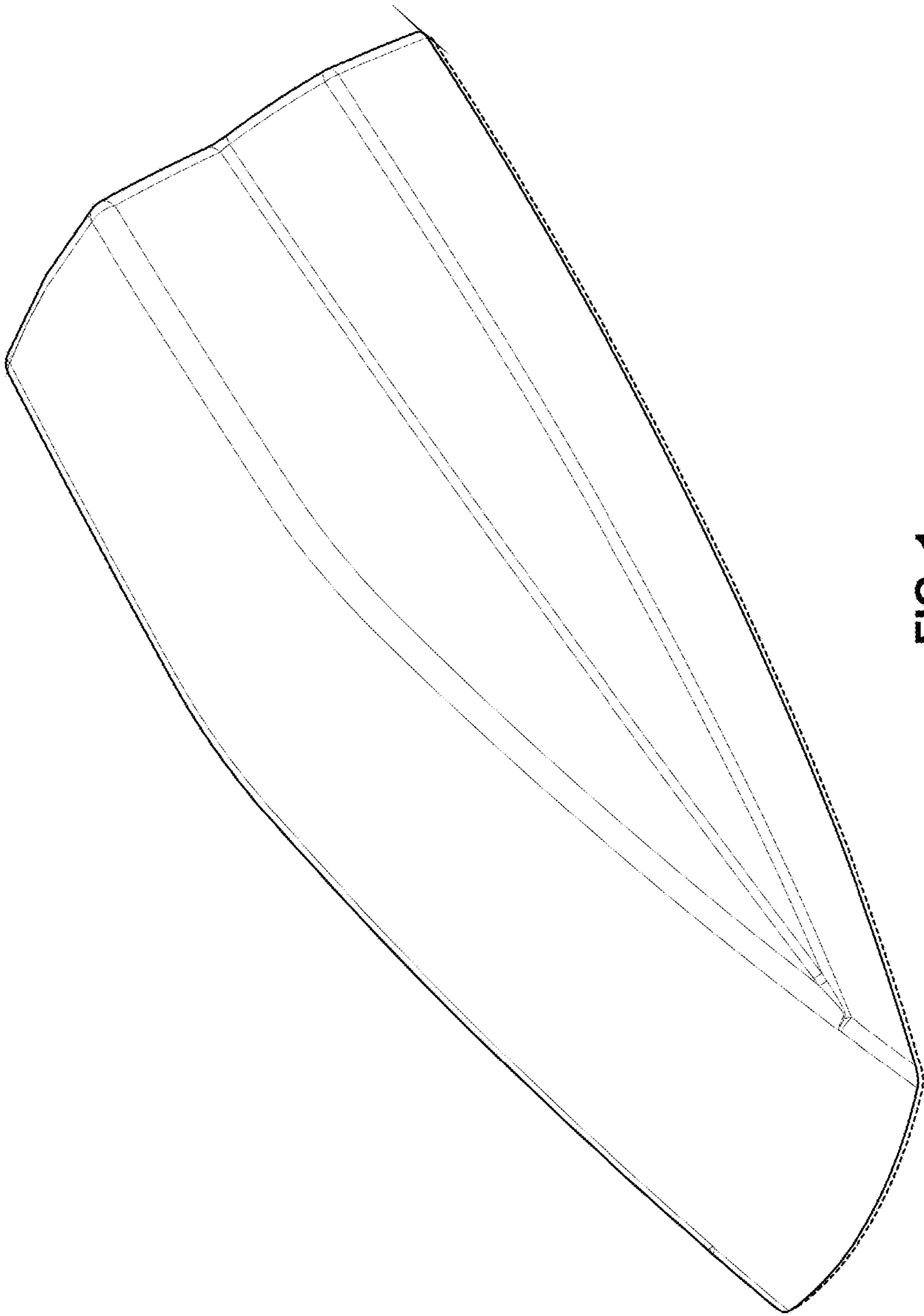


FIG. 1

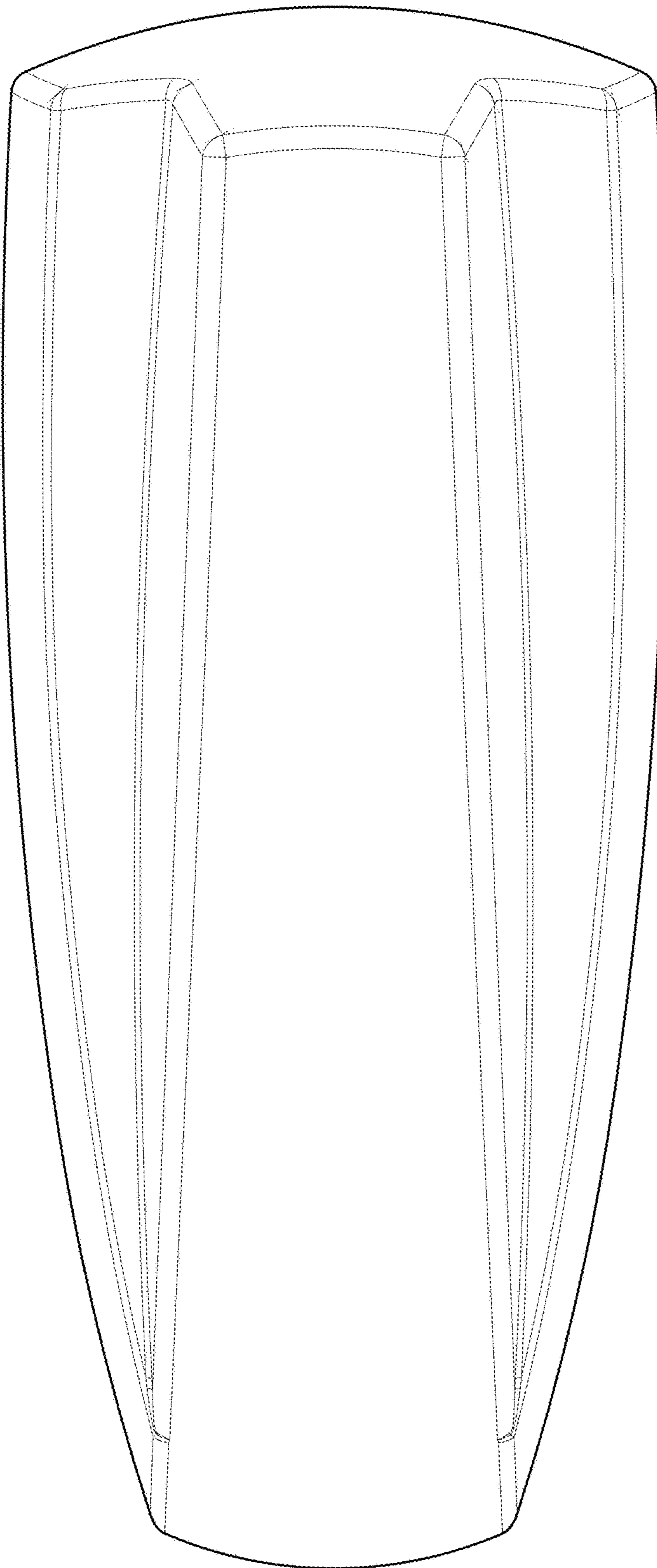


FIG. 2

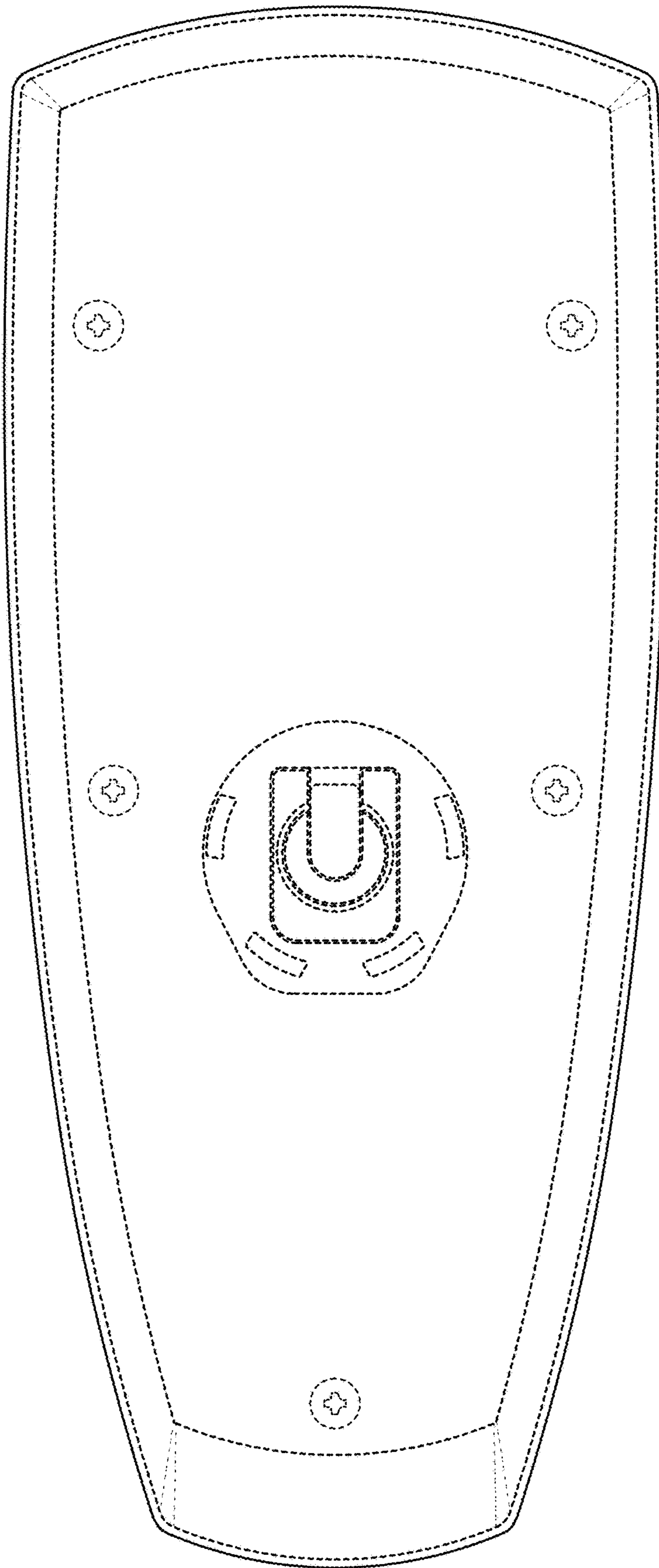


FIG. 3

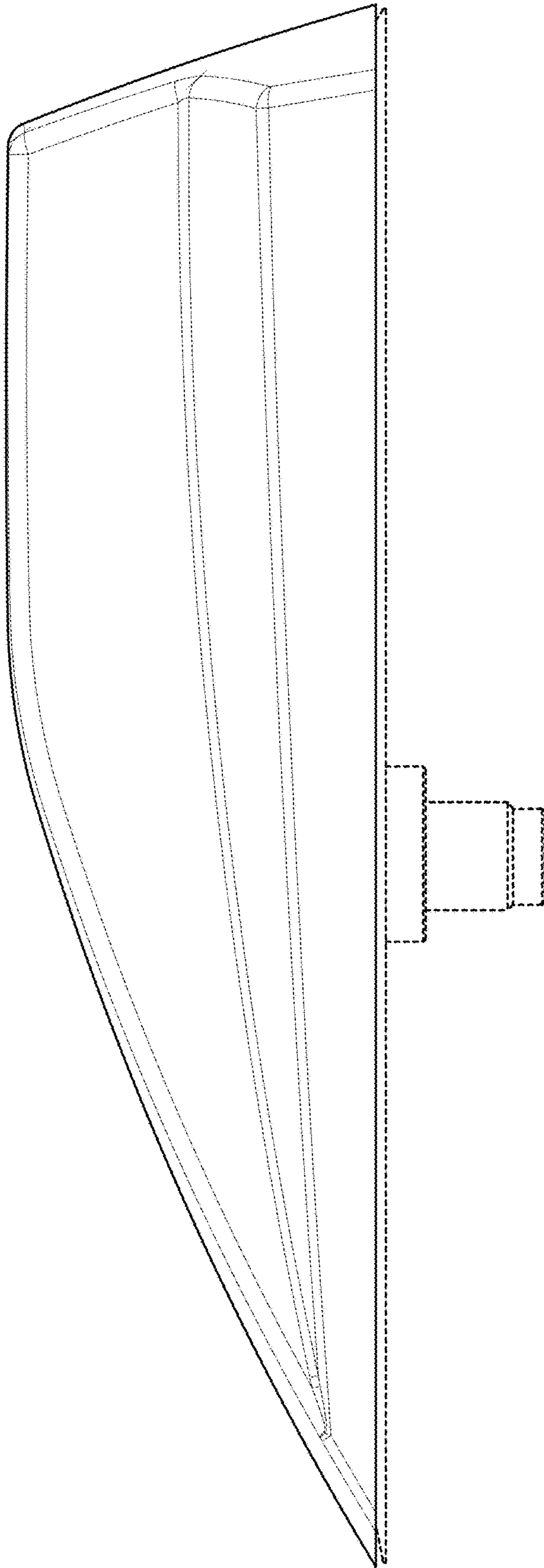


FIG. 4

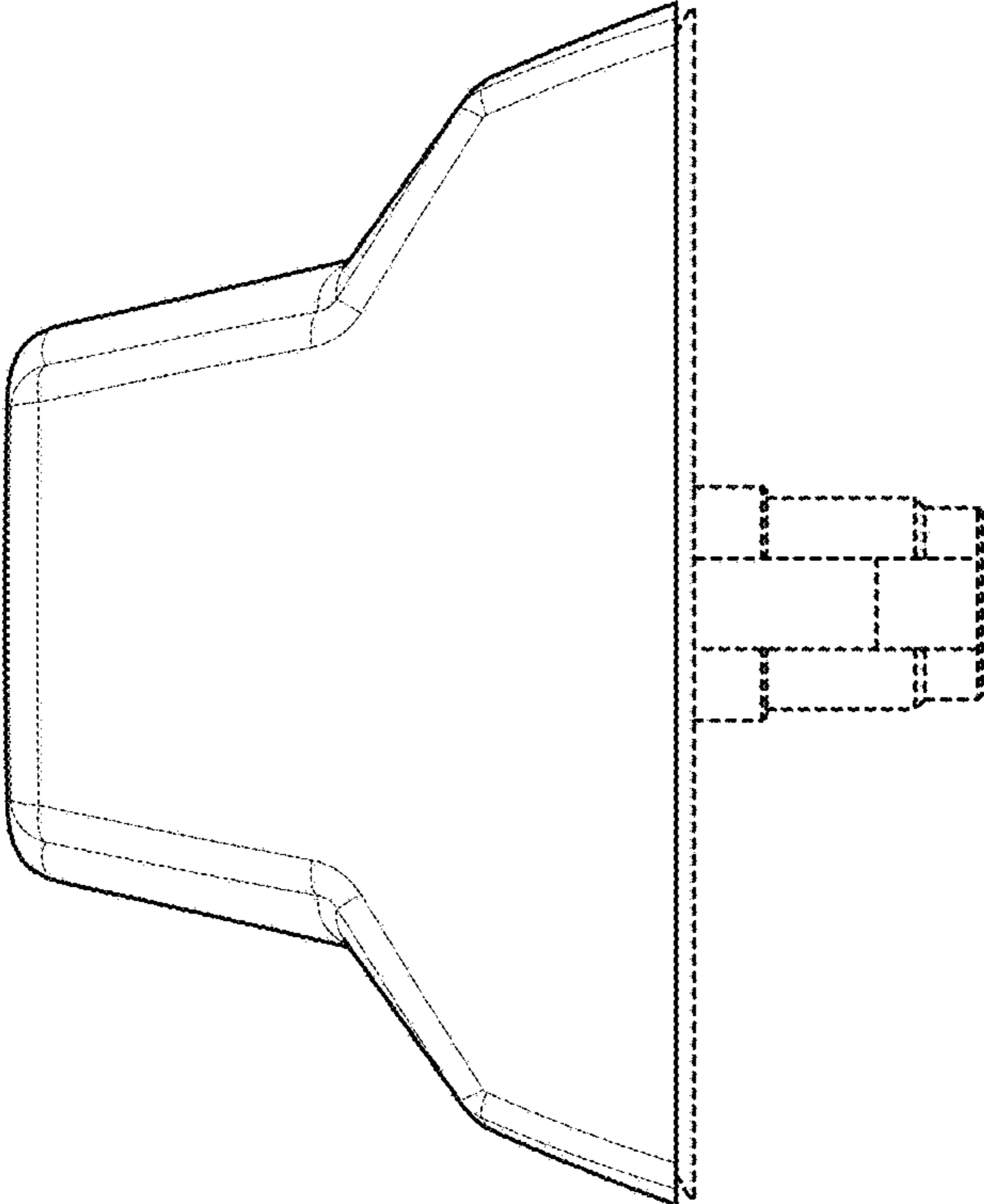


FIG. 5

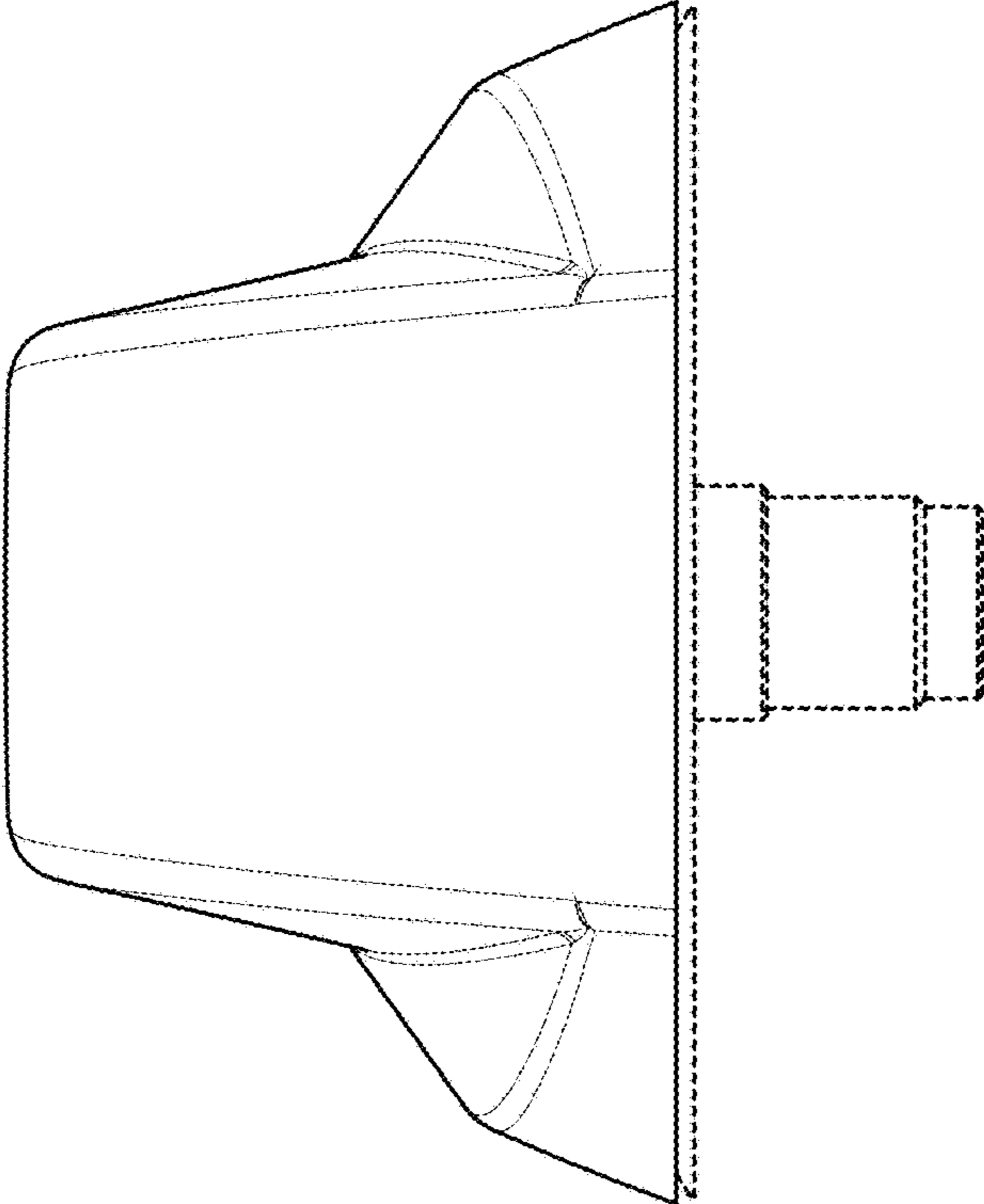


FIG. 6