



US00D826217S

(12) **United States Design Patent**
Deng et al.

(10) **Patent No.:** **US D826,217 S**
(45) **Date of Patent:** **** Aug. 21, 2018**

- (54) **EARPHONE**
- (71) Applicant: **1MORE INC.**, Nanshan District
Shenzhen, Guangdong (CN)
- (72) Inventors: **Weiweng Deng**, Guangdong (CN);
Shichen Xu, Guangdong (CN);
Kuan-Hong Hsieh, Guangdong (CN)
- (73) Assignee: **1MORE INC.**, Shenzhen (CN)
- (**) Term: **15 Years**
- (21) Appl. No.: **29/587,146**
- (22) Filed: **Dec. 9, 2016**
- (51) **LOC (11) Cl.** **14-01**
- (52) **U.S. Cl.**
USPC **D14/223**
- (58) **Field of Classification Search**
USPC D14/223, 205, 206; D24/174; 181/129,
181/130, 135; 128/864, 866, 867;
381/381, 380
CPC H04R 25/00; H04R 25/02; H04R 1/10;
H04R 1/1016; H04R 1/105; H04R
1/1083; H04R 1/1041; H04R 2420/07;
H04R 2430/01; H04R 1/02
See application file for complete search history.

- D637,181 S * 5/2011 Fuller D14/223
 - D639,280 S * 6/2011 Hayes D14/223
 - D656,922 S * 4/2012 Massaro D14/223
 - D676,427 S * 2/2013 Yang D14/223
 - D680,102 S * 4/2013 Chen D14/223
 - D691,278 S * 10/2013 Aunio D14/223
 - D702,668 S * 4/2014 Narita H04R 1/10
D14/223
 - D717,273 S * 11/2014 Thomas D14/205
 - D742,086 S * 10/2015 Pennington D32/1
- (Continued)

- (56) **References Cited**
U.S. PATENT DOCUMENTS
- D397,796 S * 9/1998 Yabe D24/174
- D435,036 S * 12/2000 Koss D14/223
- D516,058 S * 2/2006 Garcia D14/205
- D542,782 S * 5/2007 Pena Angarita D14/223
- D554,756 S * 11/2007 Sjursen D24/174
- D573,978 S * 7/2008 Ledbetter D14/205
- D576,154 S * 9/2008 Ledbetter D14/223
- D595,837 S * 7/2009 Benner D24/106
- D600,675 S * 9/2009 Lee D14/205
- D621,388 S * 8/2010 Koss D14/223
- D624,902 S * 10/2010 Kolton D14/205

OTHER PUBLICATIONS

Tech Radar—1MORE Quad Driver In-Ear Headphones, announced Jun. 13, 2017 [online], [site visited Oct. 13, 2017]. Available from Internet, URL: <<http://www.techradar.com/reviews/1more-quad-driver-in-ear-headphones>>.*

Primary Examiner — Keli L Hill
Assistant Examiner — Karra S Johnson
(74) *Attorney, Agent, or Firm* — Ladas & Parry LLP

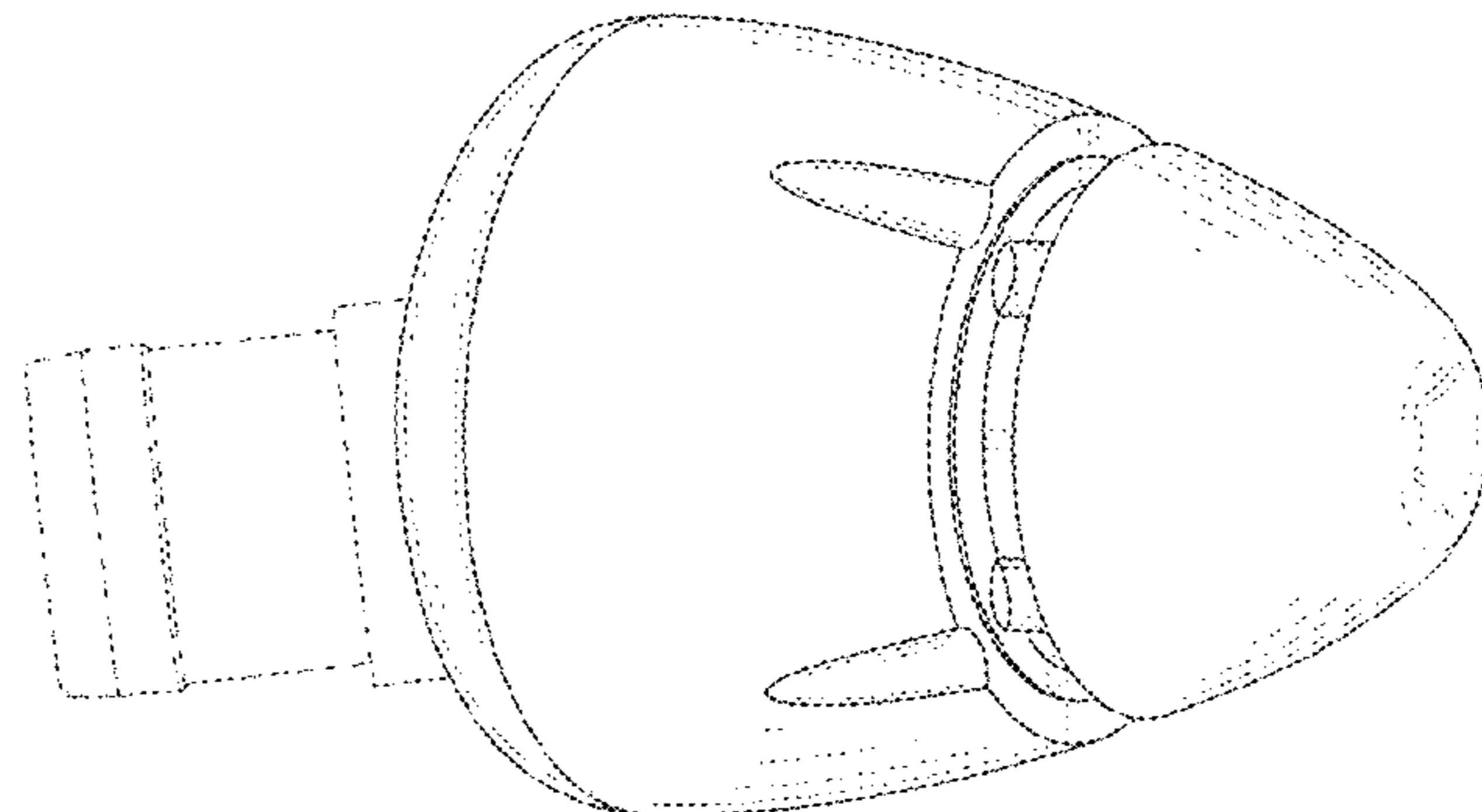
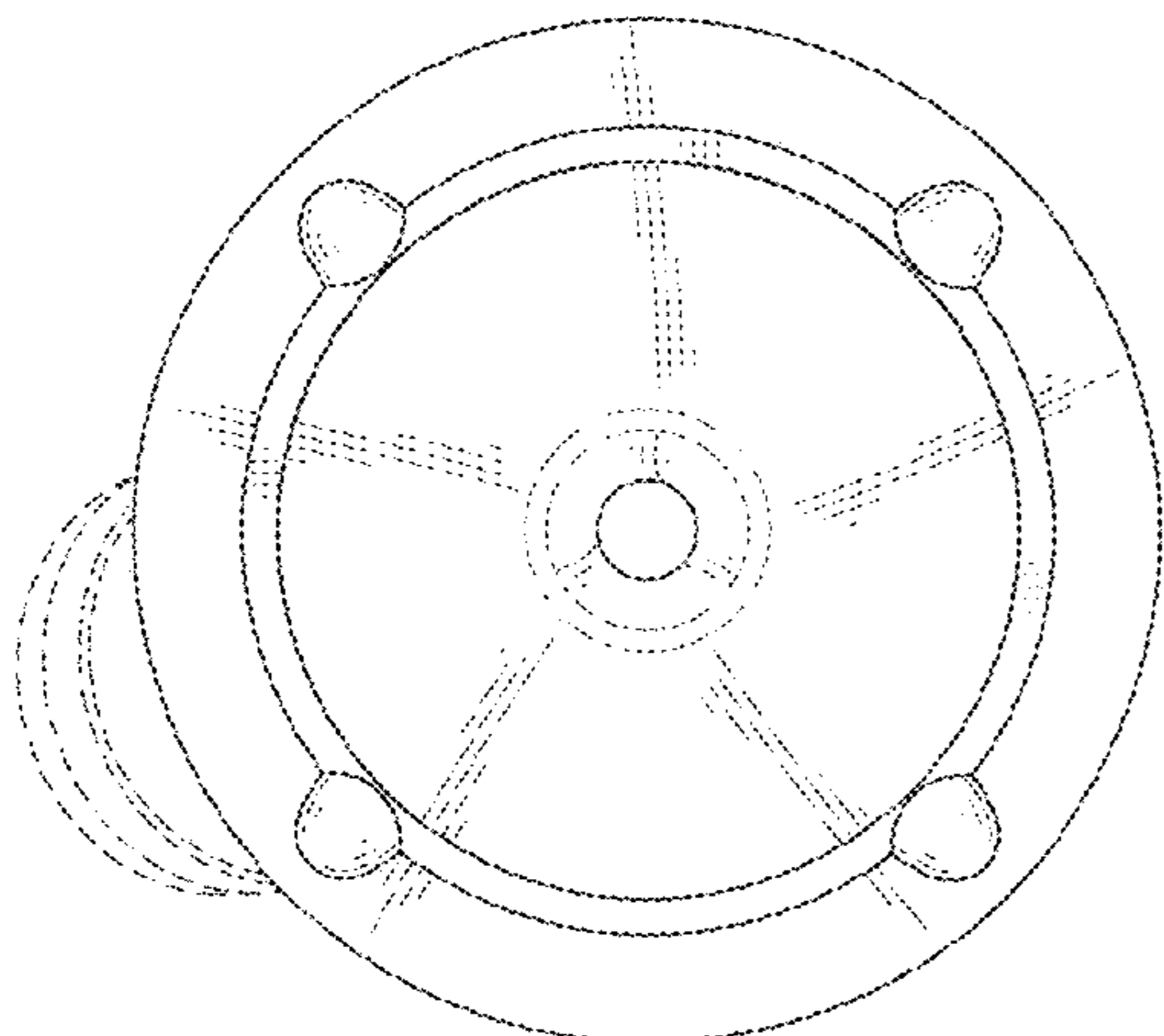
(57) **CLAIM**

The ornamental design for an earphone, as shown and described.

DESCRIPTION

FIG. 1 is a front elevational view of an earphone showing my new design;
FIG. 2 is a rear elevational view thereof;
FIG. 3 is a left-side elevational view thereof;
FIG. 4 is a right-side elevational view thereof;
FIG. 5 is a top plan view thereof;
FIG. 6 is a bottom plan view thereof; and,
FIG. 7 is a perspective view thereof.
The broken lines shown are included for the purpose of illustrating portions of the earphone that form no part of the claim. The interior of the innermost rear circular features as seen in FIGS. 2 and 7 form no part of the claim.

1 Claim, 7 Drawing Sheets



(56)

References Cited

U.S. PATENT DOCUMENTS

| | | | |
|-------------------|--------|-------------|-------------|
| D751,053 S * | 3/2016 | Shin | D14/205 |
| 2011/0034218 A1 * | 2/2011 | Sung | H04R 1/2842 |
| | | | 455/569.1 |
| 2012/0177240 A1 * | 7/2012 | Hwang | H04R 1/1058 |
| | | | 381/379 |
| 2015/0237439 A1 * | 8/2015 | Koss | H04R 1/1091 |
| | | | 381/74 |

* cited by examiner

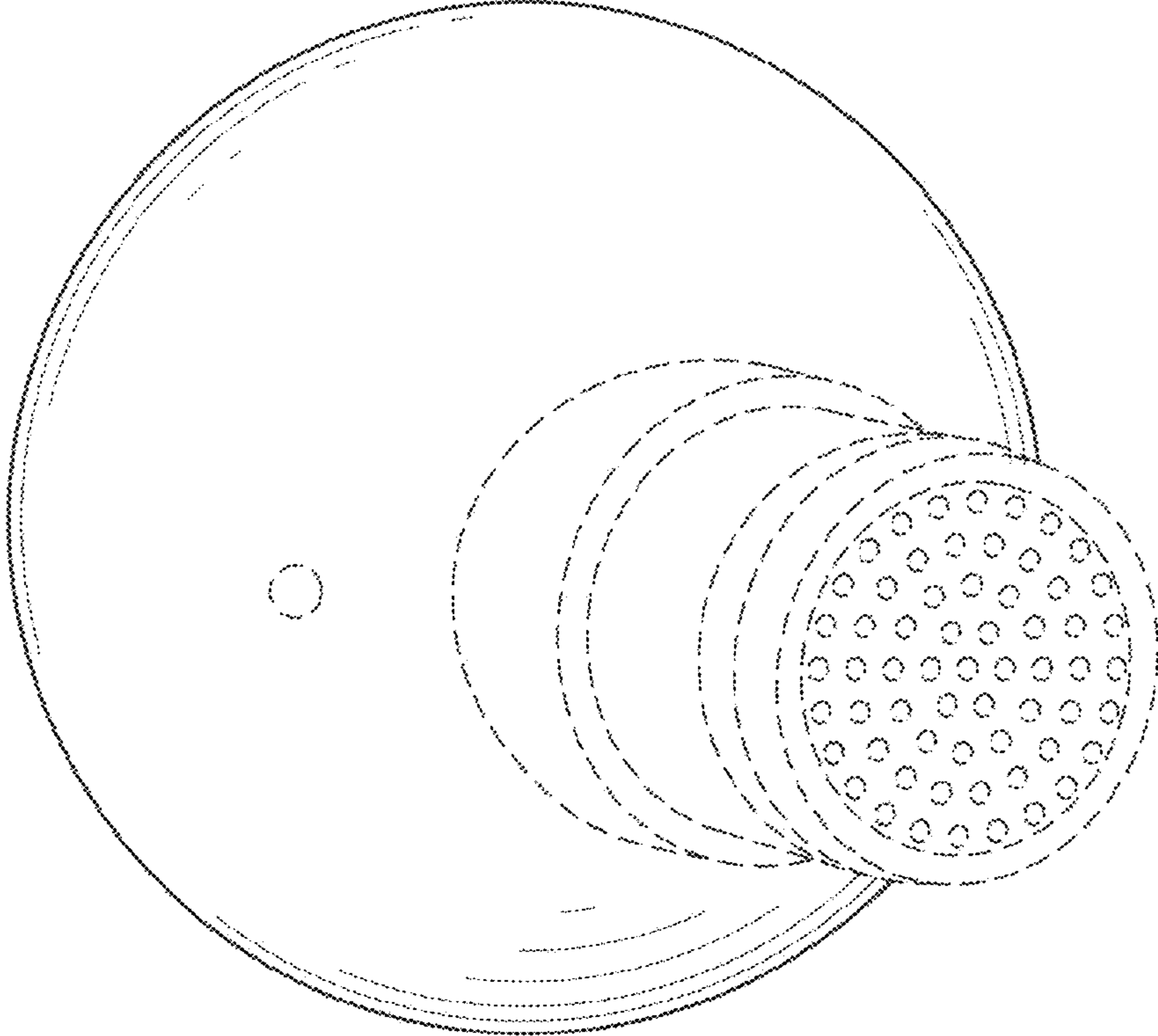


FIG. 1

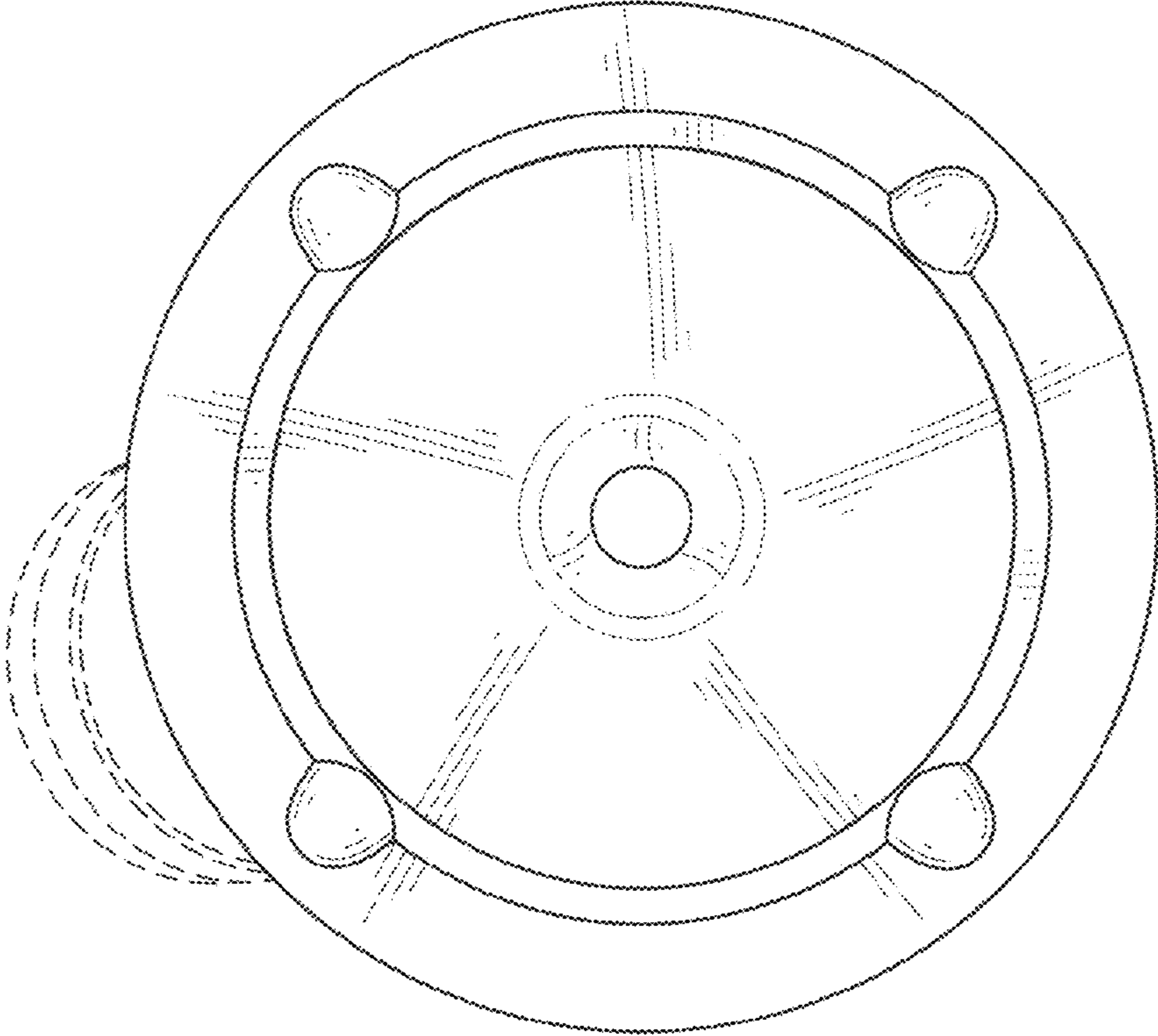


FIG. 2

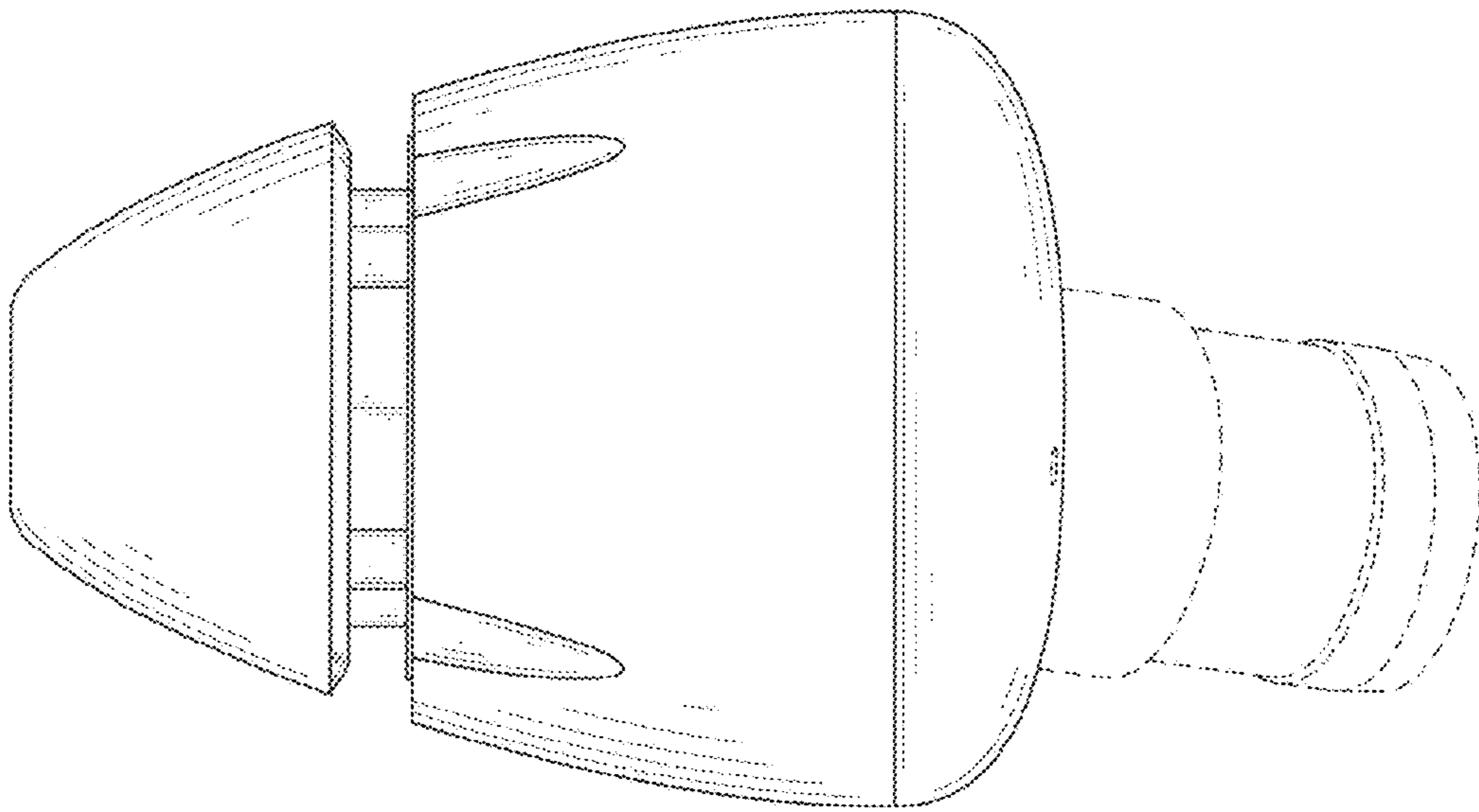


FIG. 3

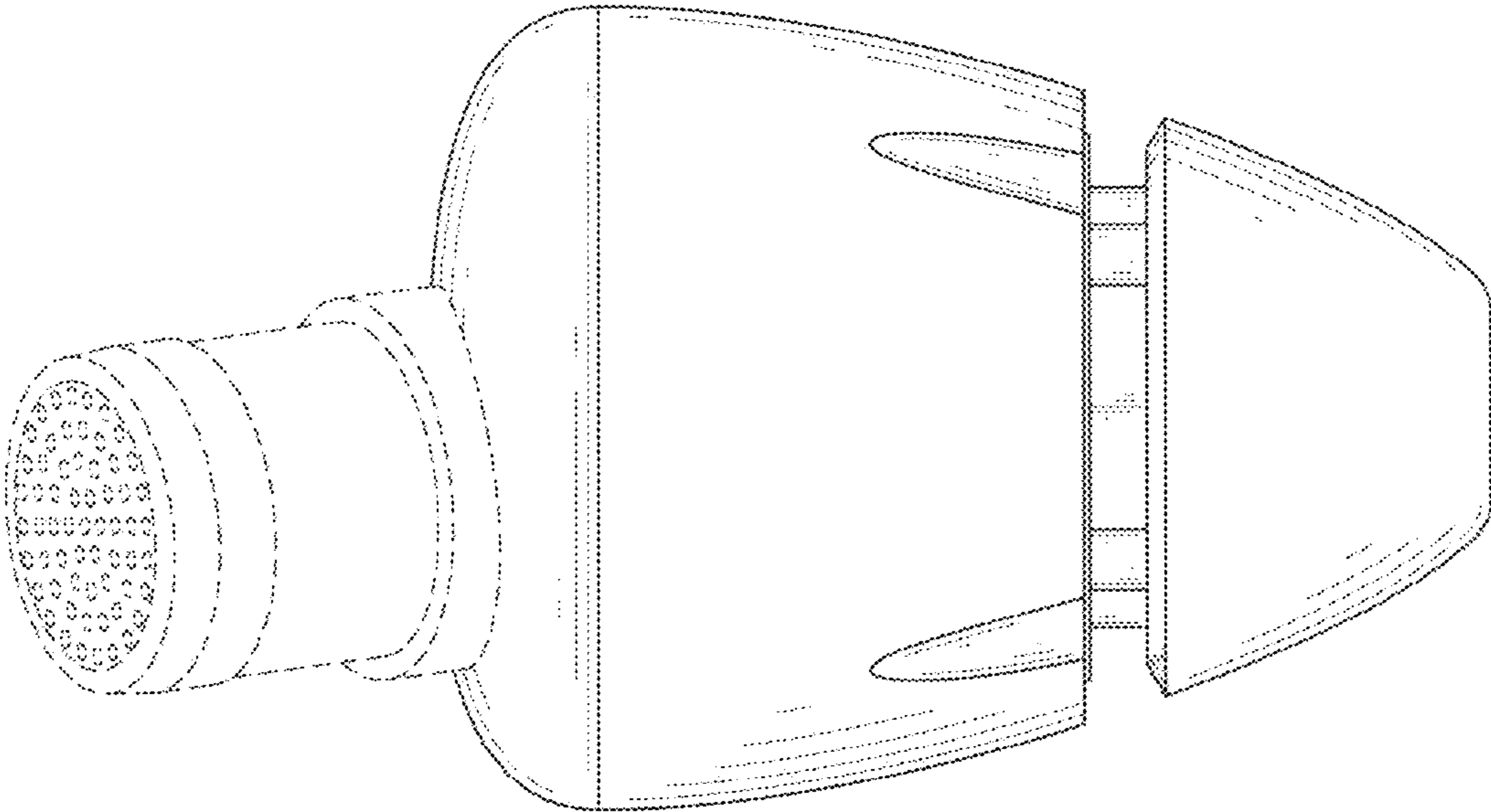


FIG. 4

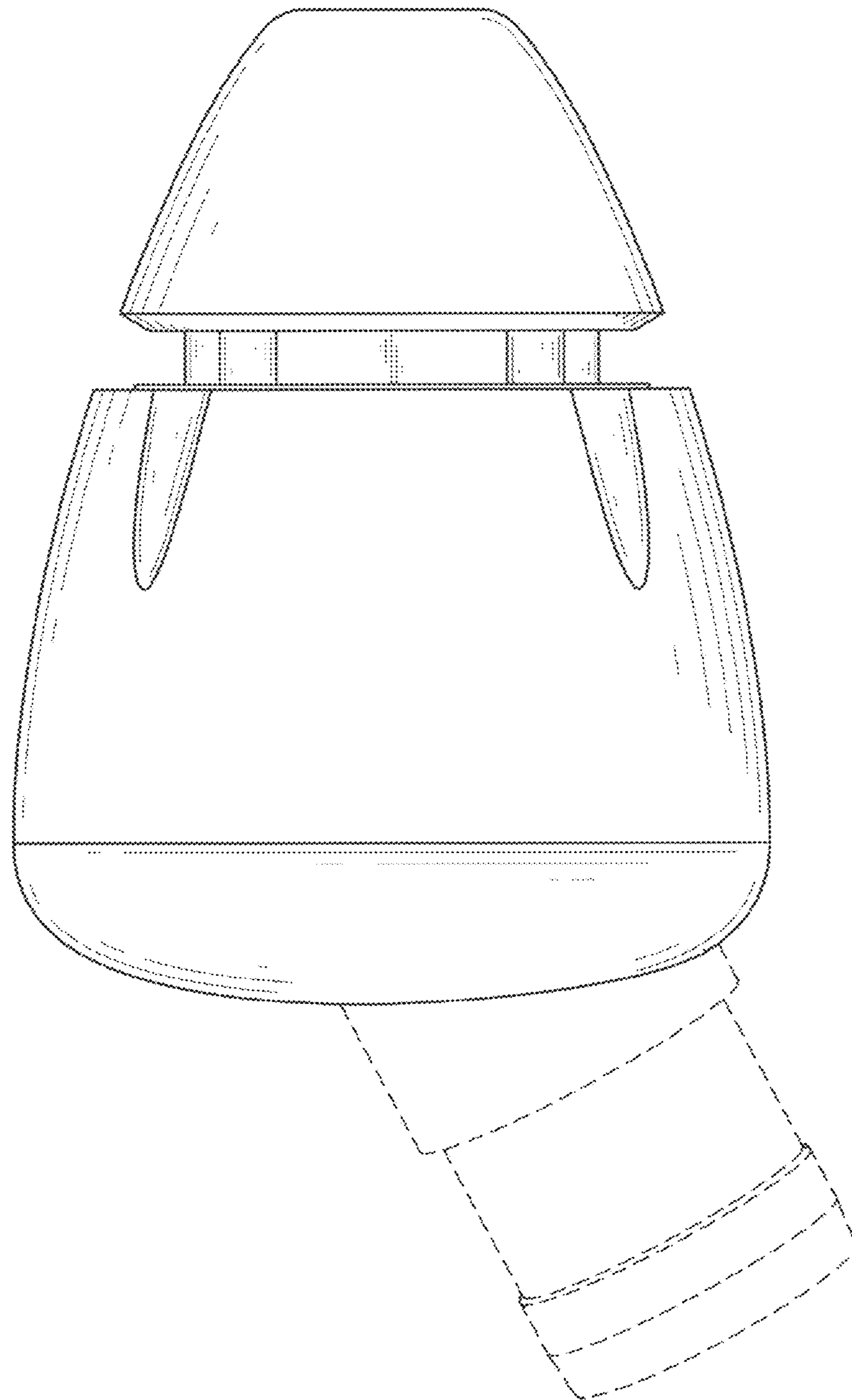


FIG. 5

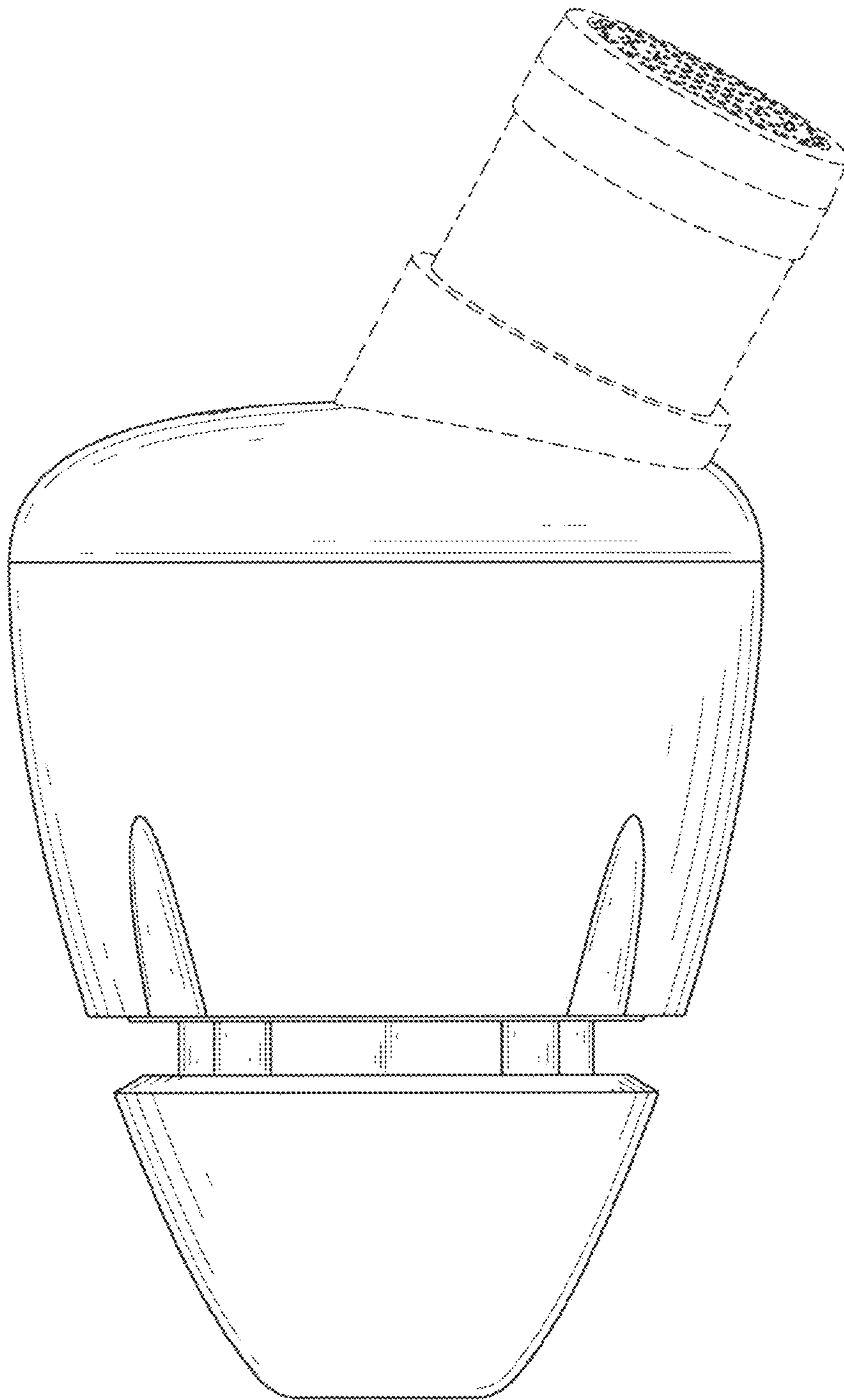


FIG. 6

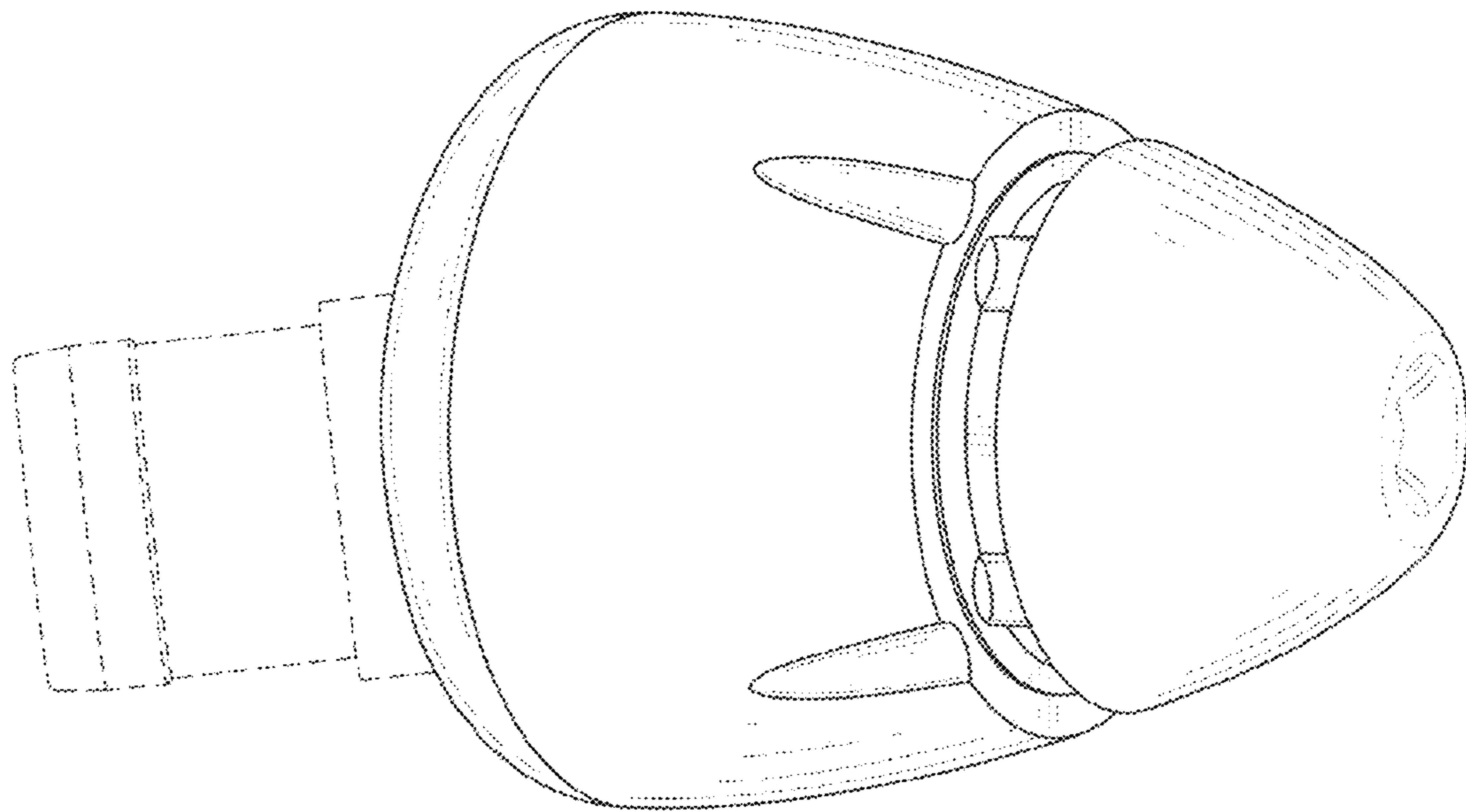


FIG. 7