



US00D826214S

(12) **United States Design Patent** (10) **Patent No.:** **US D826,214 S**
Kim et al. (45) **Date of Patent:** **** Aug. 21, 2018**

(54) **AUDIO VISUAL BOX FOR TV RECEIVER**

(56) **References Cited**

(71) Applicant: **LG ELECTRONICS INC.**, Seoul (KR)

U.S. PATENT DOCUMENTS

(72) Inventors: **Yooseok Kim**, Seoul (KR); **Sunha Park**, Seoul (KR); **Younsoo Kim**, Seoul (KR); **Byungmu Huh**, Seoul (KR)

D325,032 S *	3/1992	Nagele	D14/188
D503,396 S *	3/2005	Hisatsune	D14/214
D511,339 S *	11/2005	Tsuge	D14/214
D520,494 S *	5/2006	Aiba	D14/214
D535,942 S *	1/2007	Kim	D13/108
D536,330 S *	2/2007	Tan	D14/211
D551,207 S *	9/2007	Yano	D14/172
D563,387 S *	3/2008	Aquillano	D14/214
D565,542 S *	4/2008	Han	D14/211
D599,782 S *	9/2009	Tse	D14/209.1
D629,768 S *	12/2010	Tako	D14/126
D638,820 S *	5/2011	Hotta	D14/214

(73) Assignee: **LG ELECTRONICS INC.**, Seoul (KR)

(**) Term: **15 Years**

(Continued)

(21) Appl. No.: **35/503,415**

OTHER PUBLICATIONS

(22) Filed: **Jan. 20, 2017**

iLive 2.1-Channel Speaker Bar with iPod Dock, posted at Amazon, review posted Nov. 3, 2009. [online][site visited May 30, 2018] URL: <<https://www.amazon.com/iLive-2-1-Channel-Speaker-iPod-Black/dp/B0013ZAB1Y/>> (Year: 2009).*

(80) **Hague Agreement Data**

Int. Filing Date: **Jan. 20, 2017**
Int. Reg. No.: **DM/094542**
Int. Reg. Date: **Jan. 20, 2017**
Int. Reg. Pub. Date: **Jul. 21, 2017**

(Continued)

Primary Examiner — George D. Kirschbaum
Assistant Examiner — Kathleen L Jones
(74) *Attorney, Agent, or Firm* — Birch, Stewart, Kolasch & Birch, LLP

(30) **Foreign Application Priority Data**

Jul. 28, 2016 (KR) 30-2016-0037087

(51) **LOC (11) Cl.** **14-03**

(52) **U.S. Cl.**
USPC **D14/210**

(58) **Field of Classification Search**
USPC D14/125–126, 131, 172, 188, 193–194, D14/203.1, 204–206, 209.1, 210–216, D14/221, 223–224, 239, 249, 265
CPC . B60R 11/0217; B60R 11/0223; H04R 1/023; H04R 1/025; H04R 1/323; H04R 5/02; H04R 19/02; H04R 2400/00; H04R 2400/07; H04R 2400/11; G06F 1/16
See application file for complete search history.

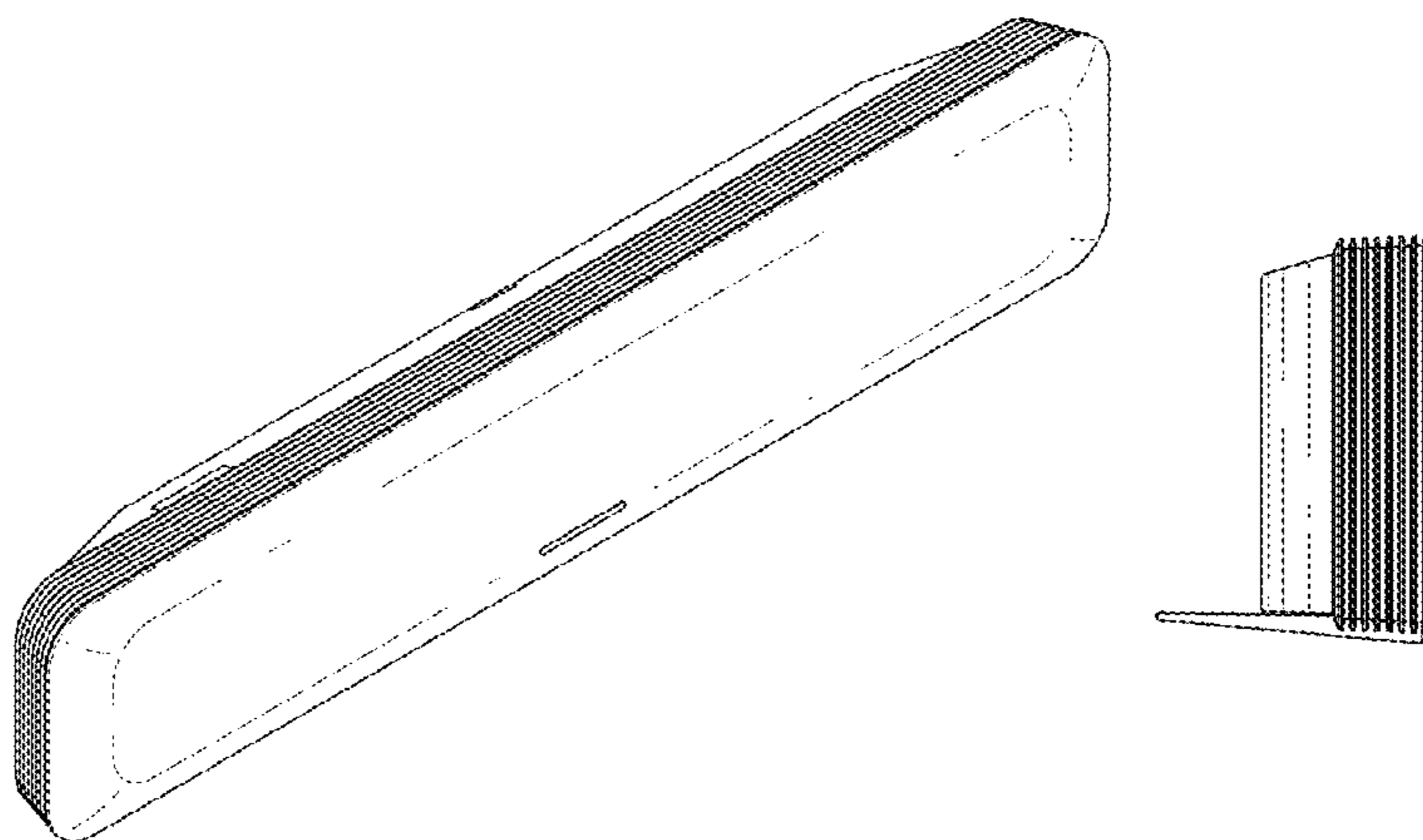
(57) **CLAIM**

The ornamental design for an audio visual box for TV receiver, as shown and described.

DESCRIPTION

- 1. Audio visual box for TV receiver
- 1.1 : Perspective
- 1.2 : Front
- 1.3 : Back
- 1.4 : Left

(Continued)



1.5 : Right
 1.6 : Top
 1.7 : Bottom

1 Claim, 7 Drawing Sheets

(56)

References Cited

U.S. PATENT DOCUMENTS

D644,201	S	*	8/2011	Park	D14/214
D645,449	S	*	9/2011	Kusuki	D14/214
D647,078	S	*	10/2011	Mori	D14/214
D647,505	S	*	10/2011	Skurdal	D14/209.1
D671,909	S	*	12/2012	Choi	D14/188
D672,749	S	*	12/2012	Onoue	D14/214
D676,829	S	*	2/2013	Kaneko	D14/204
D677,245	S	*	3/2013	Joseph	D14/204
D703,191	S	*	4/2014	Woo	D14/204
D812,617	S	*	3/2018	Bai	D14/434
2017/0210306	A1	*	7/2017	Tavakoli Targhi		B60R 13/0268

OTHER PUBLICATIONS

Top 5 TV Sound Bars of 2014, posted at Best Choice Reviews, posting date Feb. 13, 2014. [online][site visited May 30, 2018]

URL: <<http://web.archive.org/web/20140213033924/http://www.bestchoicereviews.org/electronics/sound-bars/>> (Year: 2014).*

Klipsch Gallery G-42 Flat Panel Speaker, posted at Klipsch, review posting year 2015. [online][site visited Mar. 13, 2018] URL: <<http://www.klipsch.com/products/klipsch-gallery-speakers#product-consumer-reviews>> (Year: 2015).*

Sondpex Bluetooth Speaker Bar and Music Player, posted at Pep Boys, review posting year 2016. [online][site visited Mar. 14, 2018] URL: <<https://www.pepboys.com/product/details/1152874/00071>> (Year: 2016).*

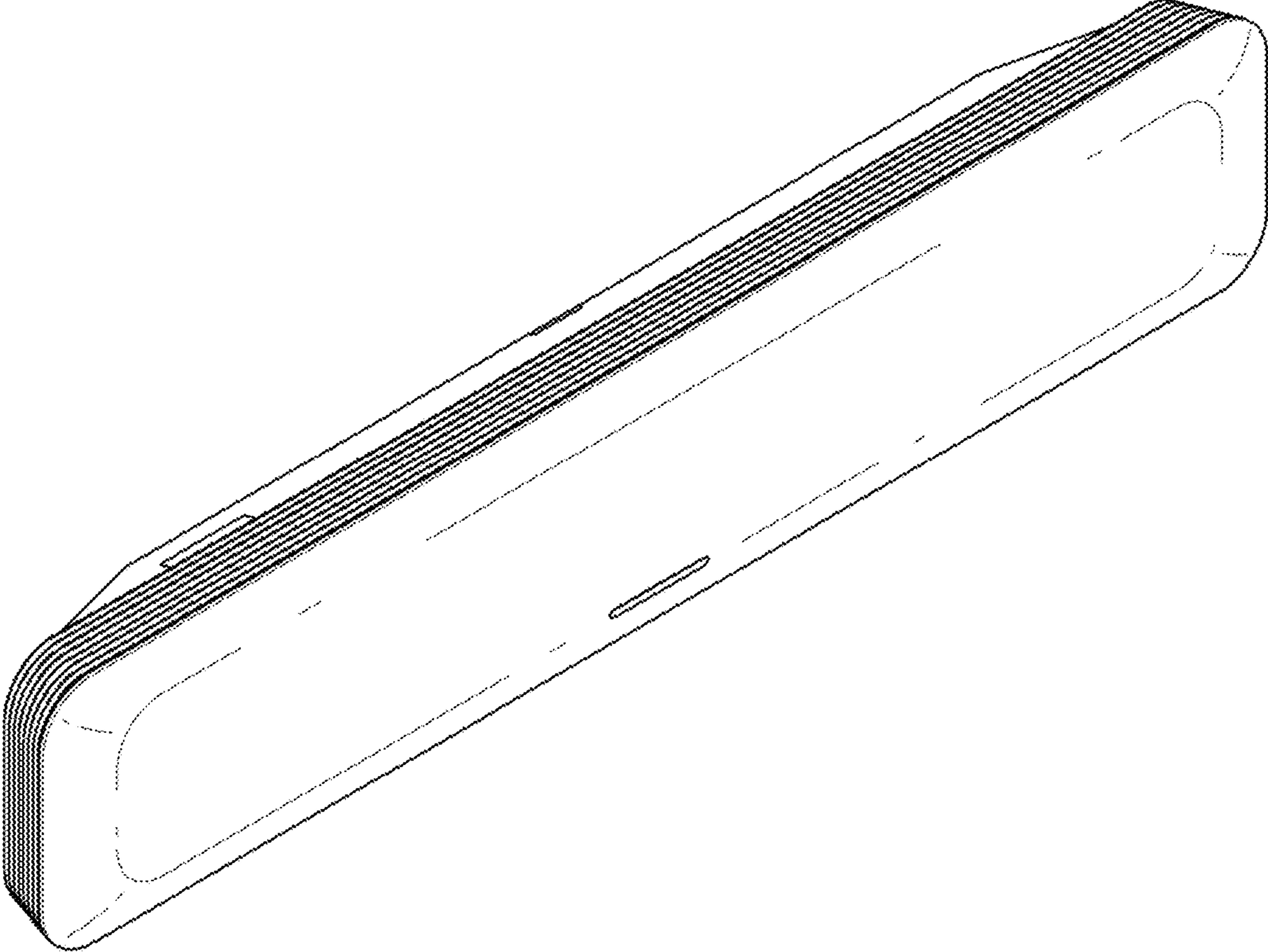
Polk FR1 Smart Soundbar and Subwoofer System, posted at Premier Hot Deals, posting date Jan. 13, 2017. [online][site visited Mar. 13, 2018] URL: <<https://www.premierhotdeals.com/polk-fr1-smart-soundbar-and-subwoofer-system.html>> (Year: 2017).*

Q Acoustics Media 4, posted at Richer Sounds, review posting year 2015. [online][site visited Jun. 1, 2018] URL: <<https://www.richersounds.com/q-acoustics-m4-blk.html>> (Year: 2015).*

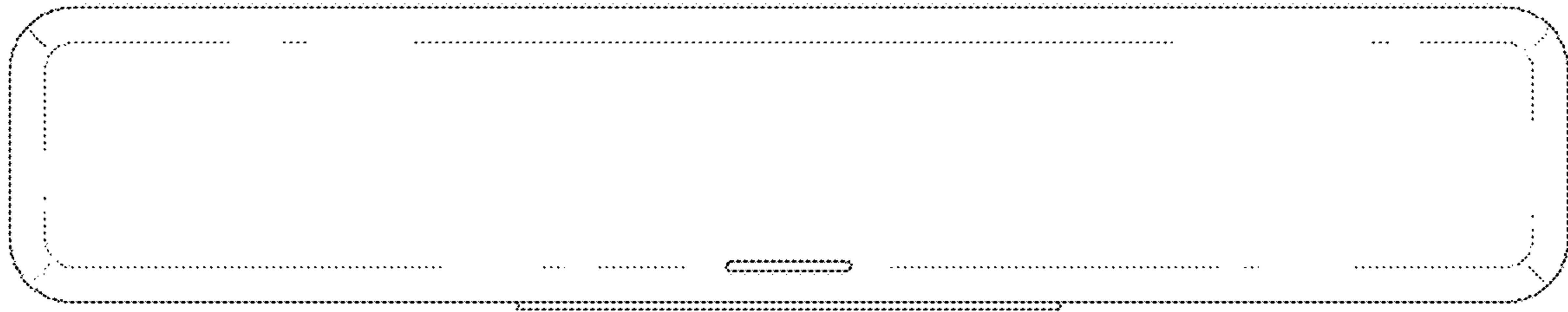
Thorp-Lancaster, Dan, Snag the Xbox One optimized Polk Audio N1 Gaming SoundBar, via Windows Central, posted Sep. 4, 2015. [online][visited May 23, 2018] URL: <https://forms.windowscentral.com/windows-central-news-discussion/381224-snag-xbox-one-optimized-polk-audio-n1-gaming-soundbar-100-a.html>> (Year: 2015).*

* cited by examiner

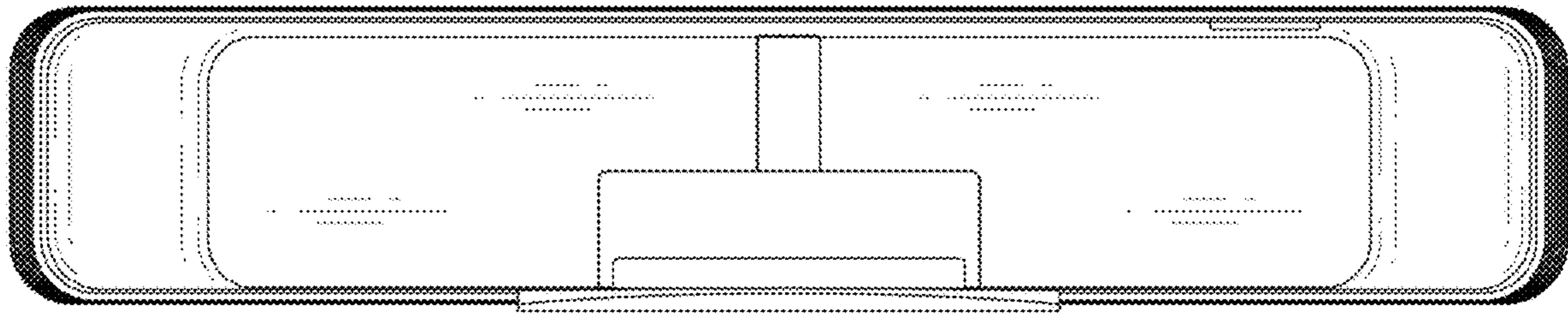
1.1



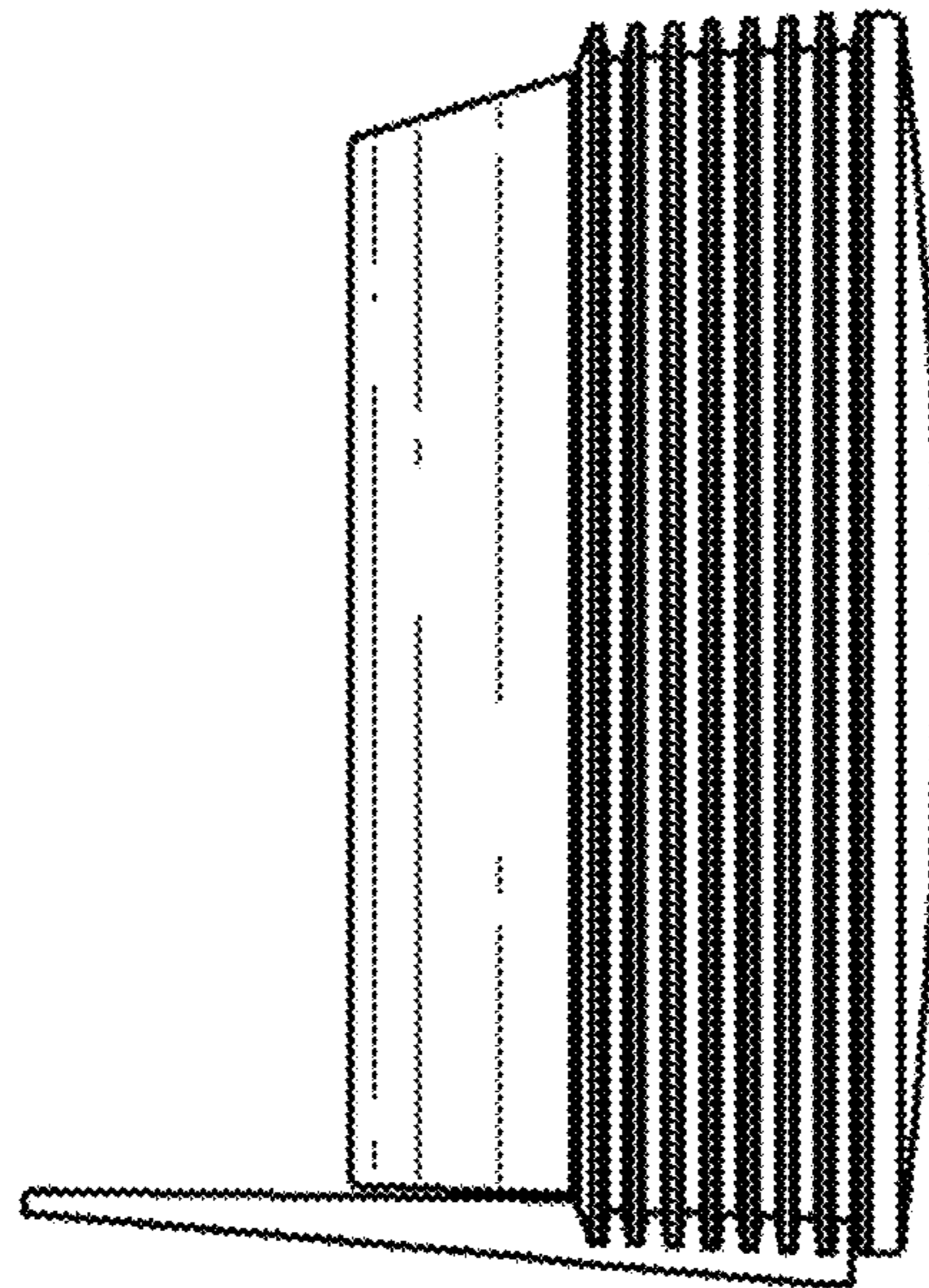
1.2



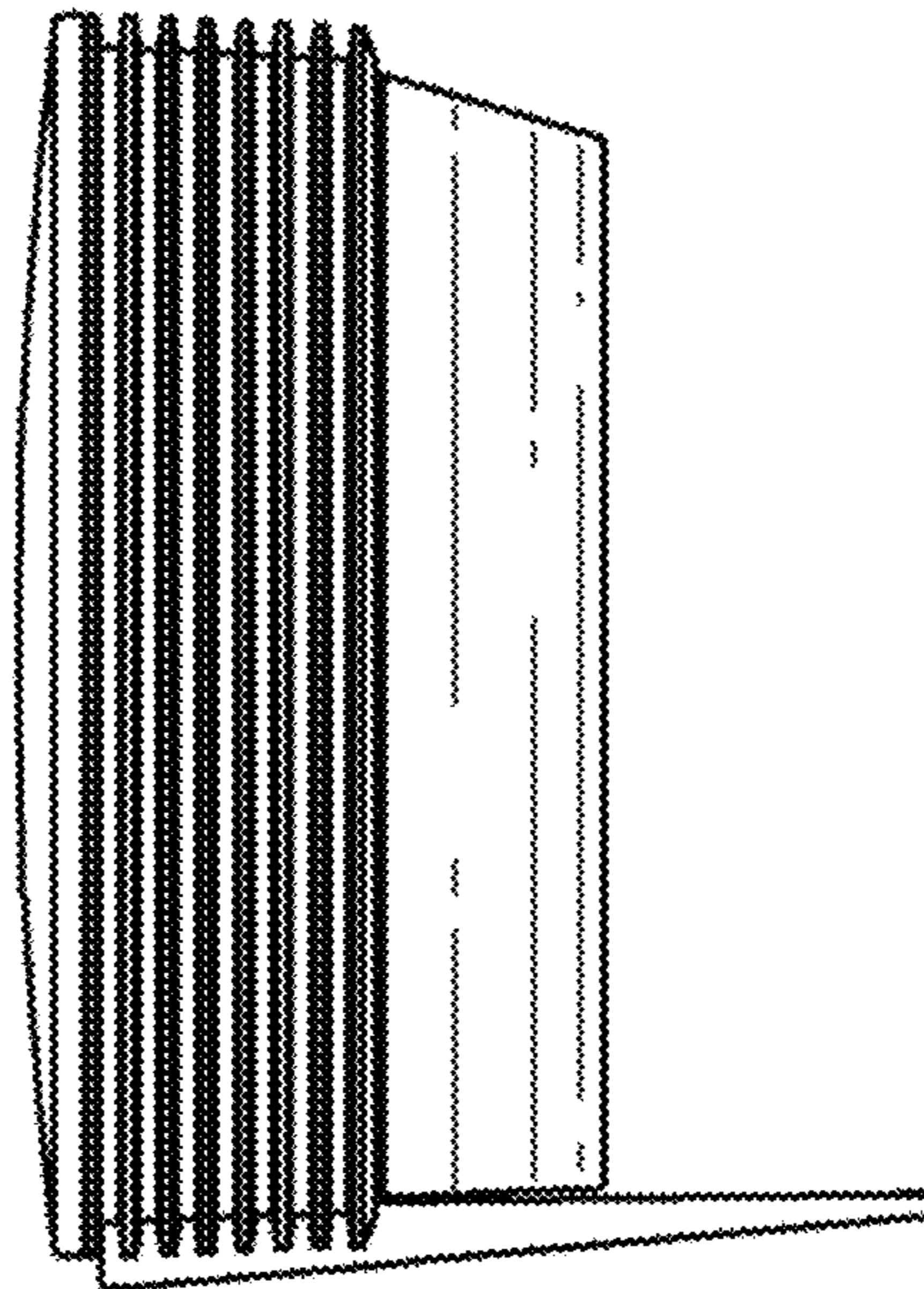
1.3



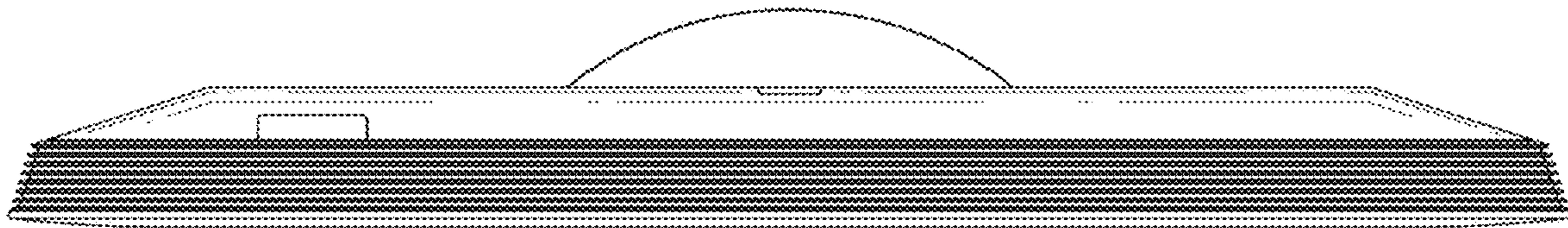
1.4



1.5



1.6



1.7

