



US00D826213S

(12) **United States Design Patent**
Kim et al.

(10) **Patent No.:** **US D826,213 S**
(45) **Date of Patent:** **** Aug. 21, 2018**

(54) **AUDIO VISUAL BOX FOR TV RECEIVER**

(71) Applicant: **LG ELECTRONICS INC.**, Seoul (KR)

(72) Inventors: **Yooseok Kim**, Seoul (KR); **Sunha Park**, Seoul (KR); **Younsoo Kim**, Seoul (KR); **Byungmu Huh**, Seoul (KR)

(73) Assignee: **LG ELECTRONICS INC.**, Seoul (KR)

(**) Term: **15 Years**

(21) Appl. No.: **35/503,402**

(22) Filed: **Jan. 20, 2017**

(80) **Hague Agreement Data**

Int. Filing Date: **Jan. 20, 2017**

Int. Reg. No.: **DM/094551**

Int. Reg. Date: **Jan. 20, 2017**

Int. Reg. Pub. Date: **Jul. 21, 2017**

(30) **Foreign Application Priority Data**

Jul. 28, 2016 (KR) 30-2016-0037089

(51) **LOC (11) Cl.** **14-03**

(52) **U.S. Cl.**
USPC **D14/210**

(58) **Field of Classification Search**

USPC D14/125-126, 131, 172, 188, 193-194,
D14/203.1, 204-206, 209.1, 210-216,
D14/221, 223-224, 239, 249, 265

CPC . B60R 11/0217; B60R 11/0223; H04R 1/023;
H04R 1/025; H04R 1/323; H04R 5/02;
H04R 19/02; H04R 2400/00; H04R
2400/07; H04R 2400/11; G06F 1/16

See application file for complete search history.

(56) **References Cited**

U.S. PATENT DOCUMENTS

D336,644 S * 6/1993 Thackray D14/126
D428,612 S * 7/2000 Scorrano D14/194

D473,208 S * 4/2003 Solland D14/188
D473,209 S * 4/2003 Solland D14/188
D498,742 S * 11/2004 Green D14/188
D502,462 S * 3/2005 Silverstein D14/188
D552,074 S * 10/2007 Aquillano D14/168
D633,078 S * 2/2011 Lewis D14/168
D659,119 S * 5/2012 Brunner D14/209.1
D672,749 S * 12/2012 Onoue D14/214
D676,829 S * 2/2013 Kaneko D14/204
D715,269 S * 10/2014 Han D14/221
D715,769 S * 10/2014 McManigal D14/214

(Continued)

OTHER PUBLICATIONS

Q Acoustics Media 4, posted at Richer Sounds, review posting year 2015. [online][site visited Jun. 1, 2018] URL: <<https://www.richersounds.com/q-acoustics-m4-blk.html>> (Year: 2015).*

(Continued)

Primary Examiner — George D. Kirschbaum

Assistant Examiner — Kathleen L Jones

(74) *Attorney, Agent, or Firm* — Birch, Stewart, Kolasch & Birch, LLP

(57) **CLAIM**

The ornamental design for an audio visual box for TV receiver, as shown and described.

DESCRIPTION

1. Audio visual box for TV receiver

1.1 : Perspective

1.2 : Front

1.3 : Back

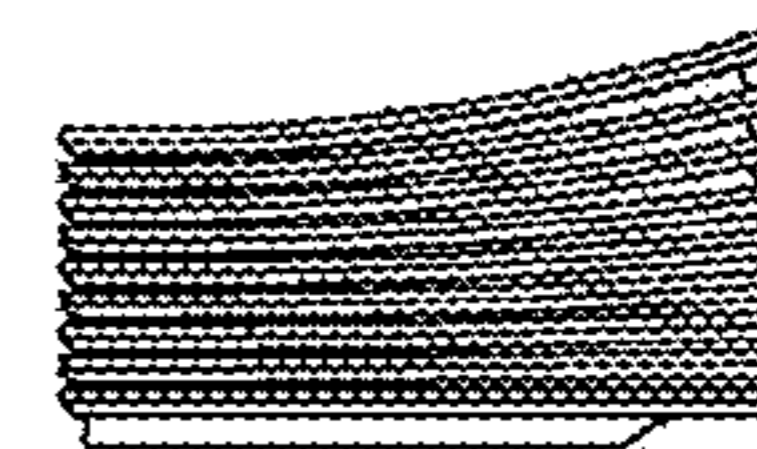
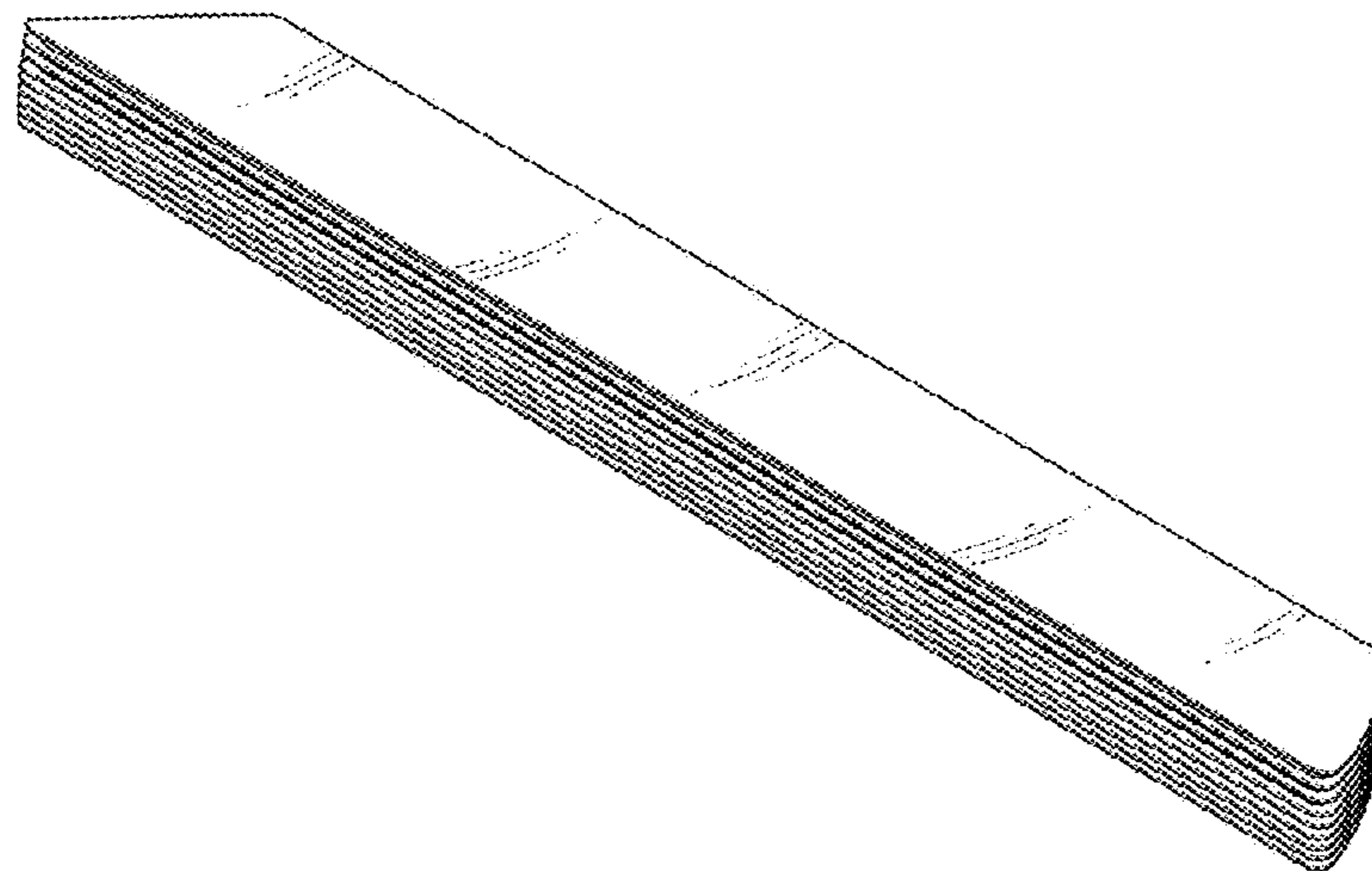
1.4 : Left

1.5 : Right

1.6 : Top

1.7 : Bottom

1 Claim, 7 Drawing Sheets



(56)

References Cited

U.S. PATENT DOCUMENTS

D718,738 S * 12/2014 Michael D14/214
D730,869 S * 6/2015 Lee D14/214
D732,080 S * 6/2015 Xin D14/188

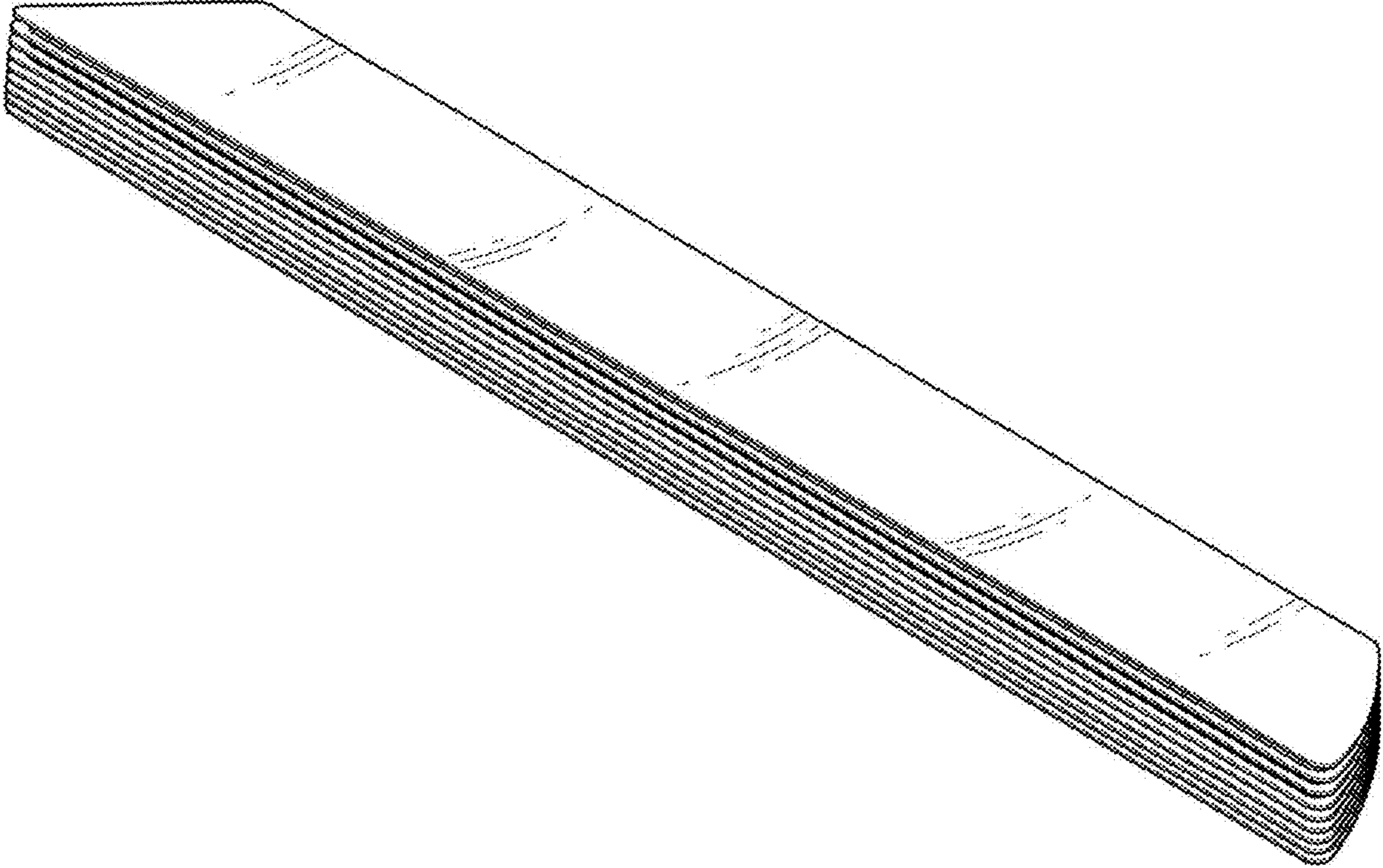
OTHER PUBLICATIONS

Top 5 TV Sound Bars of 2014, posted at Best Choice Reviews, posting date Feb. 13, 2014. [online][site visited May 30, 2018] URL: <<http://web.archive.org/web/20140213033924/http://www.bestchoicereviews.org/electronics/sound-bars/>> (Year: 2014).*

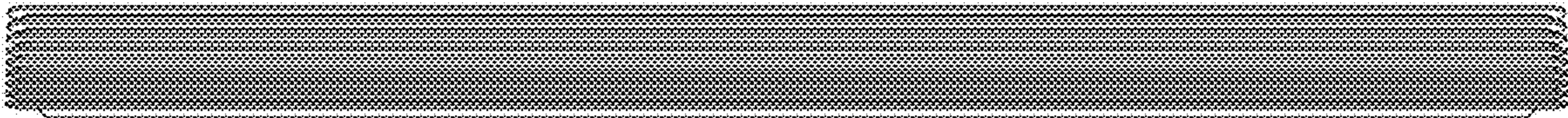
Thorp-Lancaster, Dan, Snag the Xbox One optimized Polk Audio N1 Gaming SoundBar, via Windows Central, posted Sep. 4, 2015. [online][site visited May 23, 2018] URL: <https://forums.windowscentral.com/windows-central-news-discussion/381224-snap-xbox-one-optimized-polk-audio-n1-gaming-soundbar-100-a.html>> (Year: 2015).*

* cited by examiner

1.1



1.2



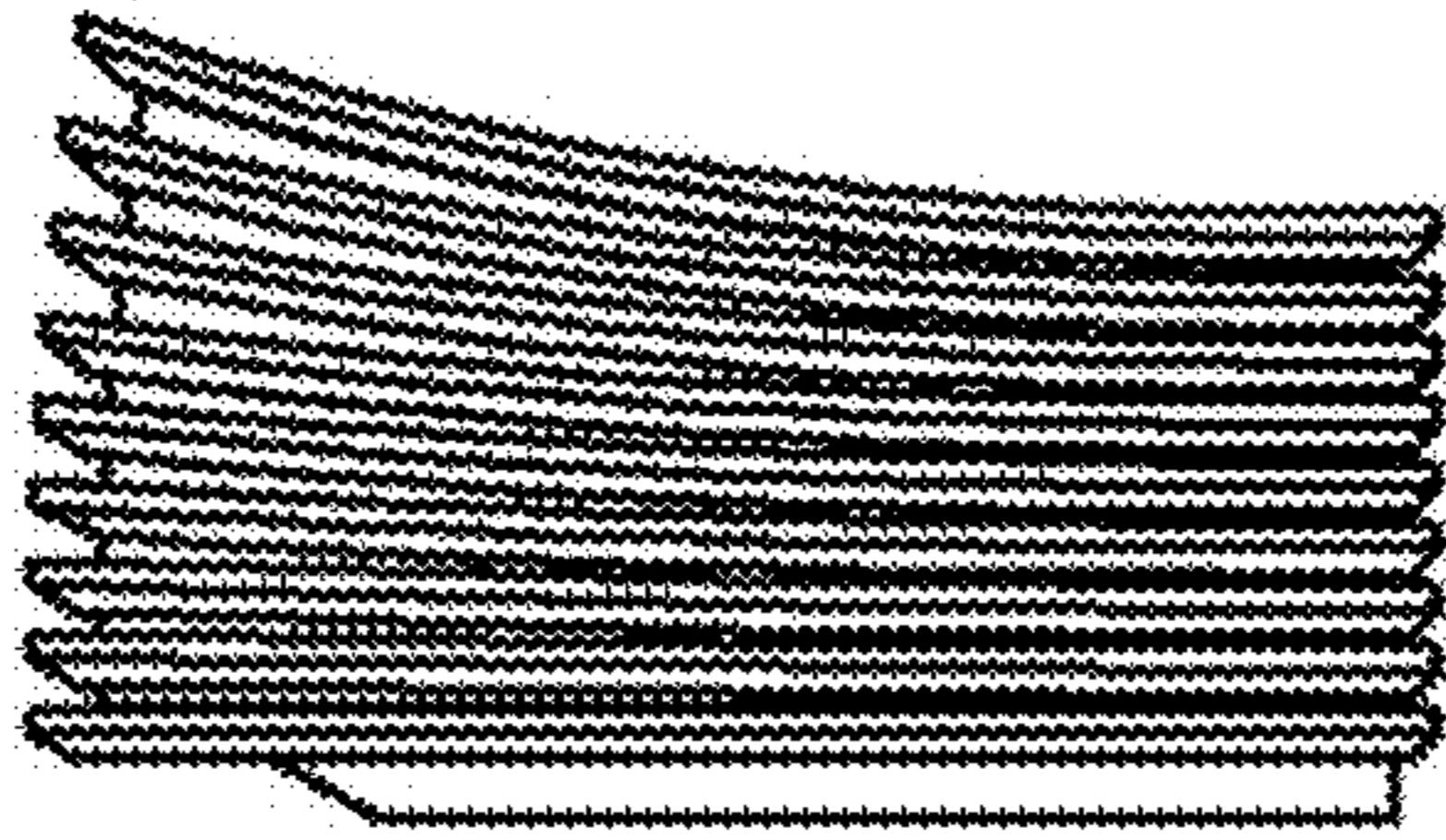
1.3



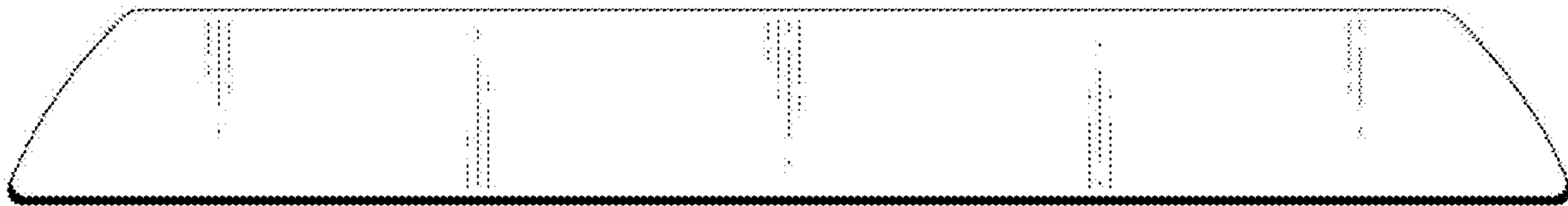
1.4



1.5



1.6



1.7

