



US00D826211S

(12) **United States Design Patent**  
**Kim**

(10) **Patent No.:** **US D826,211 S**

(45) **Date of Patent:** **\*\* Aug. 21, 2018**

(54) **HEADSET FOR TELEPHONE EARPHONE  
AND MICROPHONE COMBINED**

(71) Applicant: **ORFEO SOUNDWORKS  
CORPORATION, Gyeonggi-Do (KR)**

(72) Inventor: **Eundong Kim, Uiwang-si (KR)**

(\*\*) Term: **15 Years**

(21) Appl. No.: **35/503,071**

(22) Filed: **Nov. 30, 2016**

(80) **Hague Agreement Data**

Int. Filing Date: **Nov. 30, 2016**

Int. Reg. No.: **DM/095240**

Int. Reg. Date: **Nov. 30, 2016**

Int. Reg. Pub. Date: **Jun. 2, 2017**

(51) **LOC (11) Cl.** ..... **14-01**

(52) **U.S. Cl.**  
USPC ..... **D14/206**

(58) **Field of Classification Search**  
USPC ..... D14/205-206; D29/112  
CPC .... H04R 1/1066; H04R 1/1016; H04R 25/00;  
H04R 1/10; H04R 5/0335; H04R 5/033  
See application file for complete search history.

(56) **References Cited**

**U.S. PATENT DOCUMENTS**

D773,439 S \* 12/2016 Walker ..... D14/205  
D774,489 S \* 12/2016 Loh Jun Kern ..... D14/205

D776,635 S \* 1/2017 Chang ..... D14/205  
D780,714 S \* 3/2017 Vogt, Jr. .... D14/205  
D782,998 S \* 4/2017 Shin ..... D14/205  
D786,216 S \* 5/2017 Silva ..... D14/205  
D803,184 S \* 11/2017 Loh Jun Kern ..... D14/205  
D803,185 S \* 11/2017 Loh Jun Kern ..... D14/205  
D804,445 S \* 12/2017 Golnik ..... D14/205  
D810,720 S \* 2/2018 Lee ..... D14/205  
D812,038 S \* 3/2018 Nakajima ..... D14/205

\* cited by examiner

*Primary Examiner* — Michael A. Pratt

(57) **CLAIM**

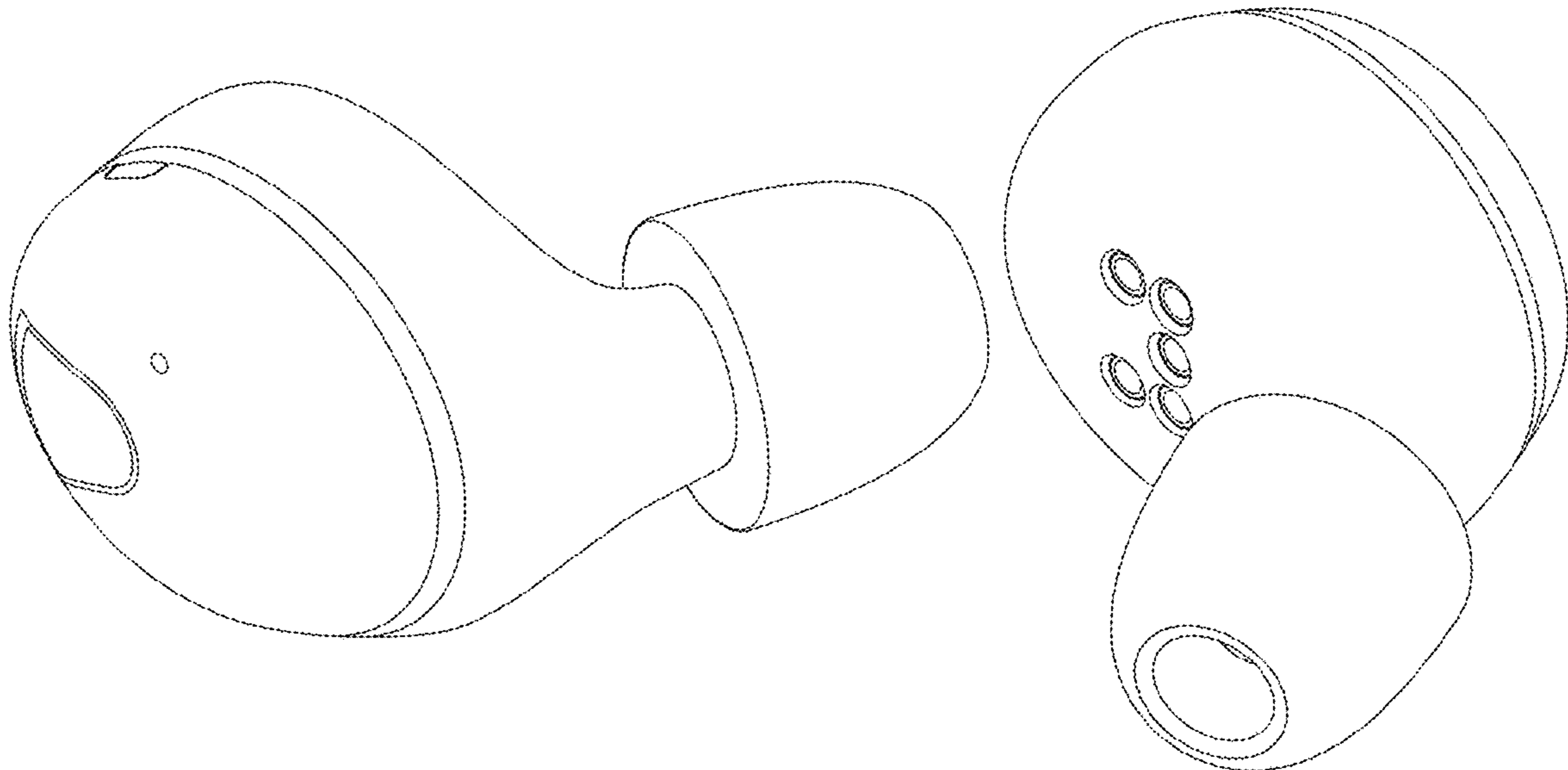
The ornamental design for a headset for telephone earphone and microphone combined, as shown and described.

**DESCRIPTION**

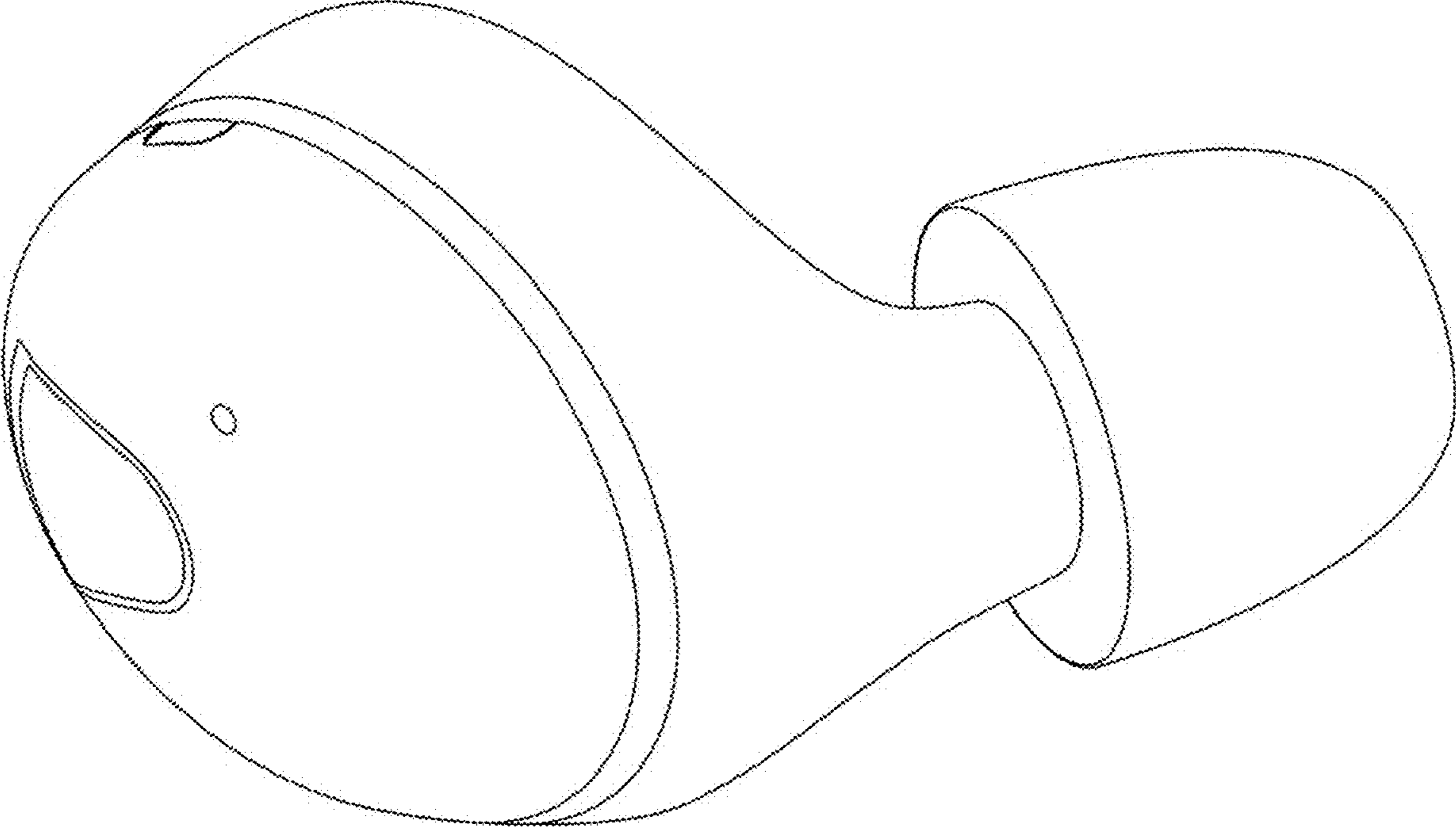
1. Headset for telephone earphone and microphone combined

- 1.1 : Perspective
- 1.2 : Front
- 1.3 : Back
- 1.4 : Top
- 1.5 : Bottom
- 1.6 : Left
- 1.7 : Right
- 1.8 : Perspective

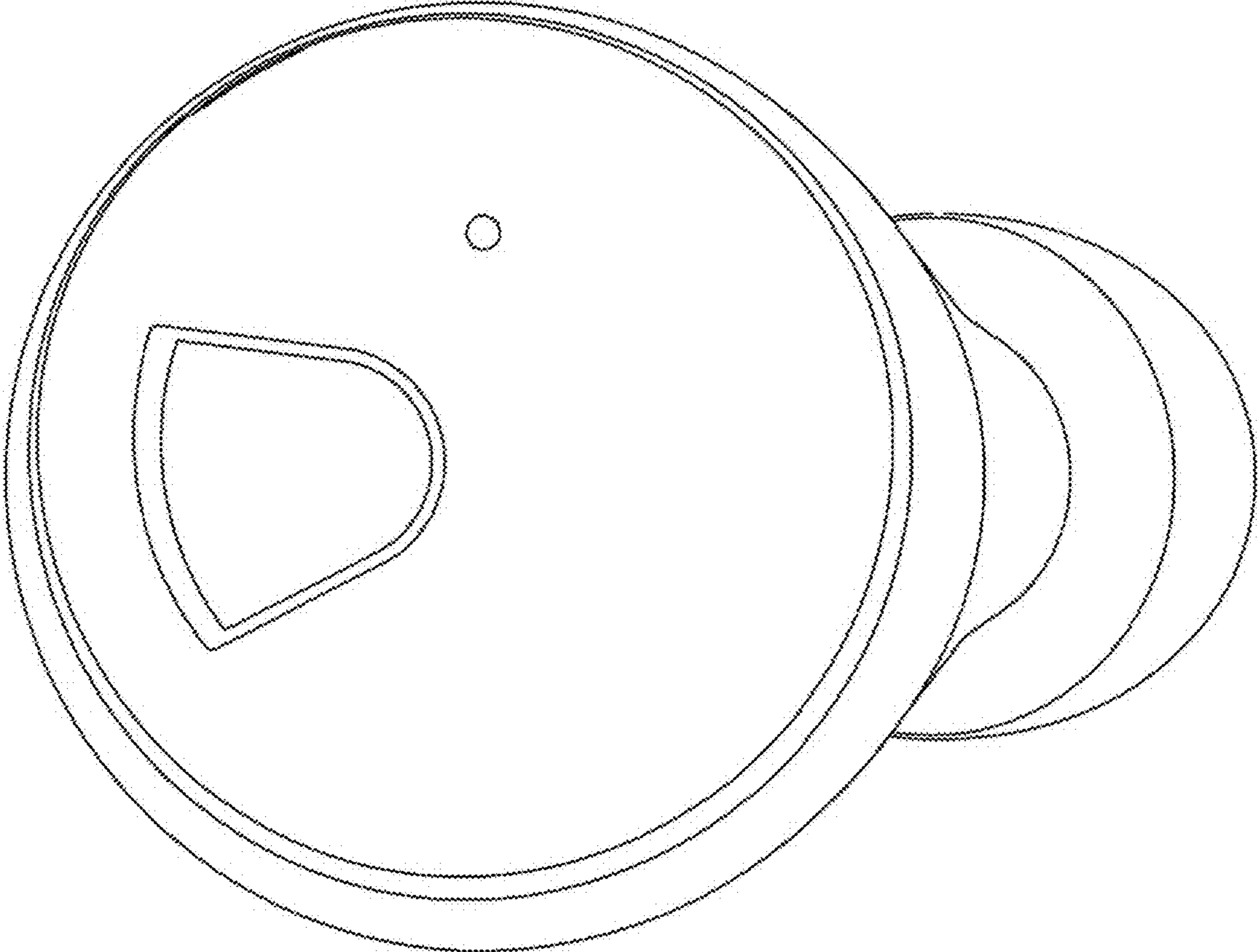
**1 Claim, 8 Drawing Sheets**



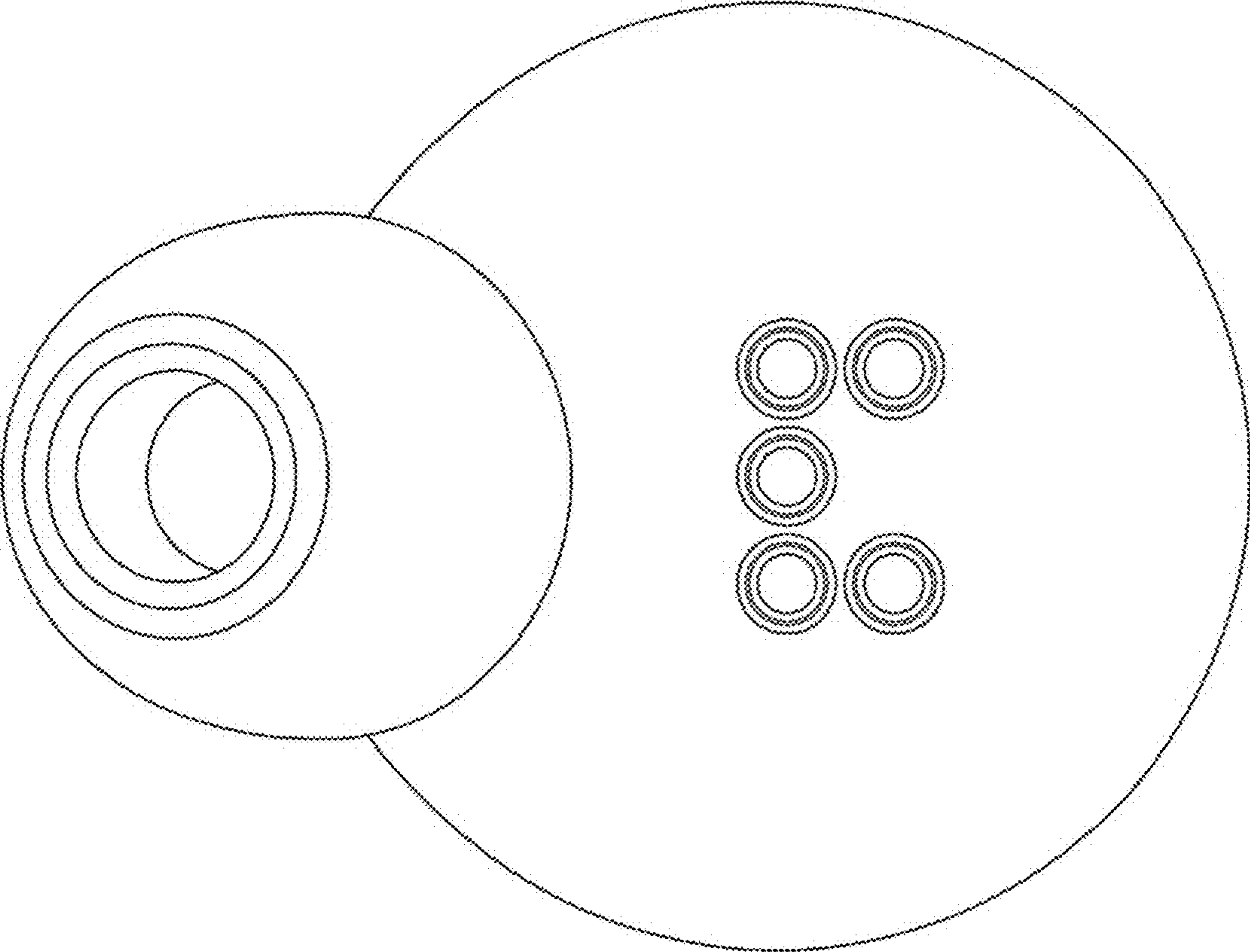
1.1



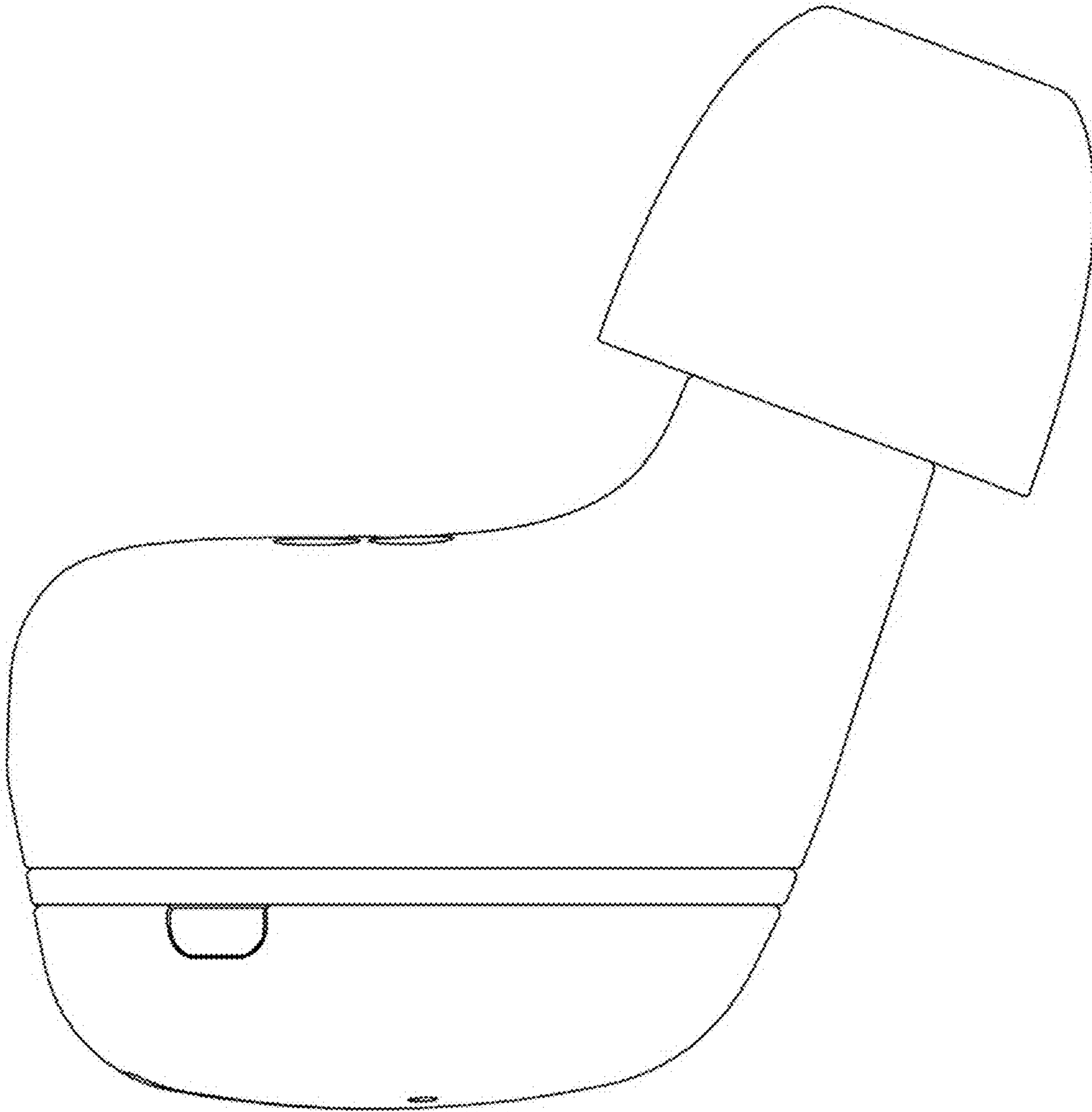
1.2



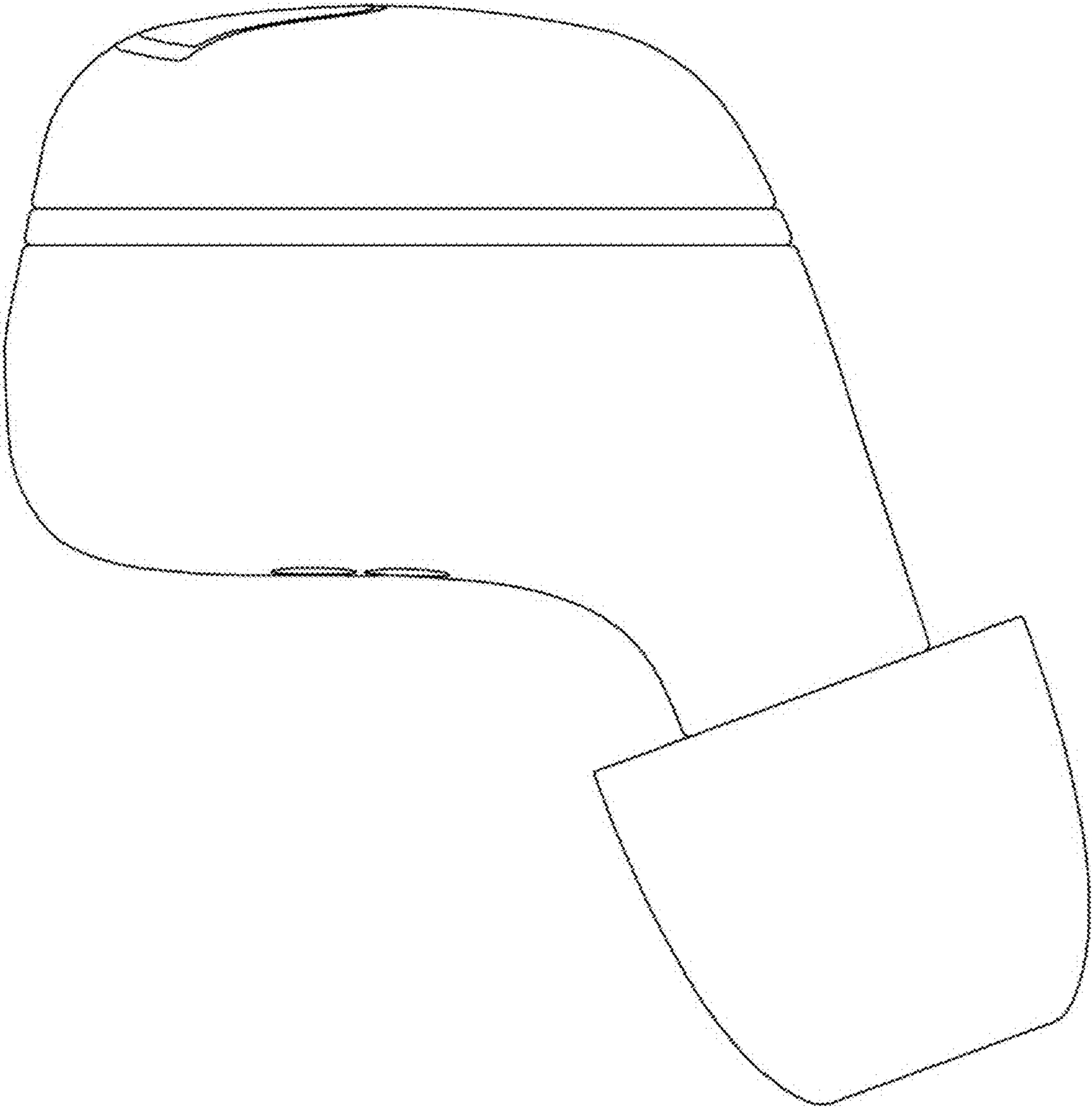
1.3



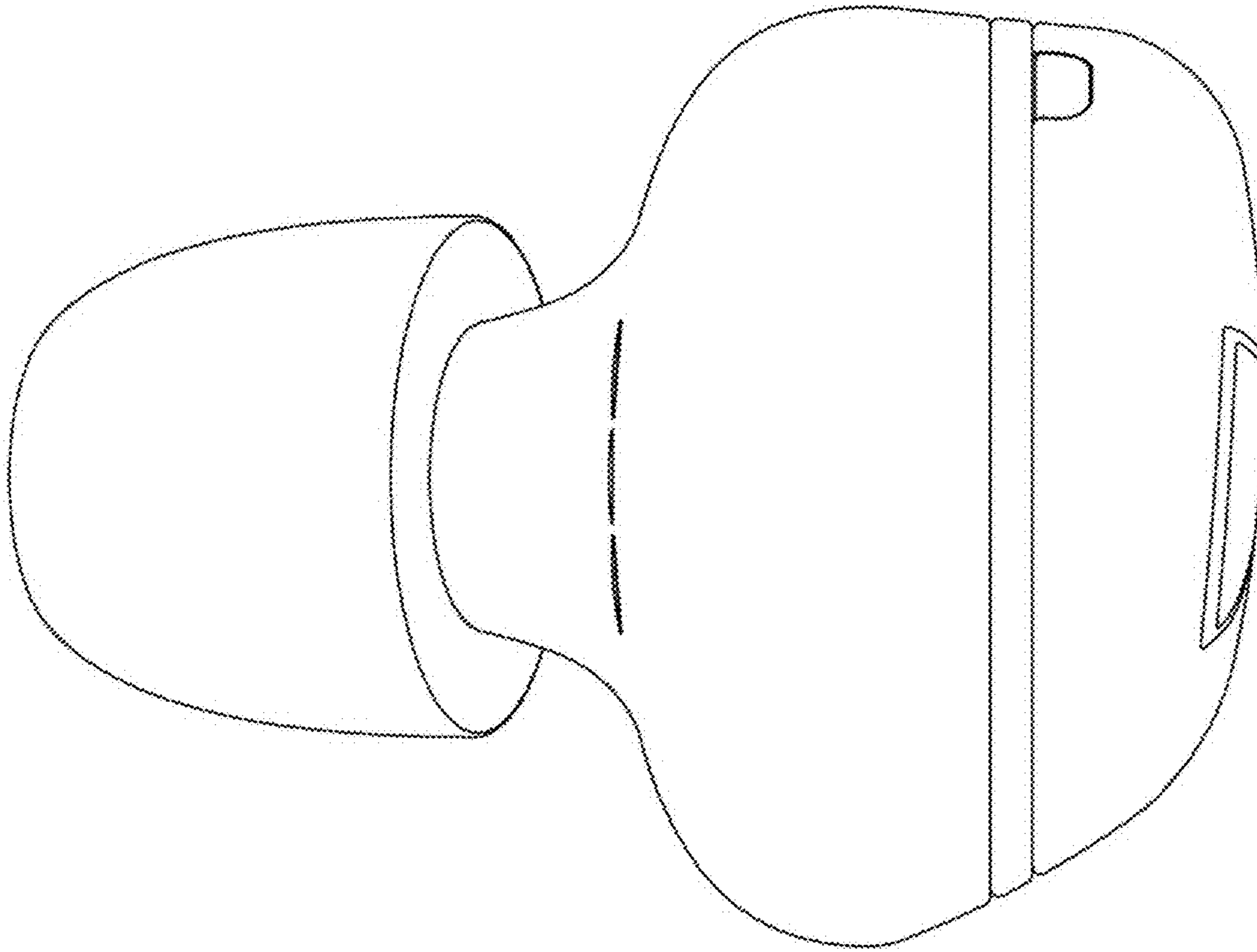
1.4



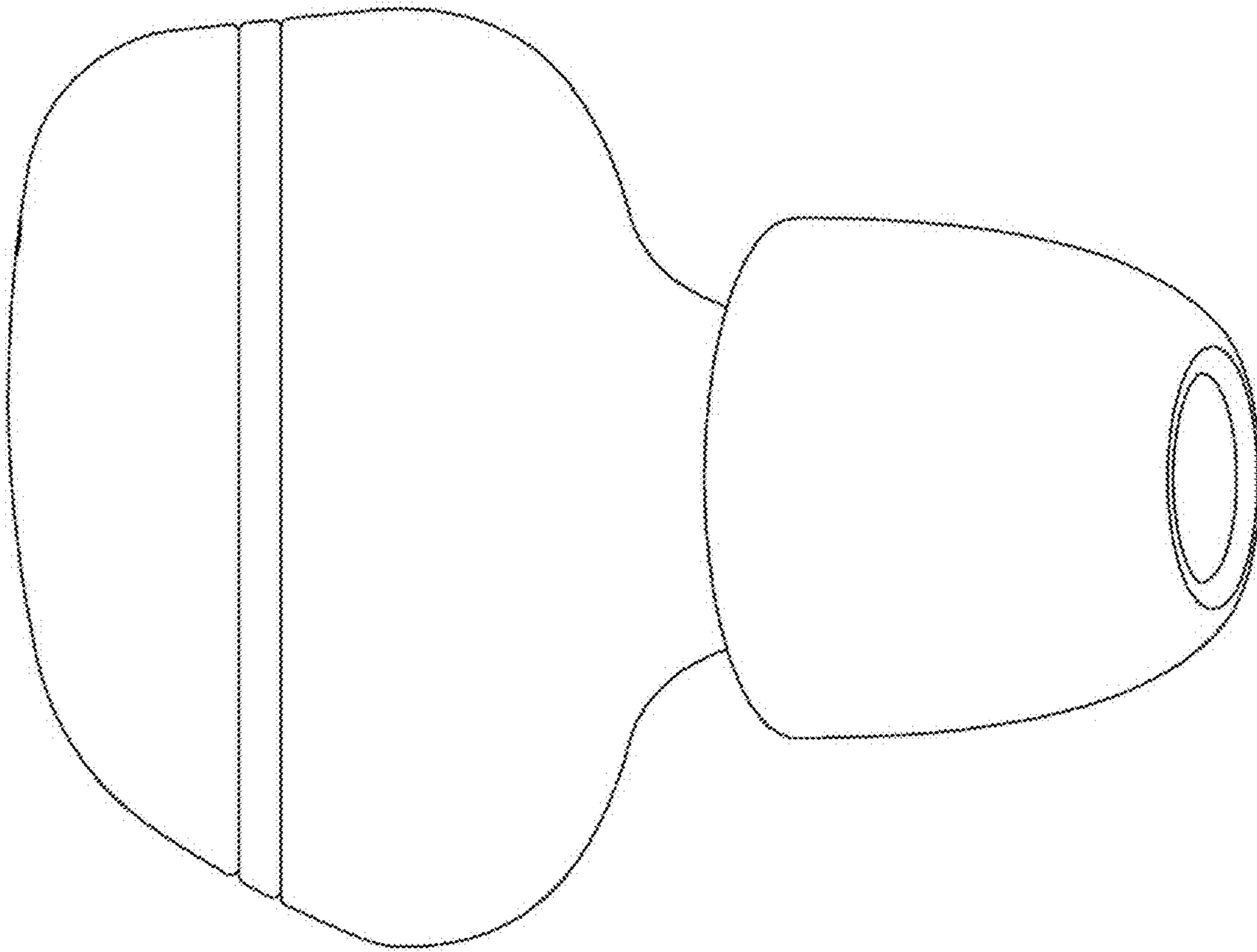
1.5



1.6



1.7





1.8

