



US00D826210S

(12) **United States Design Patent**  
**Chong**

(10) **Patent No.:** **US D826,210 S**

(45) **Date of Patent:** **\*\* Aug. 21, 2018**

(54) **HEADPHONE**

(71) Applicant: **RAZER (ASIA-PACIFIC) PTE. LTD.**,  
Singapore (SG)

(72) Inventor: **Boon Sim Chong**, Singapore (SG)

(73) Assignee: **RAZER (ASIA-PACIFIC) PTE. LTD.**,  
Singapore (SG)

(\*\*) Term: **15 Years**

(21) Appl. No.: **29/606,053**

(22) Filed: **Jun. 1, 2017**

(51) **LOC (11) Cl.** ..... **14-01**

(52) **U.S. Cl.**  
USPC ..... **D14/205**

(58) **Field of Classification Search**  
USPC ..... D14/205, 206, 188, 192; D29/112;  
2/209; 181/129, 130, 135; 379/430, 431;  
381/380, 381, 74, 370, 374; 455/90.3,  
455/575.1, 569.1

CPC .... H04R 1/1066; H04R 1/1016; H04R 5/033;  
H04R 5/0335; H04R 25/00; H04R 1/1091

See application file for complete search history.

(56) **References Cited**

**U.S. PATENT DOCUMENTS**

D328,074 S *	7/1992	Yamazaki	.....	D14/205
D353,817 S *	12/1994	Wada	.....	D14/205
5,406,037 A *	4/1995	Nageno	.....	H04R 5/0335
				181/129
D374,658 S *	10/1996	Bever	.....	D13/171
5,574,795 A *	11/1996	Seki	.....	H04R 5/0335
				381/370
D464,630 S *	10/2002	Woodworth	.....	D13/171
D469,411 S *	1/2003	Decosse	.....	D13/171
D481,375 S *	10/2003	Suzuki	.....	D14/206
D512,417 S *	12/2005	Hirakawa	.....	D14/223
D514,095 S *	1/2006	Wilson	.....	D14/223

D549,688 S *	8/2007	Suzuki	.....	D14/205
D563,382 S *	3/2008	Wikel	.....	D14/205
D588,098 S *	3/2009	Kurihara	.....	D14/205
D594,847 S *	6/2009	Suzuki	.....	D14/205
D606,970 S *	12/2009	Semcken	.....	D14/205
D616,865 S *	6/2010	Marchand	.....	D14/205
D635,959 S *	4/2011	Hutchieson	.....	D14/205
D642,554 S *	8/2011	Schaal	.....	D14/205
8,098,872 B2 *	1/2012	Chang	.....	H04R 1/1075
				381/370
D657,776 S *	4/2012	Lee	.....	D14/205
D663,716 S *	7/2012	Hardi	.....	D14/205
D671,914 S *	12/2012	Lee	.....	D14/205
D673,520 S *	1/2013	Tan	.....	D14/205
D677,243 S *	3/2013	Kitayama	.....	D14/205
D707,200 S *	6/2014	Yang	.....	H04R 1/1066
				D14/205

(Continued)

*Primary Examiner* — Paula Allen Greene

(74) *Attorney, Agent, or Firm* — Polsinelli PC

(57) **CLAIM**

I claim the ornamental design for a headphone, as shown and described.

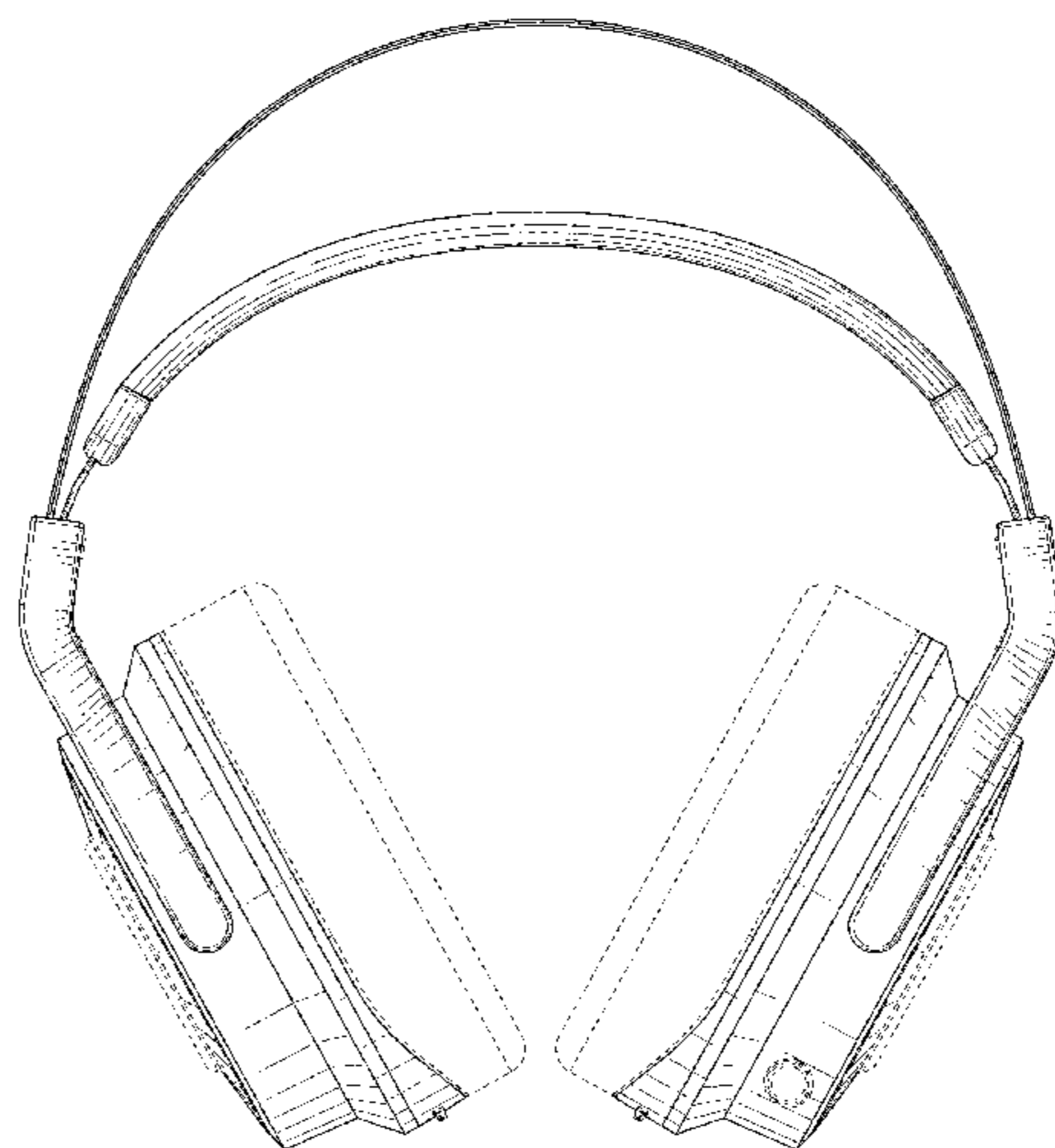
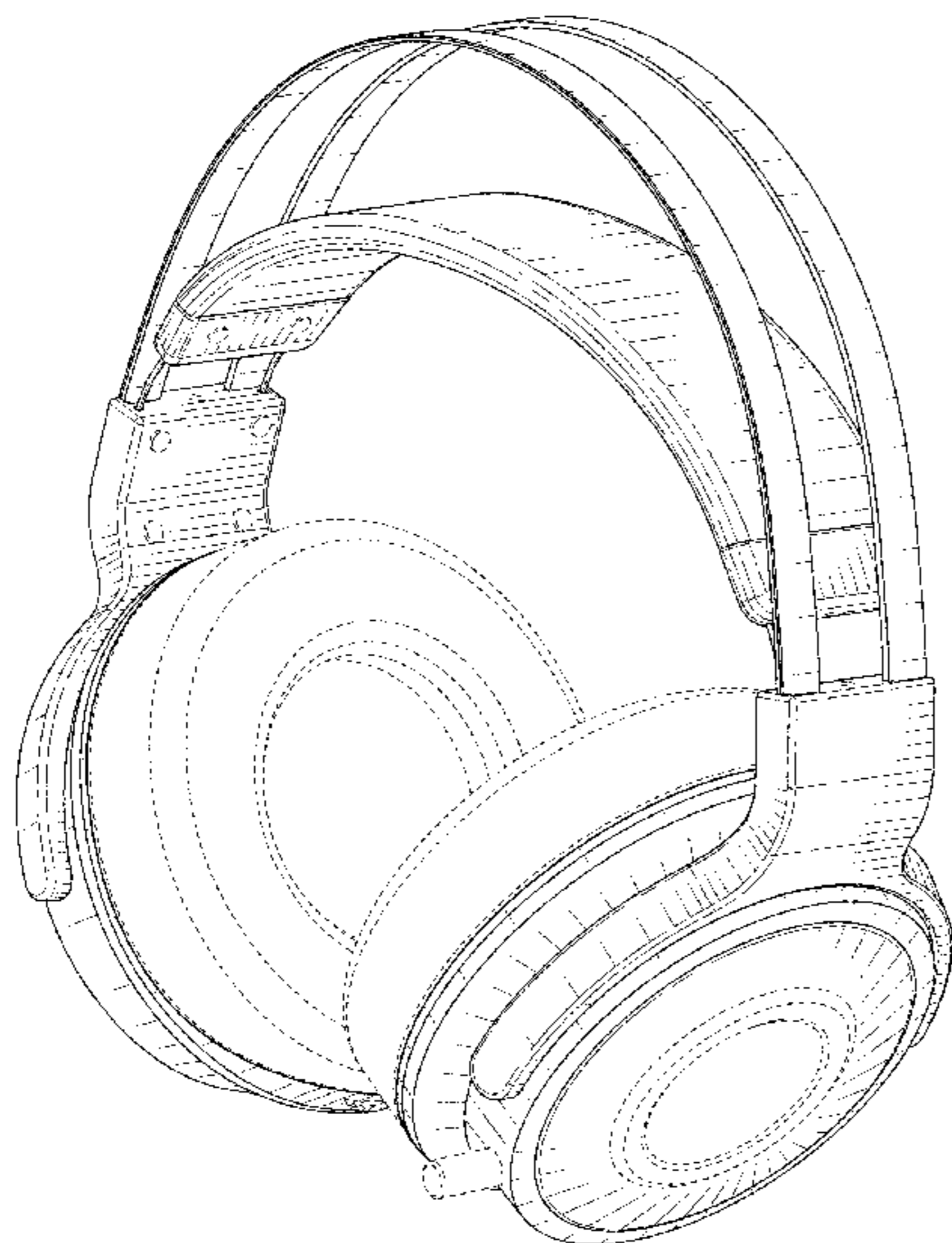
**DESCRIPTION**

FIG. 1 is a perspective view of an embodiment of a headphone, showing my new design; FIG. 2 is a front elevational view thereof; FIG. 3 is a rear elevational view thereof; FIG. 4 is a right side elevational view thereof; FIG. 5 is a left side elevational view thereof; FIG. 6 is a top plan view thereof; and, FIG. 7 is a bottom plan view thereof.

Broken lines are for illustrating unclaimed portions of the headphone; the broken lines form no part of the claimed design.

Any change in scale between different views is not intended to limit the headphone to a particular size.

**1 Claim, 6 Drawing Sheets**



(56)

**References Cited**

U.S. PATENT DOCUMENTS

D709,860	S	*	7/2014	Brunner	.....	H04S 1/005
						D14/205
D710,822	S	*	8/2014	Gan	.....	H04R 1/1066
						D14/205
D711,347	S	*	8/2014	Gan	.....	H04R 1/1066
						D14/205
D711,348	S	*	8/2014	Yang	.....	D14/205
D716,760	S	*	11/2014	Brunner	.....	D14/206
D719,134	S	*	12/2014	Gan	.....	D14/205
D719,136	S	*	12/2014	Schaal	.....	D14/205
D720,721	S	*	1/2015	Lu	.....	D14/205
D721,052	S	*	1/2015	Carr	.....	D14/205
D729,194	S	*	5/2015	Boeckel	.....	D14/205
D729,198	S	*	5/2015	Brunner	.....	H04R 5/033
						D14/205
D734,297	S	*	7/2015	Sasaki	.....	D14/205
D739,842	S	*	9/2015	Birger	.....	D14/205
D741,289	S	*	10/2015	Schaal	.....	D14/205
D758,337	S	*	6/2016	Szymanski	.....	D14/205
D761,761	S	*	7/2016	Ando	.....	D14/205
D787,470	S	*	5/2017	Kelly	.....	D14/205
D795,218	S	*	8/2017	Ohmachi	.....	D14/205
D795,835	S	*	8/2017	Nagannine	.....	D14/205
D800,691	S	*	10/2017	Ando	.....	D14/205
D811,365	S	*	2/2018	Czaniecki	.....	D14/205
D816,061	S	*	4/2018	Ando	.....	D14/205
2010/0310093	A1	*	12/2010	Senncken	.....	H04R 1/1058
						381/104

\* cited by examiner



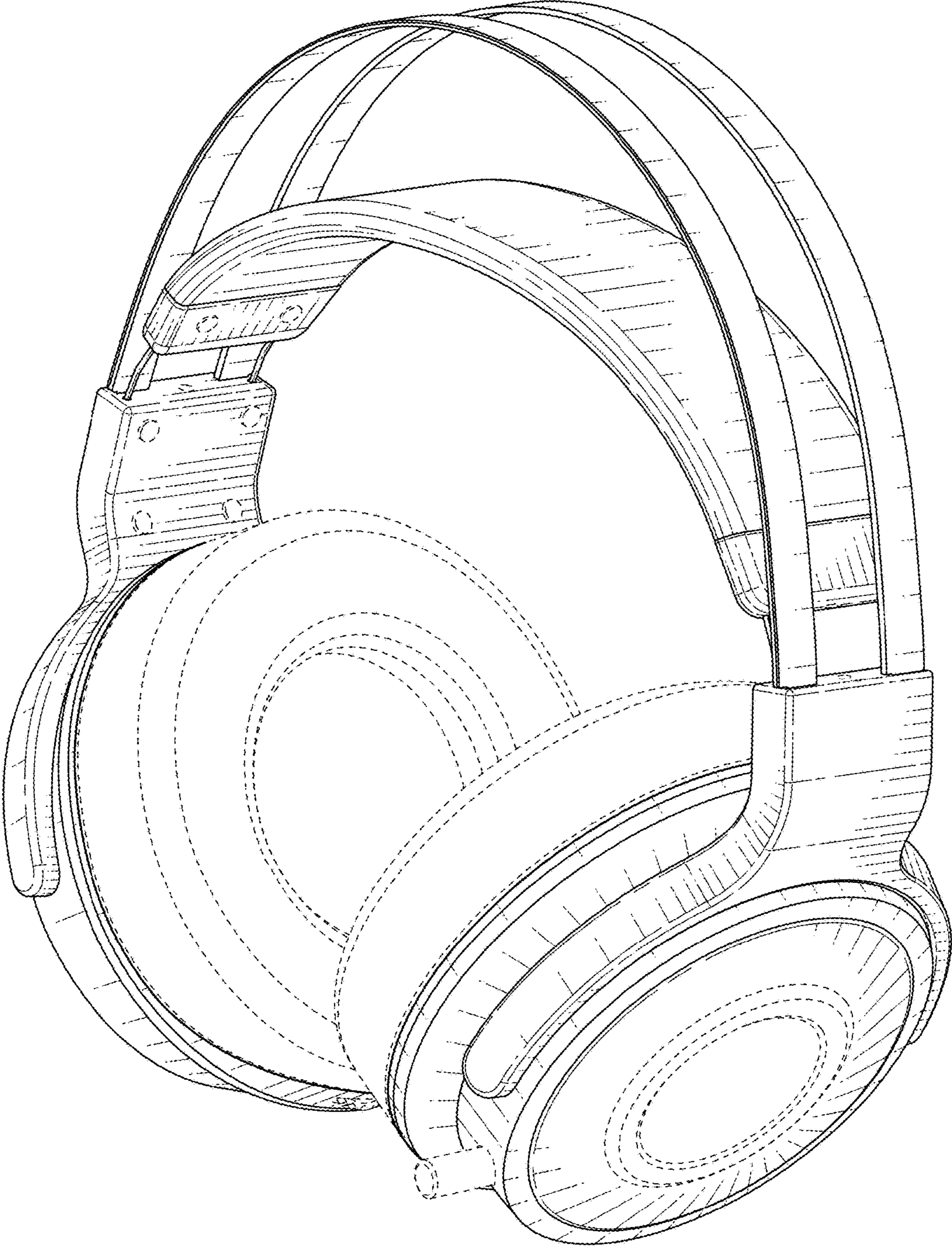


FIG. 1



FIG. 2

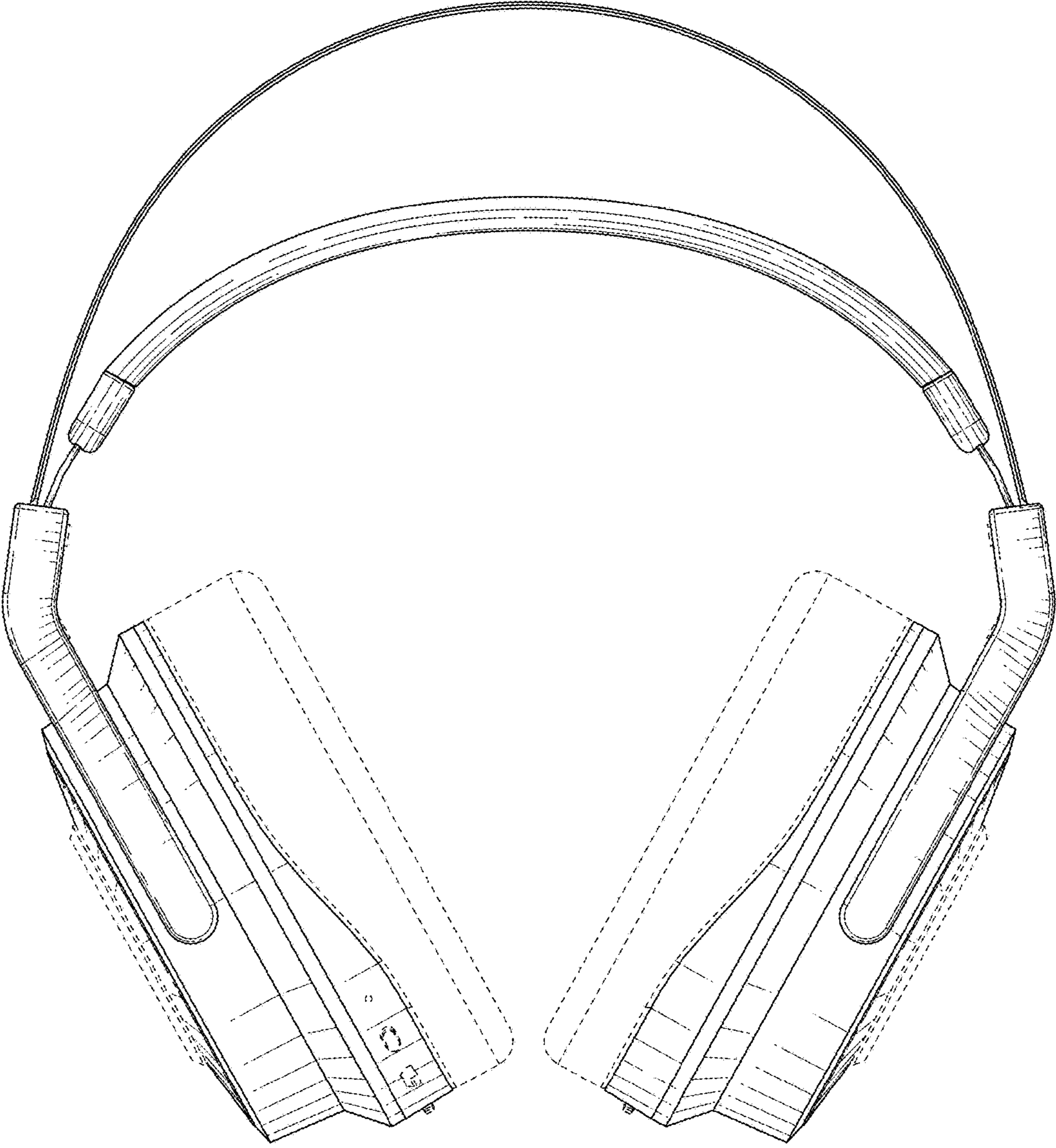


FIG. 3



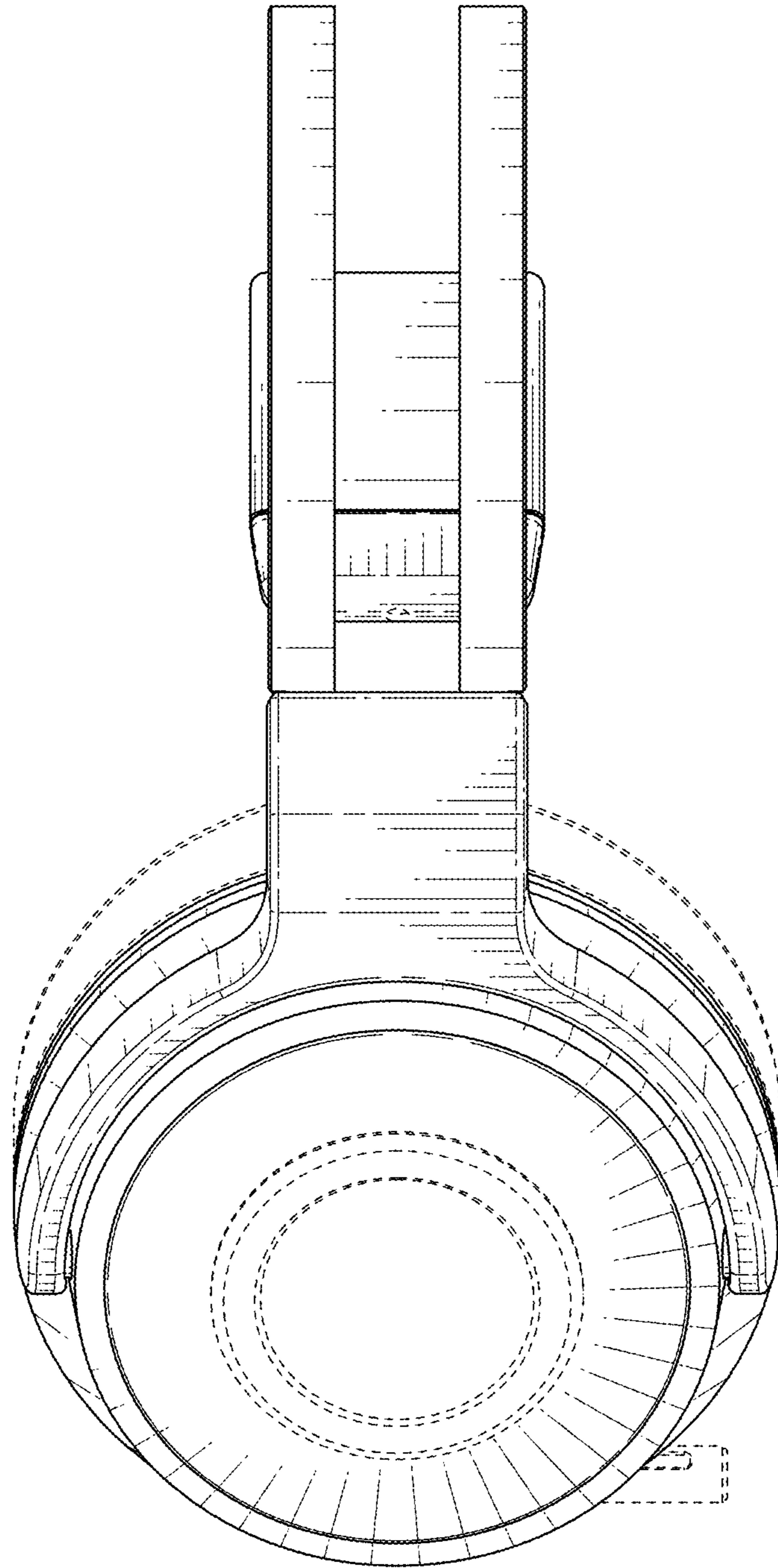


FIG. 4

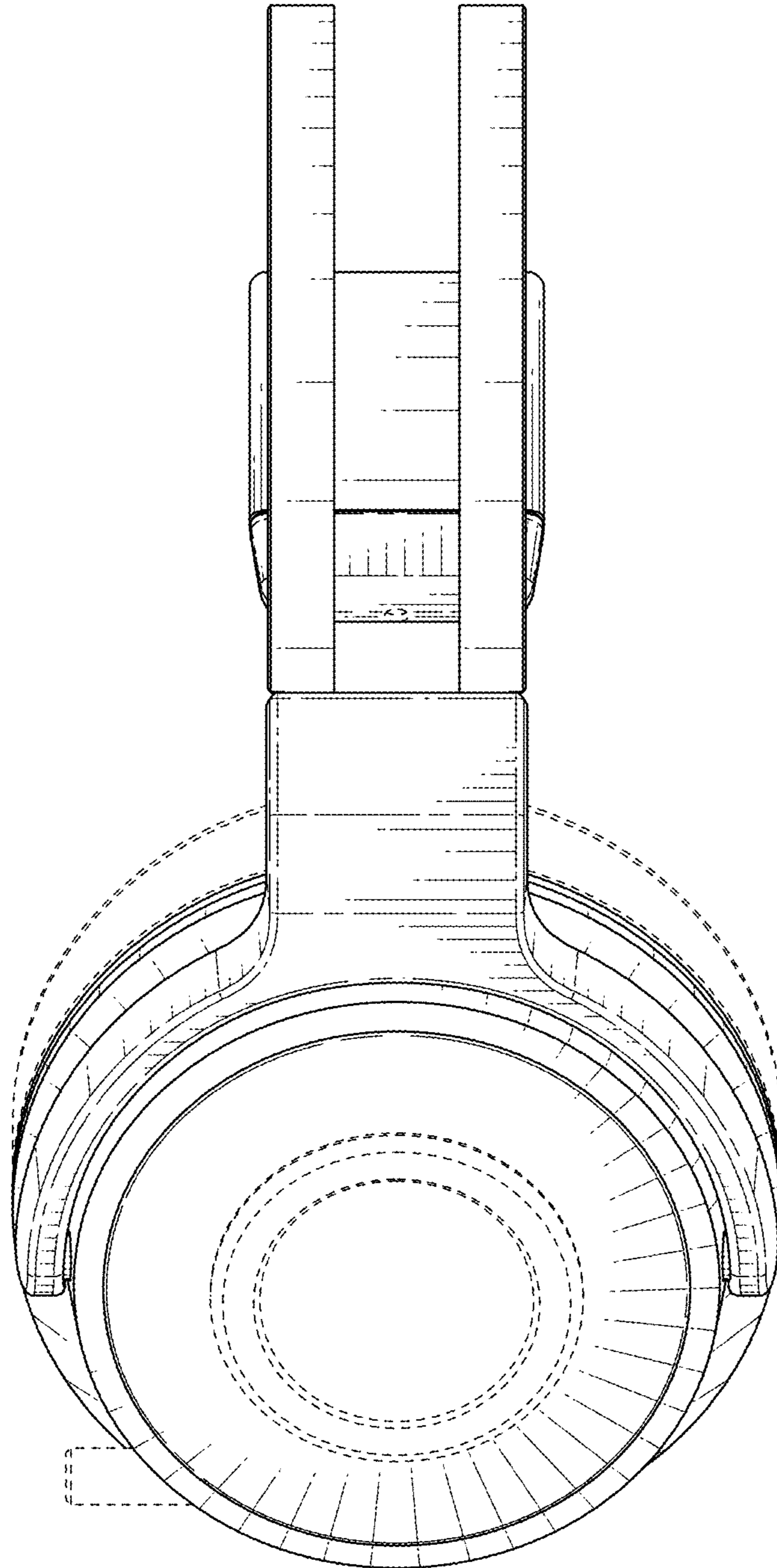


FIG. 5

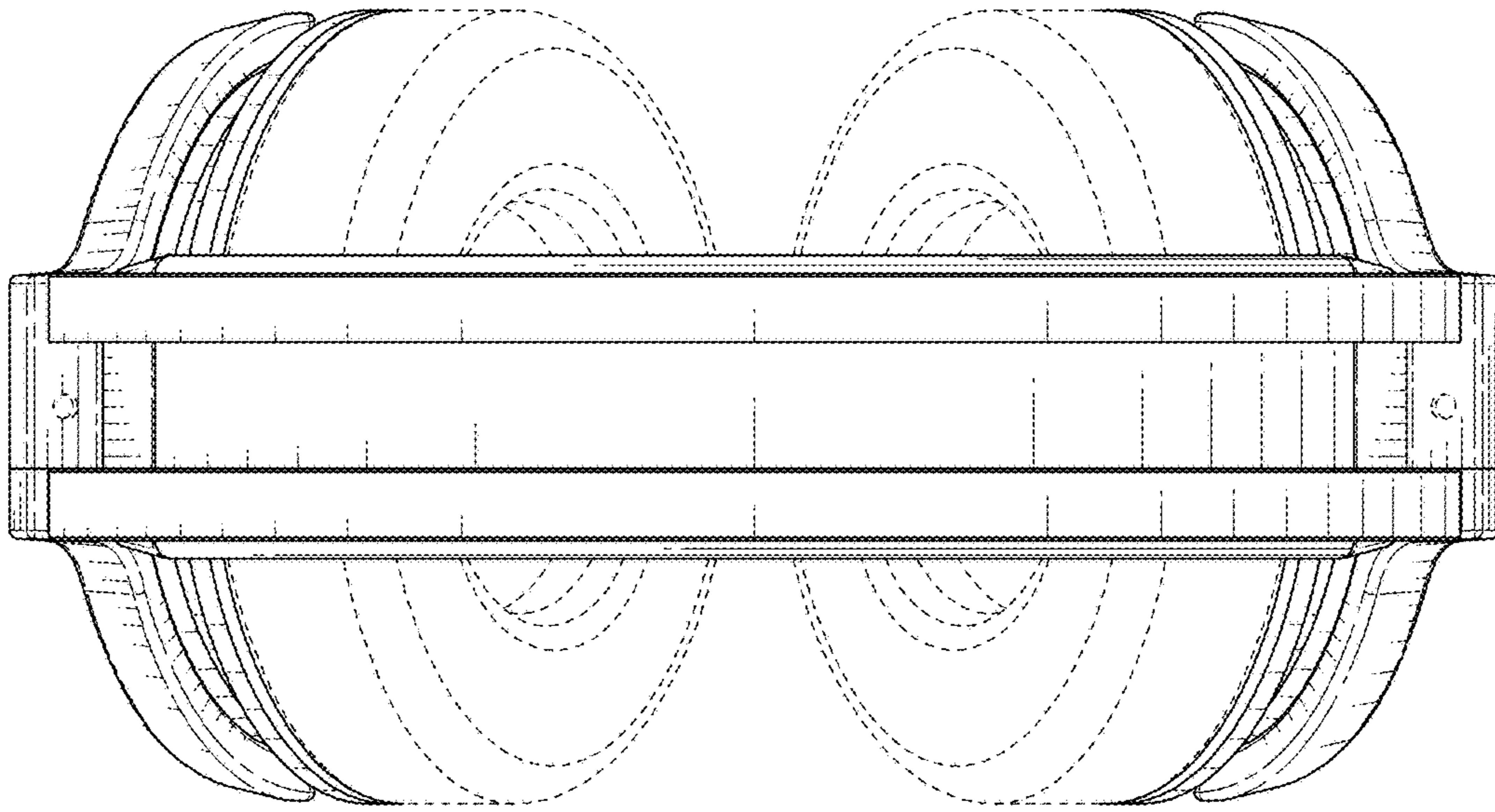


FIG. 6

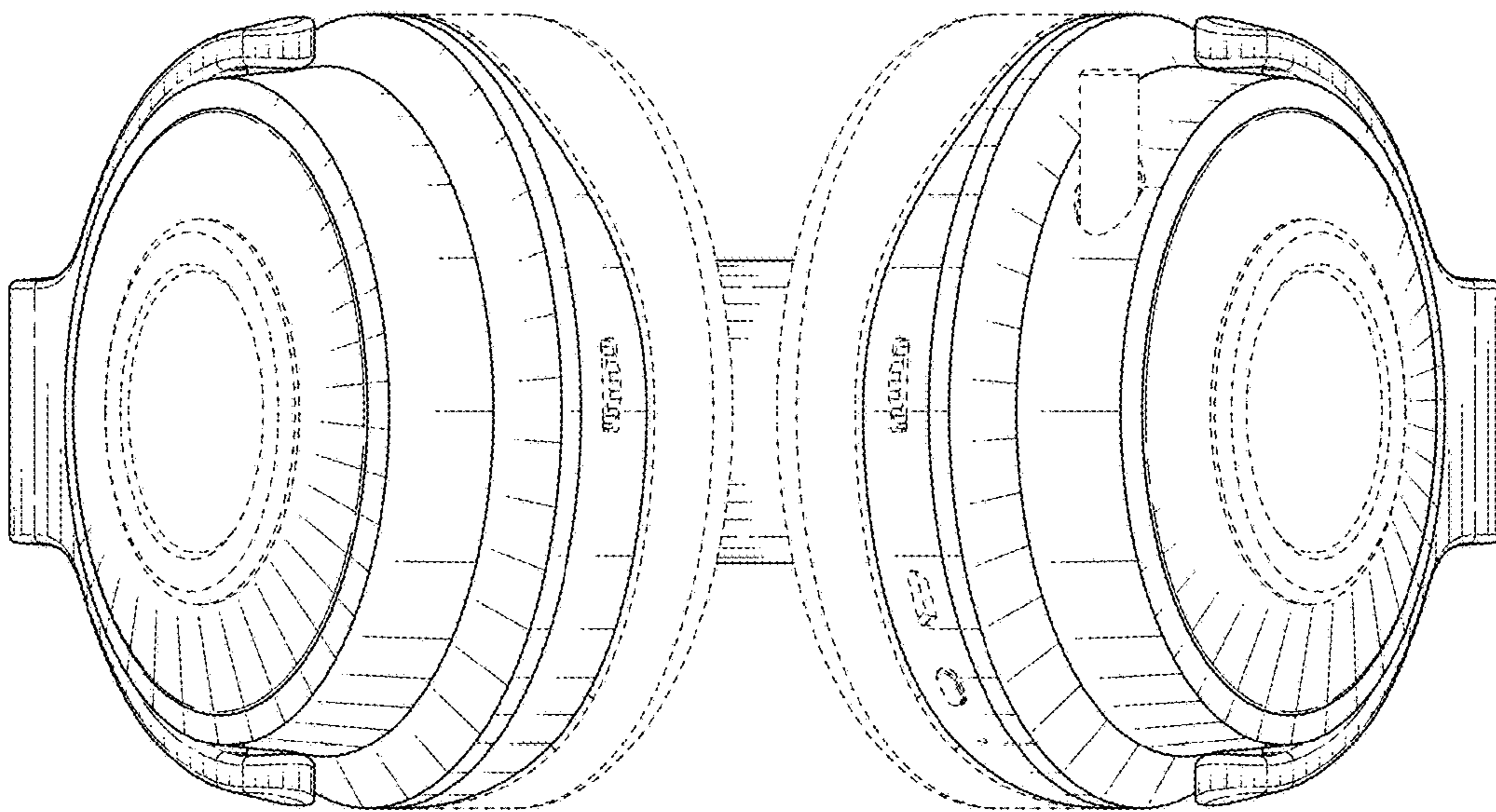


FIG. 7