



US00D826209S

(12) **United States Design Patent**
Homewood

(10) **Patent No.:** **US D826,209 S**

(45) **Date of Patent:** **** Aug. 21, 2018**

(54) **HEADPHONES**

(71) Applicant: **Gibson Brands, Inc.**, Nashville, TN
(US)

(72) Inventor: **Timothy Homewood**, Hong Kong (HK)

(73) Assignee: **Gibson Brands, Inc.**, Nashville, TN
(US)

(**) Term: **15 Years**

(21) Appl. No.: **29/598,047**

(22) Filed: **Mar. 22, 2017**

Related U.S. Application Data

(62) Division of application No. 29/530,830, filed on Jun. 19, 2015, now Pat. No. Des. 784,956.

(30) **Foreign Application Priority Data**

Dec. 19, 2014 (EP) 002602169

(51) **LOC (11) Cl.** **14-01**

(52) **U.S. Cl.**
USPC **D14/205**

(58) **Field of Classification Search**
USPC D14/205, 188, 192; D29/112; 181/129,
181/130, 135; 379/430, 431; 381/380,
381/381, 374, 370; 455/90.3, 575.1,
455/569.1

CPC H04R 1/1066; H04R 1/1016; H04R 5/033;
H04R 5/0335; H04R 1/105

See application file for complete search history.

(56) **References Cited**

U.S. PATENT DOCUMENTS

2,537,201 A * 1/1951 Amfitheatrof A61F 11/008
181/136
2,958,608 A * 11/1960 Barnard D04H 1/66
28/163

D237,114 S * 10/1975 Frolth D24/126
D246,519 S * 11/1977 Kato D14/205
4,404,434 A * 9/1983 Pelt H04R 5/0335
2/209
4,634,816 A * 1/1987 O'Malley H04M 1/05
379/430
D345,163 S * 3/1994 Yamatogi D14/205
5,406,037 A * 4/1995 Nageno H04R 5/0335
181/129
5,459,290 A * 10/1995 Yamagishi H04R 1/1075
181/129
D373,360 S * 9/1996 Kanno D14/205
D376,598 S * 12/1996 Hayashi D14/205
D409,197 S * 5/1999 Nakamura D14/205
D410,466 S * 6/1999 Mouri D14/205
5,989,682 A * 11/1999 Anderson B31F 1/07
156/209
D420,356 S * 2/2000 Suzuki D14/205
6,081,604 A * 6/2000 Hikichi H04R 1/083
381/124
D435,249 S * 12/2000 Yasutomi D14/205
D467,580 S * 12/2002 Mori D14/223
D502,938 S * 3/2005 Tokioka D14/205
D512,708 S * 12/2005 Harris, Jr. D14/205

(Continued)

Primary Examiner — Paula Allen Greene

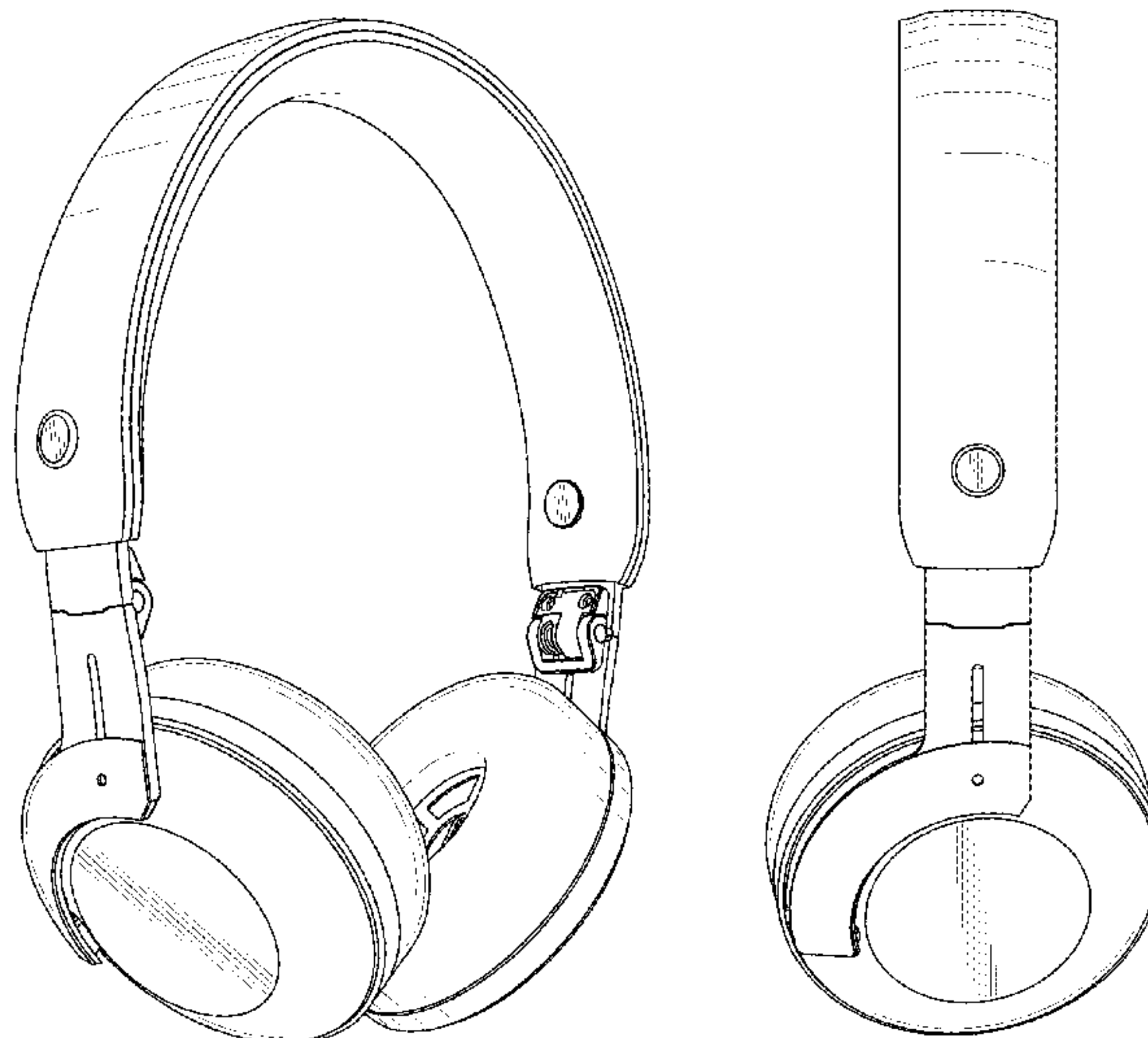
(57) **CLAIM**

What is claimed is the ornamental design for headphones, as shown and described.

DESCRIPTION

FIG. 1 is a front perspective view of the headphones;
FIG. 2 is a front view of the headphones;
FIG. 3 is back view of the headphones;
FIG. 4 is a right side view of the headphones;
FIG. 5 is a left side view of the headphones;
FIG. 6 is a top view of the headphones; and,
FIG. 7 is a bottom view of the headphones.

1 Claim, 7 Drawing Sheets



(56)

References Cited

U.S. PATENT DOCUMENTS

D567,215 S * 4/2008 Lee D14/205
 D573,581 S * 7/2008 Gondo D14/205
 7,580,539 B2 * 8/2009 Tachikawa H04R 1/1066
 381/374
 D625,705 S * 10/2010 Ohori D14/205
 D632,668 S * 2/2011 Brunner D14/205
 D635,958 S * 4/2011 Ando D14/205
 D639,776 S * 6/2011 Arimoto D14/205
 8,098,872 B2 * 1/2012 Chang H04R 1/1075
 381/370
 D657,344 S * 4/2012 Brunner D14/205
 D664,118 S * 7/2012 Tappeiner D14/205
 D673,136 S * 12/2012 Kelly D14/205
 D673,520 S * 1/2013 Tan D14/205
 D678,860 S * 3/2013 Hagelin D14/205
 D683,327 S * 5/2013 Dougherty D14/205
 D690,284 S * 9/2013 Brennwald D14/205
 D691,109 S * 10/2013 Hardi D14/205
 D695,263 S * 12/2013 Mogili D14/205
 D696,226 S * 12/2013 Brunner H04R 5/033
 D14/205
 D706,240 S * 6/2014 Szymanski H04R 1/1066
 D14/205
 D706,241 S * 6/2014 Szymanski H04R 1/1066
 D14/205
 D706,242 S * 6/2014 Yang H04R 1/1066
 D14/205

D707,200 S * 6/2014 Yang H04R 1/1066
 D14/205
 D707,653 S * 6/2014 Hardi H04R 1/10
 D14/205
 D716,762 S * 11/2014 Greve D14/206
 D727,289 S * 4/2015 Czaniecki D14/205
 D728,512 S * 5/2015 Nakagawa D14/205
 D736,174 S * 8/2015 Levine D14/205
 D736,175 S * 8/2015 Levine D14/205
 D739,378 S * 9/2015 Chung D14/205
 9,161,117 B2 * 10/2015 Blonder H04R 1/1066
 D755,753 S * 5/2016 Nakagawa D14/205
 D758,337 S * 6/2016 Szymanski D14/205
 D759,626 S * 6/2016 Wagner D14/205
 D765,055 S * 8/2016 Hsieh D14/205
 D766,870 S * 9/2016 Catalano D14/205
 D784,956 S * 4/2017 Homewood D14/205
 D785,593 S * 5/2017 Nakagawa D14/205
 D786,824 S * 5/2017 Hembrey D14/205
 D811,365 S * 2/2018 Czaniecki D14/205
 2001/0017925 A1 * 8/2001 Ceravolo H04M 1/05
 381/370
 2004/0125977 A1 * 7/2004 Hong H04R 1/1033
 381/376
 2009/0205110 A1 * 8/2009 Chiang A61F 11/06
 2/209
 2016/0080853 A1 * 3/2016 Chen H04R 1/1041
 381/74

* cited by examiner

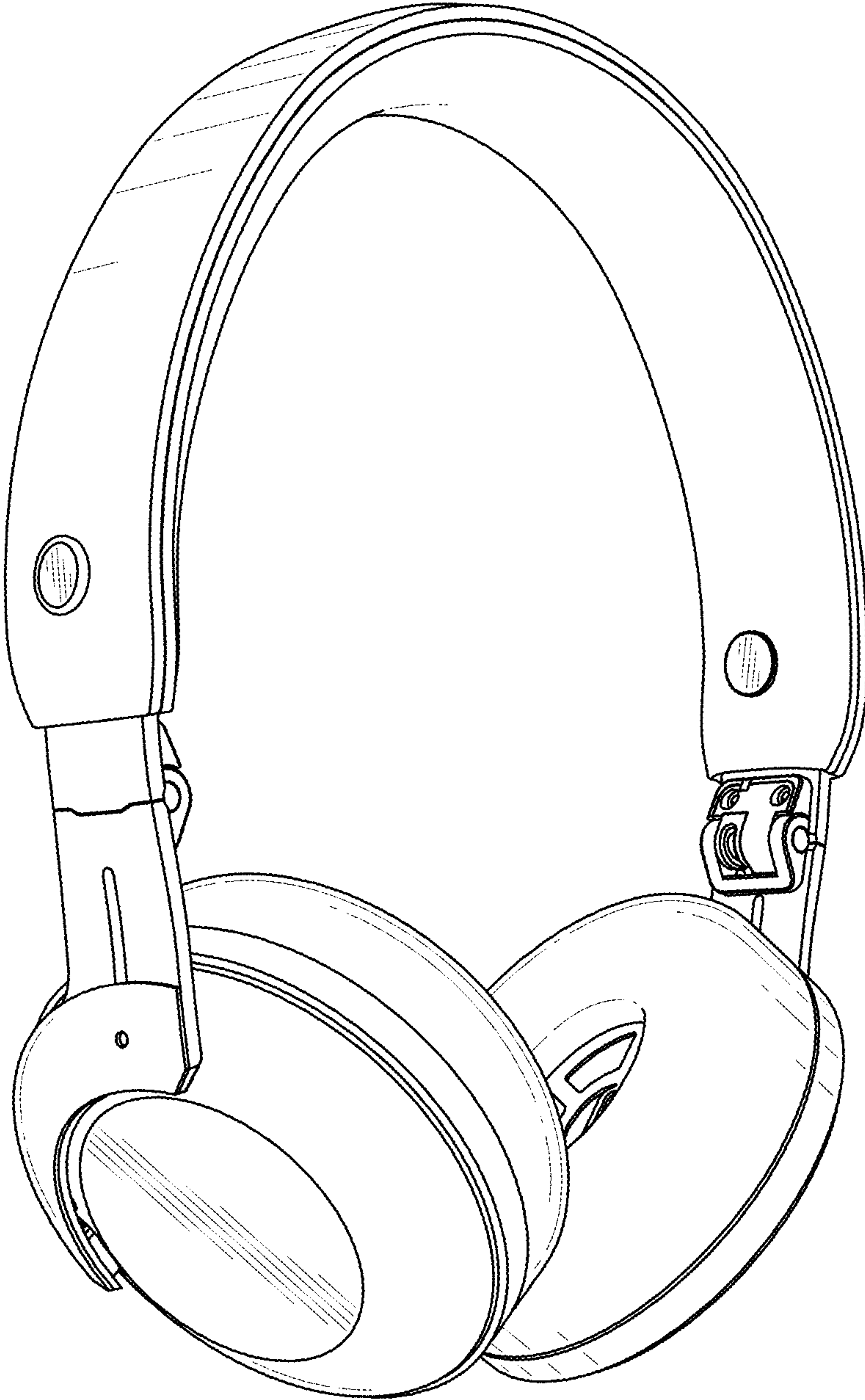


FIG. 1



FIG. 2



FIG. 3

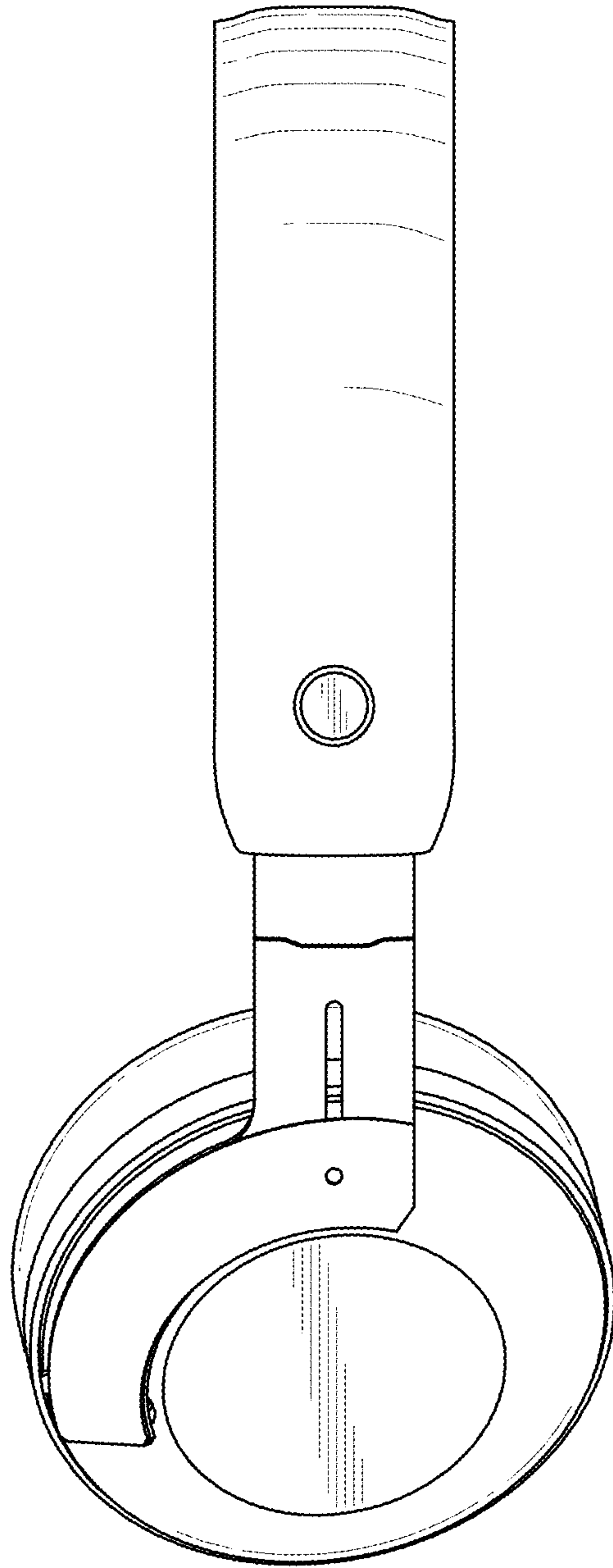


FIG. 4

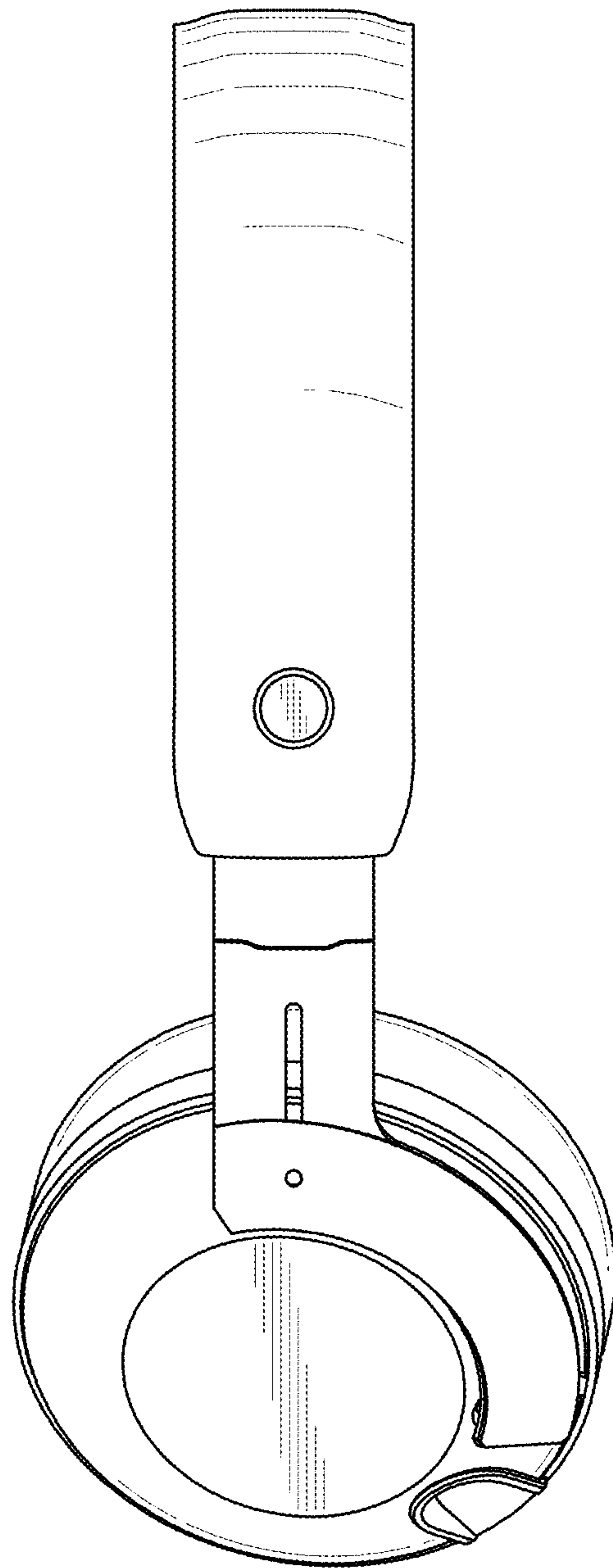


FIG. 5

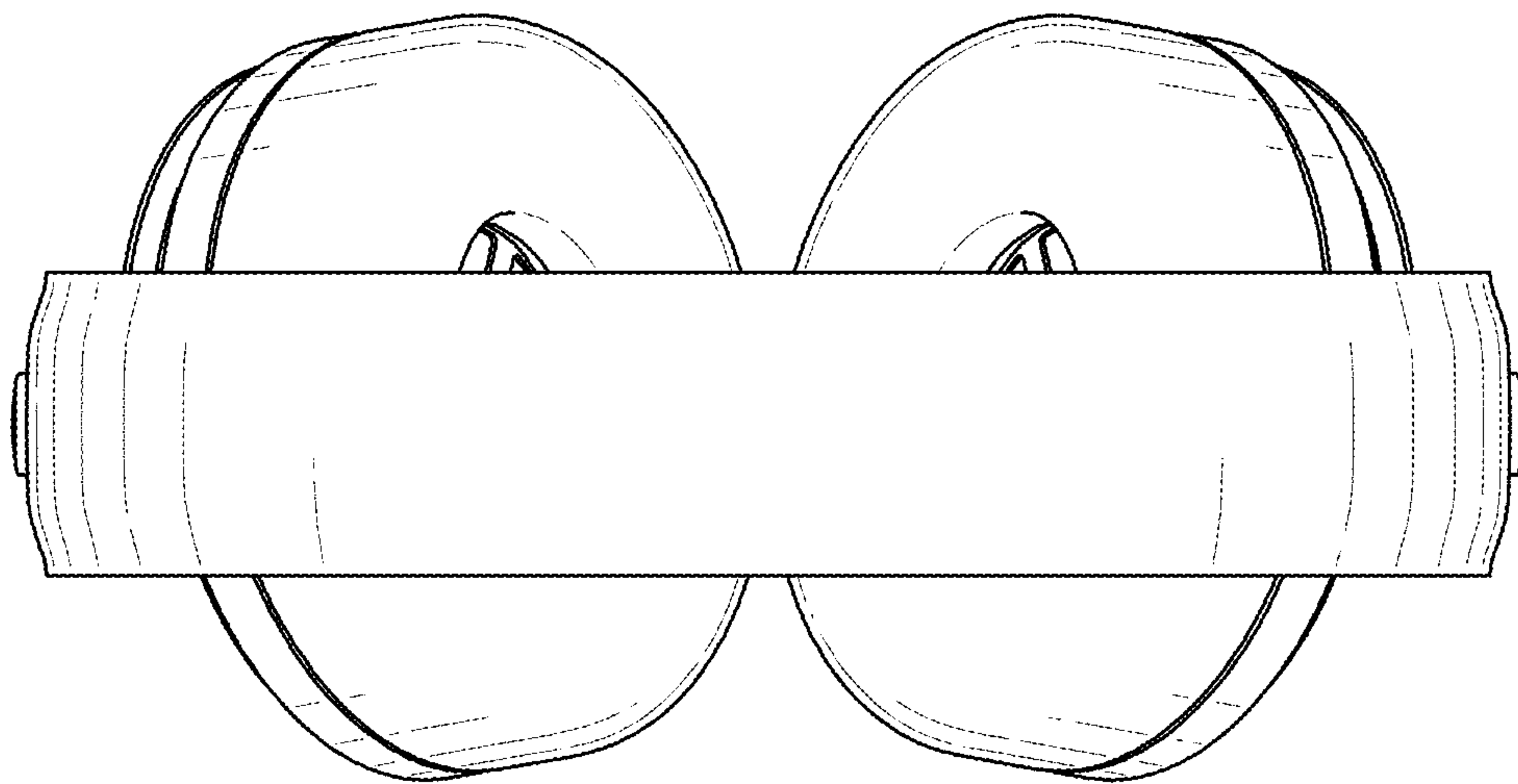


FIG. 6

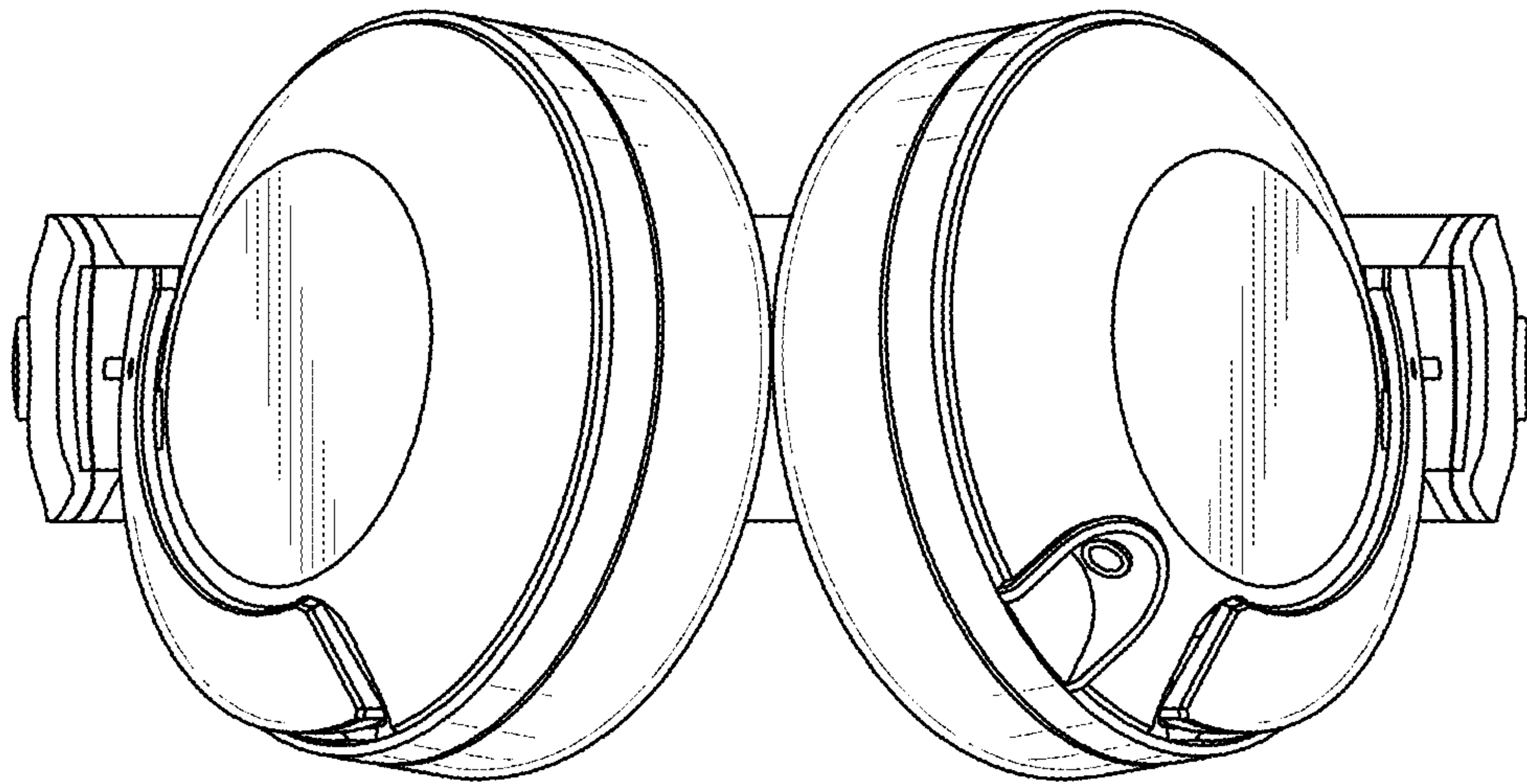


FIG. 7