



US00D826208S

(12) **United States Design Patent**
Czaniecki

(10) **Patent No.:** **US D826,208 S**

(45) **Date of Patent:** **** Aug. 21, 2018**

(54) **HEADPHONE**

(71) Applicant: **Harman International Industries, Incorporated**, Northridge, CA (US)

(72) Inventor: **Rafal Czaniecki**, Shenzhen (CN)

(73) Assignee: **Harman International Industries, Incorporated**, Northridge, CA (US)

(**) Term: **15 Years**

(21) Appl. No.: **29/593,690**

(22) Filed: **Feb. 10, 2017**

Related U.S. Application Data

(63) Continuation-in-part of application No. 29/576,135, filed on Aug. 31, 2016, now Pat. No. Des. 811,365.

(51) **LOC (11) Cl.** **14-01**

(52) **U.S. Cl.**
USPC **D14/205**

(58) **Field of Classification Search**
USPC D14/205, 188, 192; D29/112; 2/209;
181/129, 130, 135; 379/430, 431;
381/380, 381, 370, 371, 374, 375, 382,
381/384, 383; 455/90.3, 575.1, 569.1
CPC H04R 25/00; H04R 25/02; H04R 1/1066;
H04R 1/1016; H04R 5/033; H04R
5/0335; H04R 1/10

See application file for complete search history.

(56) **References Cited**

U.S. PATENT DOCUMENTS

- 2,782,423 A * 2/1957 Simon A61F 11/14
2/209
- 3,440,663 A * 4/1969 Beguin A61F 11/14
2/209
- 3,454,964 A 7/1969 Brinkhoff
- 3,505,684 A * 4/1970 Hutchinson A61F 11/14
2/209

- D229,833 S 1/1974 Becker
- 3,815,155 A 6/1974 Davison et al.
- D246,259 S * 11/1977 Nishimura D14/205
- D255,352 S 6/1980 Besasie
- 4,471,496 A * 9/1984 Gardner, Jr. A61F 11/14
2/209
- D291,690 S * 9/1987 Tabachnik D14/205
- 4,829,571 A * 5/1989 Kakiuchi H04R 1/1033
381/309
- 5,018,599 A 5/1991 Dohi et al.
- D317,767 S * 6/1991 Banks D14/205
- 5,035,005 A * 7/1991 Hung H04M 1/05
2/209
- 5,068,923 A 12/1991 Sjoqvist
- 5,095,382 A * 3/1992 Abe H04B 10/114
320/107

(Continued)

Primary Examiner — Paula Allen Greene

(74) *Attorney, Agent, or Firm* — Plumsea Law Group, LLC

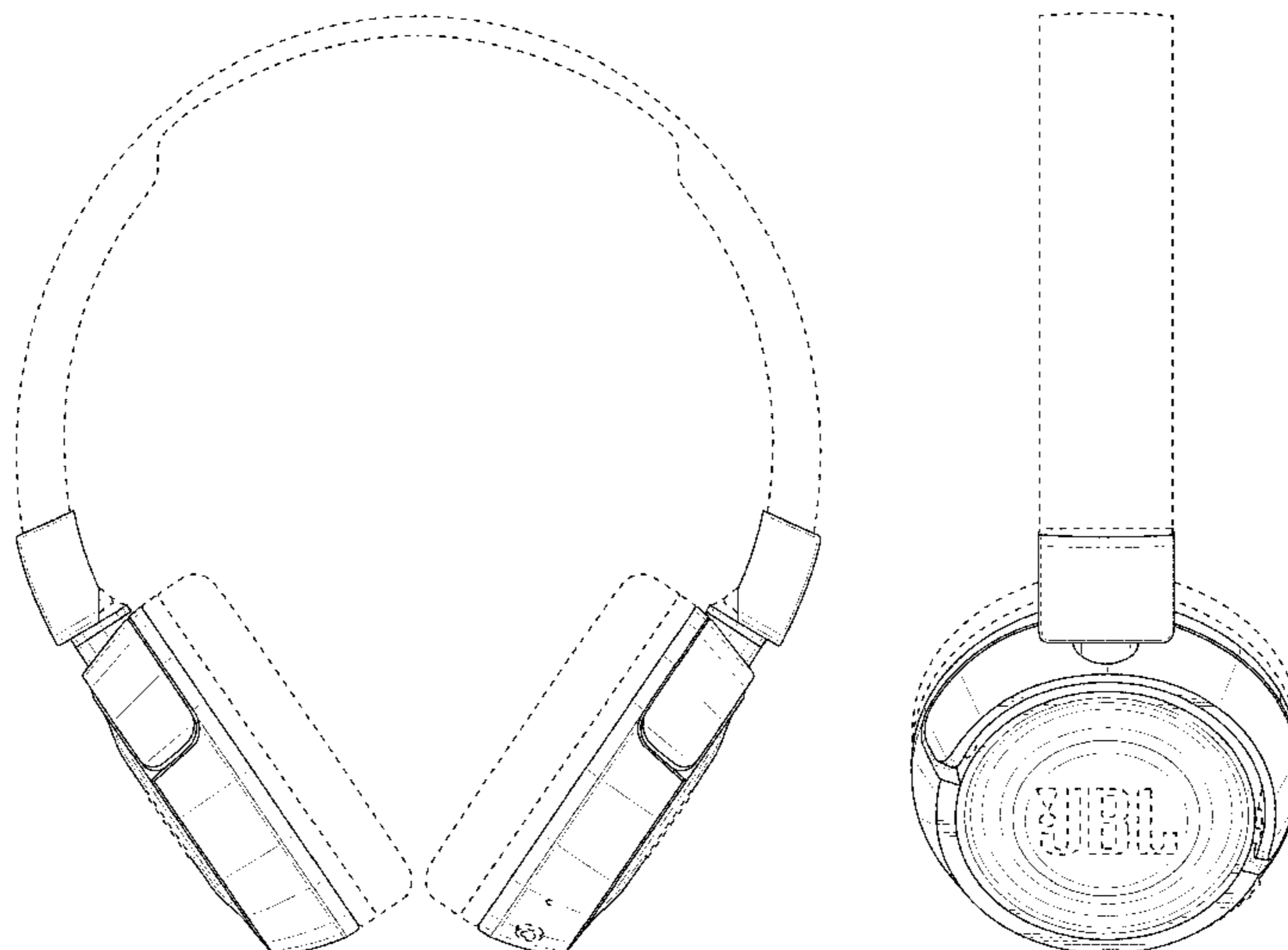
(57) **CLAIM**

The ornamental design for a headphone, as shown and described.

DESCRIPTION

FIG. 1 is a perspective view of a headphone showing the new design;
 FIG. 2 is a front elevational view thereof;
 FIG. 3 is a rear elevational view thereof;
 FIG. 4 is a side elevational view of one side thereof;
 FIG. 5 is a side elevational view of the opposite side thereof;
 FIG. 6 is a top plan view thereof;
 FIG. 7 is a bottom plan view thereof;
 FIG. 8 is another perspective view thereof; and,
 FIG. 9 is another perspective view thereof, in a folded configuration.
 The broken lines and unshaded areas form no part of the claimed design.

1 Claim, 9 Drawing Sheets



(56)

References Cited

U.S. PATENT DOCUMENTS

D328,074 S 7/1992 Yamazaki et al.
 D328,461 S 8/1992 Daido et al.
 5,406,037 A 4/1995 Nageno et al.
 D375,584 S 11/1996 Westerdal
 5,574,795 A * 11/1996 Seki H04R 5/0335
 381/370
 5,640,458 A * 6/1997 Nishiguchi G11C 7/16
 381/2
 5,862,241 A * 1/1999 Nelson H04R 1/105
 381/374

 D410,466 S 6/1999 Mouri
 D484,485 S 12/2003 Matsuoka
 D491,163 S 6/2004 Green
 D512,708 S 12/2005 Harris, Jr. et al.
 D532,407 S 11/2006 Motoishi
 D538,261 S * 3/2007 Taylor D14/205
 D540,301 S 4/2007 Obata
 D541,255 S 4/2007 Taylor et al.
 D563,382 S 3/2008 Wikel
 D567,215 S * 4/2008 Lee D14/205
 7,388,960 B2 6/2008 Kuo et al.
 D573,581 S 7/2008 Gonda et al.
 D581,394 S 11/2008 Lee
 D585,871 S 2/2009 Lee
 D592,639 S * 5/2009 Kuh D14/205
 D594,847 S 6/2009 Suzuki
 D620,474 S 7/2010 Komiyama
 D635,959 S 4/2011 Hutchieson
 D638,397 S 5/2011 McManigal
 D639,776 S 6/2011 Arimoto
 D642,554 S 8/2011 Schaal et al.
 8,098,872 B2 1/2012 Chang
 D665,775 S 8/2012 Katsumata
 D666,990 S * 9/2012 Komiyama D14/205
 8,325,962 B2 12/2012 Ishida et al.
 D677,243 S * 3/2013 Kitayama D14/205
 D678,860 S 3/2013 Hagelin

D683,329 S 5/2013 Hagelin
 D691,579 S 10/2013 Lee et al.
 D691,583 S * 10/2013 Kitayama D14/205
 D697,495 S 1/2014 Lian
 D705,750 S 5/2014 Wu et al.
 D706,240 S 6/2014 Szymanski et al.
 D706,241 S 6/2014 Szymanski et al.
 D707,200 S 6/2014 Yang
 D708,164 S * 7/2014 Ishikura D14/205
 D716,762 S 11/2014 Greve
 D719,136 S 12/2014 Schaal et al.
 D721,052 S 1/2015 Carr et al.
 D722,998 S * 2/2015 Sancho D14/205
 D728,512 S * 5/2015 Nakagawa D14/205
 D729,194 S 5/2015 Boeckel et al.
 D734,297 S 7/2015 Sasaki et al.
 D737,799 S 9/2015 Carr et al.
 D739,842 S 9/2015 Birger
 D741,289 S 10/2015 Schaal et al.
 D750,041 S 2/2016 Birger
 D758,337 S 6/2016 Szymanski
 D761,761 S * 7/2016 Ando D14/205
 D763,226 S * 8/2016 Petersen D14/205
 D765,055 S 8/2016 Hsieh et al.
 D767,531 S 9/2016 Szymanski
 D777,701 S * 1/2017 Czaniecki D14/205
 D781,265 S * 3/2017 Levine D14/205
 D784,298 S 4/2017 Ozawa et al.
 D787,470 S 5/2017 Kelly et al.
 D810,724 S * 2/2018 Czaniecki D14/223
 D811,365 S * 2/2018 Czaniecki D14/205
 D811,366 S * 2/2018 Mackiewicz D14/205
 2001/0017925 A1 8/2001 Ceravolo
 2009/0268936 A1 10/2009 Goldberg et al.
 2010/0310093 A1 12/2010 Semcken
 2013/0177165 A1 7/2013 Oishi
 2014/0270228 A1 * 9/2014 Oishi H04R 1/10
 381/74
 2014/0363016 A1 12/2014 Blonder

* cited by examiner

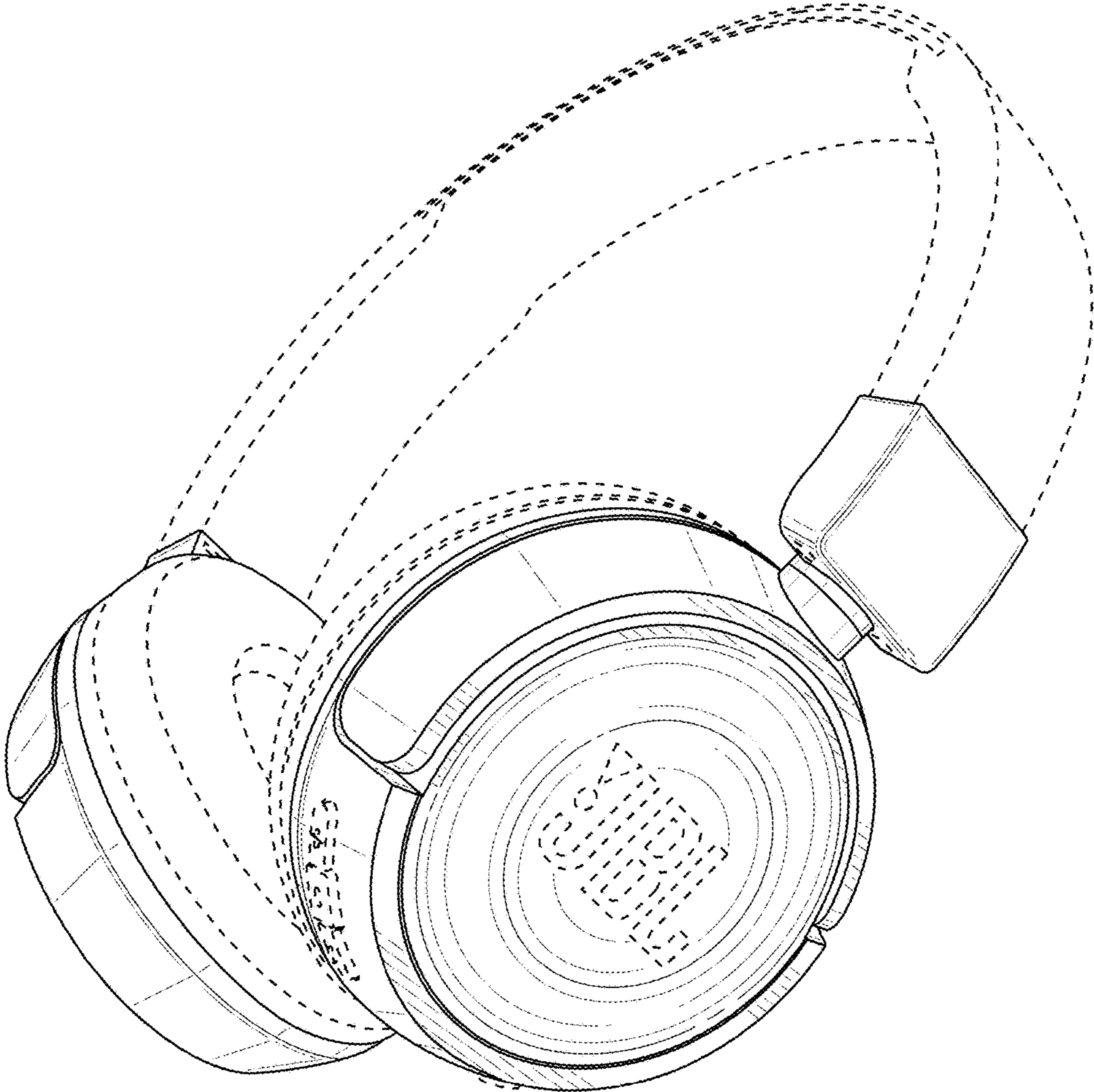


FIG. 1

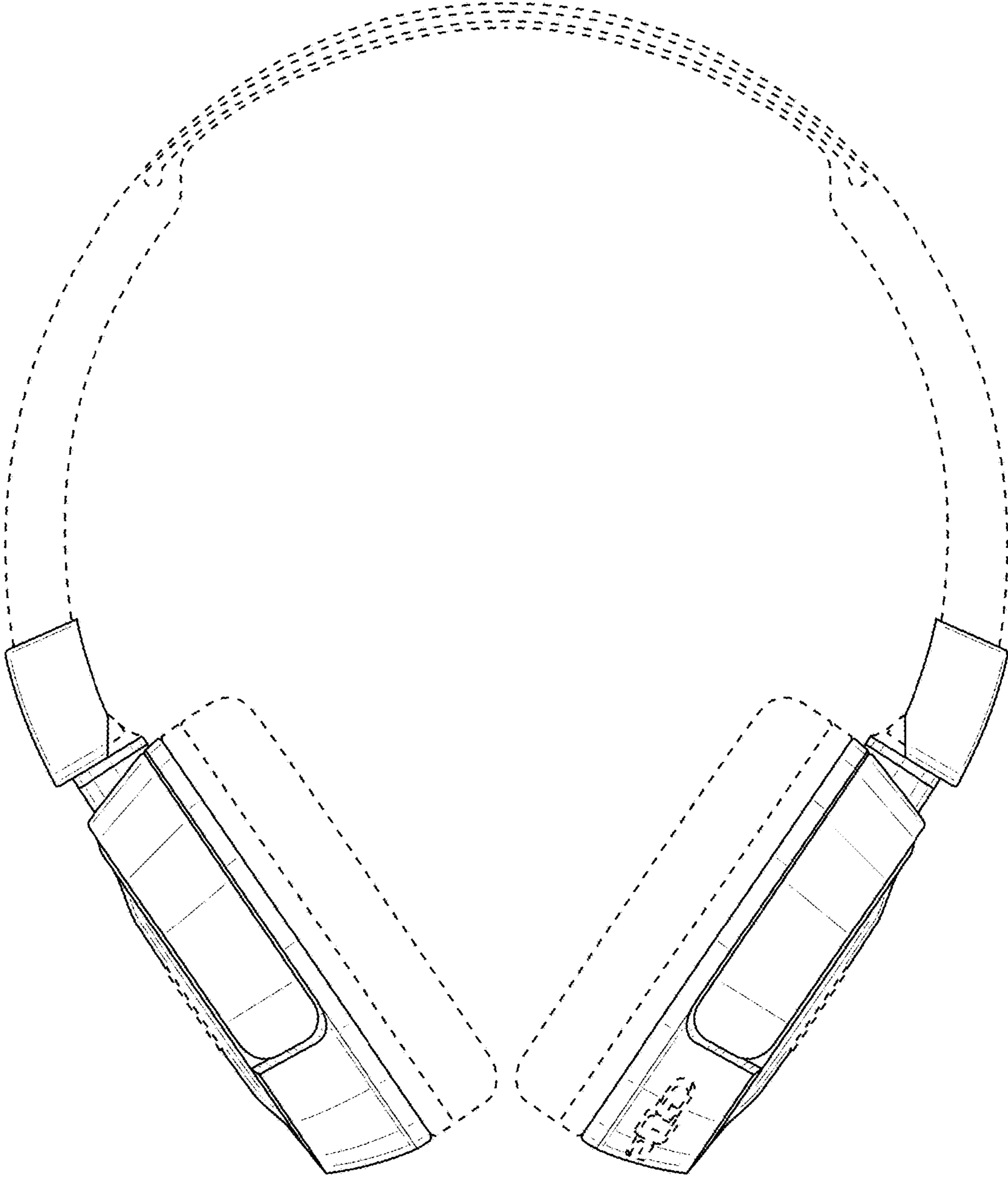


FIG. 2

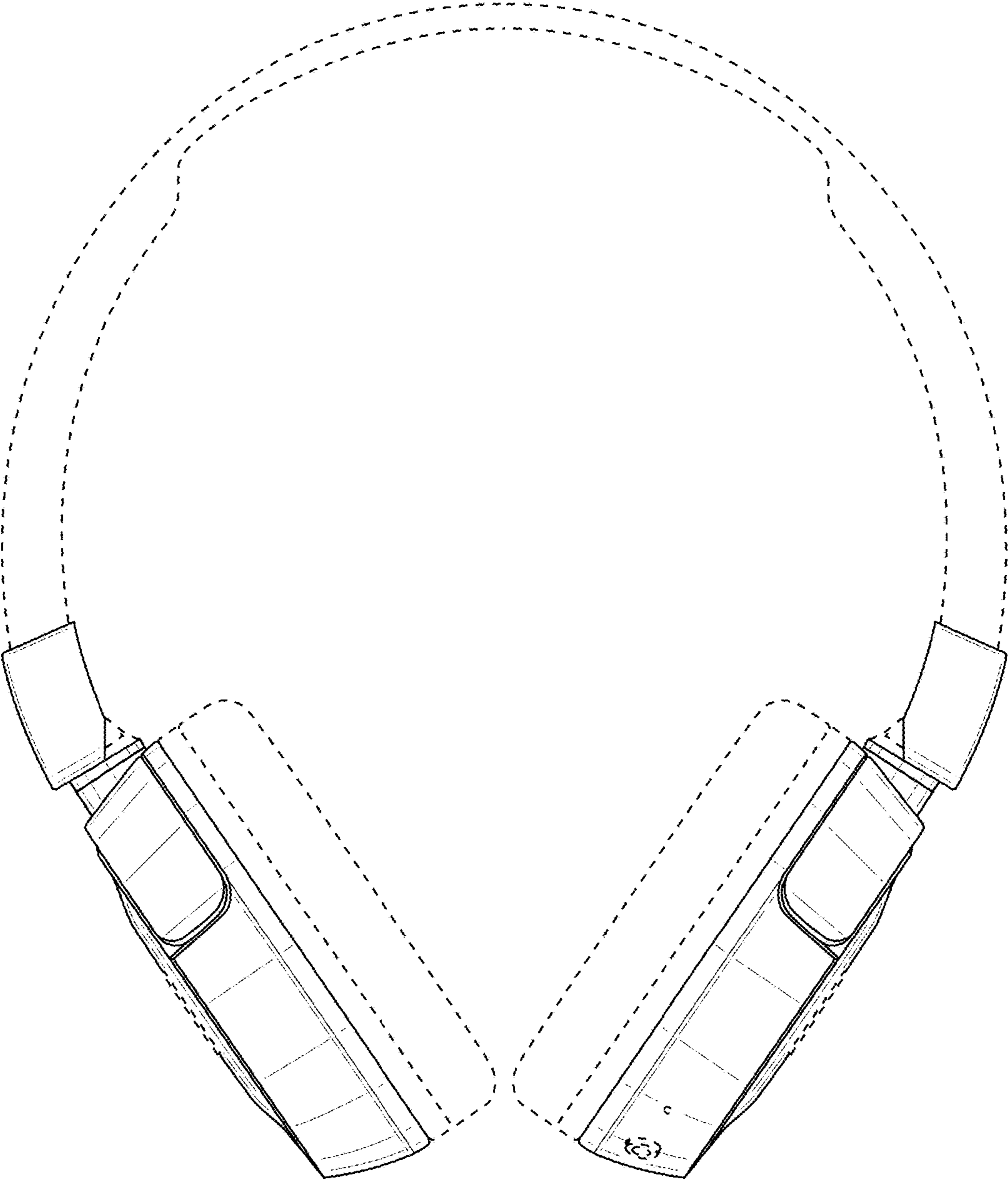


FIG. 3

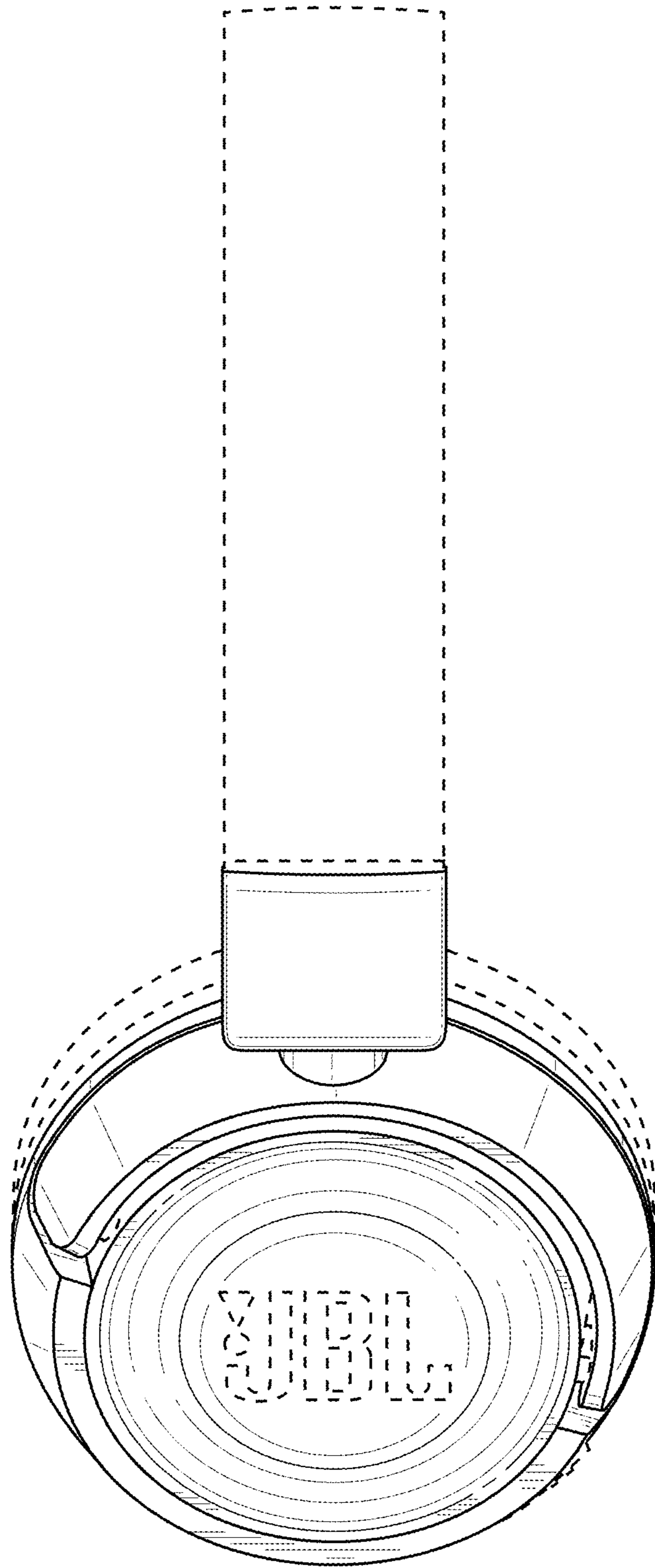


FIG. 4

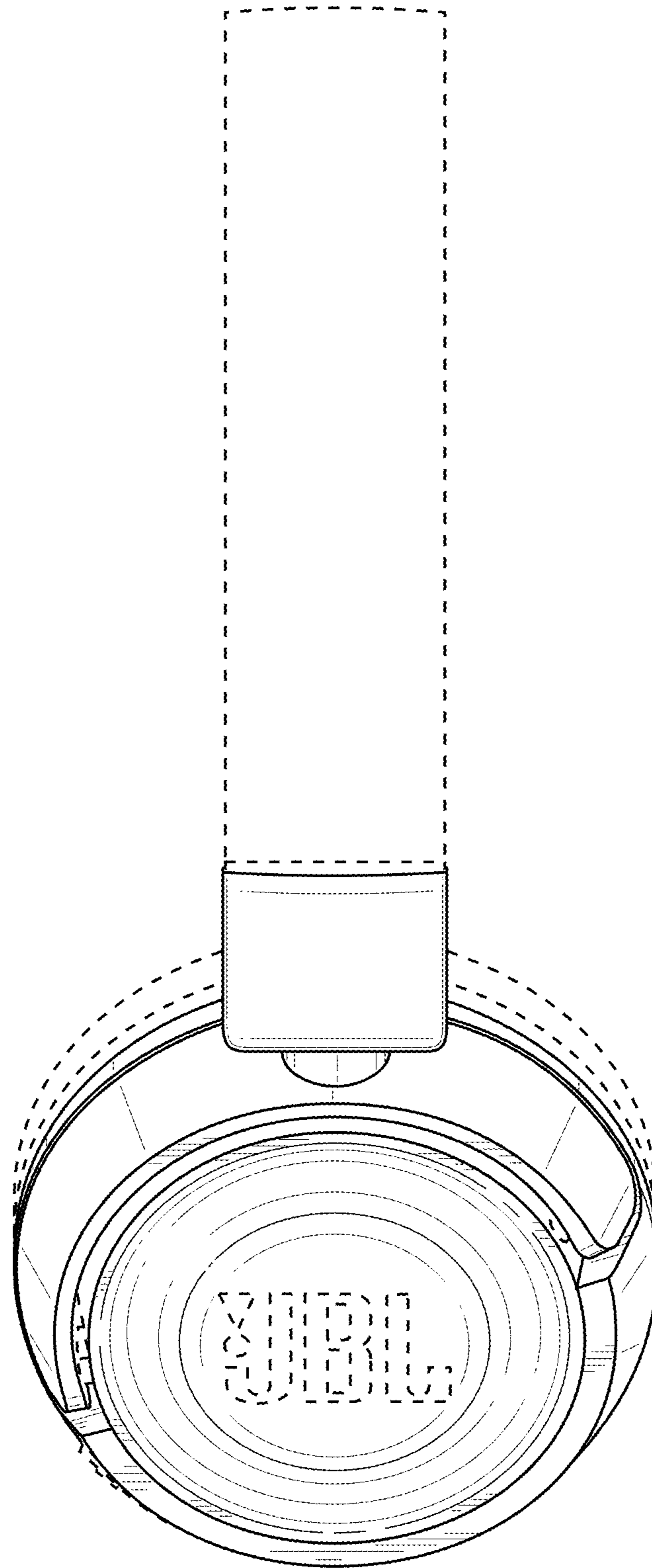


FIG. 5

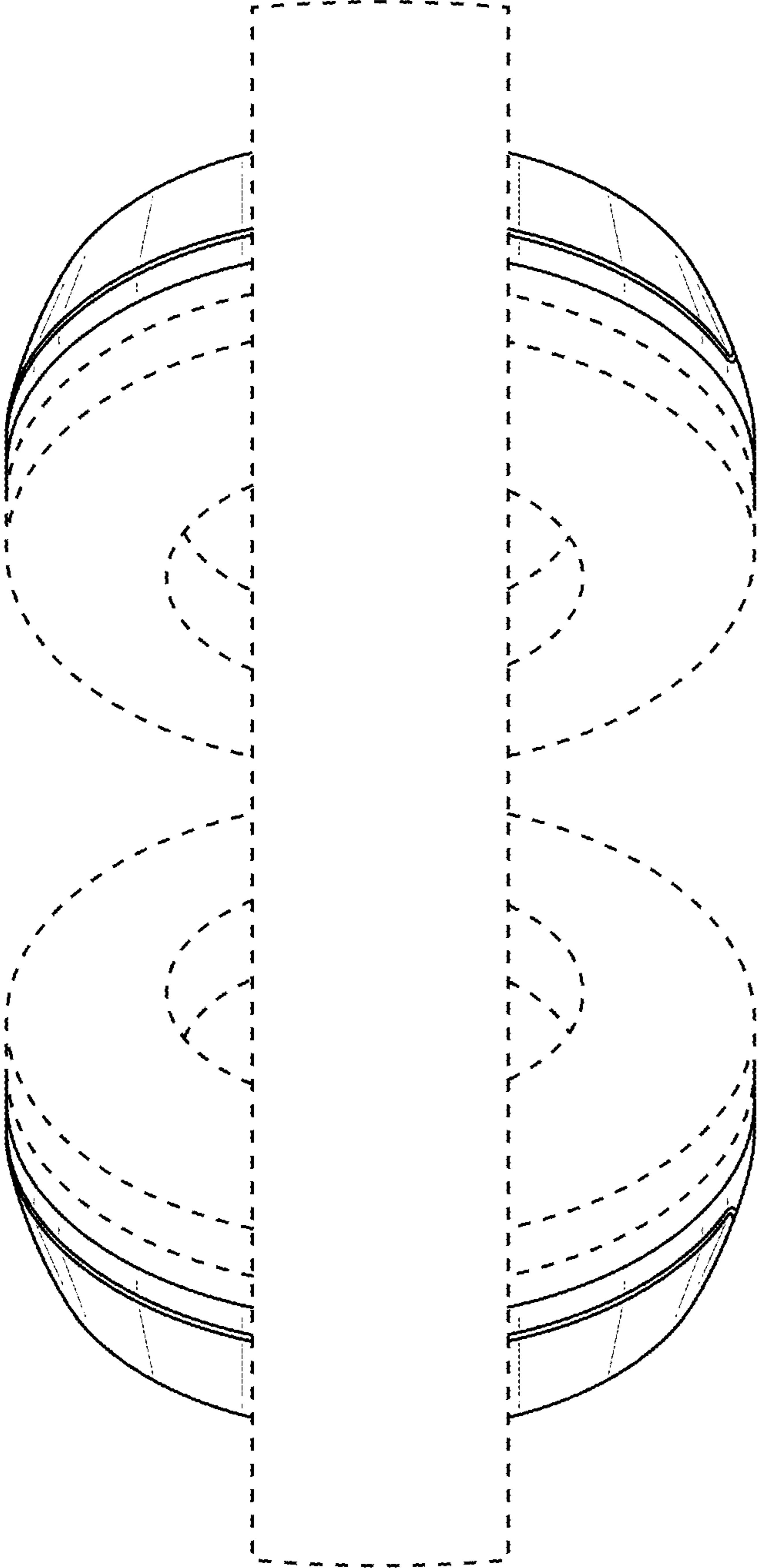


FIG. 6

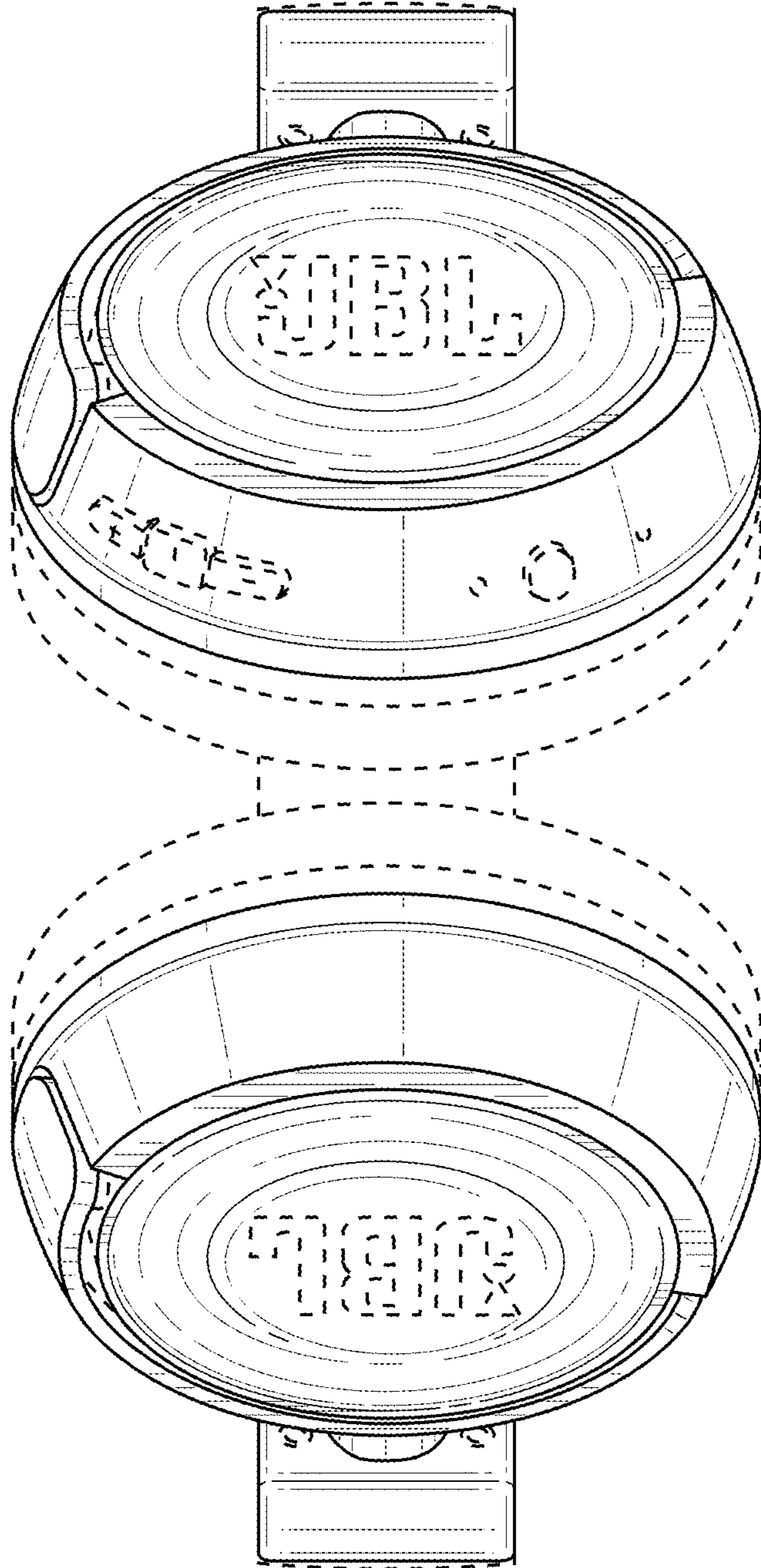


FIG. 7

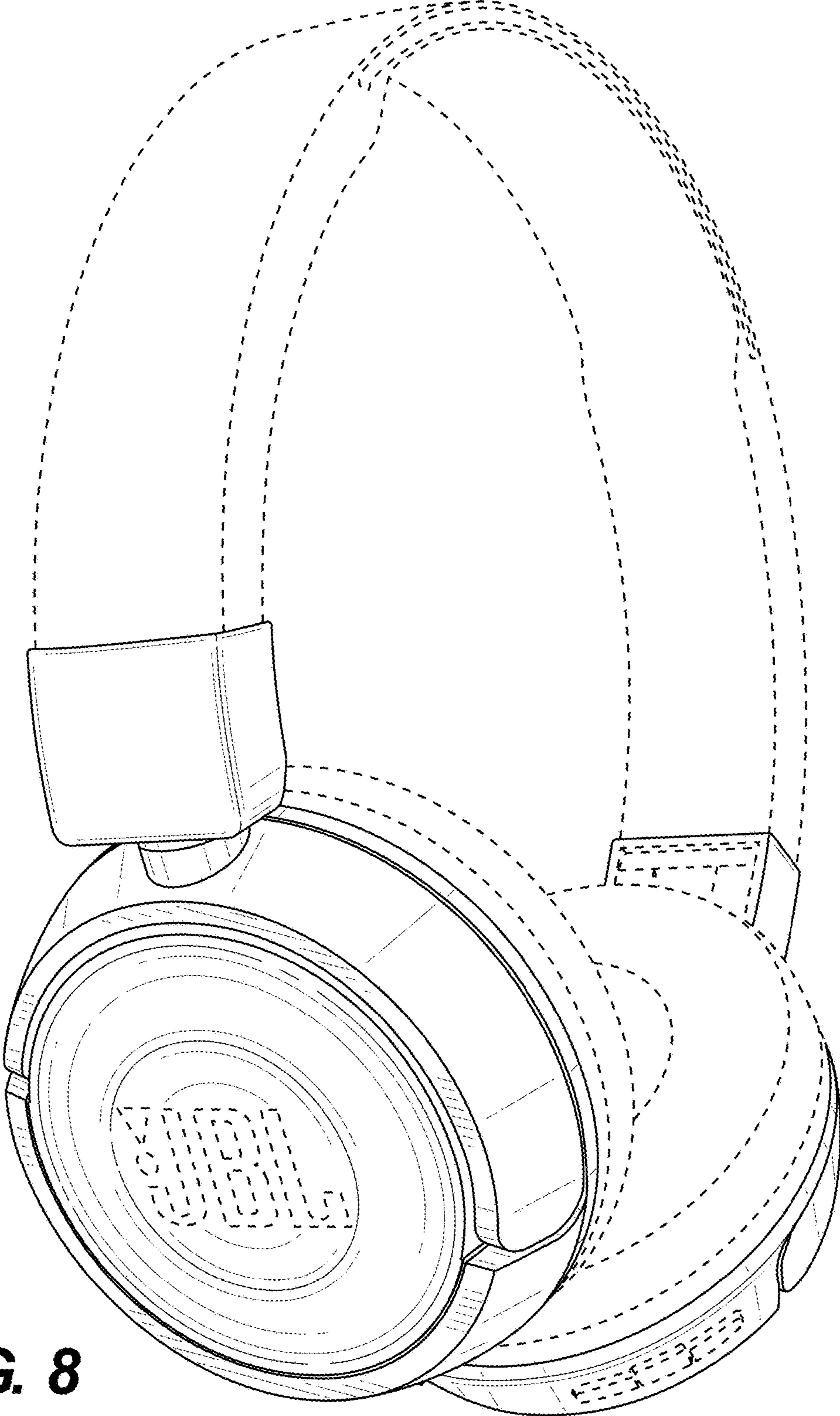


FIG. 8

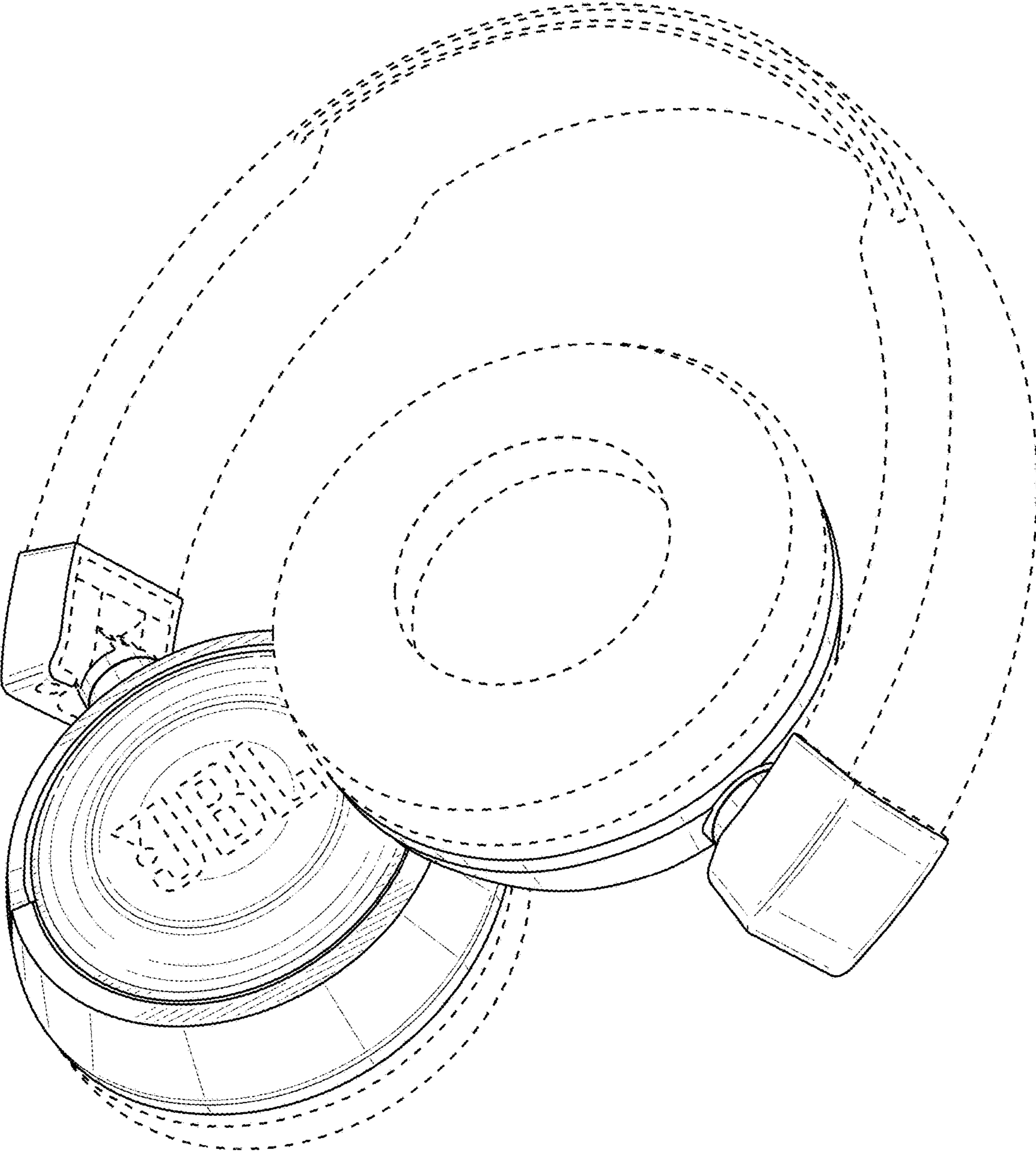


FIG. 9