



US00D826206S

(12) **United States Design Patent**  
**Elmieh et al.**

(10) **Patent No.:** **US D826,206 S**  
(45) **Date of Patent:** **\*\* Aug. 21, 2018**

(54) **SPEAKER DEVICE**  
(71) Applicant: **Facebook, Inc.**, Menlo Park, CA (US)  
(72) Inventors: **Baback Elmieh**, Palo Alto, CA (US);  
**Alexandre Jais**, Menlo Park, CA (US);  
**John Proksch-Whaley**, Sunnyvale, CA (US)  
(73) Assignee: **Facebook, Inc.**, Menlo Park, CA (US)  
(\*\*) Term: **15 Years**

D680,097 S \* 4/2013 Davies ..... D14/204  
D725,075 S \* 3/2015 Wong ..... D14/215  
D729,761 S \* 5/2015 Hu ..... D14/194  
D745,589 S \* 12/2015 Lee ..... D16/218  
D747,697 S \* 1/2016 Wildner ..... D14/209.1  
D750,687 S \* 3/2016 Samuels ..... G03B 17/02  
D16/218  
D754,109 S \* 4/2016 Kelly ..... D14/240  
D761,230 S \* 7/2016 Si ..... D14/214  
D762,759 S \* 8/2016 Wu ..... D16/218  
D777,704 S \* 1/2017 Helwig ..... D14/215  
D781,813 S \* 3/2017 Pignotti ..... D14/204

\* cited by examiner

(21) Appl. No.: **29/589,308**  
(22) Filed: **Dec. 29, 2016**  
(51) **LOC (11) Cl.** ..... **14-01**  
(52) **U.S. Cl.**  
USPC ..... **D14/204**  
(58) **Field of Classification Search**  
USPC ..... D16/200, 202–206, 208, 218, 219;  
D14/167, 168, 170–172, 188, 194, 204,  
D14/210–216, 219, 221, 222, 224;  
181/144, 148, 153, 157, 198; 369/6–12;  
381/301–303, 306, 332, 334, 336, 345,  
381/361–363  
CPC ..... G03B 17/02; G03B 19/04; G03B 17/56;  
G03B 17/04; G03B 15/03; H04N 5/2251;  
H04N 5/2252; H04N 5/2253; H04N  
5/2254; H04N 7/181; H04N 7/183; H04N  
7/18; G08B 13/1963; G08B 13/19619;  
G08B 13/19632  
See application file for complete search history.

*Primary Examiner* — Philip S Hyder  
*Assistant Examiner* — Ramzi S Almatrahi  
(74) *Attorney, Agent, or Firm* — Fenwick & West LLP

(57) **CLAIM**

The ornamental design for a speaker device, as shown and described.

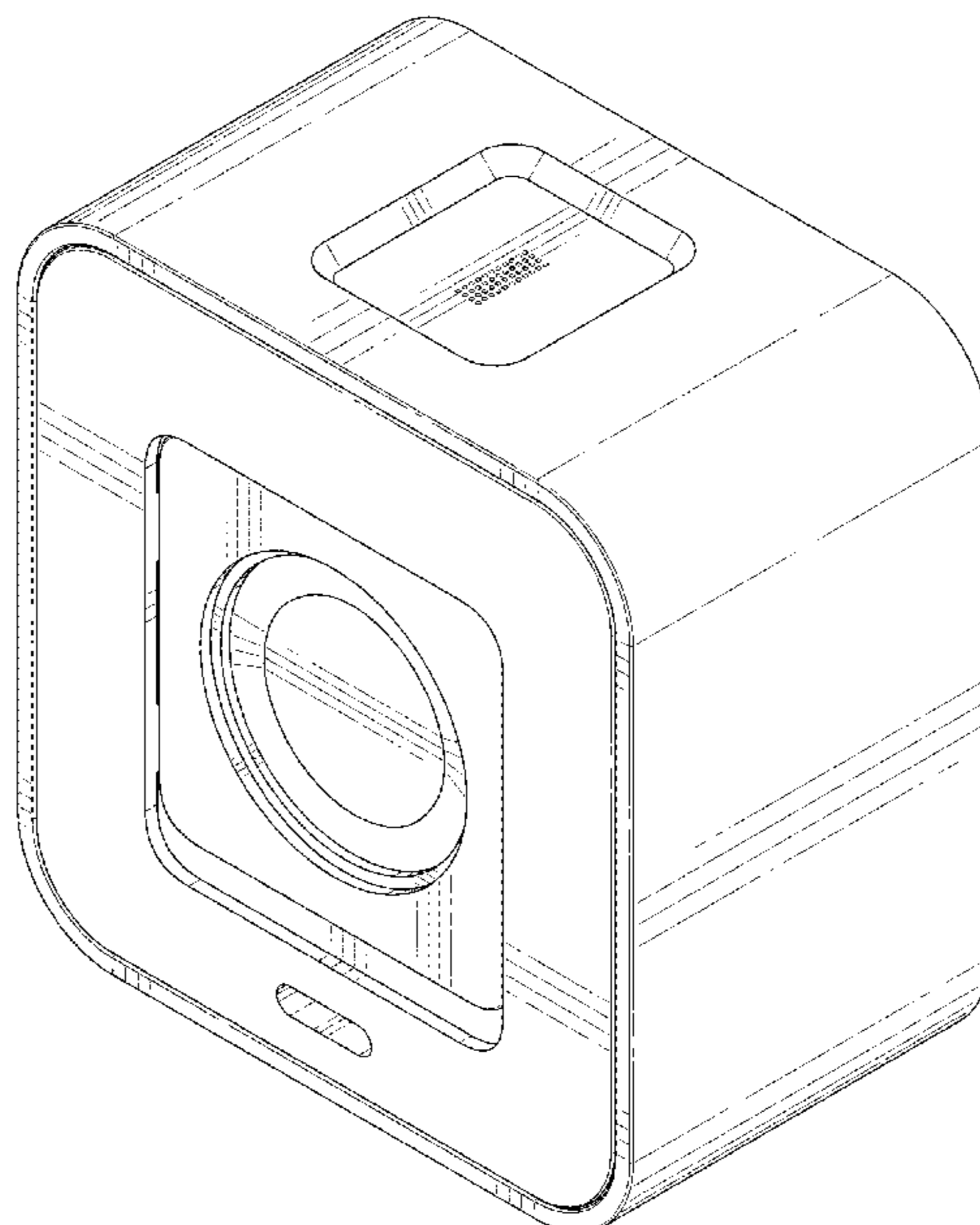
**DESCRIPTION**

FIG. 1 is a perspective view of a speaker device, showing our new design;  
FIG. 2 is a front view thereof;  
FIG. 3 is a rear view thereof;  
FIG. 4 is a left side view thereof;  
FIG. 5 is a right side view thereof;  
FIG. 6 is a top view thereof; and,  
FIG. 7 is a bottom view thereof.  
The broken lines depict portions of a speaker device in which the design is embodied and form no part of the claimed design.

(56) **References Cited**  
U.S. PATENT DOCUMENTS

D544,463 S \* 6/2007 Harris ..... D14/168  
D664,122 S \* 7/2012 Cho ..... D14/215

**1 Claim, 7 Drawing Sheets**



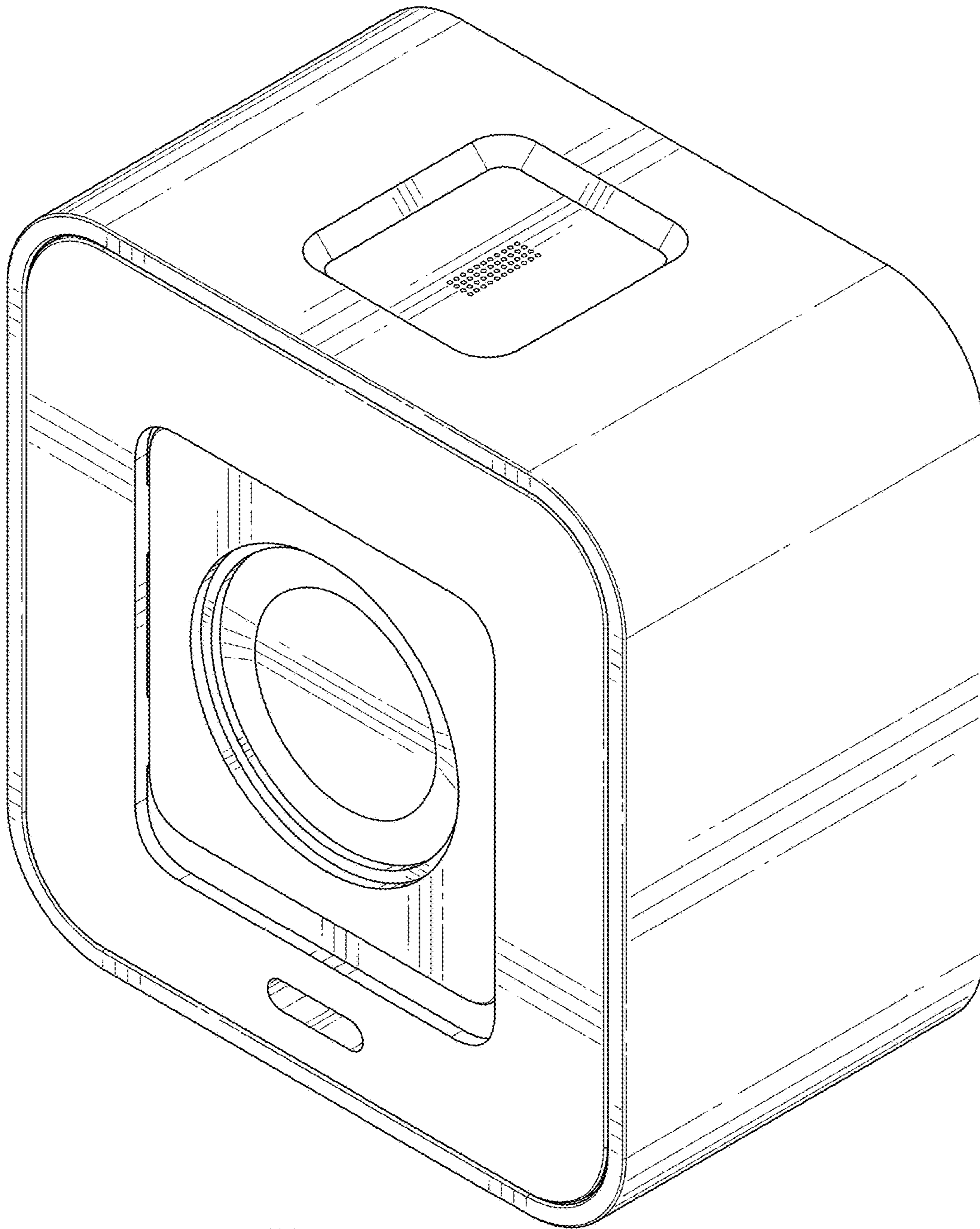


FIG. 1

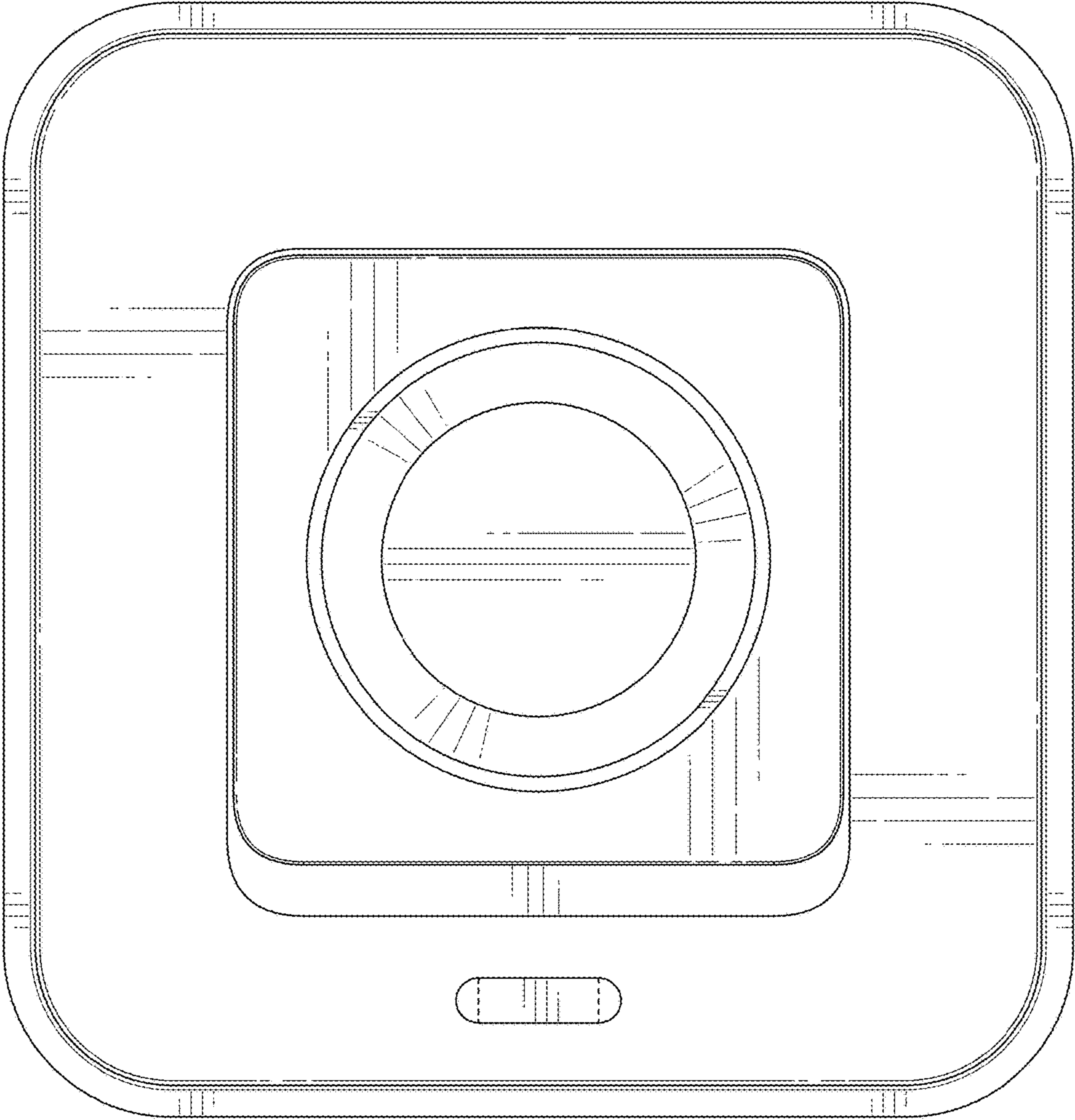


FIG. 2

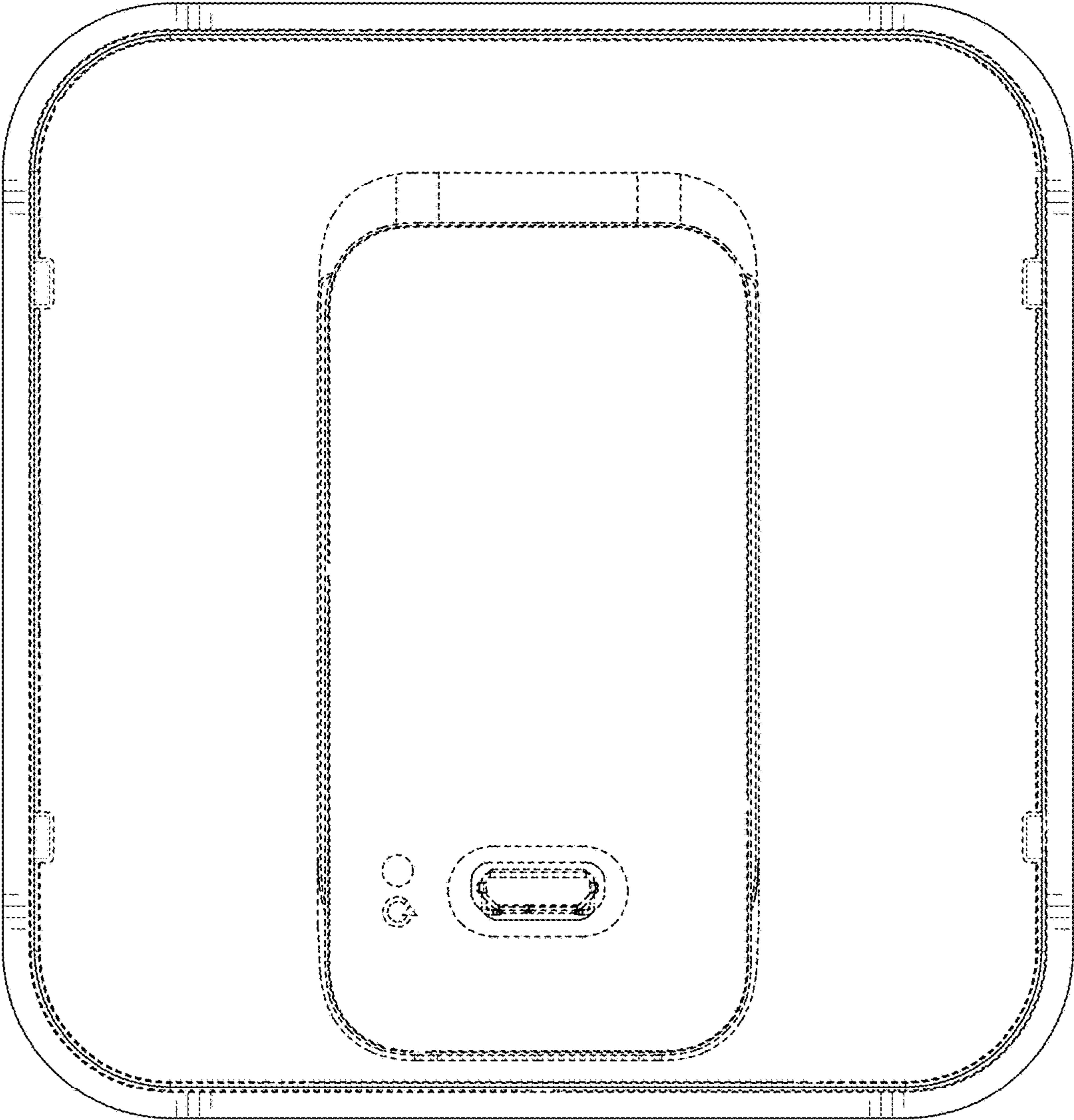


FIG. 3

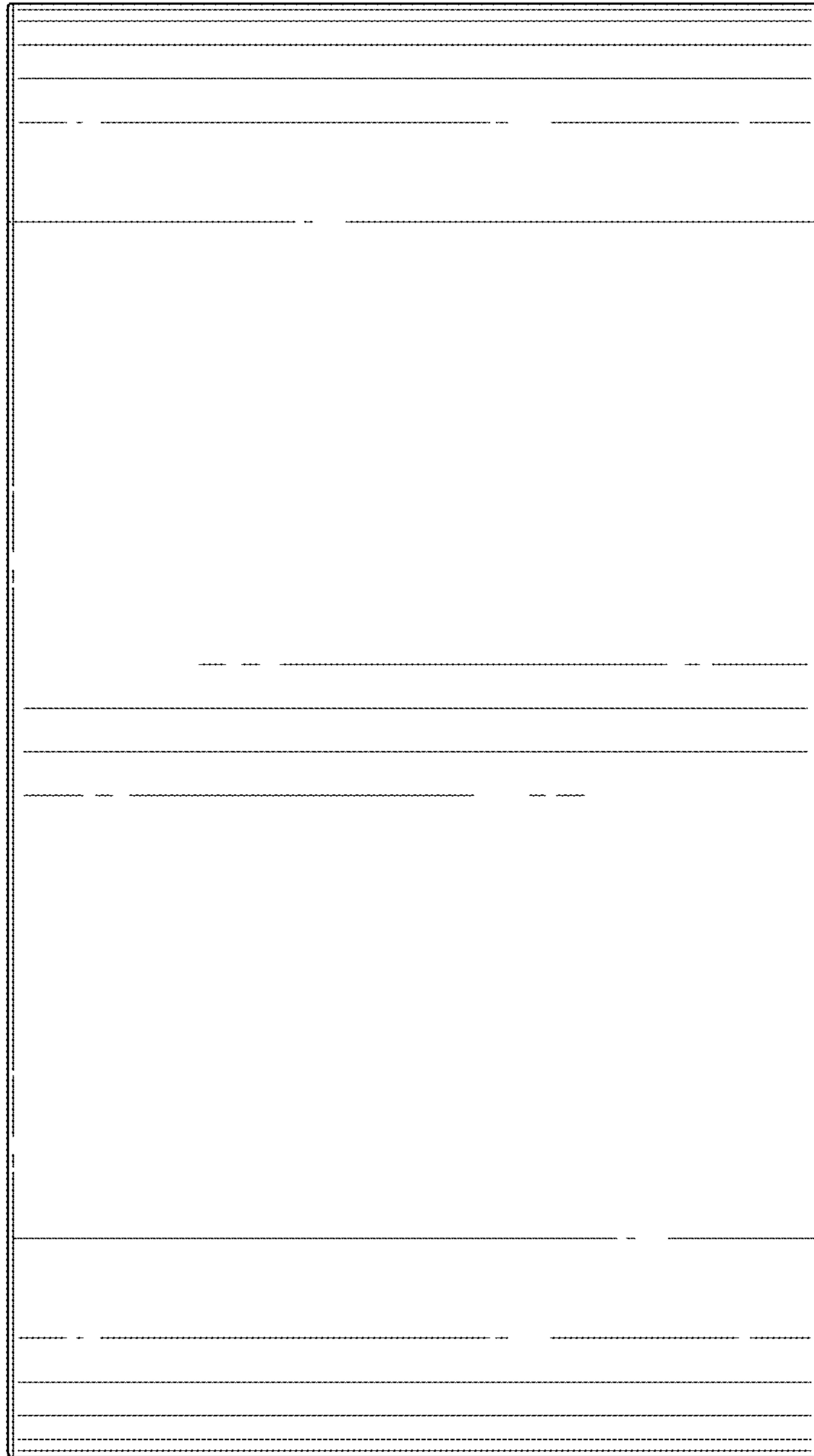


FIG. 4

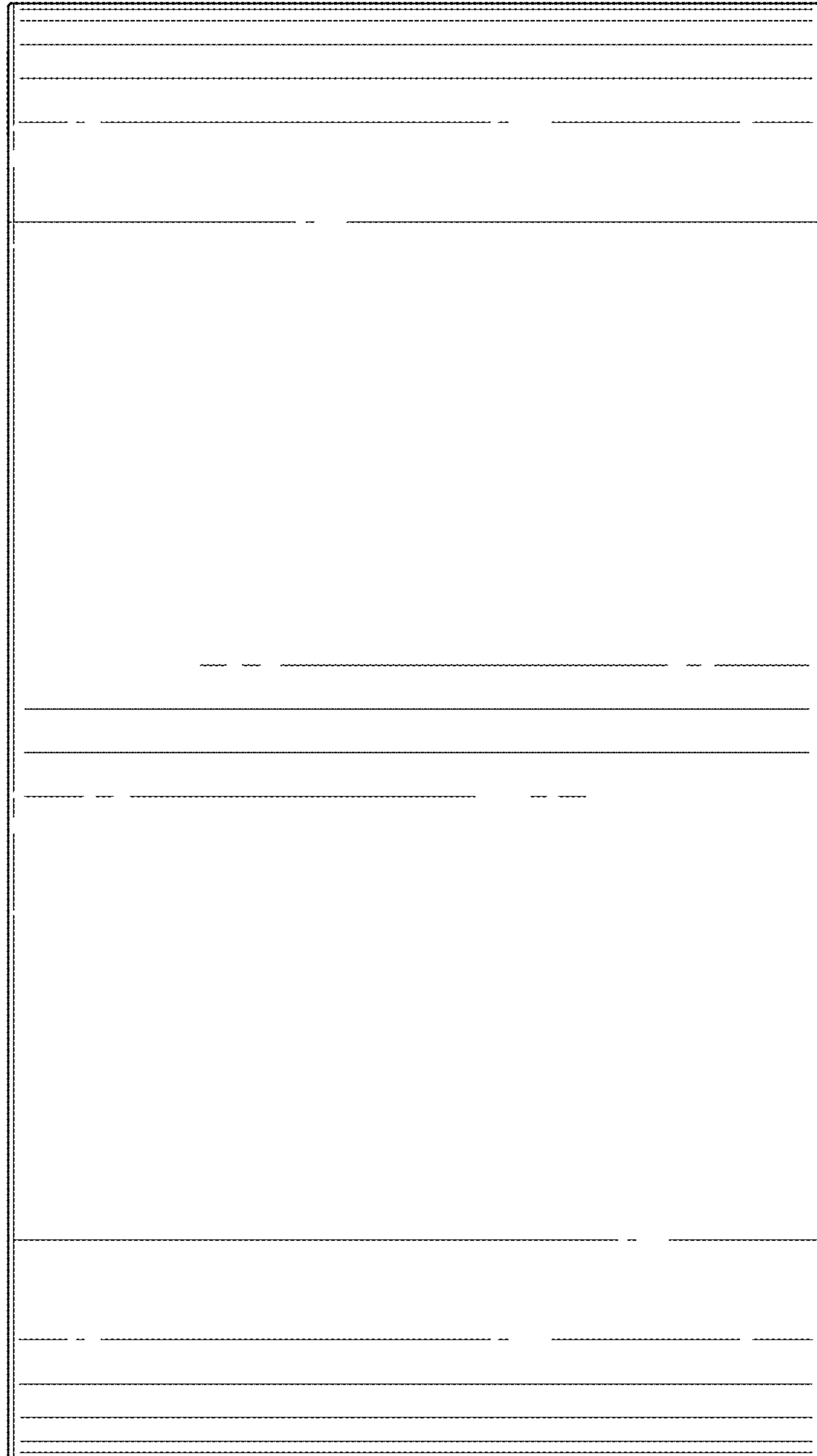


FIG. 5

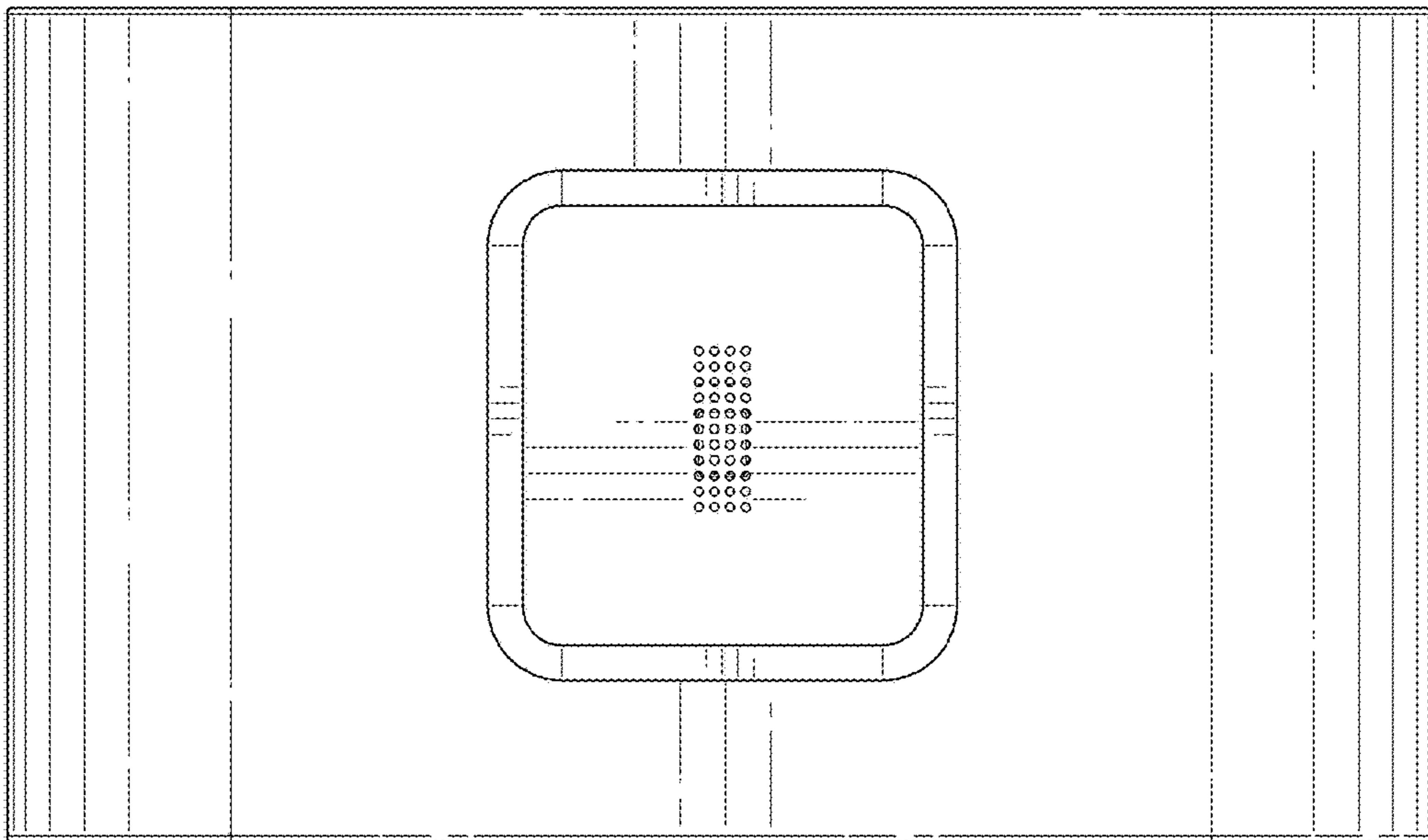


FIG. 6

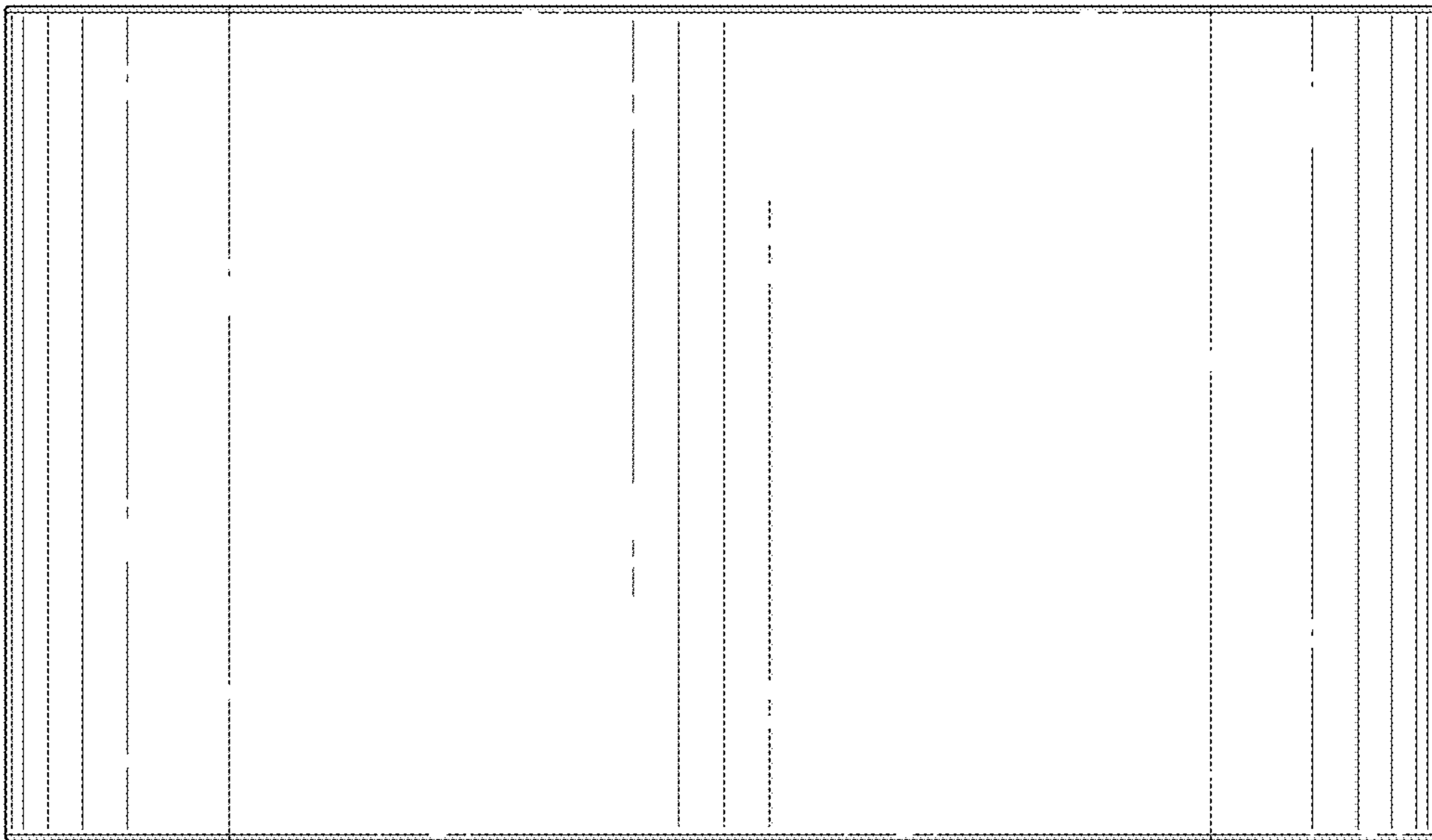


FIG. 7