



US00D826205S

(12) **United States Design Patent** (10) **Patent No.:** **US D826,205 S**
Langhammer et al. (45) **Date of Patent:** **** Aug. 21, 2018**

- (54) **ELECTRONIC DEVICE**
- (71) Applicant: **Amazon Technologies, Inc.**, Seattle, WA (US)
- (72) Inventors: **Heinz-Dominik Langhammer**, San Francisco, CA (US); **Giles David Matthew McWilliam**, San Francisco, CA (US); **Marc Rene Walliser**, San Francisco, CA (US)
- (73) Assignee: **Amazon Technologies, Inc.**, Seattle, WA (US)
- (**) Term: **15 Years**
- (21) Appl. No.: **29/607,385**
- (22) Filed: **Jun. 13, 2017**

D514,122 S * 1/2006 Rodarte D14/203.6
 D521,022 S * 5/2006 Chen D14/203.6
 D527,017 S 8/2006 Kim
 (Continued)

OTHER PUBLICATIONS

The Indian Office Action dated Jan. 9, 2017 for Indian patent application No. 289433, a counterpart foreign application of design U.S. Appl. No. 29/568,676, 3 pages.
 (Continued)

Primary Examiner — Prabhakar G Deshmukh
 (74) *Attorney, Agent, or Firm* — Lee & Hayes, PLLC

(57) **CLAIM**

The ornamental design for an electronic device, as shown and described.

DESCRIPTION

FIG. 1 is a top and front perspective view of an electronic device showing our new design;
 FIG. 2 is a bottom and rear perspective view thereof;
 FIG. 3 is a front elevational view thereof;
 FIG. 4 is a rear elevational view thereof
 FIG. 5 is a right side elevational view thereof;
 FIG. 6 is a left side elevational view thereof
 FIG. 7 is a top plan view thereof;
 FIG. 8 is a bottom plan view thereof;
 FIG. 9 is a top and front perspective view a second embodiment of an electronic device showing our new design;
 FIG. 10 is a bottom and rear perspective view of FIG. 9;
 FIG. 11 is a front elevational view FIG. 9;
 FIG. 12 is a rear elevational view of FIG. 9;
 FIG. 13 is a right side elevational view of FIG. 9;
 FIG. 14 is a left side elevational view of FIG. 9
 FIG. 15 is a top plan view FIG. 9; and,
 FIG. 16 is a bottom plan view of FIG. 9.
 The broken lines represent unclaimed portions and form no part of the claimed design.

Related U.S. Application Data

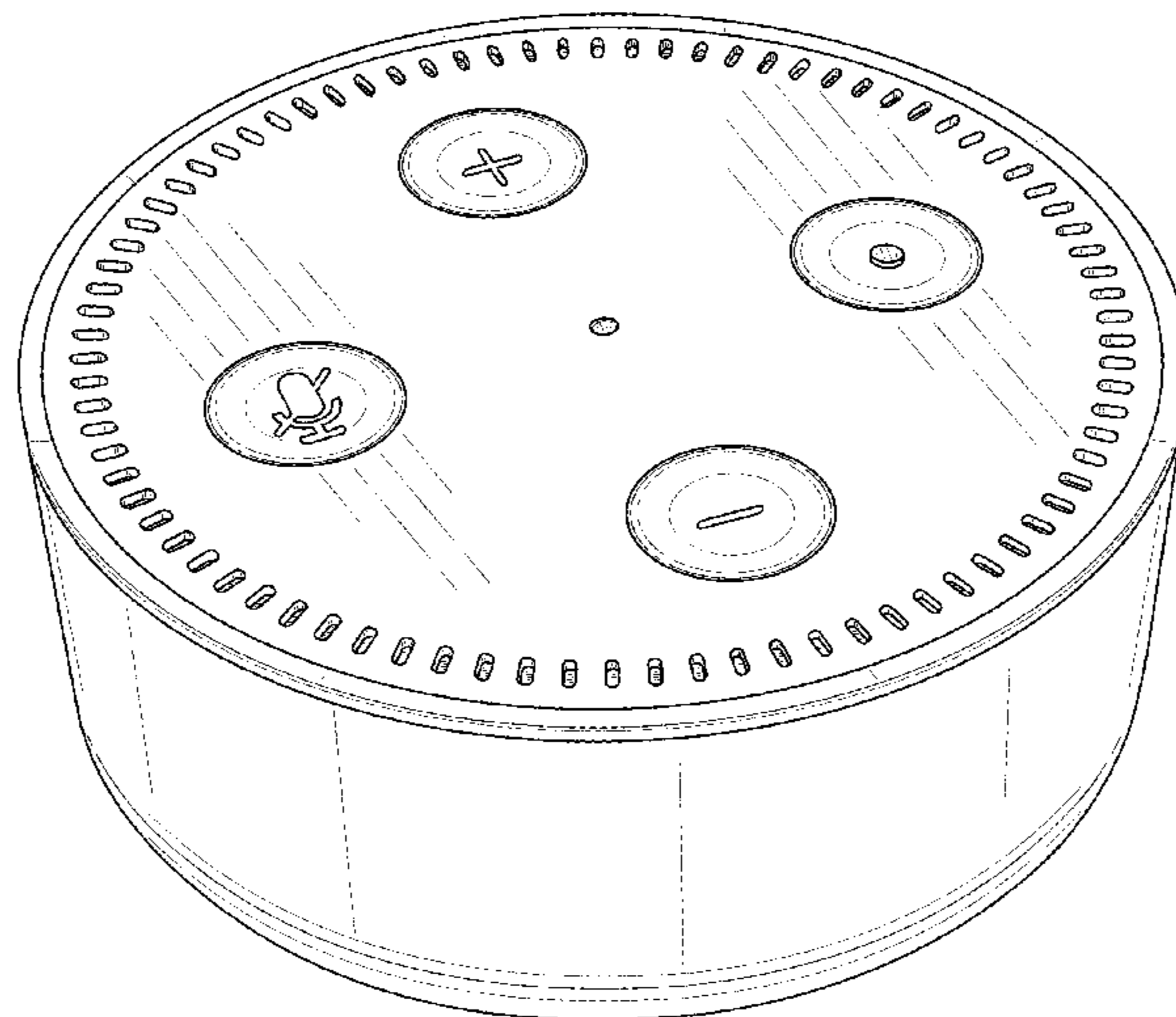
- (62) Division of application No. 29/568,676, filed on Jun. 20, 2016, now Pat. No. Des. 792,468.
- (51) **LOC (11) Cl.** **14-03**
- (52) **U.S. Cl.**
USPC **D14/203.6**; D14/496; D14/511
- (58) **Field of Classification Search**
USPC ... D14/496, 356, 432, 511, 203, 203.6, 217, D14/216, 238.1, 440, 447; D21/324, 328, D21/333; D8/330, 343, 346; 273/148 B; 463/1, 29-36, 46, 47
CPC G06F 1/1628; G06F 1/1613; G06F 1/1626; E05B 9/00; E05B 9/04
See application file for complete search history.

(56) **References Cited**

U.S. PATENT DOCUMENTS

6,287,193 B1 * 9/2001 Rehkemper A63H 1/30
273/142 H
D511,337 S * 11/2005 Kim D14/168

1 Claim, 16 Drawing Sheets



(56)

References Cited

U.S. PATENT DOCUMENTS

7,277,272 B2 10/2007 Hsiung
D554,614 S 11/2007 Lin
D609,718 S 2/2010 Chang et al.
8,090,418 B2 1/2012 Thiel et al.
D753,625 S 4/2016 Young
D769,327 S 10/2016 Morillo Garcia
D771,142 S 11/2016 Langhammer et al.
D775,233 S 12/2016 Beck et al.
D778,956 S 2/2017 Langhammer et al.
D792,468 S * 7/2017 Langhammer D14/203.3
D810,137 S * 2/2018 Tsang D14/496
D813,273 S * 3/2018 Mecchella D14/511

OTHER PUBLICATIONS

The Indian Office Action dated Feb. 7, 2017 for Indian patent application No. 289432, a counterpart foreign application of design U.S. Appl. No. 29/568,676, 2 pages.

* cited by examiner

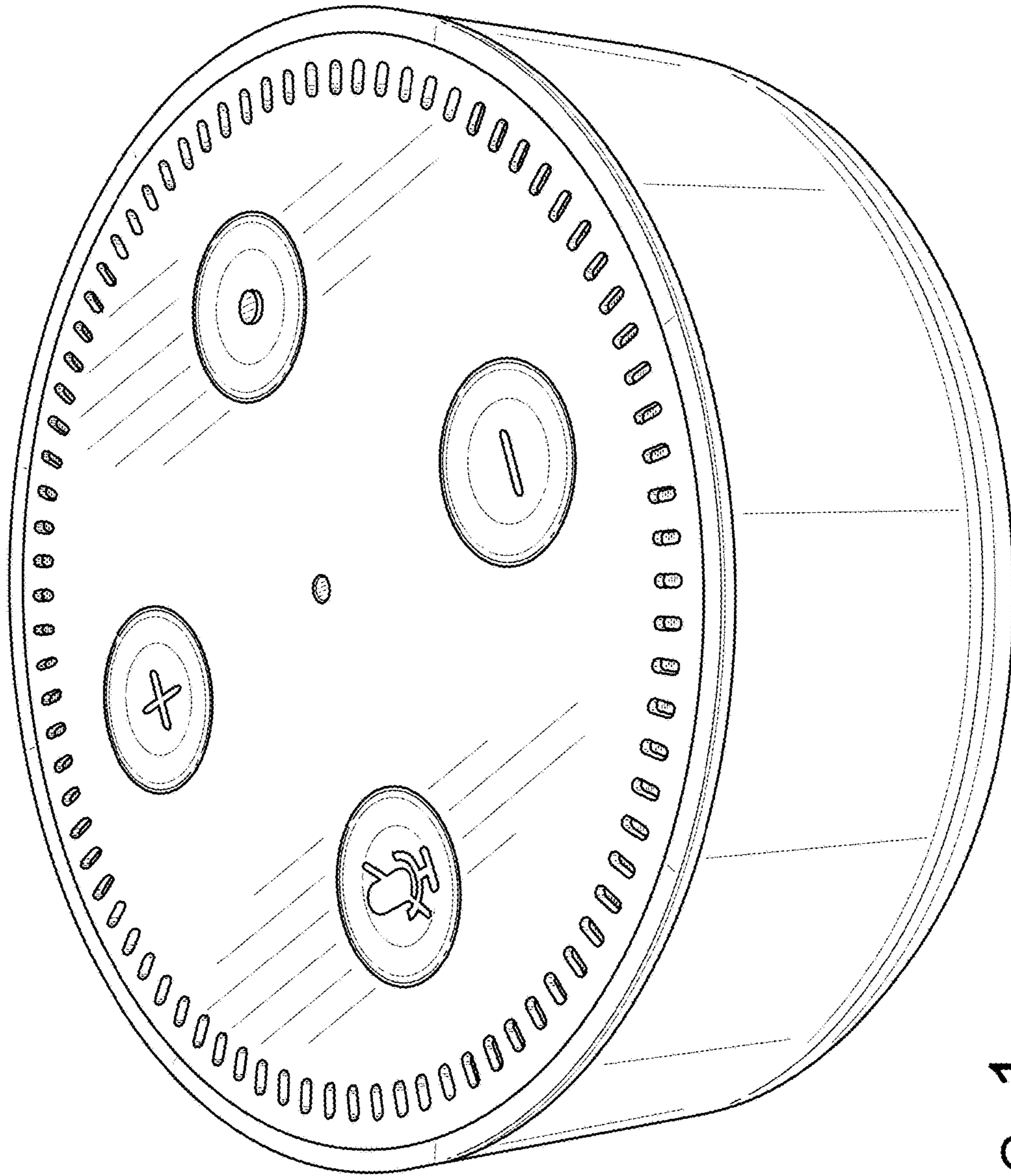


FIG. 1

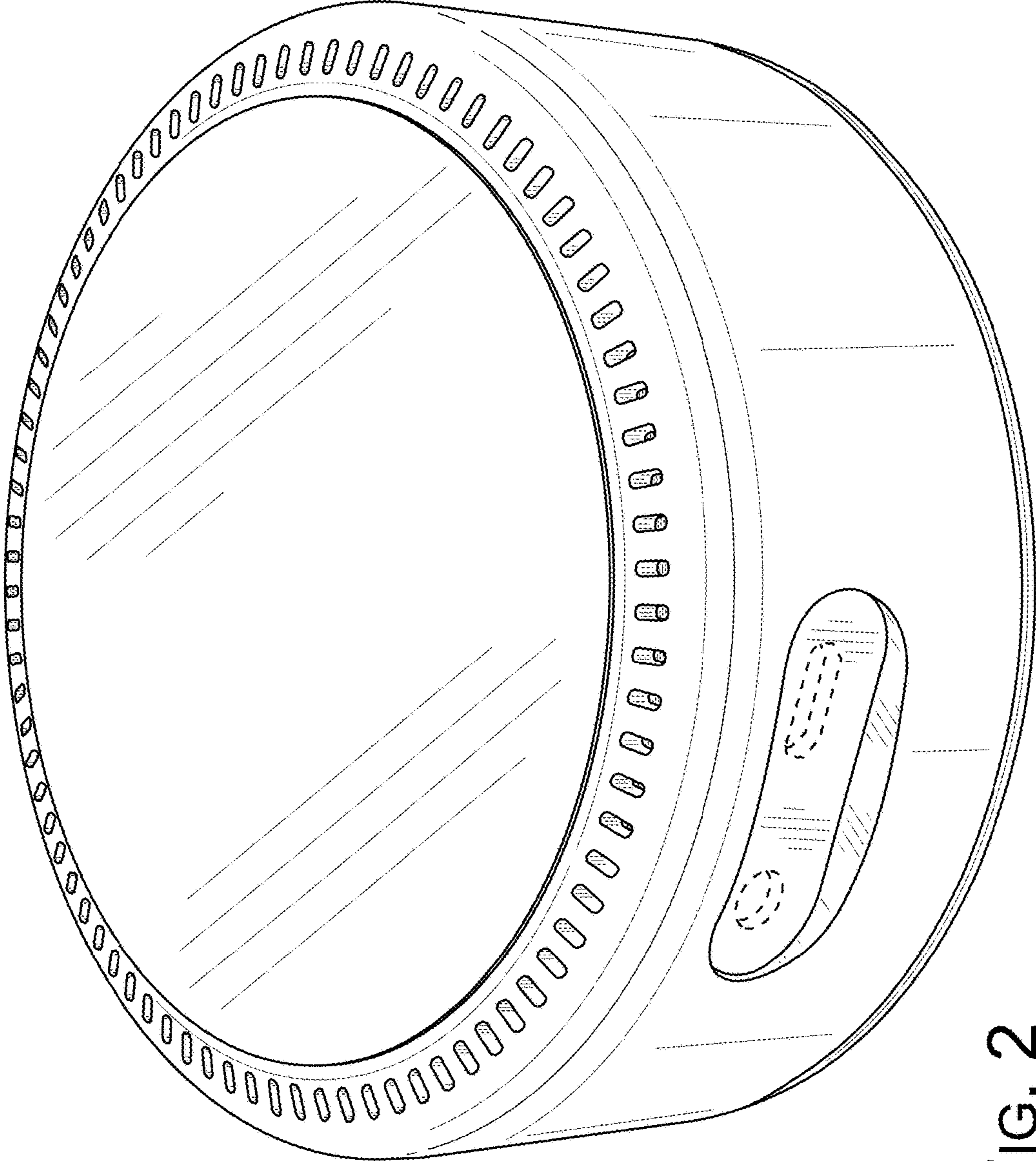


FIG. 2

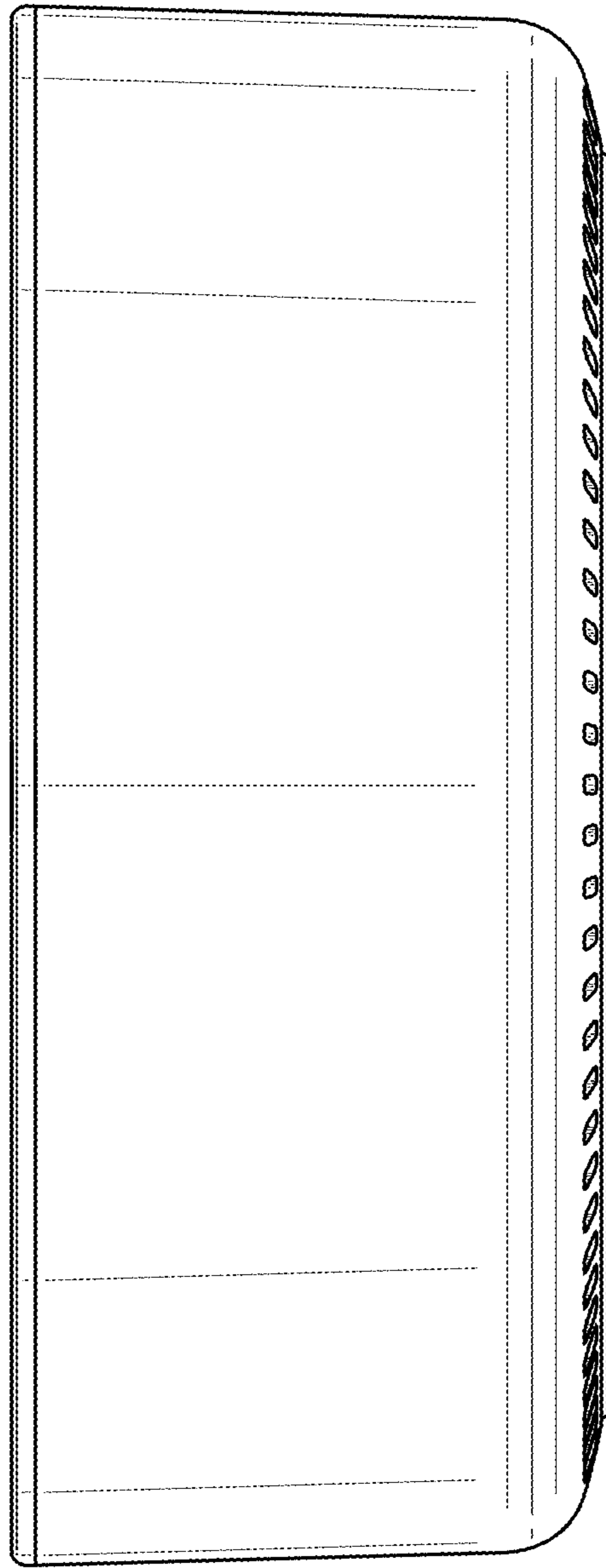


FIG. 3

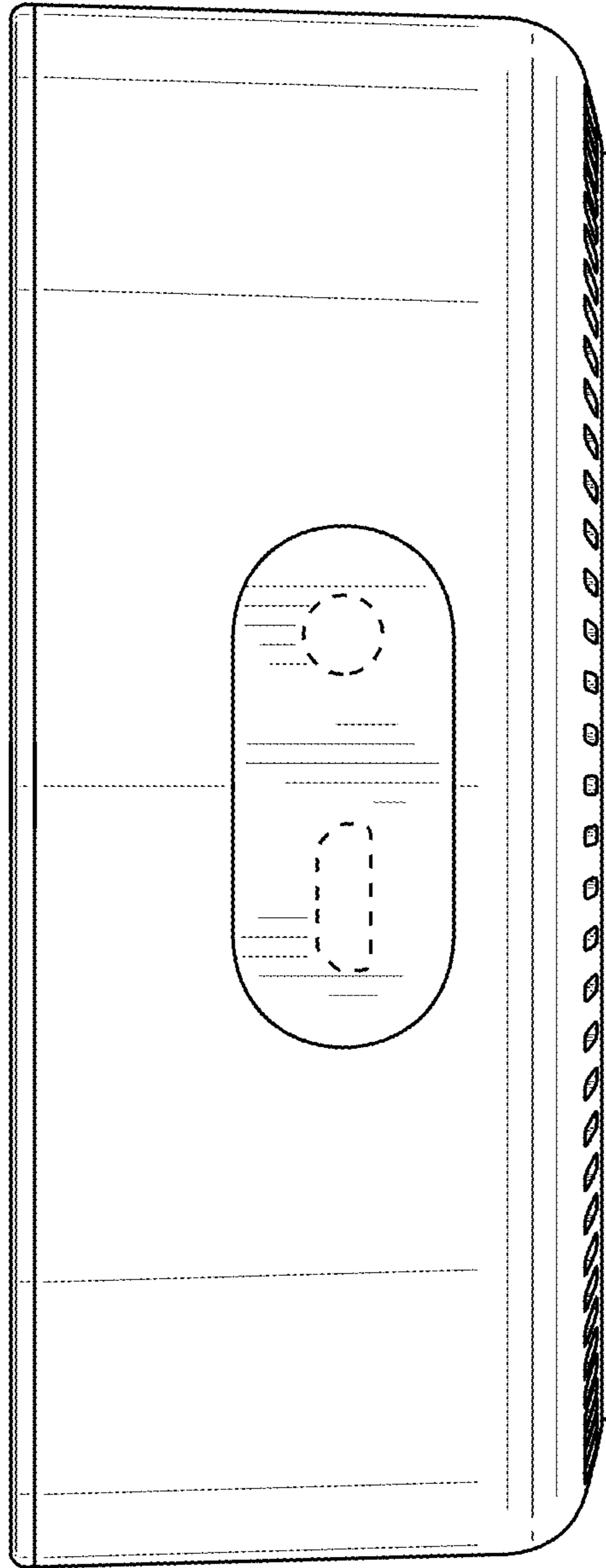


FIG. 4

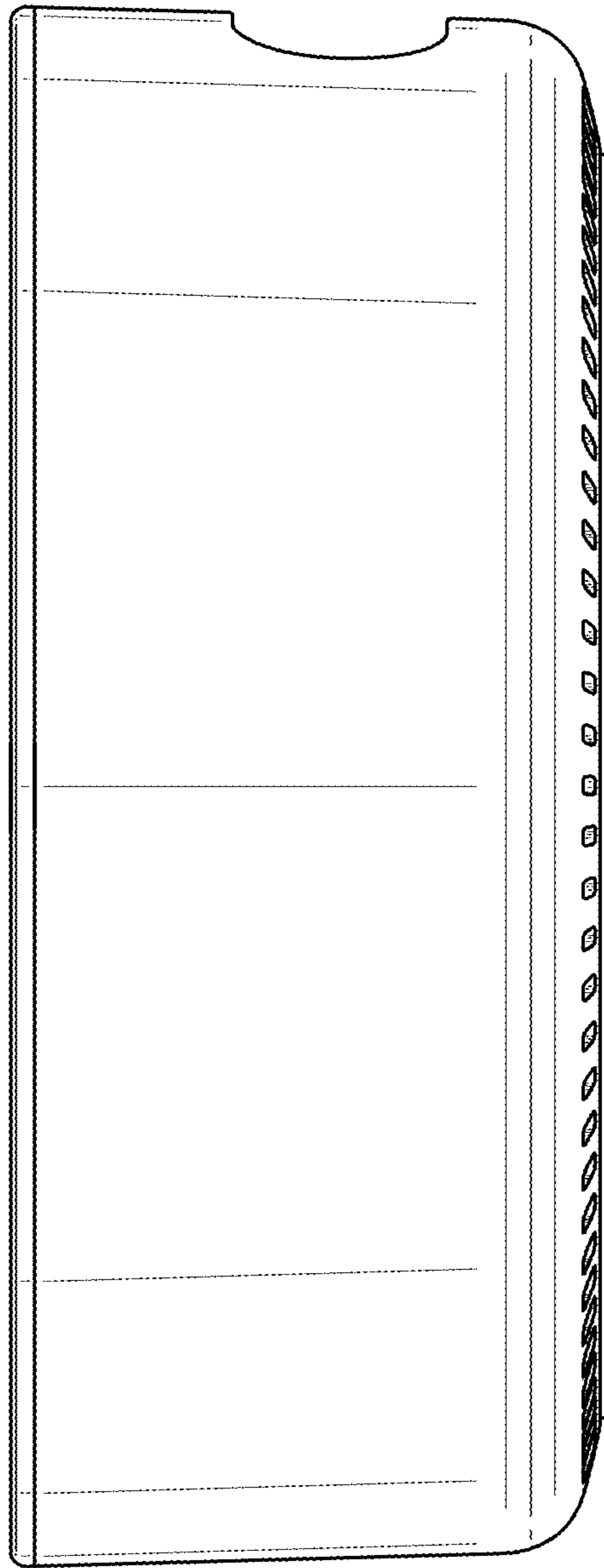


FIG. 5

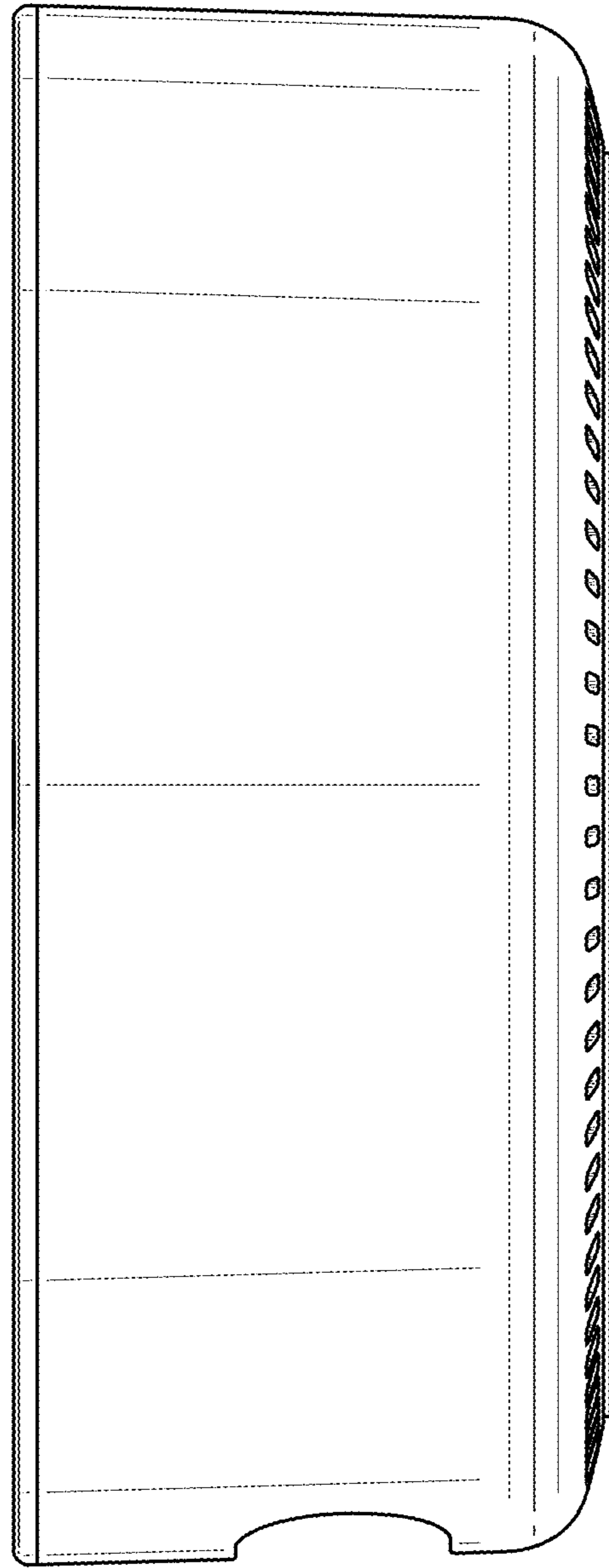


FIG. 6

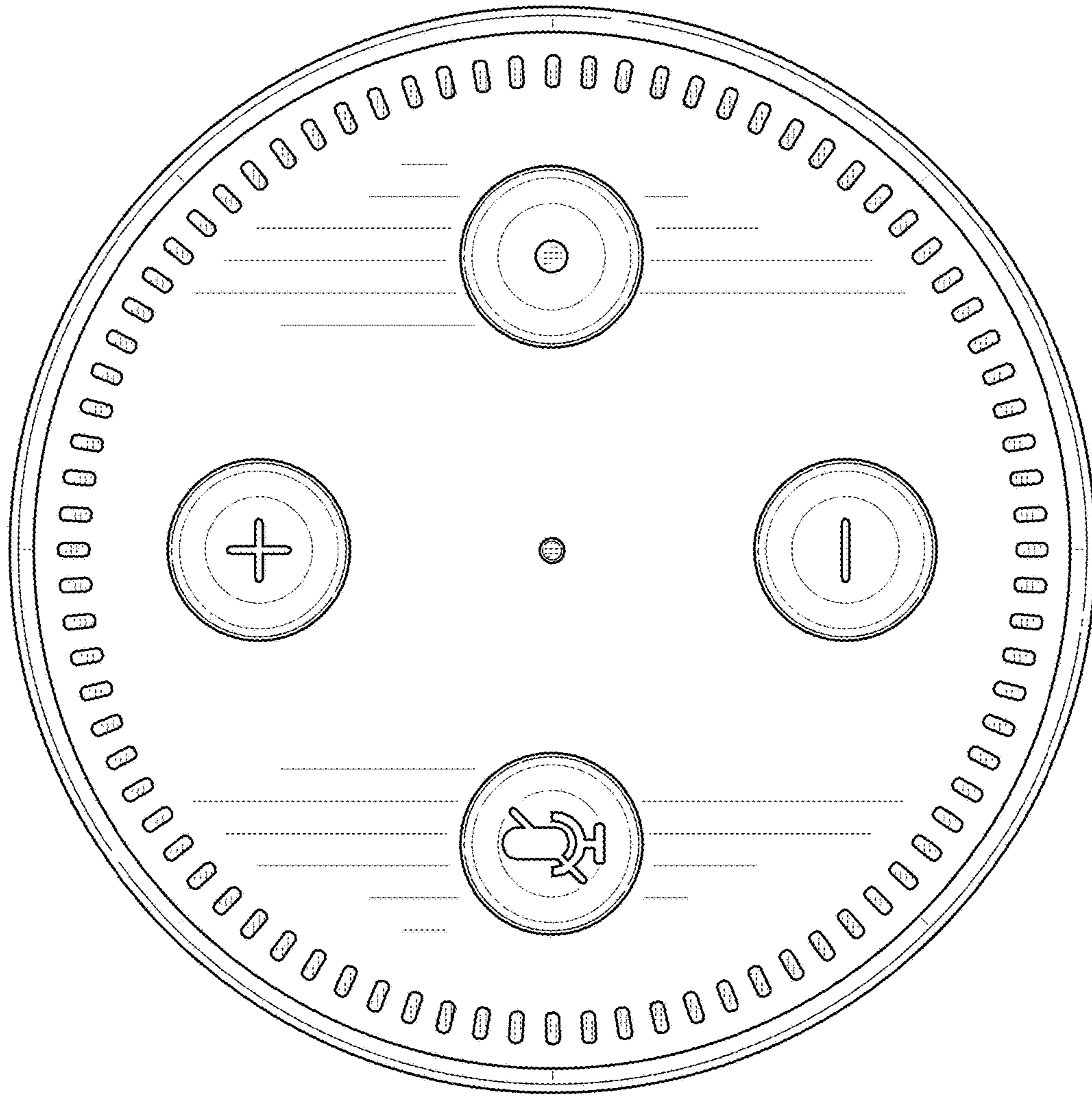


FIG. 7

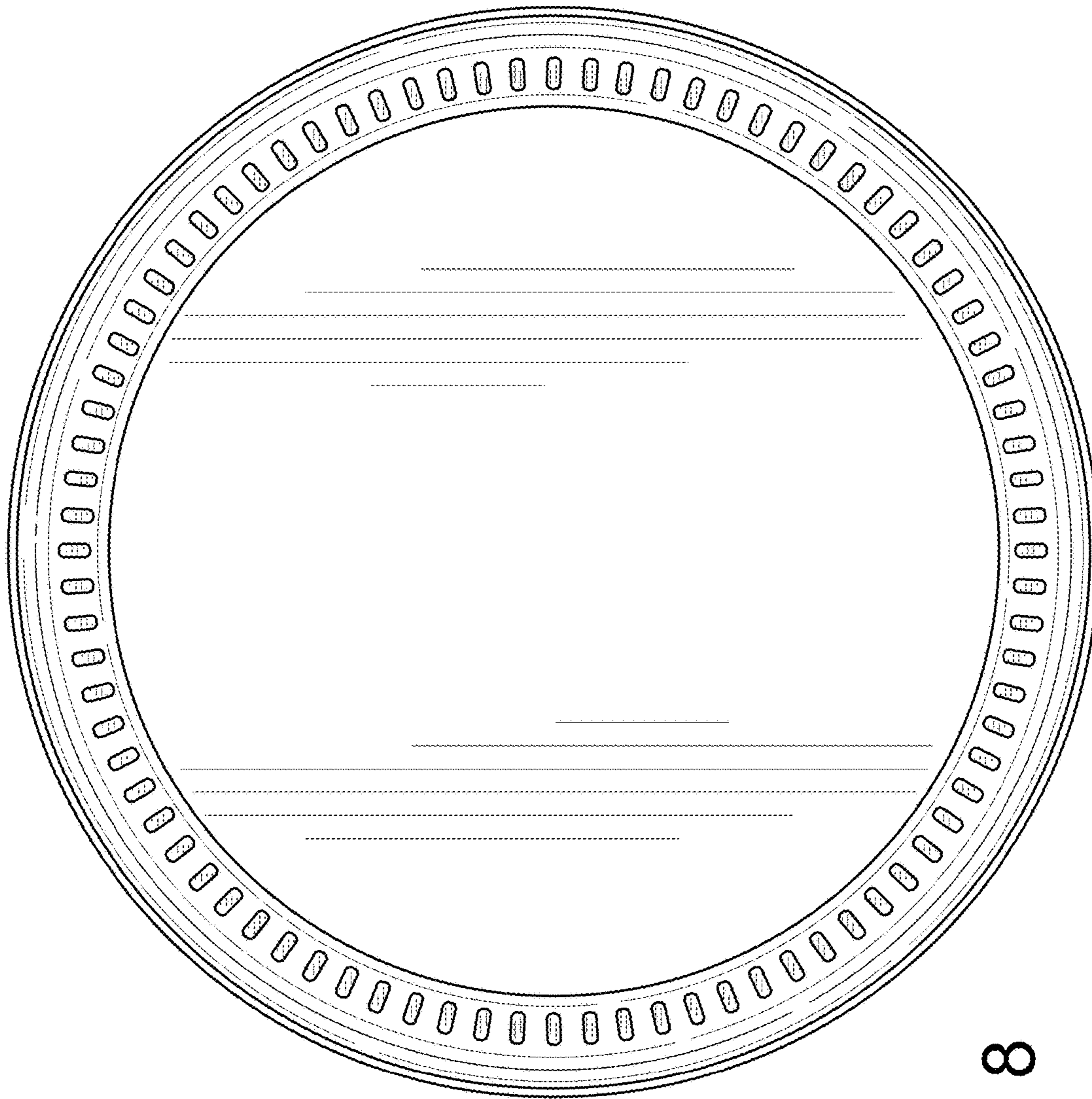


FIG. 8

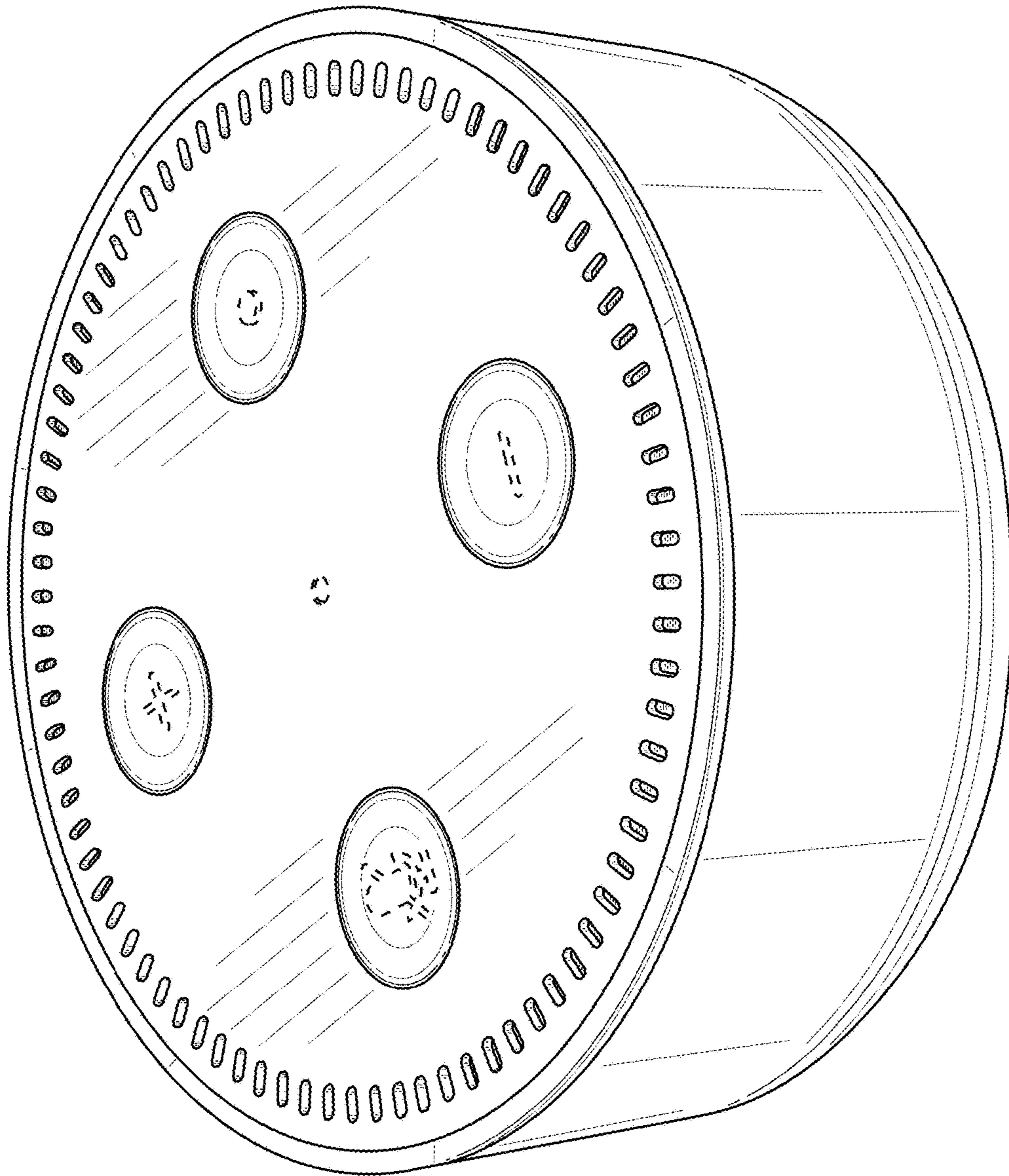


FIG. 9

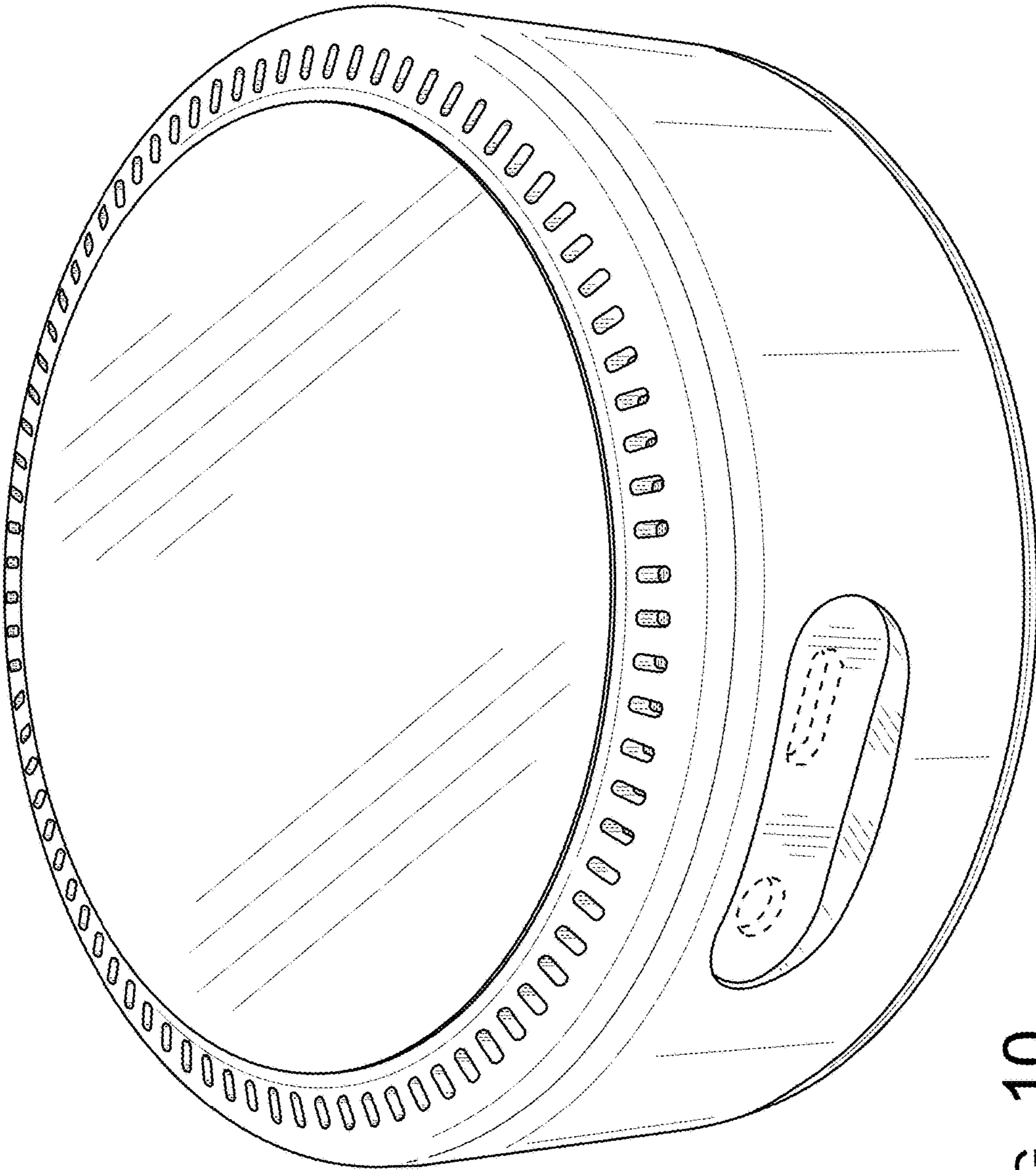


FIG. 10

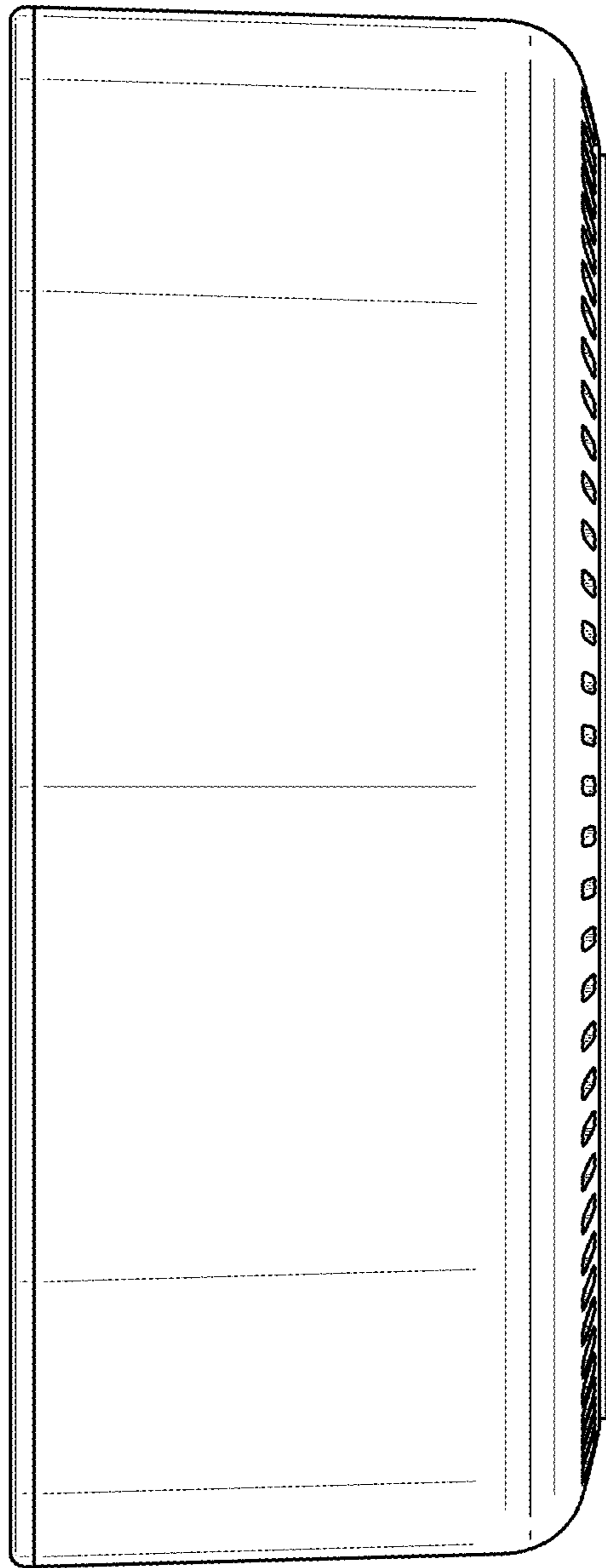


FIG. 11

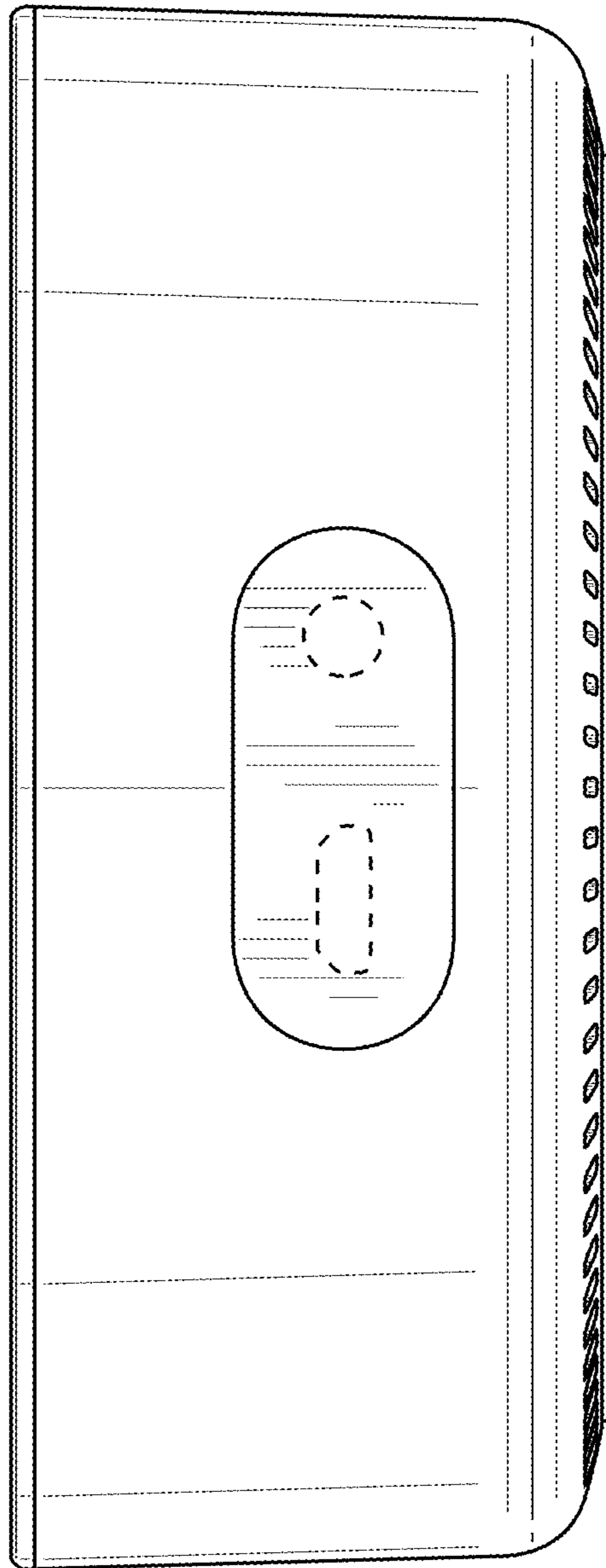


FIG. 12

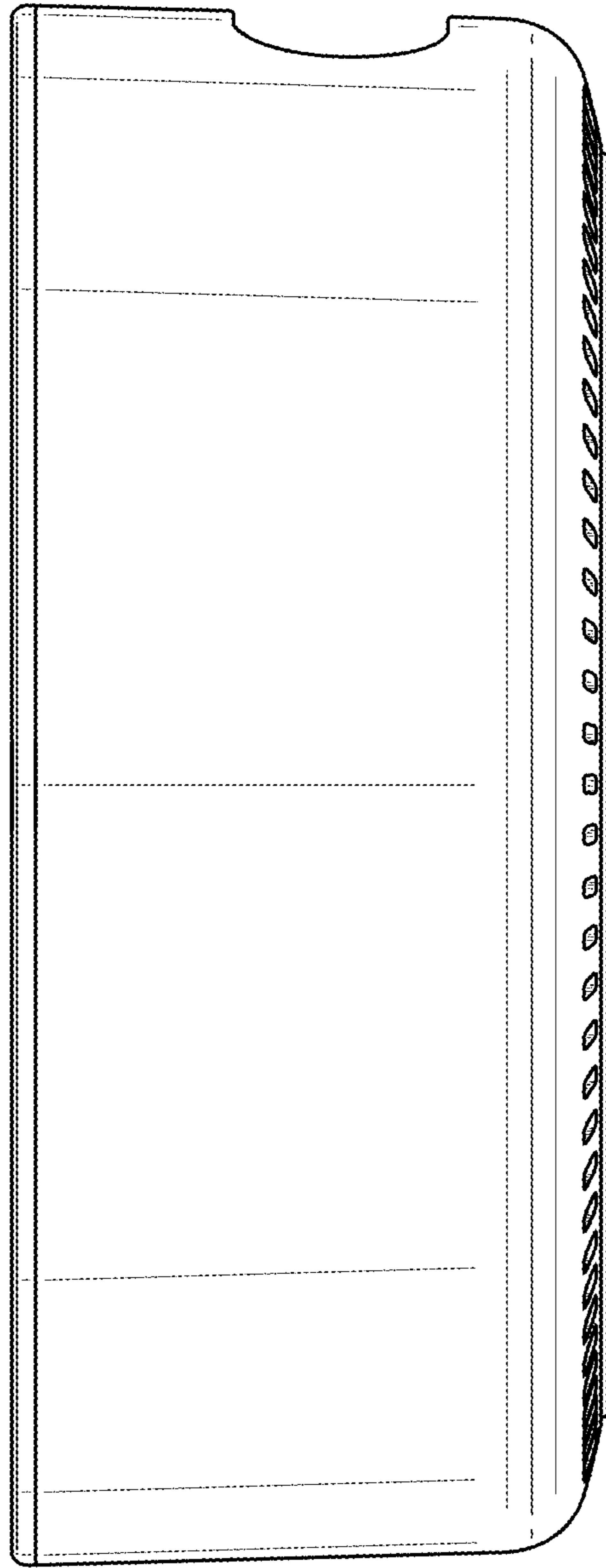


FIG. 13

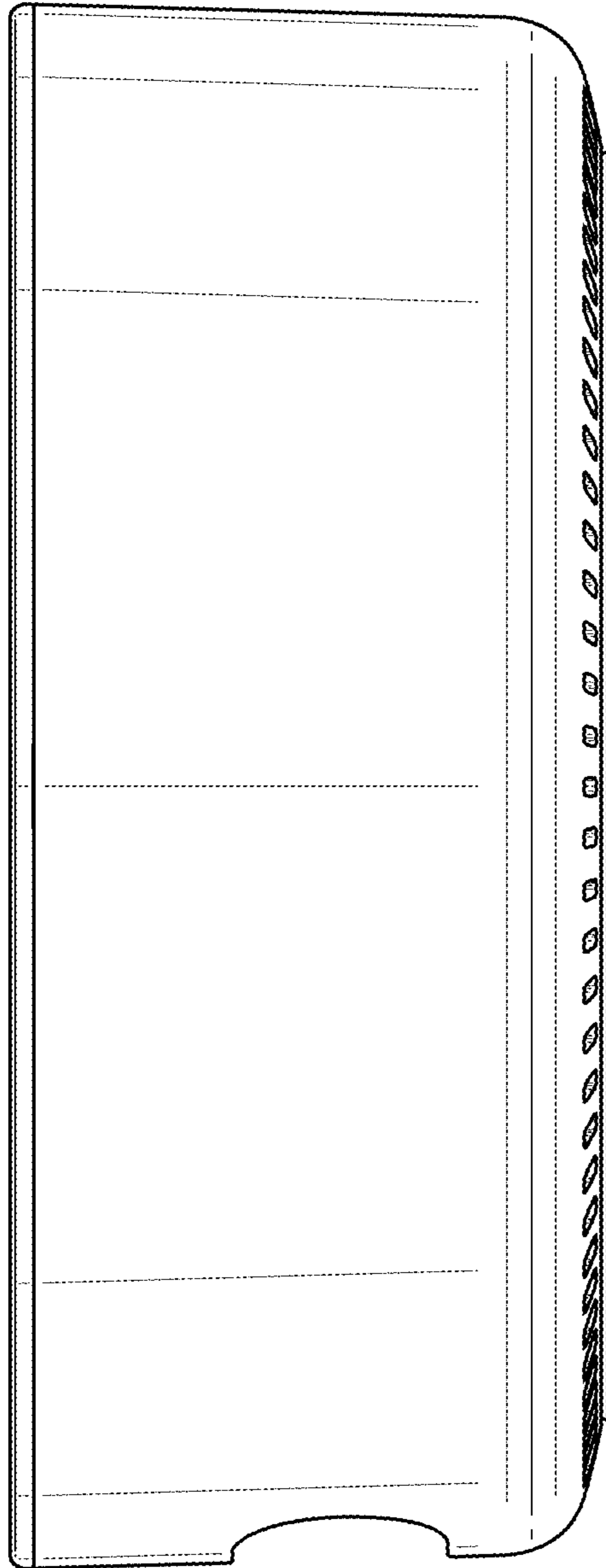


FIG. 14

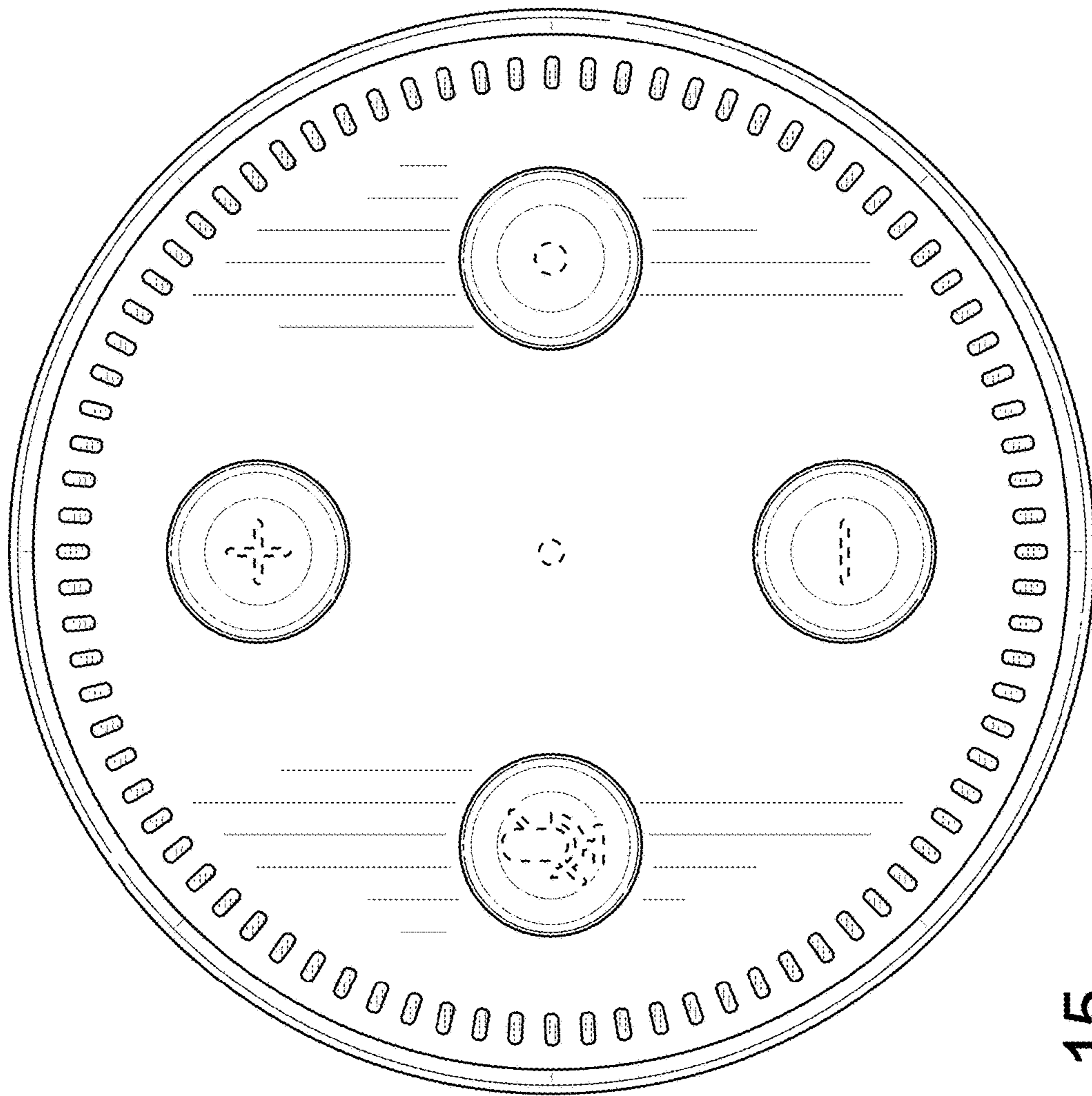


FIG. 15

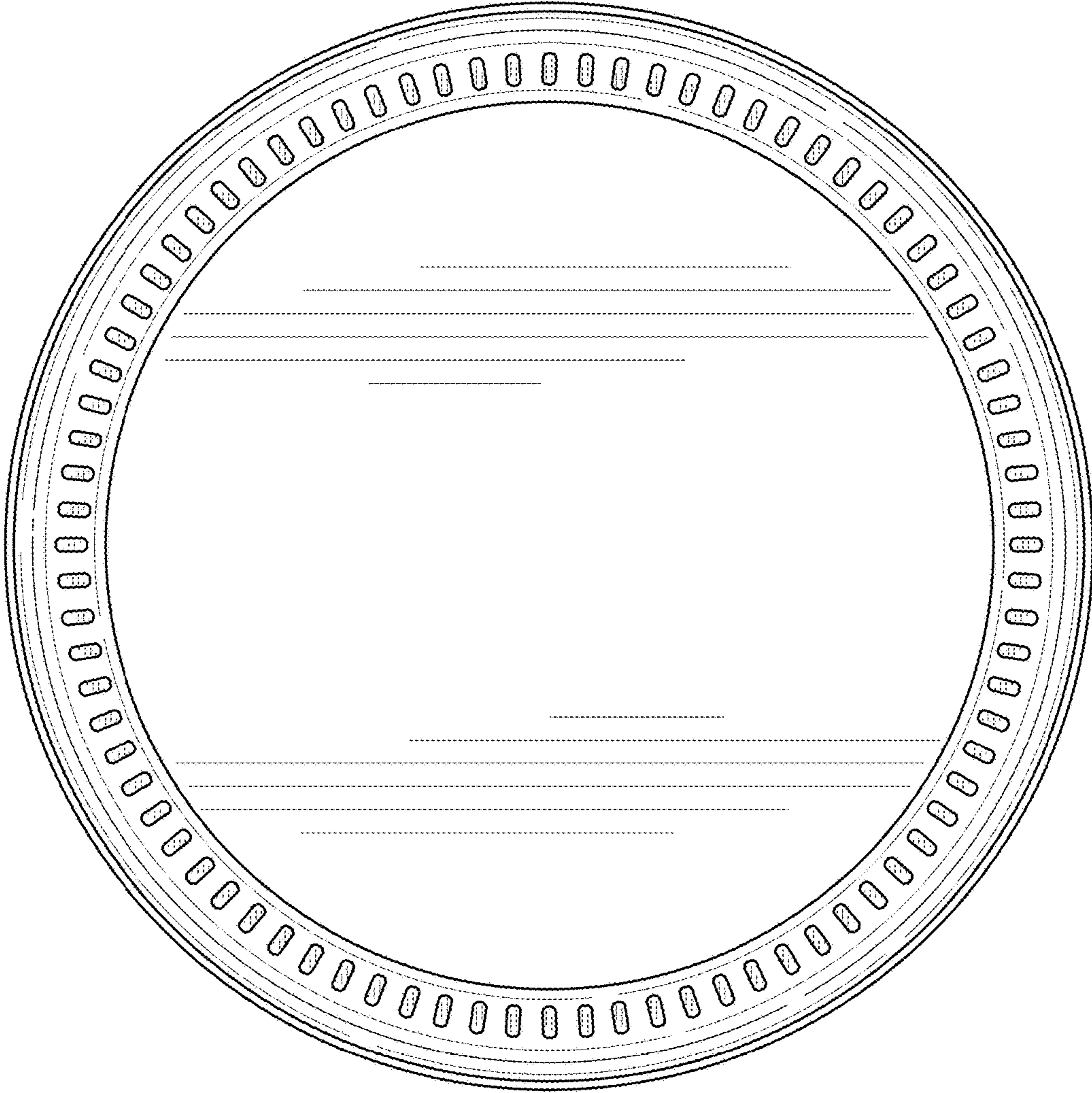


FIG. 16