



US00D826203S

(12) **United States Design Patent** (10) **Patent No.:** **US D826,203 S**  
**Seo et al.** (45) **Date of Patent:** **\*\* \*Aug. 21, 2018**

(54) **MOBILE PHONE**

- (71) Applicant: **LG ELECTRONICS INC.**, Seoul (KR)
- (72) Inventors: **Kiyeal Seo**, Seoul (KR); **Seunghoon Ryu**, Seoul (KR); **Jinwan Bae**, Seoul (KR)
- (73) Assignee: **LG ELECTRONICS INC.**, Seoul (KR)
- (\*) Notice: This patent is subject to a terminal disclaimer.
- (\*\*) Term: **15 Years**
- (21) Appl. No.: **29/574,784**
- (22) Filed: **Aug. 18, 2016**

(30) **Foreign Application Priority Data**

- Feb. 19, 2016 (KR) ..... 30-2016-0007810
- (51) **LOC (11) Cl.** ..... **14-03**
- (52) **U.S. Cl.**  
USPC ..... **D14/138 AB; D14/138 AD**
- (58) **Field of Classification Search**  
USPC ..... D14/138 AA, 138 AB, 138 AC, 138 AD, D14/138 C, 138 G, 138 R, 248, 341, 342, D14/345, 346, 203.1, 203.3, 203.7, 218, D14/329, 250, 315-318, 388, 389; D10/50; D18/6, 7  
CPC . G06F 1/1652; H04M 1/0214; H04M 1/0218; H04M 1/0268; H04M 1/027; H04M 1/0202; H04M 1/0279; H04M 1/0235;  
(Continued)

(56) **References Cited**

**U.S. PATENT DOCUMENTS**

- D680,525 S \* 4/2013 Deto ..... D14/341
  - D680,527 S \* 4/2013 Reeves ..... D14/341
- (Continued)

**OTHER PUBLICATIONS**

Fresh Surface Phone Concept Has Foldable Body, by Kelvin on Concept Phones, Oct. 5, 2017, [online], [site visited Nov. 1, 2017]. Retrieved from url:https://www.concept-phones.com/microsoft/fresh-surface-phone-concept-foldable-body-video/.\*

(Continued)

*Primary Examiner* — Jeffrey D Asch

*Assistant Examiner* — Tracey J Bell

(74) *Attorney, Agent, or Firm* — Birch, Stewart, Kolasch & Birch, LLP

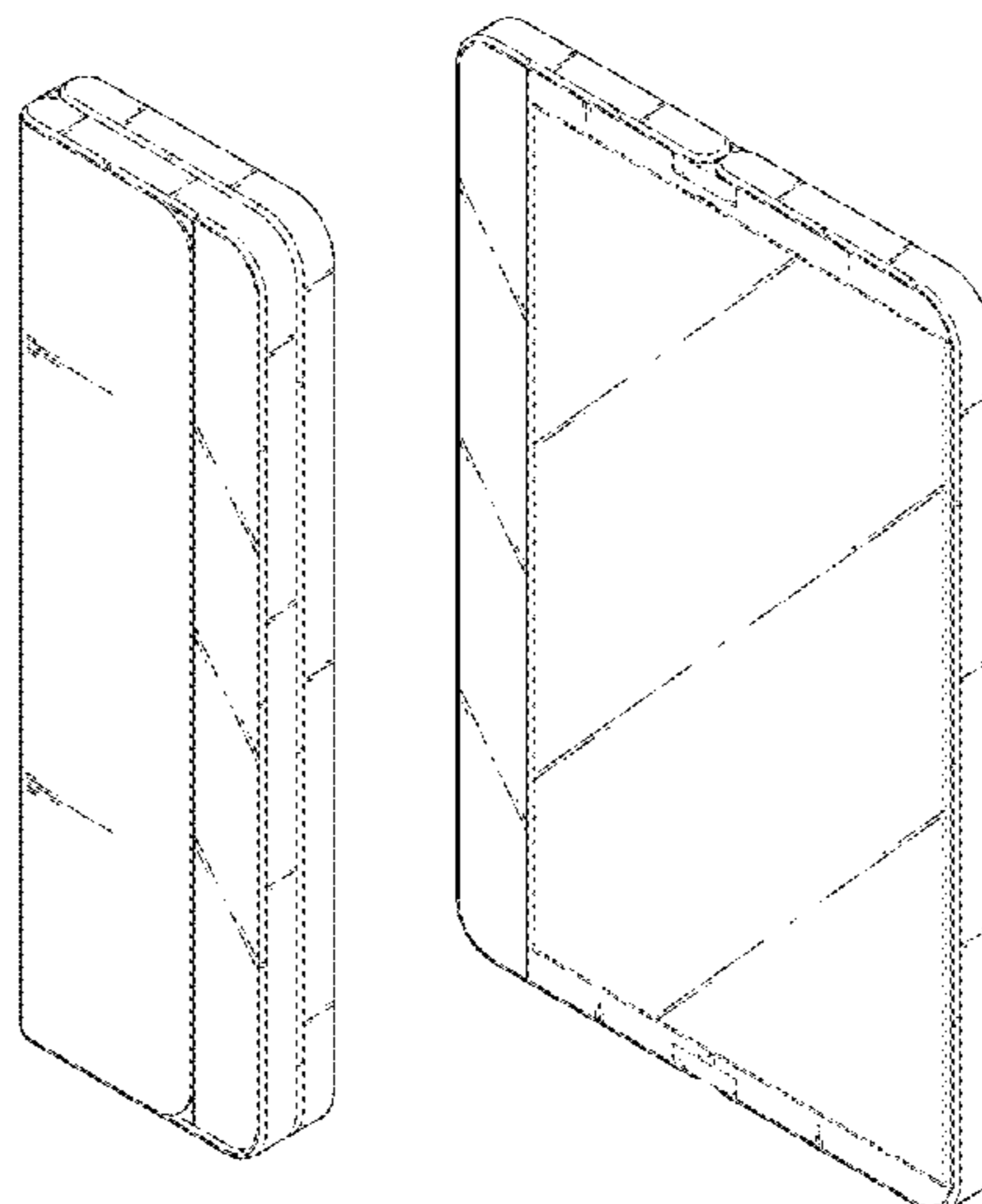
(57) **CLAIM**

The ornamental design for a mobile phone, as shown and described.

**DESCRIPTION**

FIG. 1 is a perspective view of a mobile phone showing our new design;  
 FIG. 2 is a front view thereof;  
 FIG. 3 is a rear view thereof;  
 FIG. 4 is a left side view thereof;  
 FIG. 5 is a right side view thereof;  
 FIG. 6 is a top plan view thereof where the bottom plan view is a mirror image;  
 FIG. 7 is a perspective view thereof showing the state that the subject design is completely unfolded;  
 FIG. 8 is a perspective view thereof showing the state that when folding the subject design in half, the back cover part is pushed aside and then the transparent part on the front left side can be seen at the back side; and,  
 FIG. 9 is a front view thereof showing an example of the usage of the subject design.  
 The broken lines in FIG. 7 depict portions of the mobile phone that form no part of the claimed design. The broken lines in FIG. 9 show environmental structure, which forms no part of the claimed design, and show an example of the mobile phone in a state of operation.

**1 Claim, 9 Drawing Sheets**



(58) **Field of Classification Search**  
 CPC ..... H04M 1/0237; H04M 1/0239; H04M  
 1/0266; H04M 1/0295  
 See application file for complete search history.

(56) **References Cited**

U.S. PATENT DOCUMENTS

D681,000 S \* 4/2013 Koh ..... D14/203.4  
 9,213,428 B2 \* 12/2015 Ma ..... G06F 3/041  
 D749,573 S \* 2/2016 Park ..... D14/203.4  
 D749,574 S \* 2/2016 Park ..... D14/203.4  
 D749,575 S \* 2/2016 Park ..... D14/203.4  
 D754,657 S \* 4/2016 Kim ..... D14/345  
 D757,717 S \* 5/2016 Park ..... D14/341  
 D767,525 S \* 9/2016 Byun ..... D14/138 AB  
 D772,225 S \* 11/2016 Kim ..... D14/341  
 D775,598 S \* 1/2017 Kim ..... D14/138 AB  
 D778,253 S \* 2/2017 Kwak ..... D14/138 AB  
 D782,436 S \* 3/2017 Kwak ..... D14/138 AB  
 D788,773 S \* 6/2017 Seo ..... D14/345  
 D788,774 S \* 6/2017 Seo ..... D14/345  
 9,690,385 B2 \* 6/2017 Becze ..... G06F 3/017  
 D791,725 S \* 7/2017 Lee ..... D14/138 AB  
 D798,257 S \* 9/2017 Choo ..... D14/138 AB  
 D800,112 S \* 10/2017 Park ..... D14/345  
 D807,854 S \* 1/2018 Seo ..... D14/138 AB  
 D807,855 S \* 1/2018 Seo ..... D14/138 AB  
 D810,041 S \* 2/2018 Lee ..... D14/138 AB  
 2011/0074655 A1 \* 3/2011 Tan ..... H04M 1/0214  
 345/1.1  
 2013/0307816 A1 \* 11/2013 Lee ..... G06F 1/1652  
 345/174  
 2013/0342090 A1 \* 12/2013 Ahn ..... G09F 9/33  
 312/258  
 2015/0160698 A1 \* 6/2015 Tsukamoto ..... G06F 1/1616  
 345/1.3  
 2015/0233162 A1 \* 8/2015 Lee ..... H04M 1/02  
 16/223  
 2015/0338888 A1 \* 11/2015 Kim ..... G06F 1/1677  
 345/156  
 2016/0011628 A1 \* 1/2016 Sato ..... G06F 1/1656  
 361/679.3

2016/0085271 A1 \* 3/2016 Morrison ..... G06F 1/1681  
 361/679.27  
 2016/0155967 A1 \* 6/2016 Lee ..... G06F 3/0412  
 257/88  
 2016/0334836 A1 \* 11/2016 Hong ..... G06F 1/1616  
 2017/0123558 A1 \* 5/2017 Hong ..... G09G 3/001  
 2017/0206863 A1 \* 7/2017 An ..... G06F 1/1652  
 2017/0278900 A1 \* 9/2017 Yang ..... H01L 27/3272

OTHER PUBLICATIONS

Lenovo Folio is a Foldable Tablet That Actually Works, by Kelvin on Concept Phones, Jul. 22, 2017, [online], [site visited Nov. 1, 2017]. Retrieved from url:<https://www.concept-phones.com/lenovo/lenovo-folio-foldable-tablet-works-video/>.\*  
 Lunark is a Dual Folding Smartphone With a Special Hinge Included, by Kelvin on Concept Phones, Aug. 26, 2015, [online], [site visited Nov. 1, 2017]. Retrieved from url:<https://www.concept-phones.com/cool-concepts/lunark-dual-folding-smartphone-special-hinge-included/>.\*  
 Microsoft Surface Note is Basically the Surface Phone Courier We Want, by Kelvin on Concept Phones, Jun. 18, 2017, [online], [site visited Nov. 1, 2017]. Retrieved from url:<https://www.concept-phones.com/microsoft/microsoft-surface-note-basically-surface-phone-courier/>.\*  
 Probably the Most Beautiful Samsung Galaxy S5 Render is Here, With Folding Display, by Thrystan on Concept Phones, Sep. 2, 2013, [online], [site visited Nov. 1, 2017]. Retrieved from url:<https://www.concept-phones.com/samsung/beautiful-samsung-galaxy-s5-render-folding-display/>.\*  
 Samsung Galaxy S5 Concept is a Folding Device; 3D Detailed Render Here, by Thrystan on Concept Phones, Apr. 29, 2013, [online], [site visited Nov. 1, 2017]. Retrieved from url:<https://www.concept-phones.com/samsung/samsung-galaxy-s5-concept-folding-device-3d-detailed-render/>.\*  
 Youm Flexible OLED Display Commercial: Samsung CES 2013, Jan. 9, 2013, [online], [site visited Nov. 18, 2017]. Retrieved from url:<https://www.youtube.com/watch?v=6OYTyl3ipgk>.\*

\* cited by examiner

FIG. 1

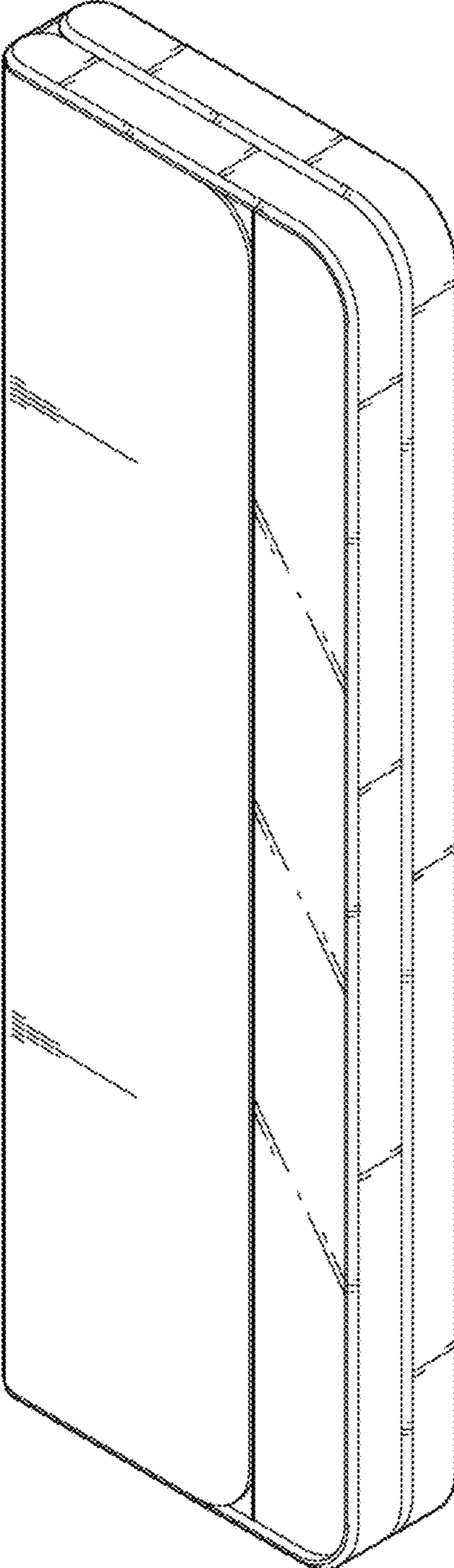


FIG. 2

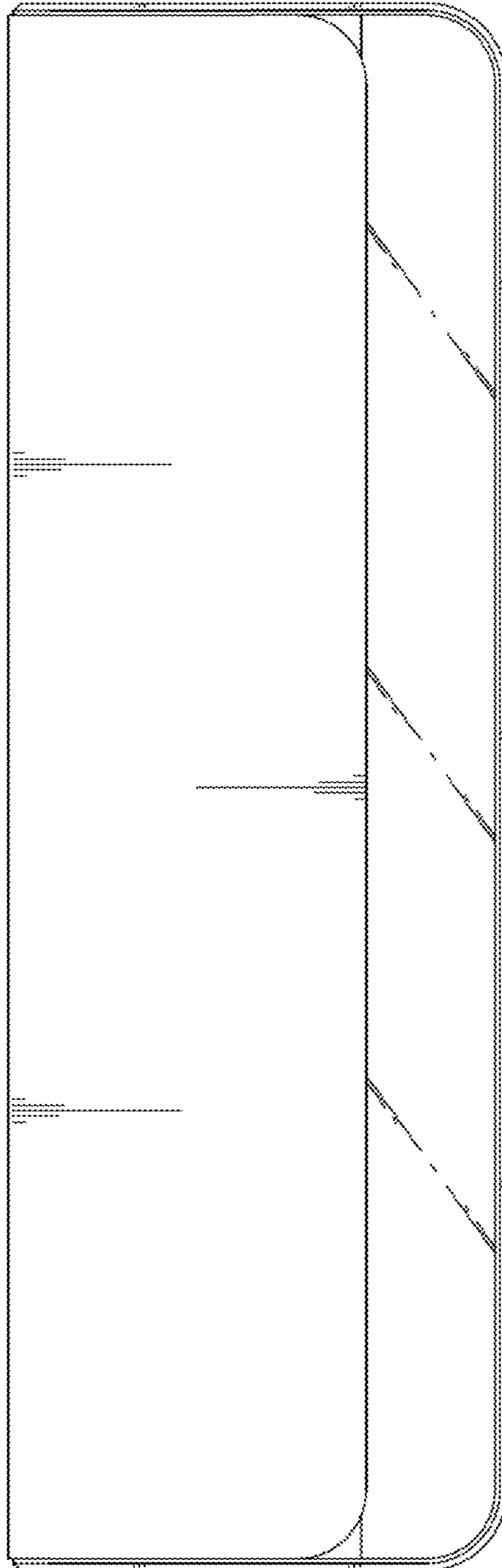


FIG. 3

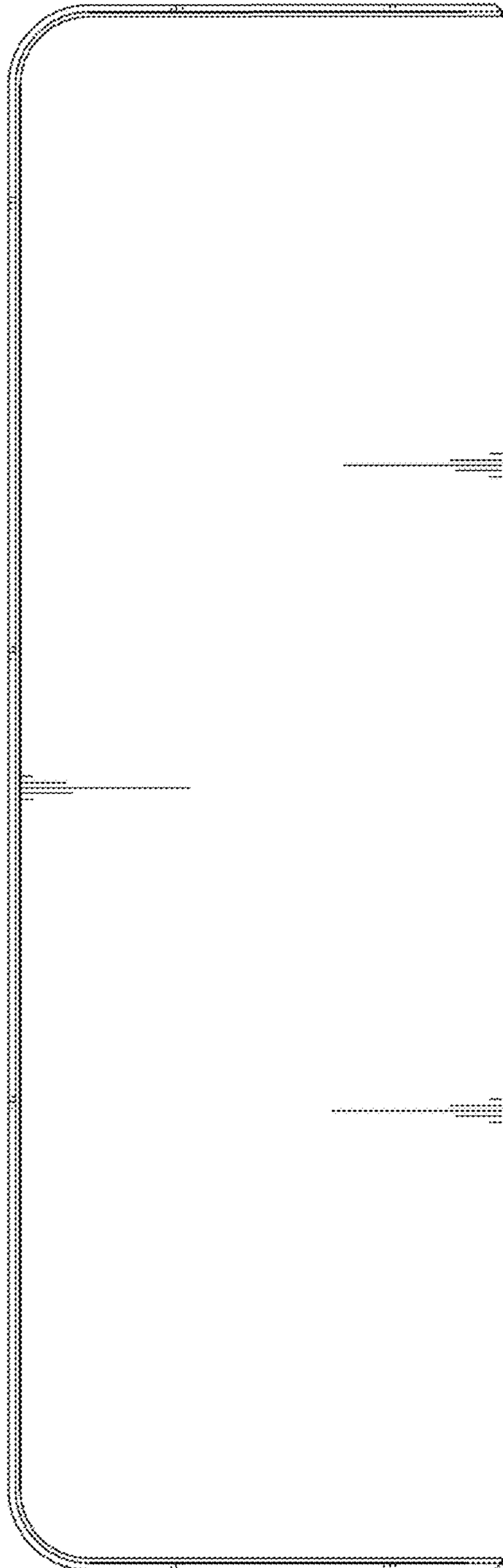


FIG. 4

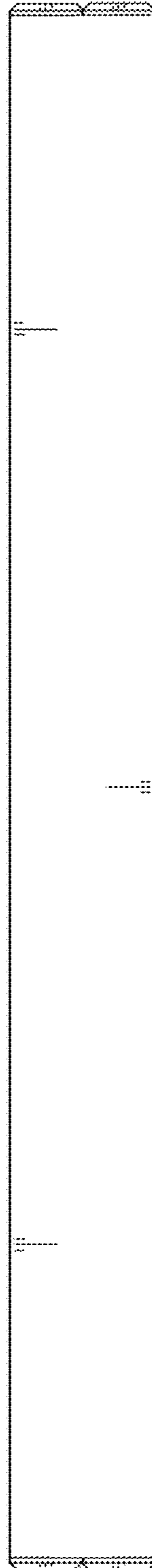


FIG. 5

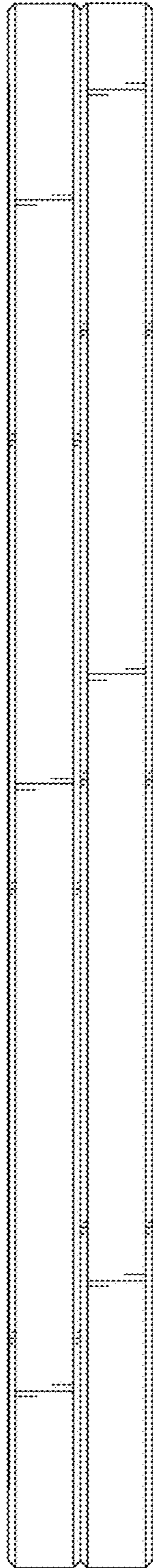


FIG. 6

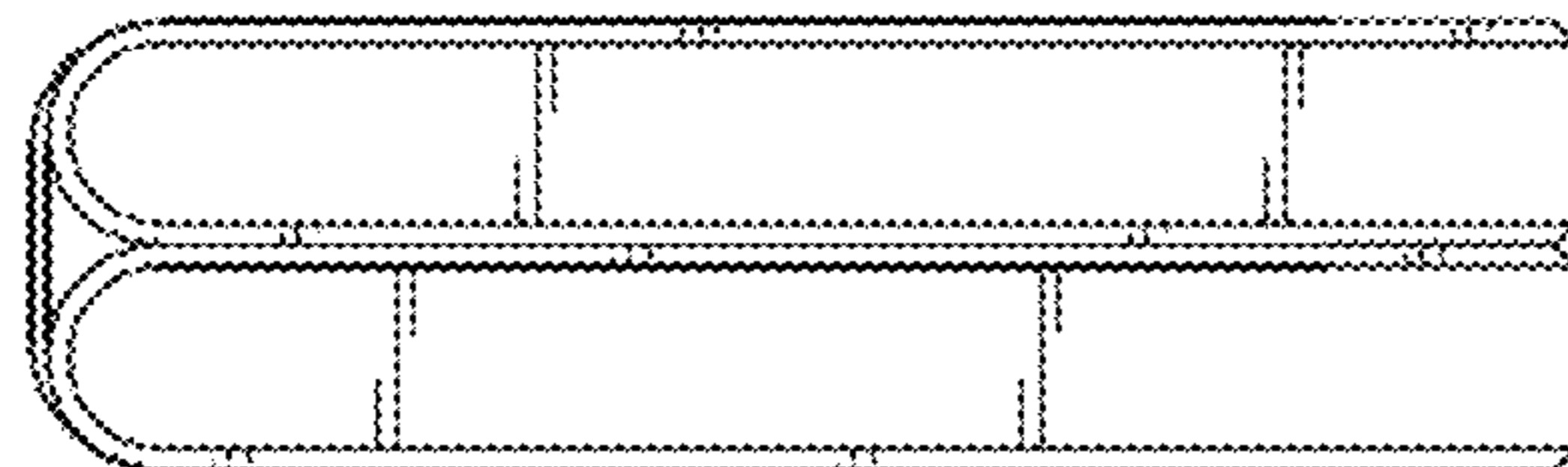




FIG. 7

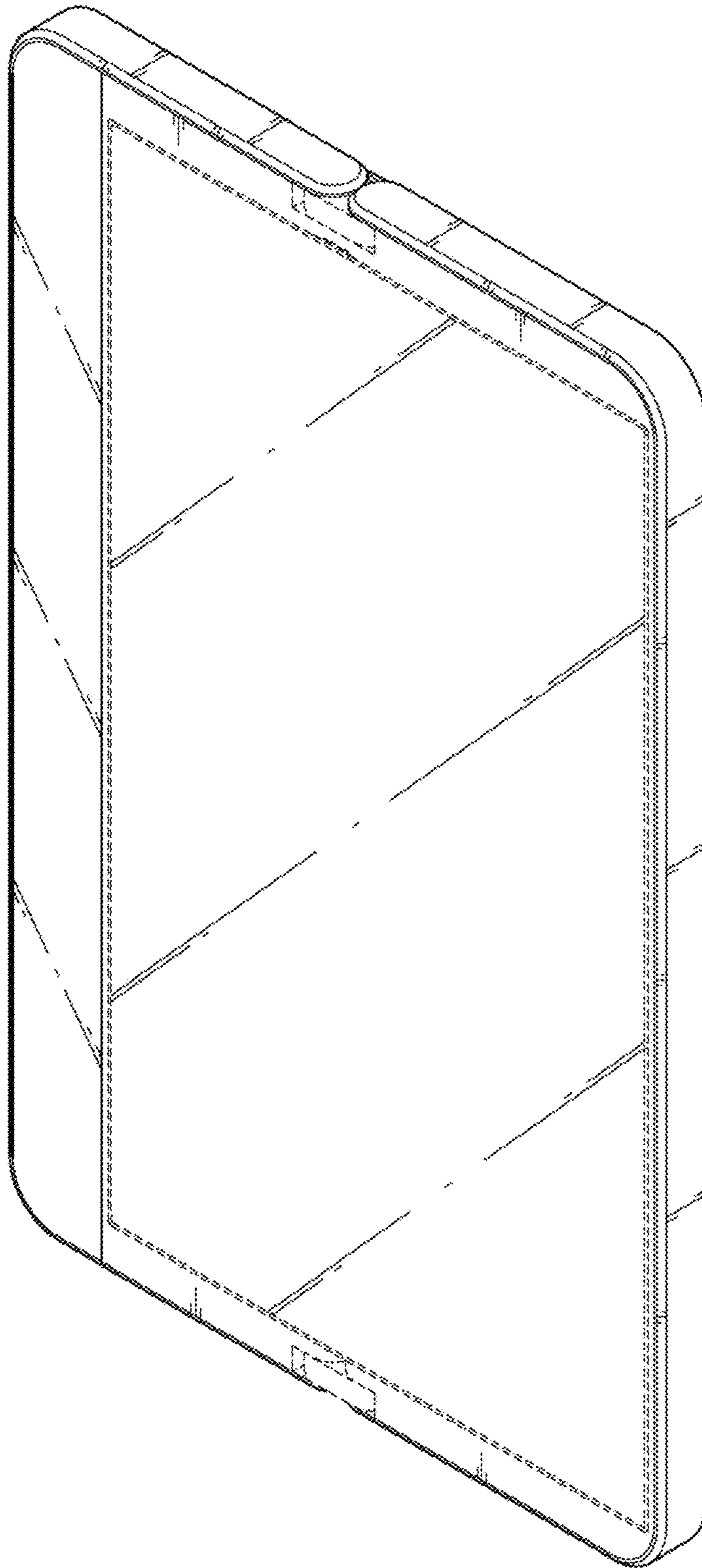


FIG. 8

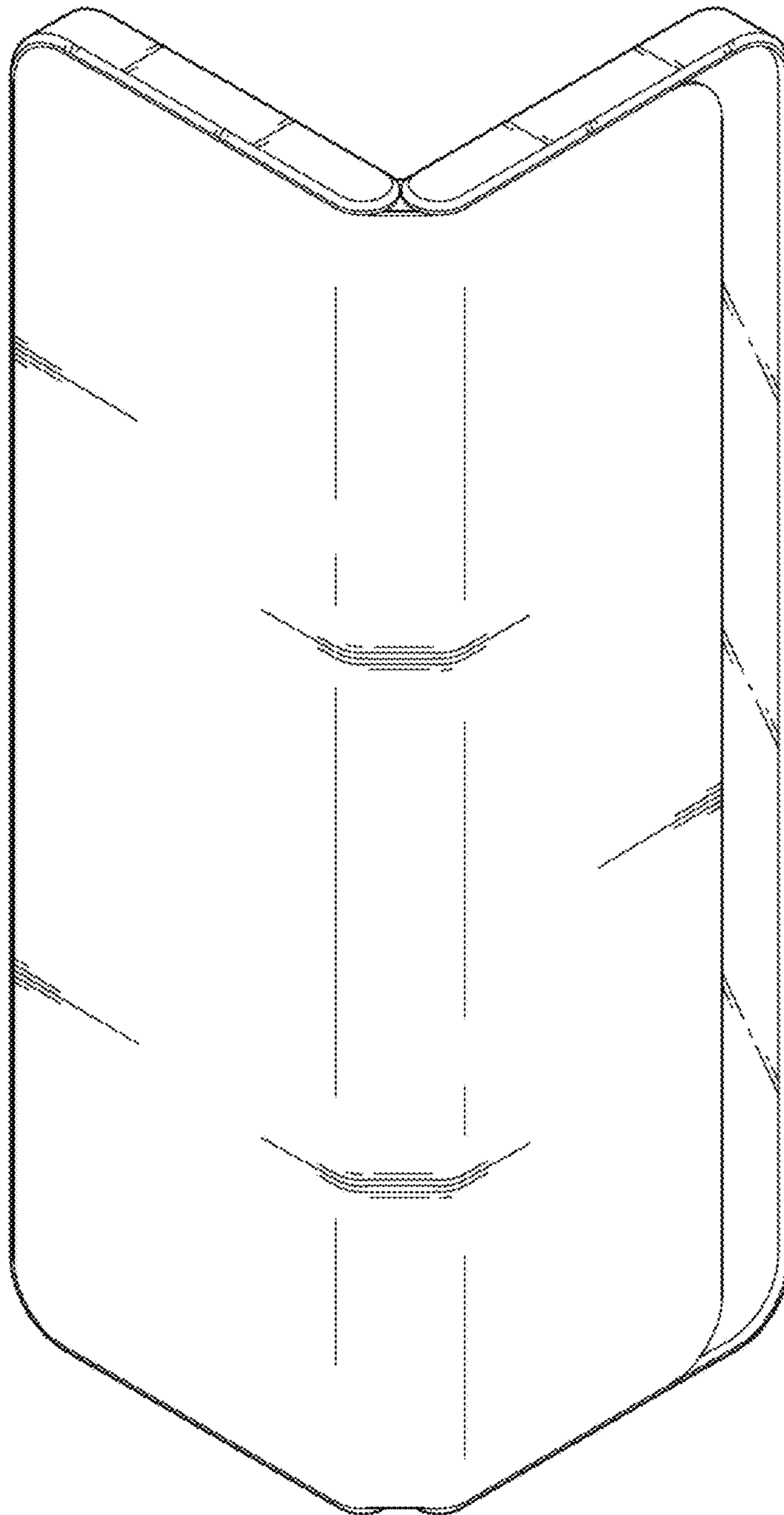


FIG. 9

