



US00D826183S

(12) **United States Design Patent** (10) **Patent No.:** **US D826,183 S**
Nuovo (45) **Date of Patent:** **** Aug. 21, 2018**

(54) **HEAT SINK FOR A HEAD MOUNTED DEVICE**

D770,558 S *	11/2016	Ghodousi	D16/309
D771,040 S *	11/2016	Nuovo	D14/372
D771,626 S *	11/2016	Ko	D14/372
D776,110 S *	1/2017	Gribetz	D14/372
D785,619 S *	5/2017	Su	D14/372

(71) Applicant: **Atheer, Inc.**, Mountain View, CA (US)

(72) Inventor: **Frank Nuovo**, Los Angeles, CA (US)

(73) Assignee: **Atheer, Inc.**, Mountain View, CA (US)

(**) Term: **15 Years**

(21) Appl. No.: **29/545,799**

(22) Filed: **Nov. 16, 2015**

(51) **LOC (11) Cl.** **13-03**

(52) **U.S. Cl.**
USPC **D13/179**

(58) **Field of Classification Search**
USPC D13/179, 145, 184; D23/318, 322;
D14/372
CPC B60H 1/2206; B60H 1/00264; B60H
1/00357; F24H 1/009; F24H 1/06; H05K
7/20172; F28F 2215/00; F28F 2215/02;
F28F 2250/00; F28F 3/022; F28F
2215/04; G06F 1/20; F21V 29/80; F21V
29/81; H01L 23/3677; F28D 2021/0029
See application file for complete search history.

(56) **References Cited**

U.S. PATENT DOCUMENTS

D601,641 S *	10/2009	Yeung	D16/306
D741,327 S *	10/2015	Reznik	D14/372
D746,818 S *	1/2016	Cho	D14/372
D749,583 S *	2/2016	Luckey	D14/372
D751,552 S *	3/2016	Osterhout	D14/372
D755,789 S *	5/2016	Lyons	D14/372
D762,763 S *	8/2016	Balachandreswaran	D16/300

OTHER PUBLICATIONS

Design Studio Nuovo, "Augmented Reality Leader Atheer Unveils AiR™ Glasses . . .", Posted on Aug. 21, 2015, Accessed May 18, 2016. (<http://www.dsnuovo.com/news.html>).*

GIGAOM, "At \$350, the Atheer One glasses are a low-cost option to enter augmented reality", Posted Dec. 19, 2013, Accessed Jun. 26, 2017. (<https://gigaom.com/2013/12/19/at-350-the-atheer-one-glasses-are-a-low-cost-option-to-get-into-augmented-reality/>).*

* cited by examiner

Primary Examiner — Jennifer Rivard

Assistant Examiner — April Rivas

(74) *Attorney, Agent, or Firm* — Mohr Intellectual Property Law Solutions, P.C.

(57) **CLAIM**

The ornamental design for a heat sink for a head mounted device, as shown and described.

DESCRIPTION

FIG. 1 is a top, front, and right side perspective view of a heat sink for a head mounted device.

FIG. 2 is a top plan view thereof.

FIG. 3 is a front elevation view thereof.

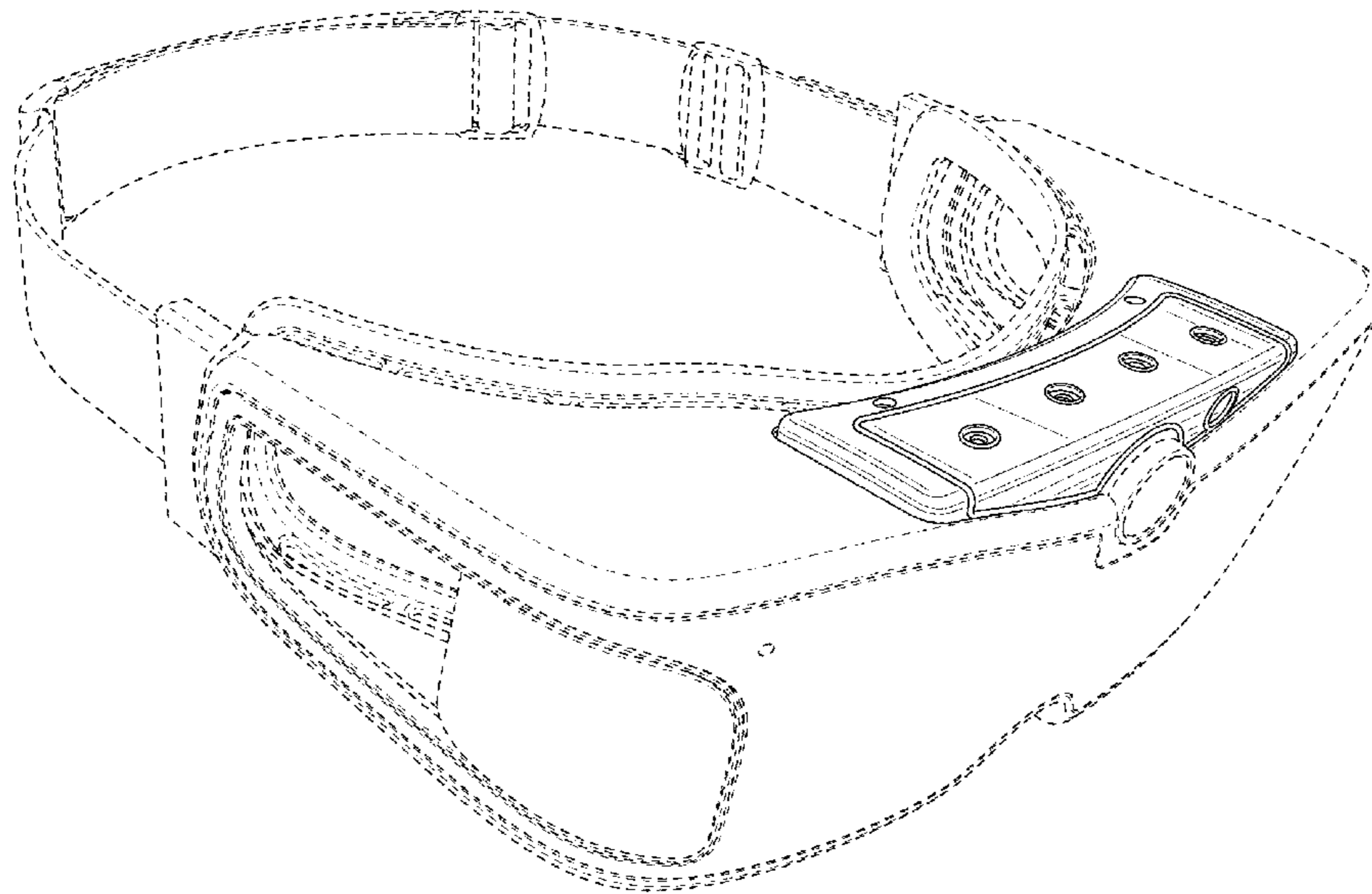
FIG. 4 is a left side elevation view thereof.

FIG. 5 is a right side elevation view thereof; and,

FIG. 6 is a top, rear, and right side perspective view thereof.

The broken lines shown in the drawings illustrate environment and form no part of the claimed design.

1 Claim, 6 Drawing Sheets



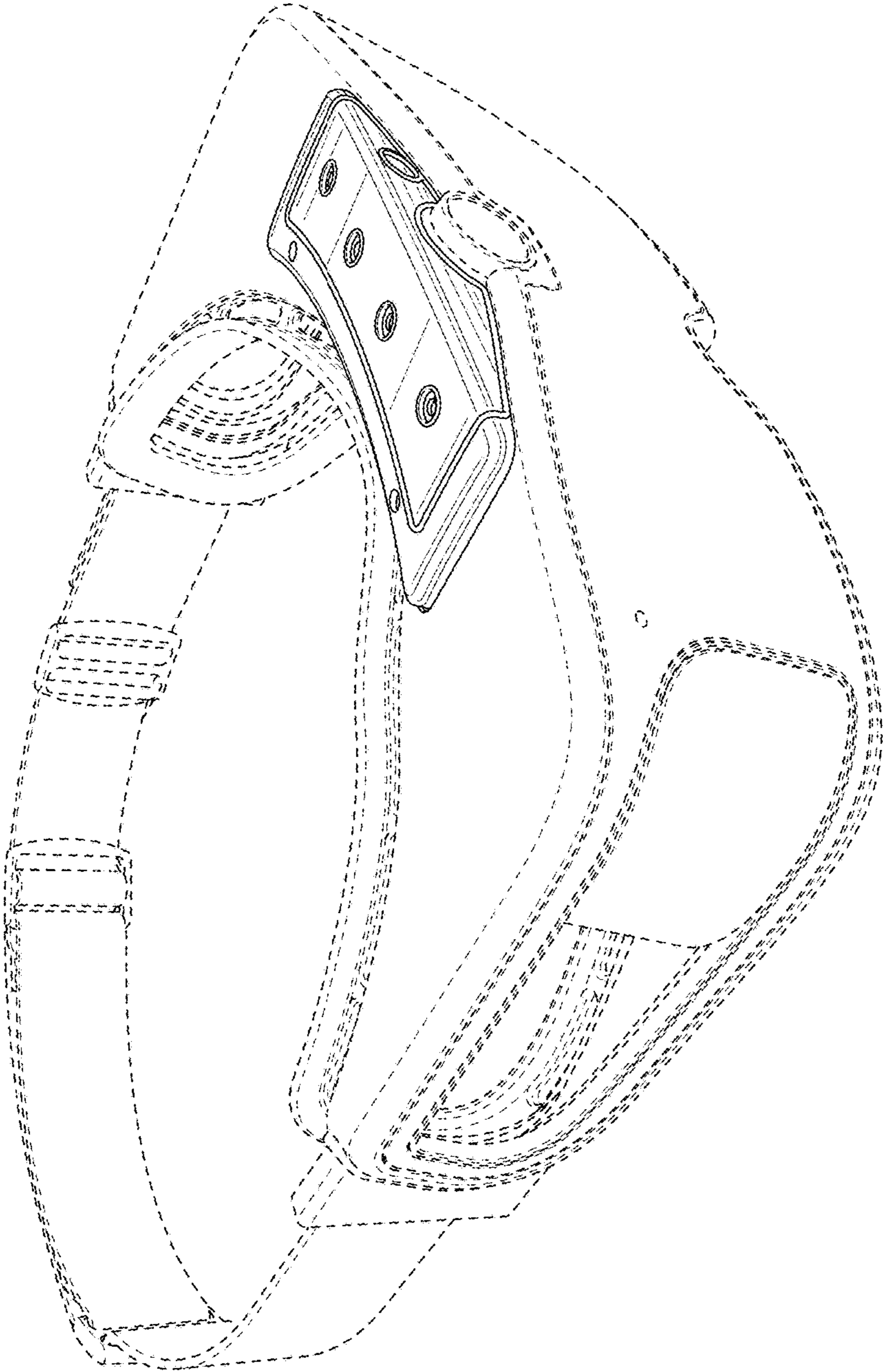


Fig. 1

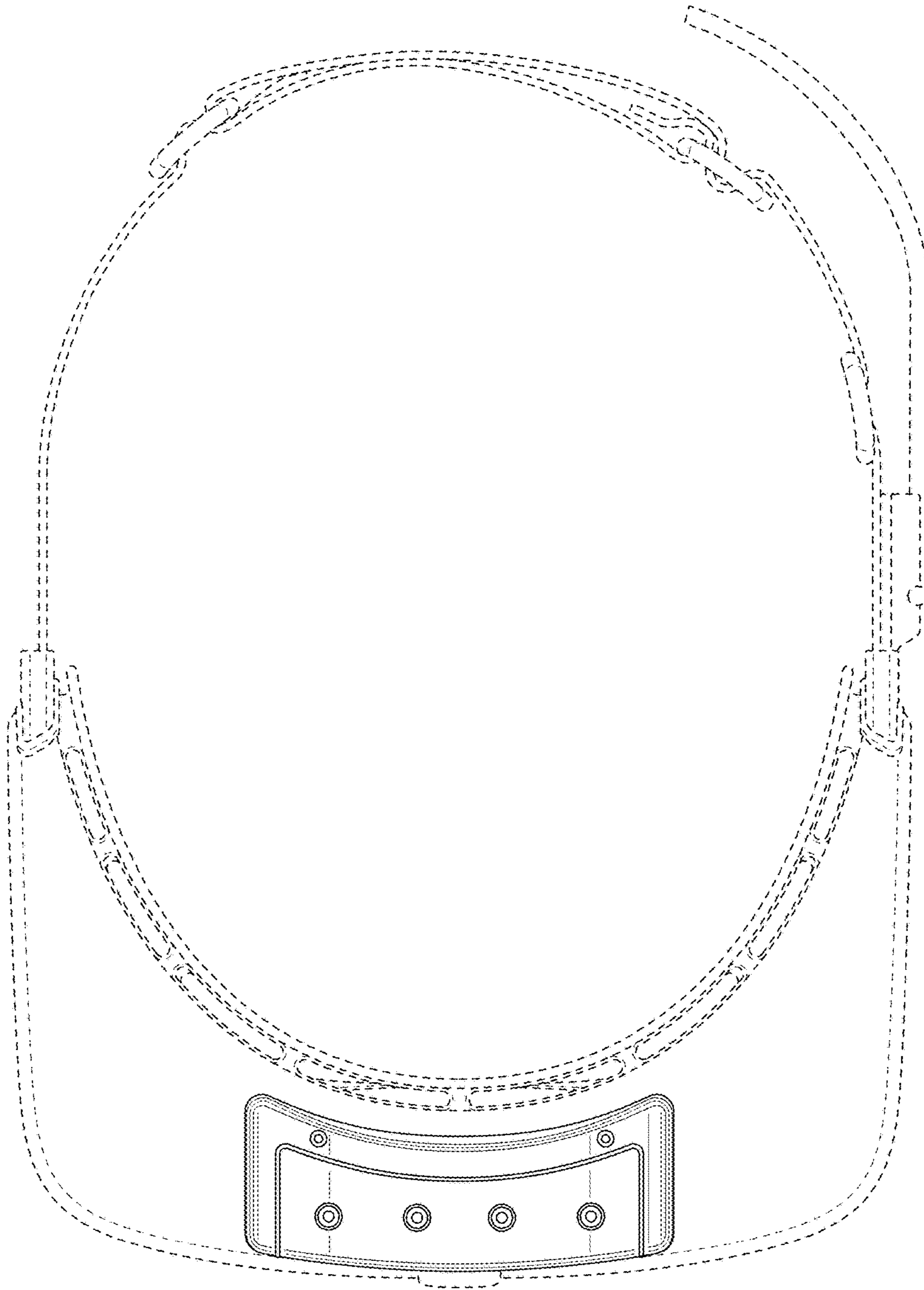


Fig. 2

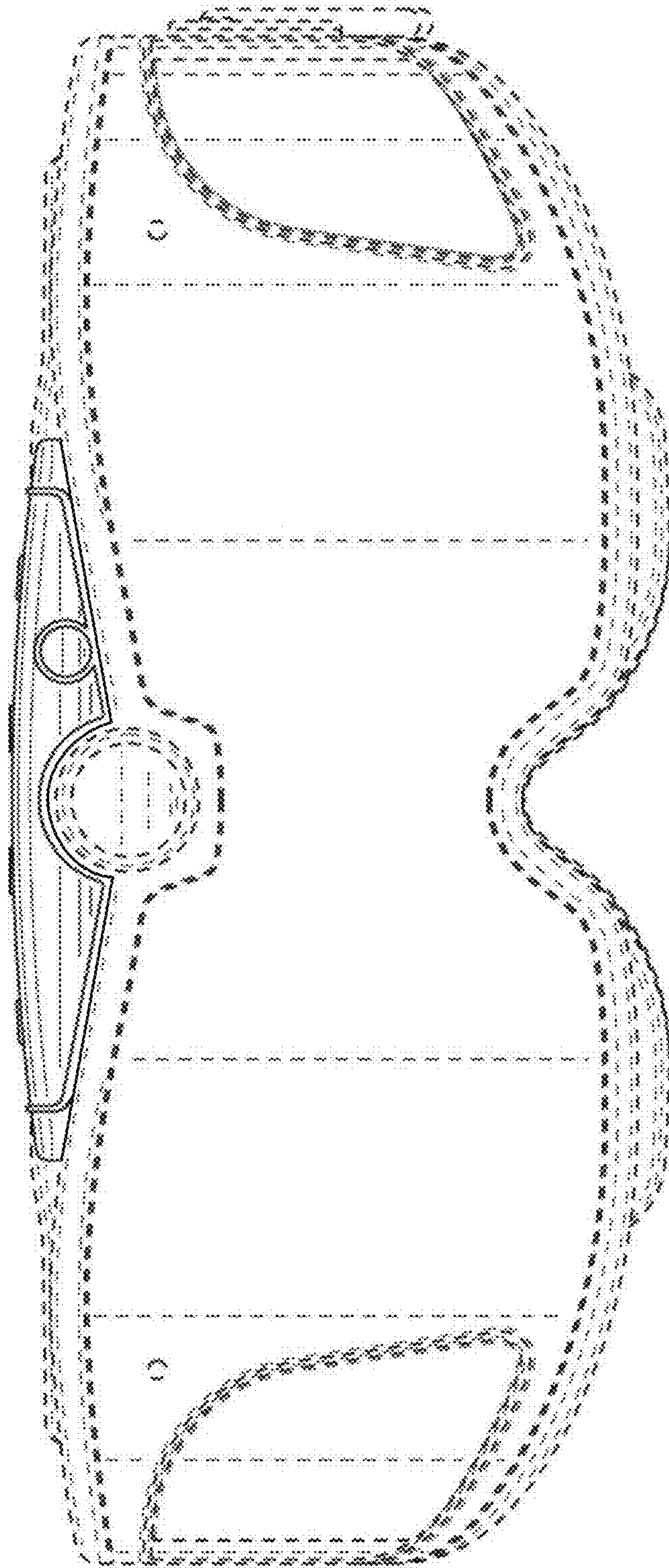


FIG. 3

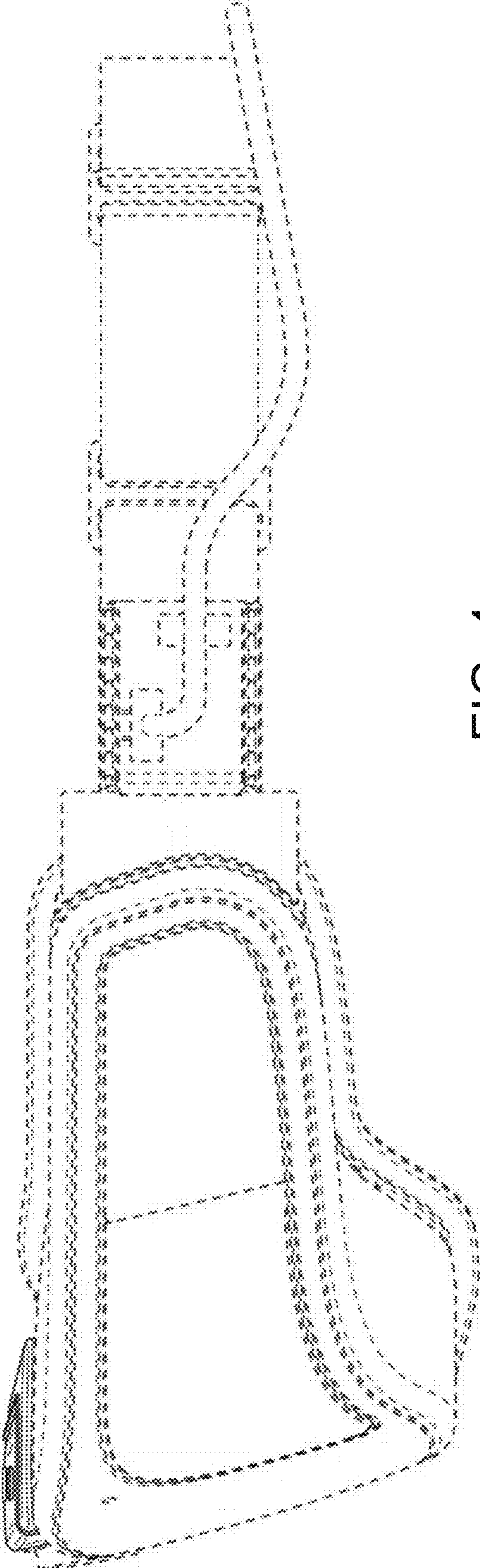


FIG. 4

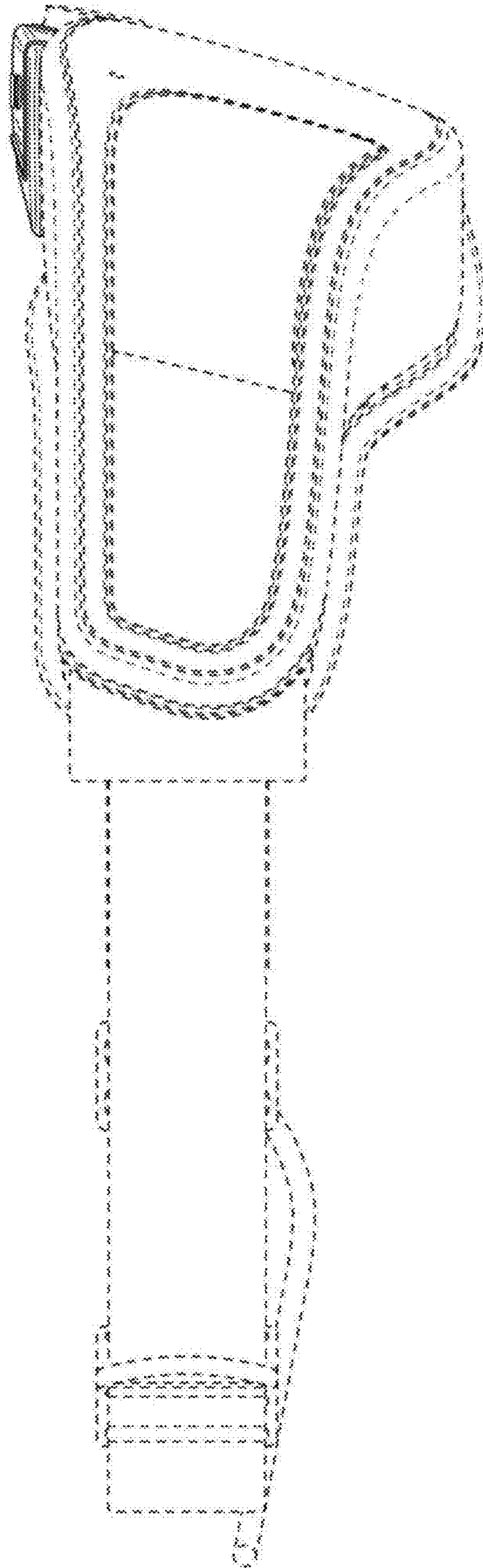


FIG. 5

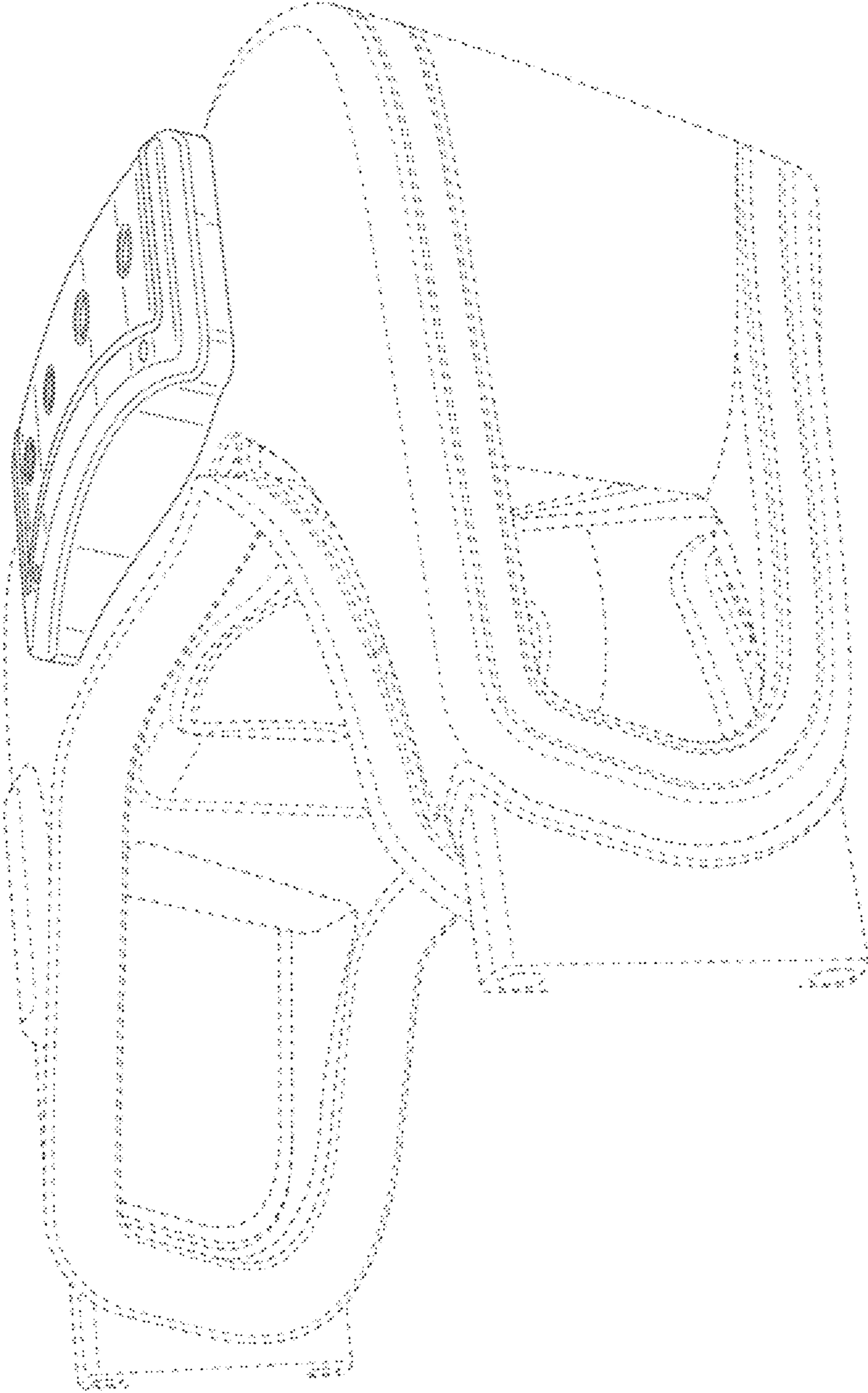


FIG. 6