



US00D826182S

(12) **United States Design Patent** (10) **Patent No.:** **US D826,182 S**
Vierjärvi et al. (45) **Date of Patent:** **** *Aug. 21, 2018**

(54) **EQUIPMENT FOR CONTROL OF ELECTRIC POWER**

(71) Applicant: **ABB Technology Oy**, Helsinki (FI)

(72) Inventors: **Kari Vierjärvi**, Espoo (FI); **Ville Piironen**, Espoo (FI)

(73) Assignee: **ABB Technology Oy**, Helsinki (FI)

(*) Notice: This patent is subject to a terminal disclaimer.

(**) Term: **15 Years**

(21) Appl. No.: **29/597,958**

(22) Filed: **Mar. 21, 2017**

(51) **LOC (11) Cl.** **13-03**

(52) **U.S. Cl.**

USPC **D13/163**

(58) **Field of Classification Search**

USPC D13/158, 162, 163, 184

CPC ... H02B 1/01; H02B 1/26; H02B 1/30; H05K

5/00; H05K 5/0004; H05K 5/0008; H05K

5/0017; H05K 5/03; H05K 5/04

See application file for complete search history.

(56) **References Cited**

U.S. PATENT DOCUMENTS

D193,301 S *	7/1962	Brokaw	D13/163
D210,078 S *	2/1968	Eck	D13/163
D349,888 S *	8/1994	Yamamoto	D13/163
D365,086 S *	12/1995	Spechts	D13/184
5,822,180 A *	10/1998	Deschamps	H02B 1/015 361/627
D503,931 S *	4/2005	Kauranen	D13/184
D512,696 S *	12/2005	Nurmi	D13/162
D521,466 S *	5/2006	Nurmi	D13/184
D543,161 S *	5/2007	Stepputat	D13/184
D588,081 S *	3/2009	Lewis, II	D13/184

7,952,042 B2 *	5/2011	Coomer	H02B 11/02 200/293
D653,224 S *	1/2012	Jonas	D13/184
2014/0104759 A1 *	4/2014	Takano	H05K 7/1432 361/637
2015/0173253 A1 *	6/2015	Lewis, II	H05K 5/0004 312/223.2
2016/0219729 A1 *	7/2016	Omari	H02B 1/26
2016/0255421 A1 *	9/2016	Farrar	H04Q 9/00 340/870.07
2016/0372896 A1 *	12/2016	Strong	H02B 1/06
2017/0077831 A1 *	3/2017	Yanagimoto	H05K 7/1432
2017/0150636 A1 *	5/2017	Segroves	H05K 7/1489
2017/0172015 A1 *	6/2017	Yu	H05K 7/20909

* cited by examiner

Primary Examiner — Selina Sikder

(74) *Attorney, Agent, or Firm* — Taft Stettinius & Hollister LLP

(57) **CLAIM**

The ornamental design for equipment for control of electric power, as shown and described.

DESCRIPTION

FIG. 1 is a perspective side view of equipment for control of electric power.

FIG. 2 is a front side view of the equipment shown in FIG. 1.

FIG. 3 is a back side view of the equipment shown in FIG. 1.

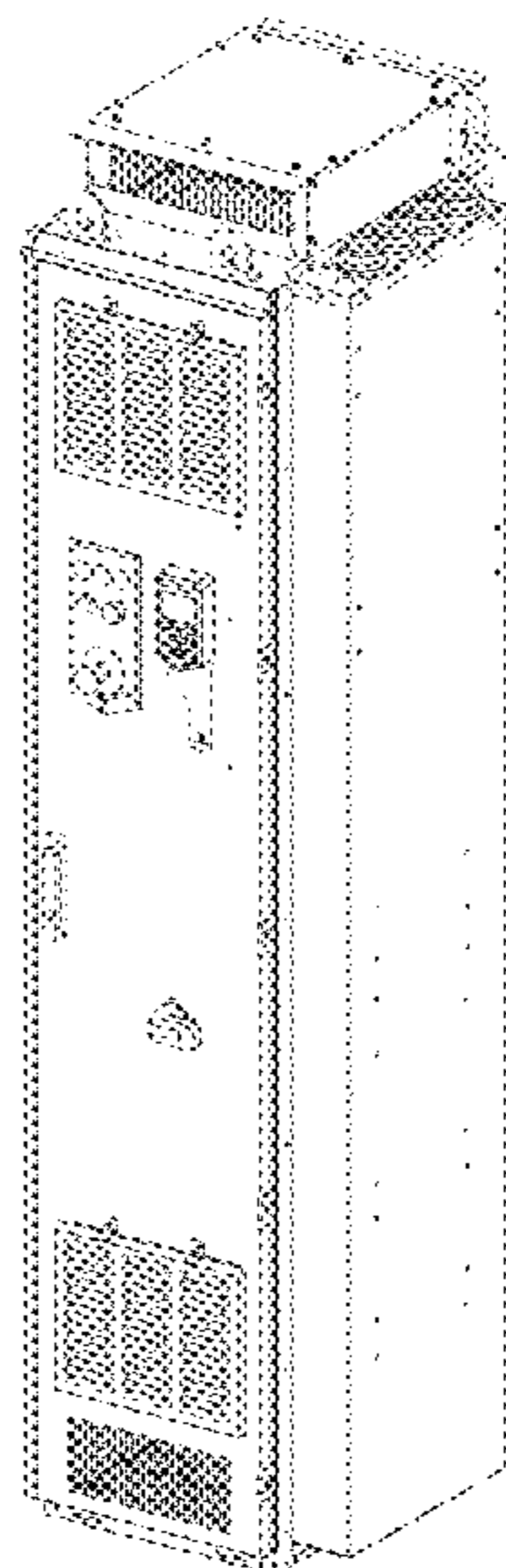
FIG. 4 is a right side view of the equipment shown in FIG. 1.

FIG. 5 is a left side view of the equipment shown in FIG. 1.

FIG. 6 is a top side view of the equipment shown in FIG. 1; and,

FIG. 7 is a bottom side view of the equipment shown in FIG. 1 wherein the broken lines are shown for illustrative purposes only and forms no part of the claimed design.

1 Claim, 7 Drawing Sheets



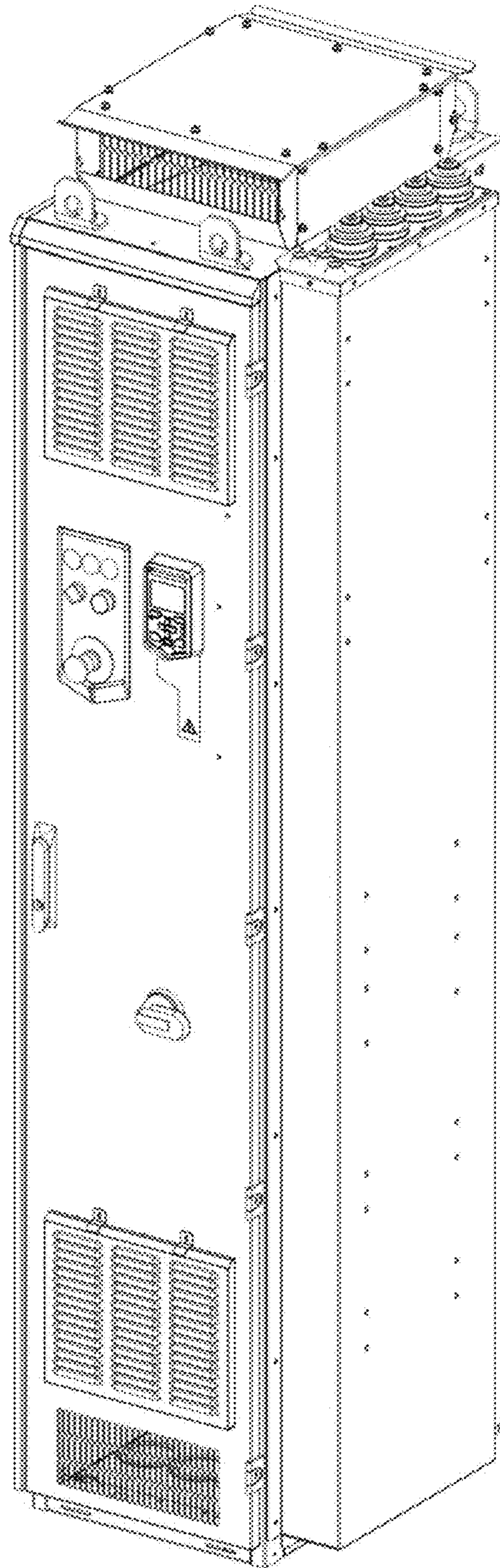


FIGURE 1

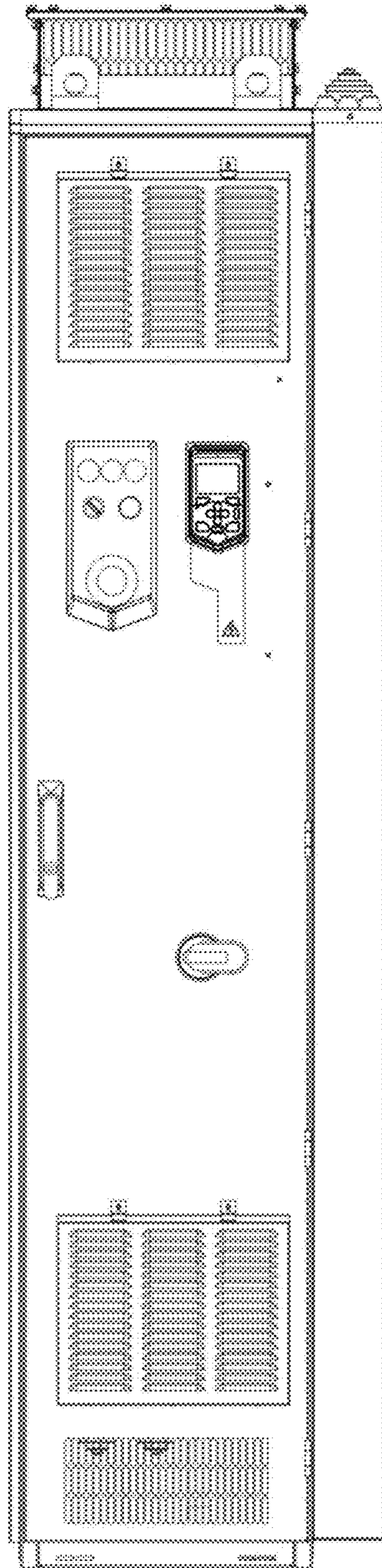


FIGURE 2

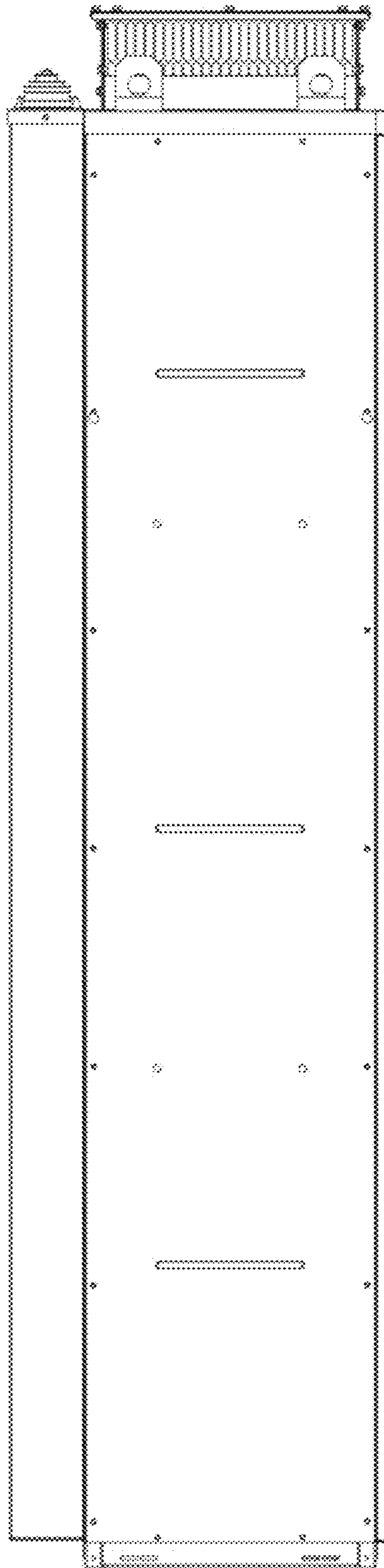


FIGURE 3

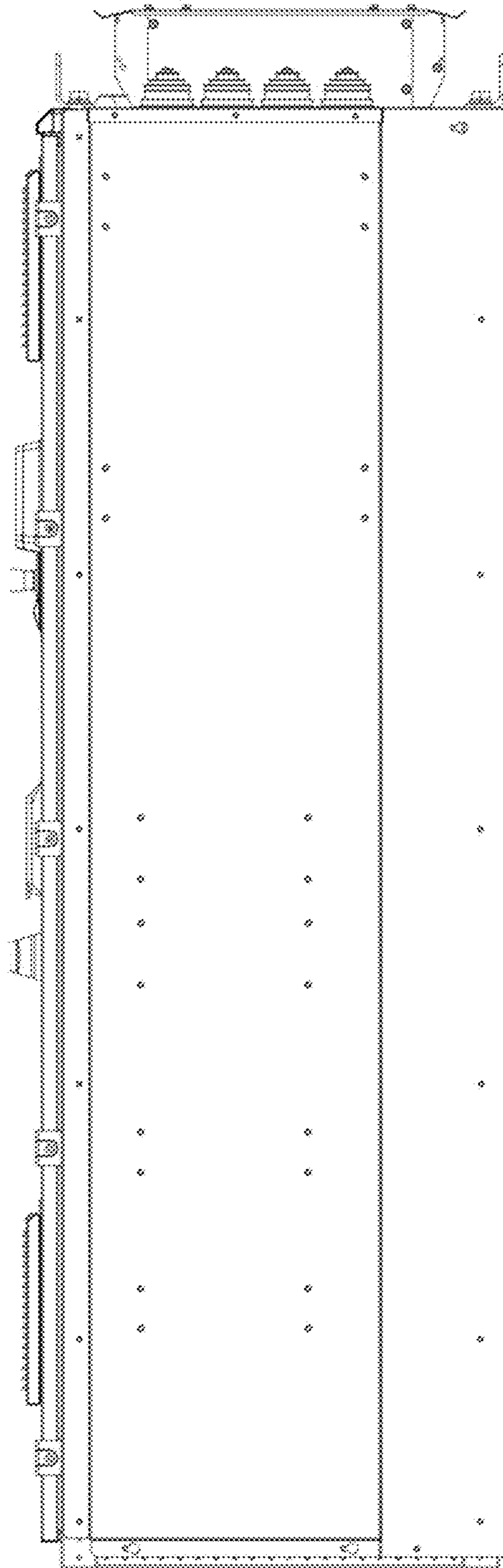


FIGURE 4

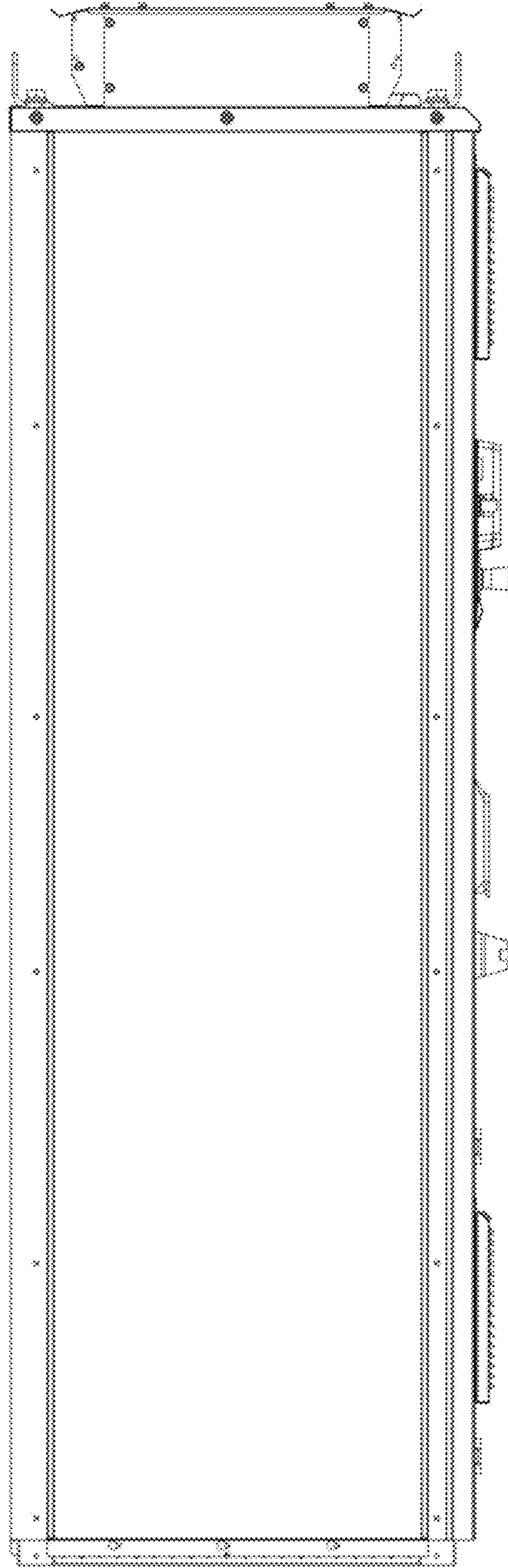


FIGURE 5

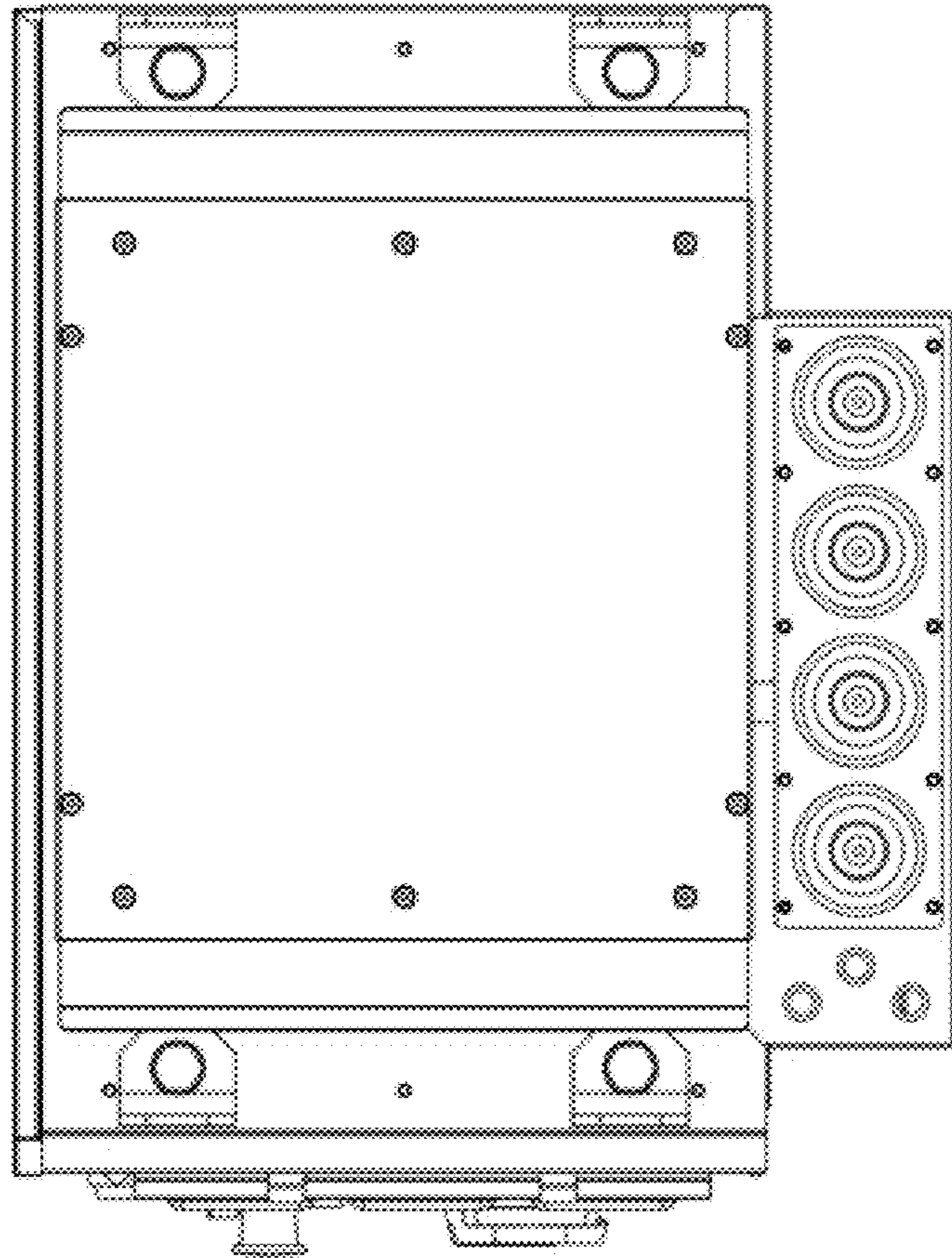


FIGURE 6

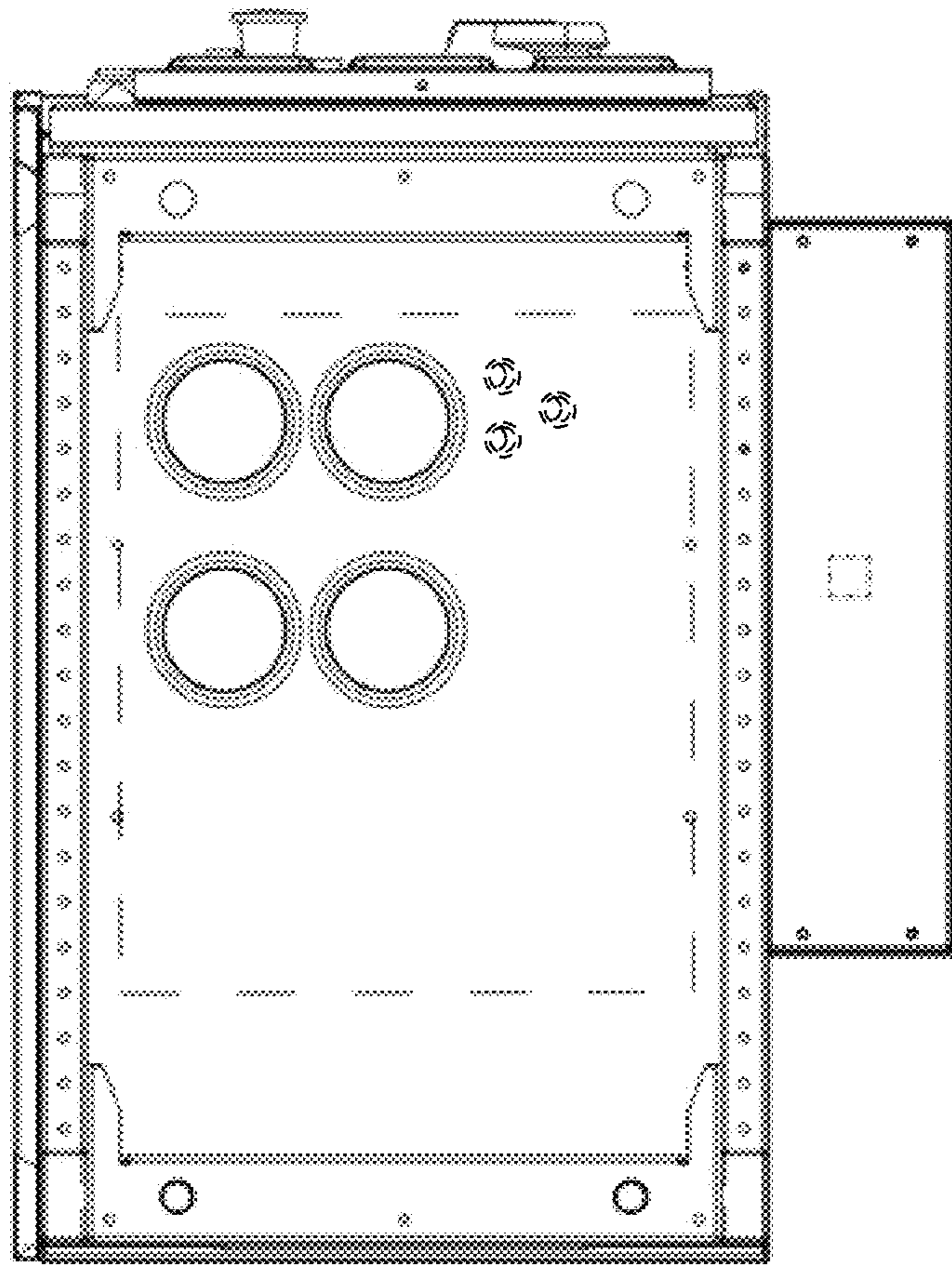


FIGURE 7