



US00D826179S

(12) **United States Design Patent** (10) **Patent No.:** **US D826,179 S**
Auguste et al. (45) **Date of Patent:** **** Aug. 21, 2018**

(54) **GASKET FOR AN ELECTRIC PLUG** 6,320,353 B1 * 11/2001 Chiu H01R 31/06
320/107
(71) Applicants: **Donna M. Auguste**, Denver, CO (US); D573,532 S * 7/2008 Yang D13/110
David E. Hayes, Denver, CO (US) D627,730 S * 11/2010 Huang D13/146
D666,156 S * 8/2012 Auguste D13/156
(72) Inventors: **Donna M. Auguste**, Denver, CO (US); D669,434 S * 10/2012 Kim D13/110
David E. Hayes, Denver, CO (US) D676,810 S * 2/2013 Smith D13/110
D687,778 S * 8/2013 Utz D13/133
D708,586 S * 7/2014 Auguste D13/156
(**) Term: **15 Years** 8,951,075 B2 * 2/2015 Ekchian H01R 13/4538
439/170

(21) Appl. No.: **29/550,013**

(22) Filed: **Dec. 29, 2015**

Related U.S. Application Data

(62) Division of application No. 29/453,439, filed on Apr. 29, 2013, now Pat. No. Des. 750,571.

(51) **LOC (11) Cl.** **13-03**

(52) **U.S. Cl.**
USPC **D13/156**

(58) **Field of Classification Search**

USPC ... D13/156, 133, 137.1, 137.2, 138.1, 138.2,
D13/154, 177, 184, 199; D8/352, 353,
D8/354; D9/439; 174/1, 66, 67; 439/89,
439/105, 109, 149, 152, 445, 625, 651,
439/721, 934, 956

CPC H01R 27/00; H01R 31/06
See application file for complete search history.

(56) **References Cited**

U.S. PATENT DOCUMENTS

1,870,762 A * 8/1932 Winter H01R 29/00
200/51.05
D362,228 S * 9/1995 Hedrick D13/138.1
D372,458 S * 8/1996 Hedrick D13/138.1
D374,657 S * 10/1996 Beranek D13/133
D376,348 S * 12/1996 Hedrick D13/138.1
D378,586 S * 3/1997 Hedrick D13/138.1
D383,117 S * 9/1997 Phillips D13/138.1
6,247,941 B1 * 6/2001 Lee H01R 13/652
439/103

* cited by examiner

Primary Examiner — Derrick Holland

Assistant Examiner — Jennifer O King

(74) *Attorney, Agent, or Firm* — TIPS Group

(57) **CLAIM**

The ornamental design for a gasket for an electric plug, as shown and described.

DESCRIPTION

FIG. 1 is a perspective view of a gasket for an electric plug; FIG. 2 is a front elevational view thereof, the rear elevational view being a mirror image;

FIG. 3 is a left side elevational view thereof, the right side elevational view being a mirror image; and,

FIG. 4 is a top plan view thereof, a bottom plan view being a mirror image.

FIG. 5 is a perspective view of second embodiment of a gasket for an electric plug;

FIG. 6 is a front elevational view thereof, the rear elevational view being a mirror image;

FIG. 7 is a left side elevational view thereof, the right side elevational view being a mirror image; and,

FIG. 8 is a top plan view thereof, a bottom plan view being a mirror image.

The broken lines shown represent environment and form no part of the claimed design.

1 Claim, 2 Drawing Sheets

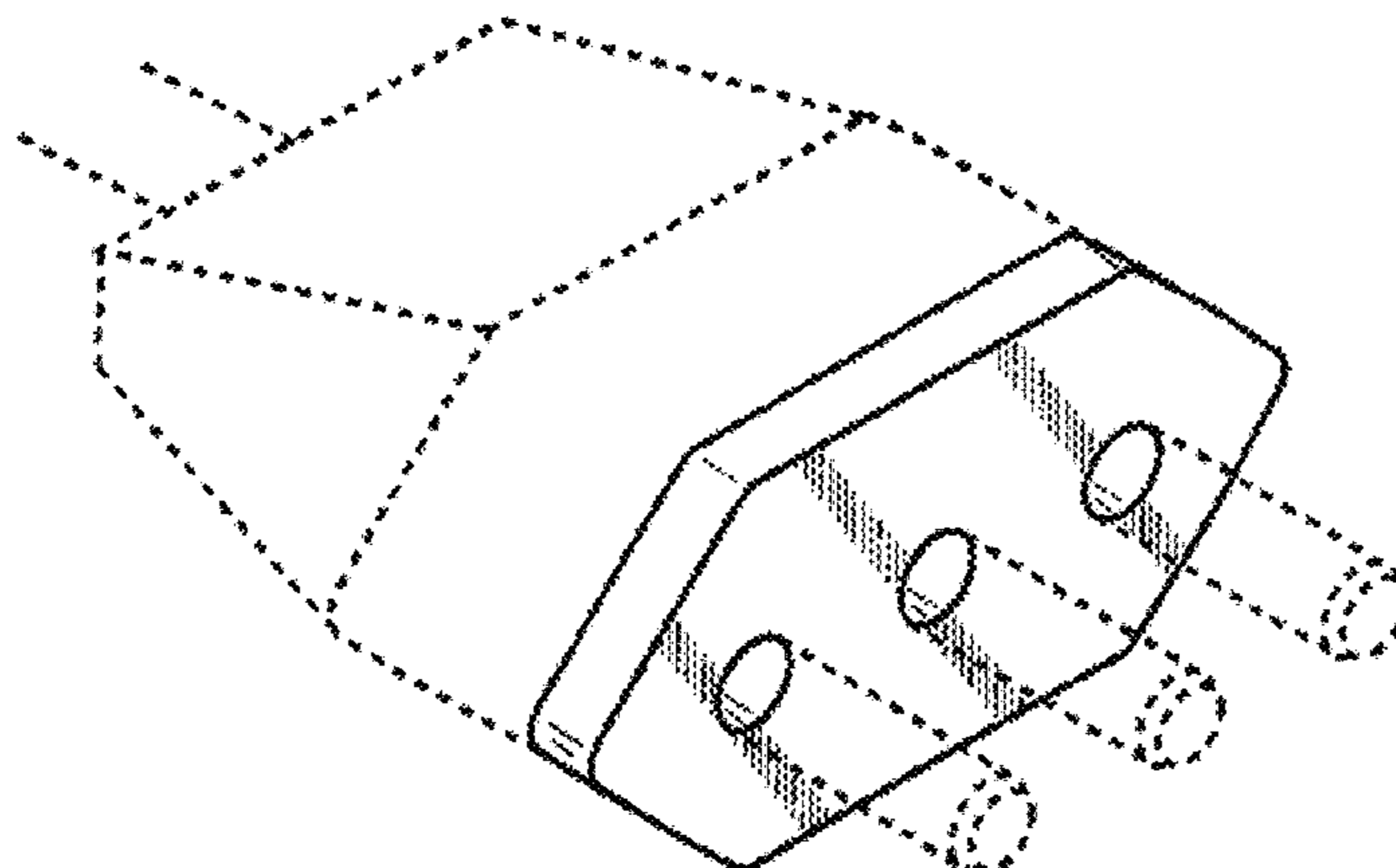


Fig. 1

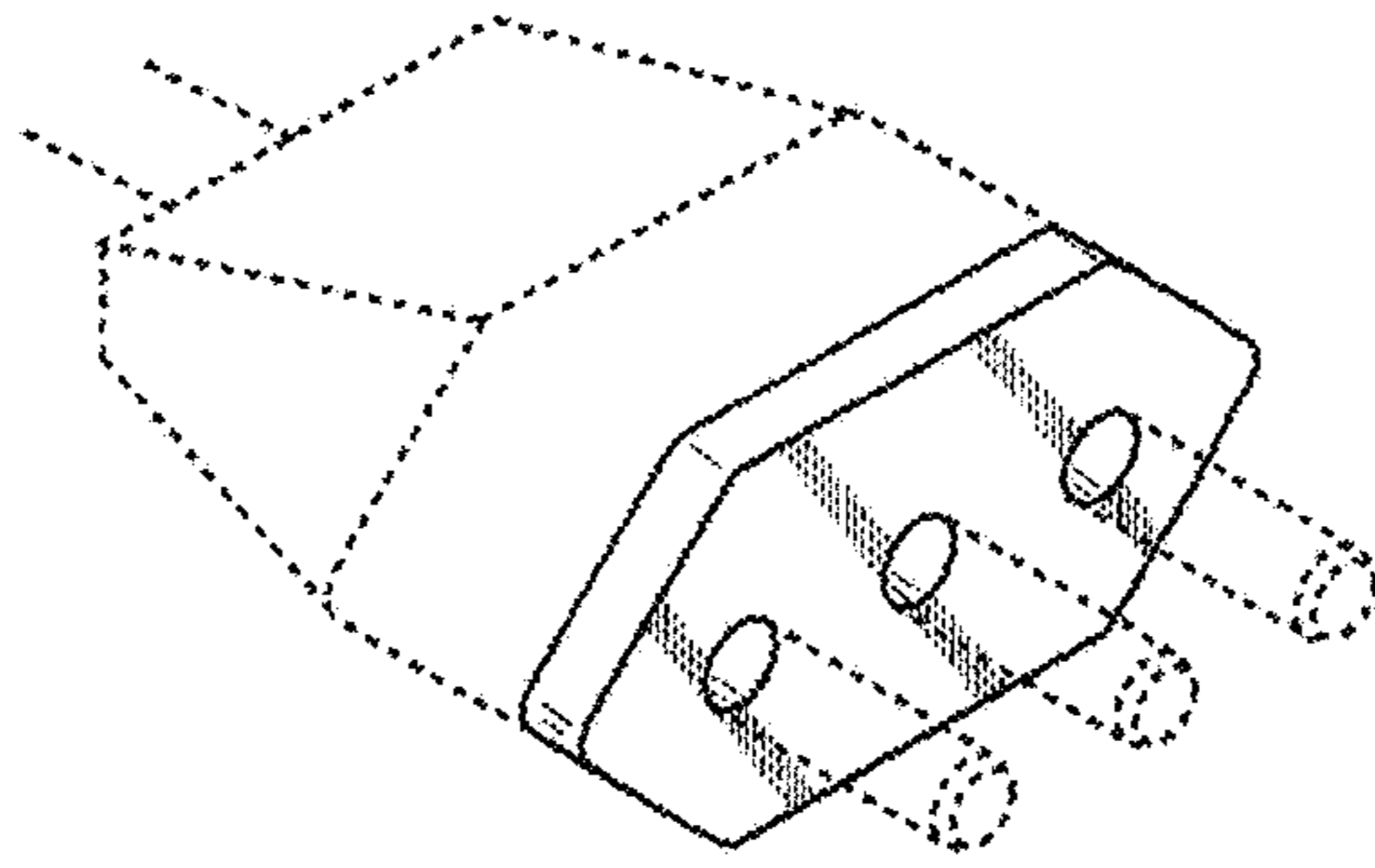


Fig. 2

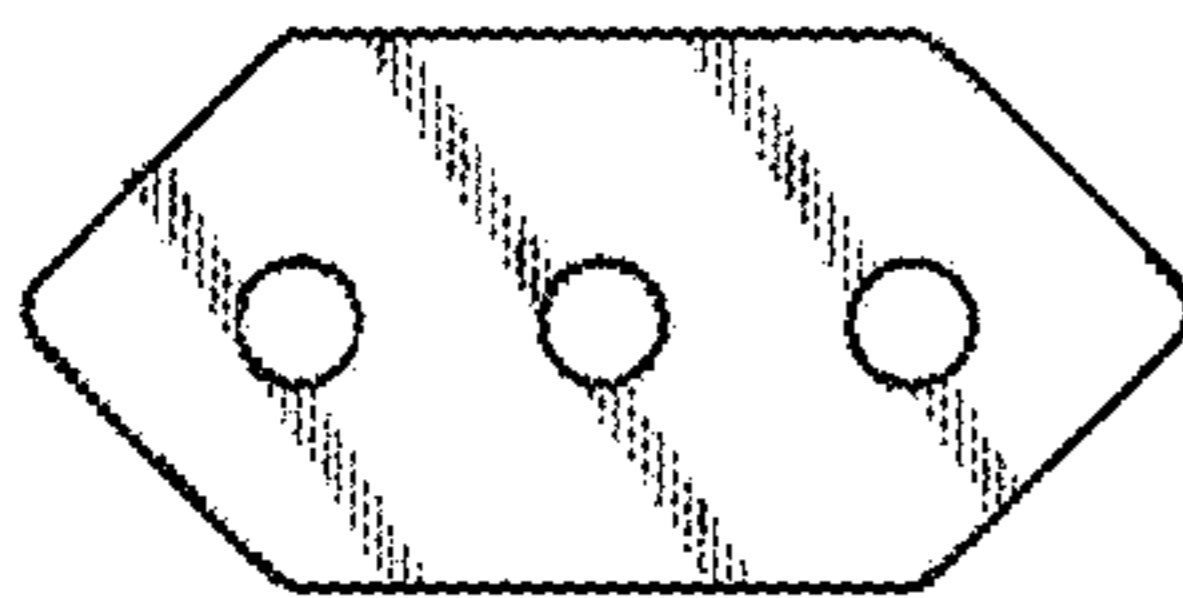


Fig. 3



Fig. 4



Fig. 5

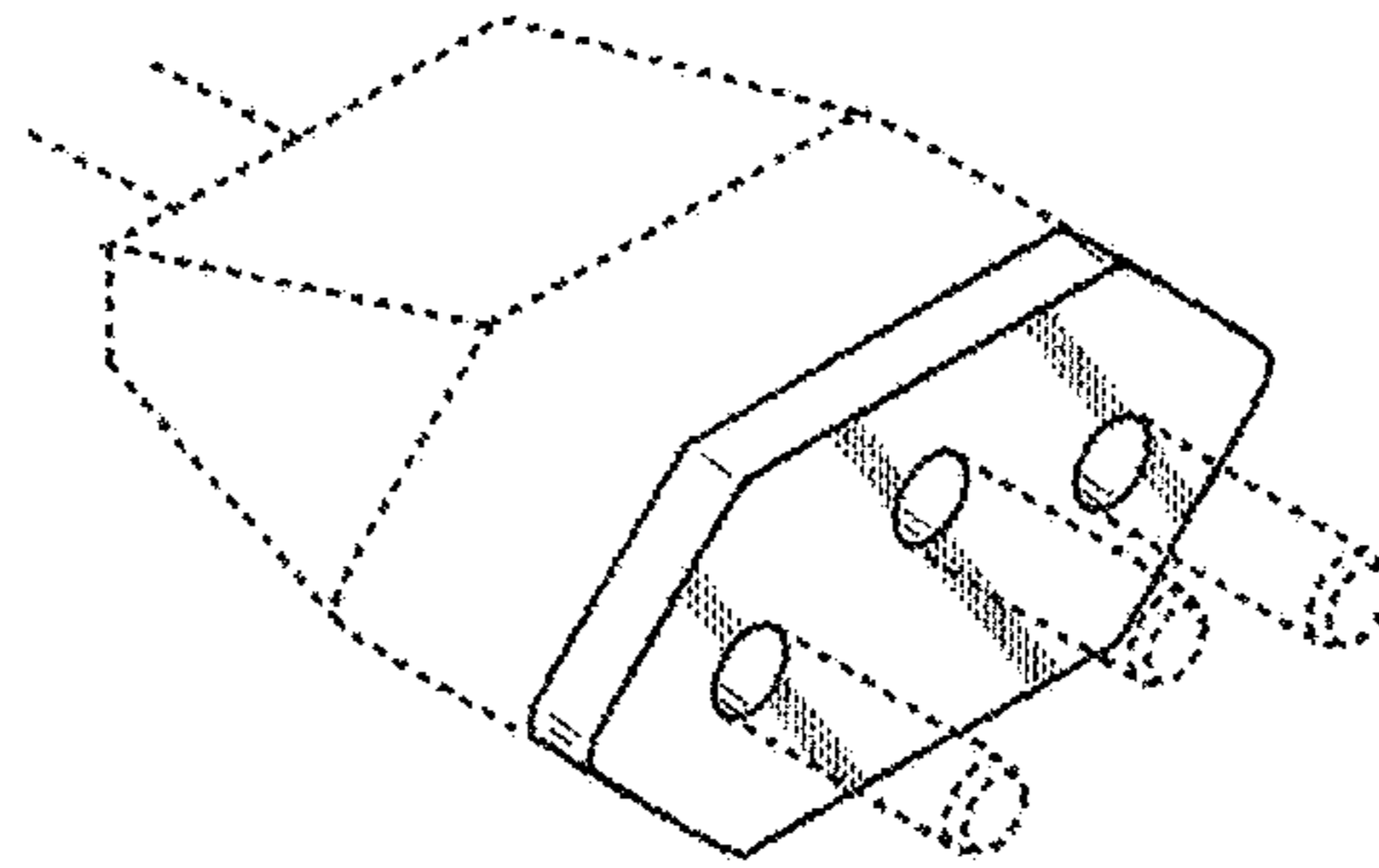


Fig. 6

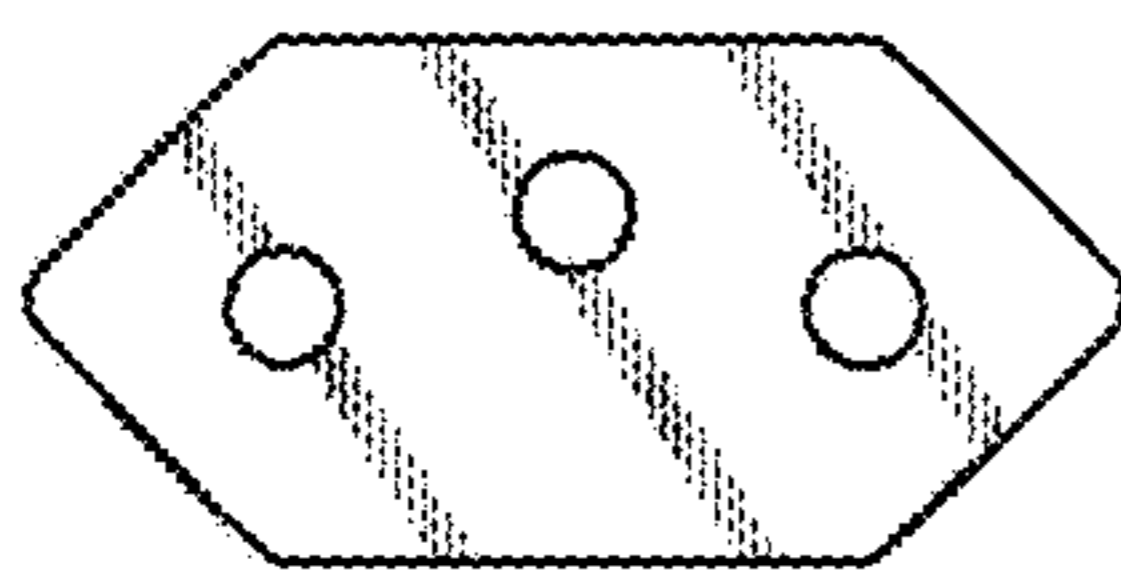


Fig. 7



Fig. 8

