



US00D826178S

(12) **United States Design Patent** (10) **Patent No.:** **US D826,178 S**
Ridl (45) **Date of Patent:** **** Aug. 21, 2018**

(54) **CABLE CLAMP**

(71) Applicant: **Mark Alan Ridl**, Hoopeston, IL (US)

(72) Inventor: **Mark Alan Ridl**, Hoopeston, IL (US)

(**) Term: **15 Years**

(21) Appl. No.: **29/608,403**

(22) Filed: **Jun. 21, 2017**

(51) **LOC (11) Cl.** **13-03**

(52) **U.S. Cl.**

USPC **D13/154**; D8/396; D13/184

(58) **Field of Classification Search**

USPC D13/103, 118, 123, 133, 148, 149, 151,
D13/153, 154, 173, 184, 199; D8/349,
D8/356, 360.1, 382, 383, 394, 395, 396
CPC B65D 45/00; F16B 39/24; F16G 11/00;
F16G 11/10; F16L 3/10; F16L 3/12; F16L
13/22; G02B 6/00; G02B 6/44; H01R
13/00; H01R 13/58; H01R 4/38; H01R
4/50; H02B 1/40; H02G 1/02; H02G
3/04; H02G 3/08
See application file for complete search history.

(56) **References Cited**

U.S. PATENT DOCUMENTS

D28,196 S * 1/1898 Dunn D8/499
2,174,624 A * 10/1939 Donald F16G 11/106
403/391
2,292,746 A * 8/1942 Donald F16G 11/106
24/134 P
D307,240 S * 4/1990 Baker D8/394
D419,056 S * 1/2000 Brorsson D13/154

D474,653 S * 5/2003 Stewart D7/401.2
D613,597 S * 4/2010 Wu D8/499
D701,840 S * 4/2014 Kazakia D13/155
D732,933 S * 6/2015 Jansen D8/356
D752,955 S * 4/2016 Rowan D8/356
D758,824 S * 6/2016 Kelleghan D8/105
2002/0070317 A1 * 6/2002 Goodman E21B 17/1035
248/74.1
2006/0260289 A1 * 11/2006 Preusker B60C 27/06
59/84

* cited by examiner

Primary Examiner — Angela J Lee

Assistant Examiner — Shawn T Gingrich

(74) *Attorney, Agent, or Firm* — Dunlap Bennett &
Ludwig PLLC

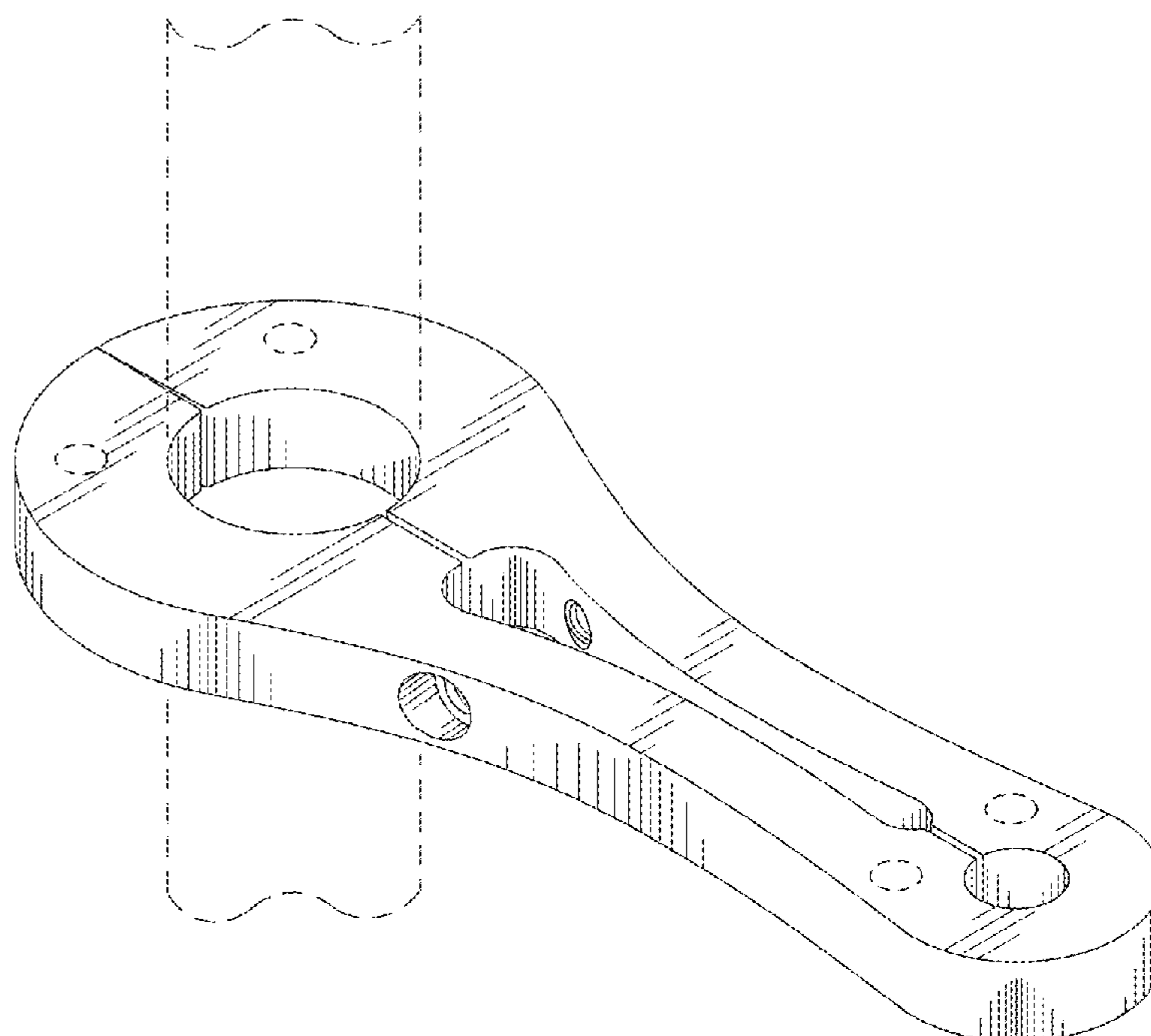
(57) **CLAIM**

The ornamental design for a cable clamp, as shown and described.

DESCRIPTION

FIG. 1 is a top front perspective view of a cable clamp;
FIG. 2 is a top elevation view thereof, with the bottom
elevation view being a mirror image thereof;
FIG. 3 is a front elevation view thereof;
FIG. 4 is a rear elevation view thereof;
FIG. 5 is a right side elevation view thereof; and,
FIG. 6 is a left side elevation view thereof.
The broken lines shown in the drawings depict weight
reducing openings and a cable that form no part of the
claimed invention.

1 Claim, 2 Drawing Sheets



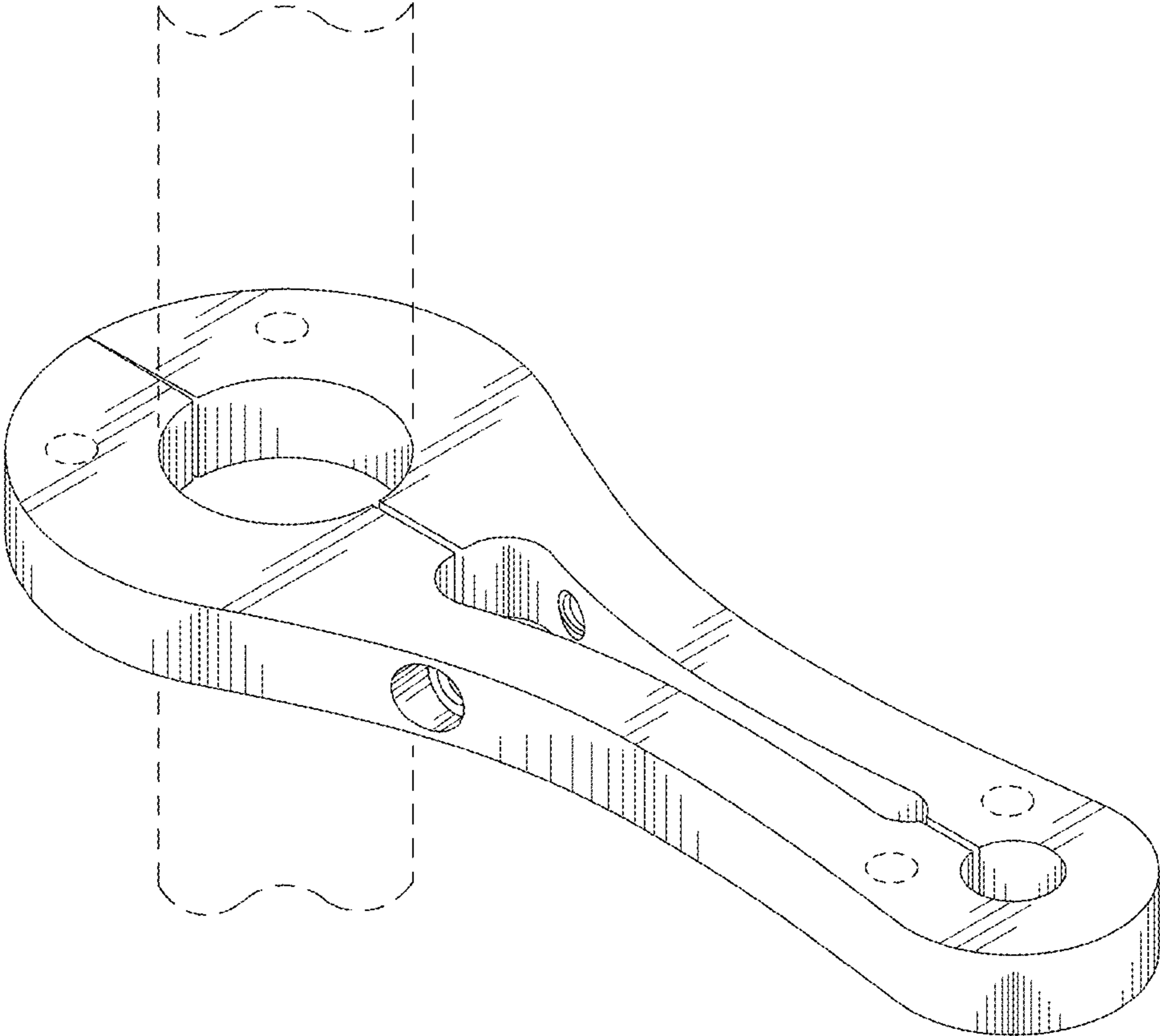


FIG. 1

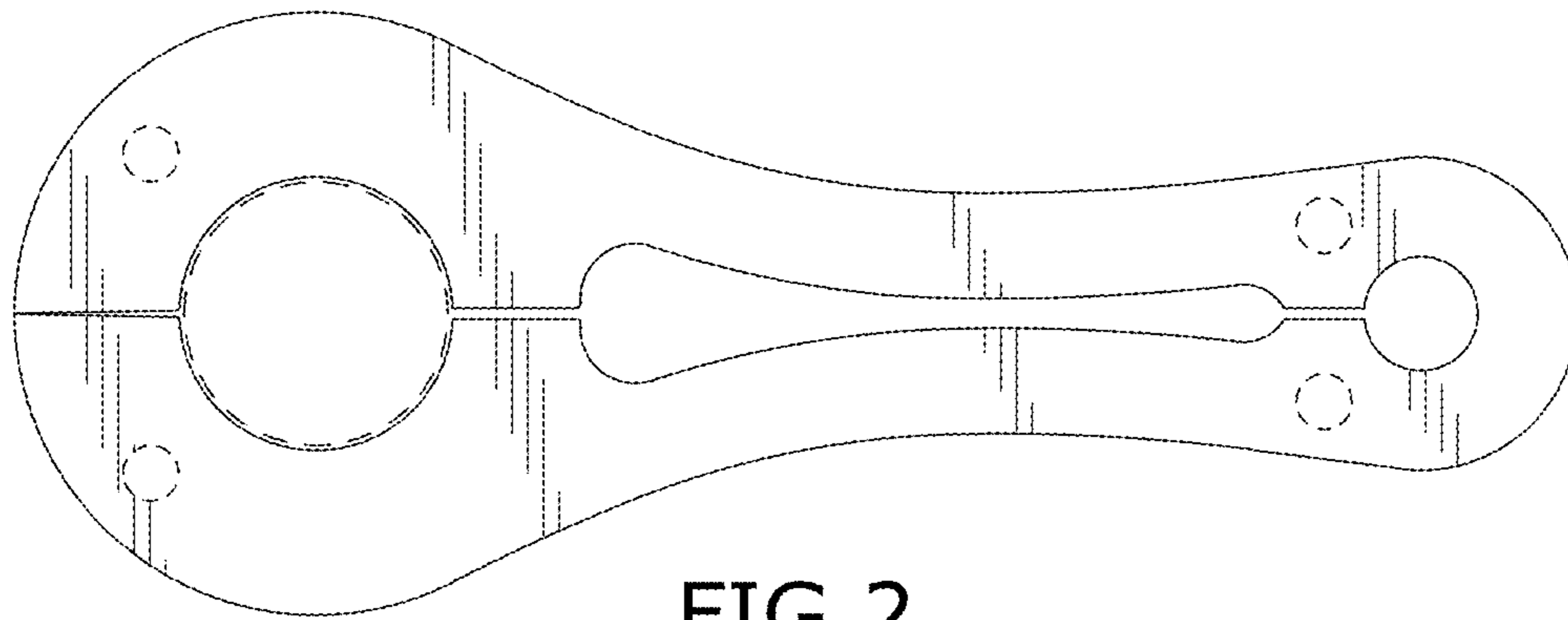


FIG. 2

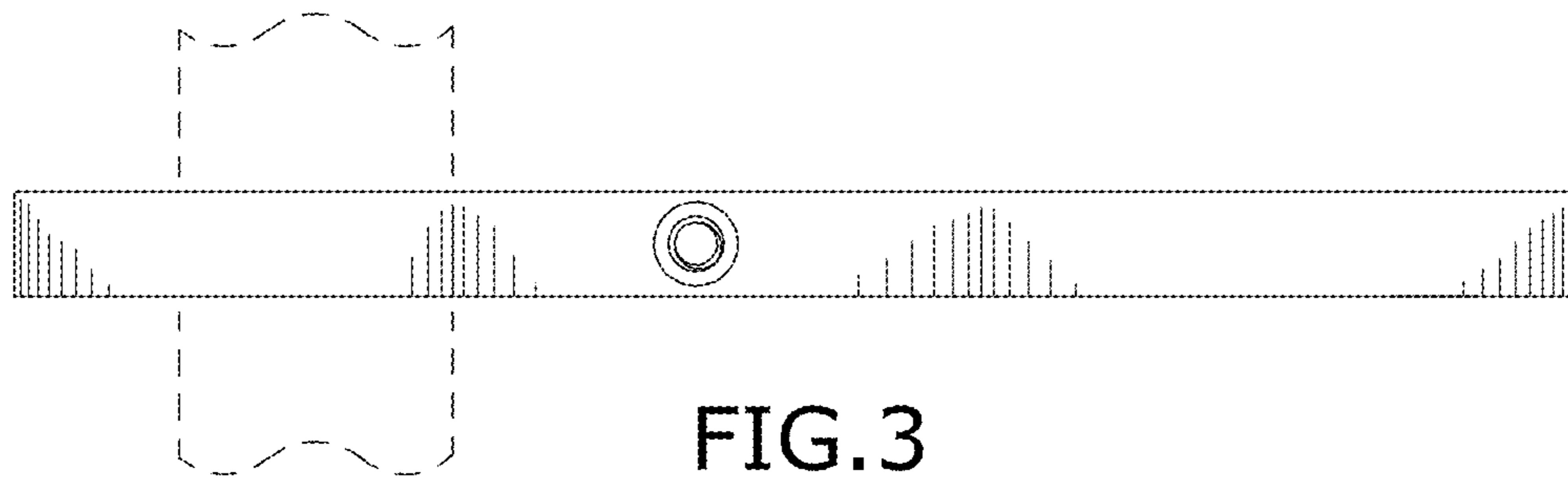


FIG. 3

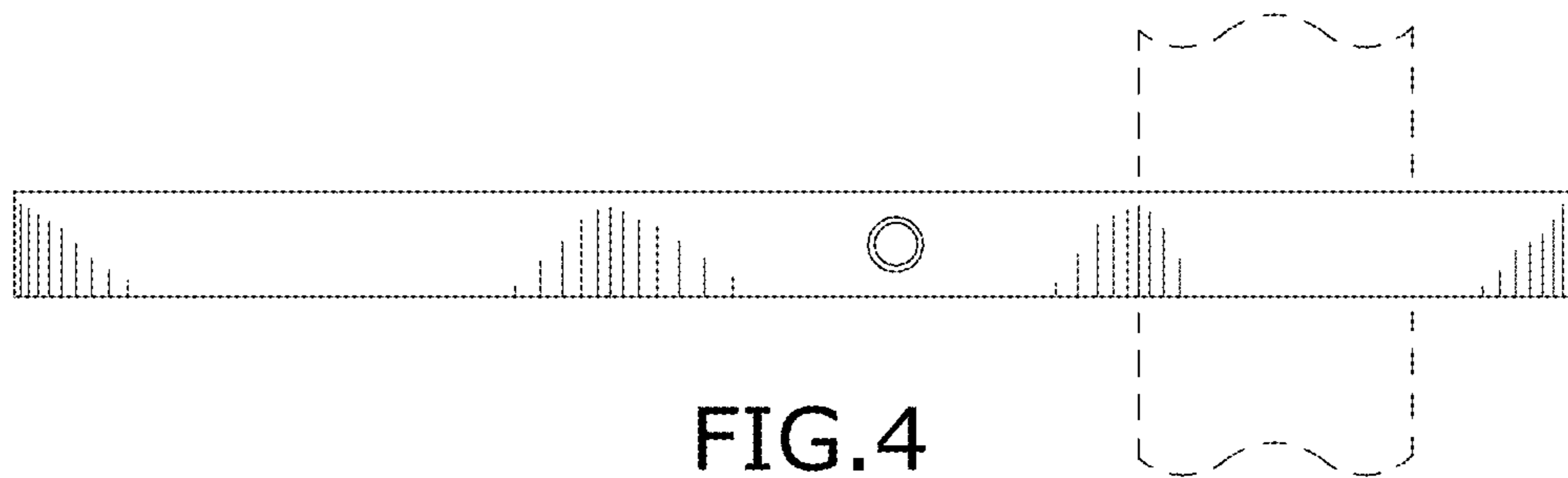


FIG. 4

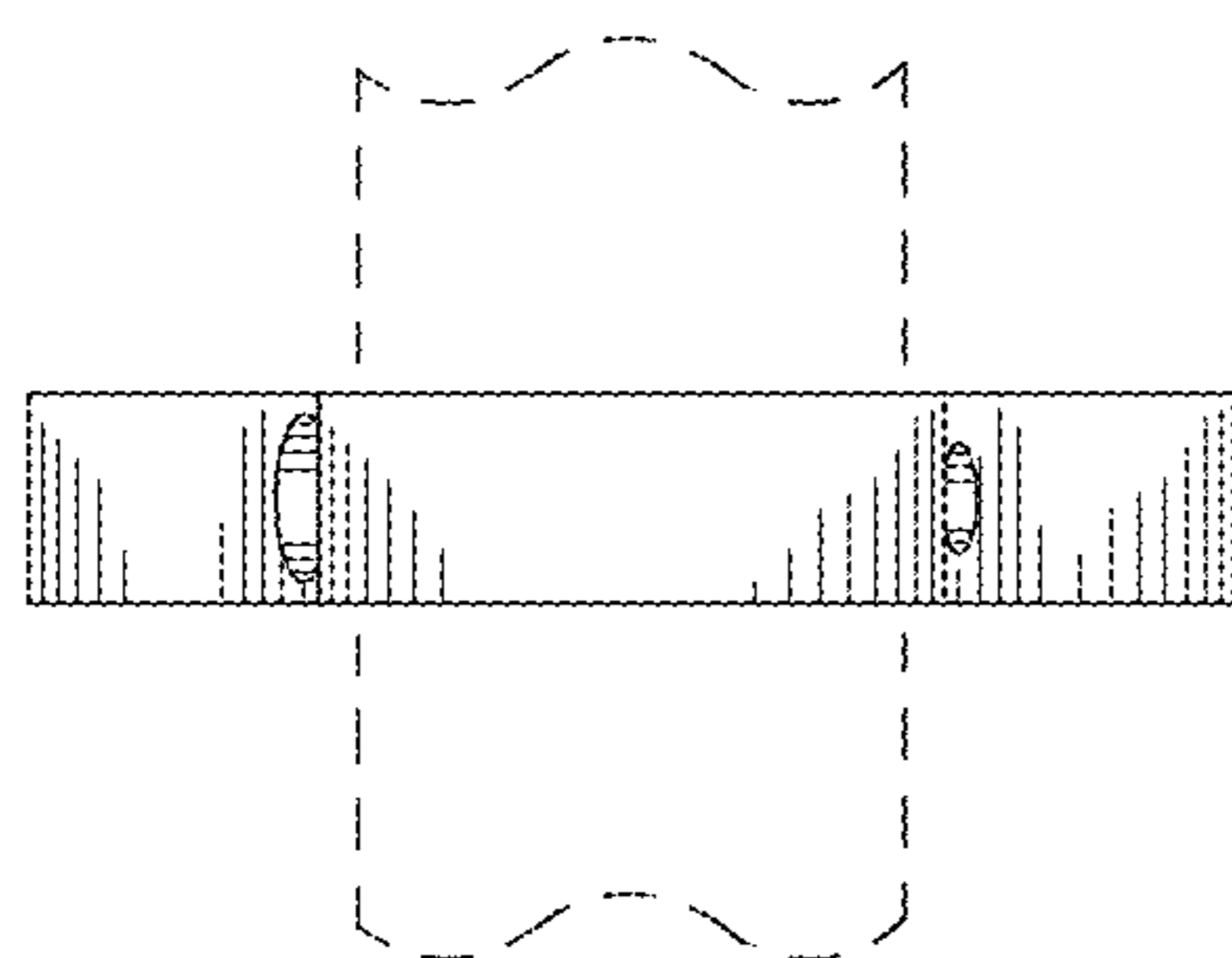


FIG. 5

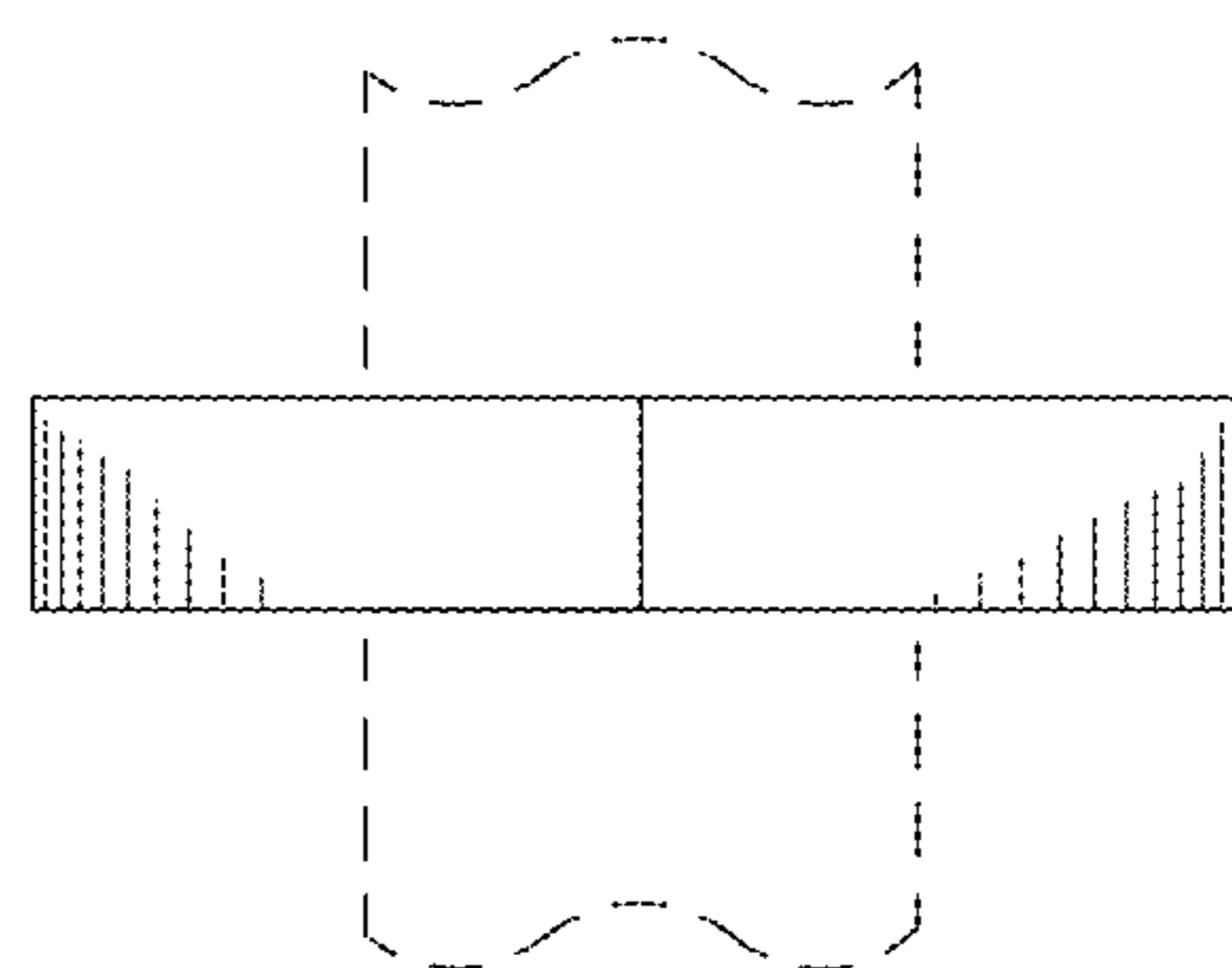


FIG. 6