



US00D826176S

(12) **United States Design Patent**
Yuda et al.

(10) **Patent No.:** **US D826,176 S**
(45) **Date of Patent:** **** Aug. 21, 2018**

- (54) **OPTICAL TRANSCEIVER**
- (71) Applicant: **SUMITOMO ELECTRIC INDUSTRIES, LTD.**, Osaka-shi, Osaka (JP)
- (72) Inventors: **Shuitsu Yuda**, Osaka (JP); **Yuichi Kitajima**, Osaka (JP)
- (73) Assignee: **SUMITOMO ELECTRIC INDUSTRIES, LTD.**, Osaka-shi, Osaka (JP)
- (**) Term: **15 Years**
- (21) Appl. No.: **29/571,478**
- (22) Filed: **Jul. 19, 2016**
- (30) **Foreign Application Priority Data**

- Jan. 27, 2016 (JP) 2016-001606
- (51) **LOC (11) Cl.** **13-03**
- (52) **U.S. Cl.**
USPC **D13/154**
- (58) **Field of Classification Search**
USPC D13/123, 128, 133, 146, 147, 148, 154, D13/155, 184, 199
CPC G02B 6/32; G02B 6/3893; G02B 6/42; G02B 6/4261; G02B 6/4246; G02B 6/4249; G02B 6/4257; G02B 6/4269; G02B 6/4272; G02B 6/4278; G02B 6/428; G02B 6/4292; G02B 6/36; H04B 10/00; H04B 10/02; H05K 3/34; H05K 9/00

See application file for complete search history.

(56) **References Cited**

U.S. PATENT DOCUMENTS

- D485,238 S * 1/2004 Hwang D13/123
- D494,930 S * 8/2004 Ishigami D13/123
- 7,048,452 B2 * 5/2006 Malagrino, Jr. G02B 6/4201 385/92

- 8,206,043 B2 * 6/2012 Thirugnanam G02B 6/4246 385/53
- 8,226,305 B2 7/2012 Thirugnanam et al.
- 2006/0239622 A1 * 10/2006 Goffhe G02B 6/4246 385/92
- 2009/0269077 A1 * 10/2009 Sone H04B 10/40 398/135

(Continued)

OTHER PUBLICATIONS

U.S. Appl. No. 29/571,477, filed Jul. 19, 2016, Yuda et al.

Primary Examiner — Daniel Bui

(74) *Attorney, Agent, or Firm* — Drinker Biddle & Reath LLP

(57) **CLAIM**

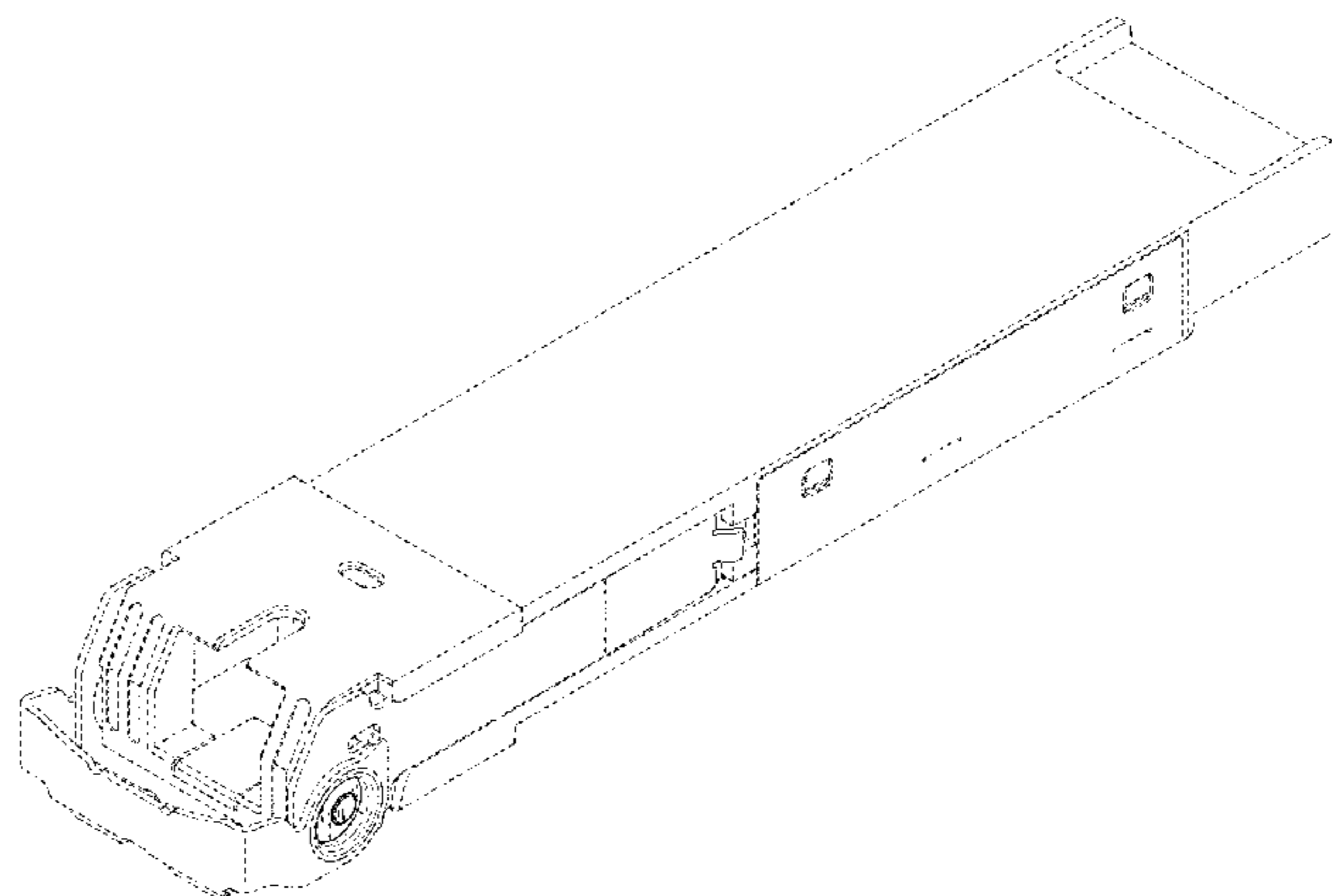
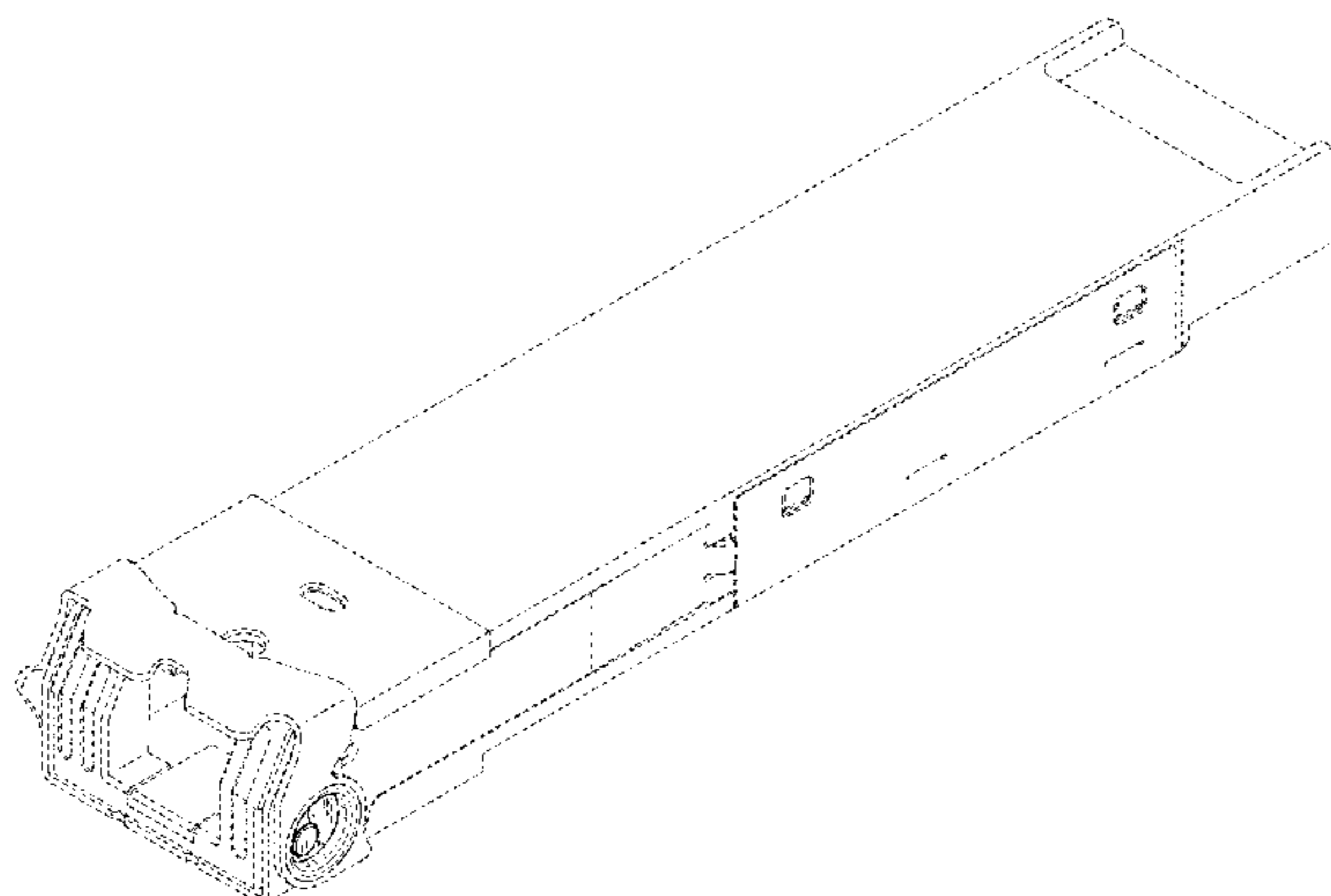
The ornamental design for an optical transceiver, as shown and described.

DESCRIPTION

FIG. 1 is a top, front and left side perspective view of an optical transceiver showing our new design;
 FIG. 2 is a front view thereof;
 FIG. 3 is a rear view thereof;
 FIG. 4 is a top plan view thereof;
 FIG. 5 is a bottom plan view thereof;
 FIG. 6 is an enlarged right side view thereof;
 FIG. 7 is an enlarged left side view thereof;
 FIG. 8 is an enlarged view of area 8 of FIG. 2;
 FIG. 9 is cross-sectional view taken along line 9-9 in FIG. 8;
 FIG. 10 is a top, front and left side perspective view thereof, in use condition; and,
 FIG. 11 is a top, front and left side perspective view thereof, in an exploded condition.

The features shown in broken lines in the drawings depict environmental subject matter only and form no part of the claimed design. The dash-dotted lines denote the boundary of the claim and form no part of the claimed design.

1 Claim, 11 Drawing Sheets



(56)

References Cited

U.S. PATENT DOCUMENTS

2010/0202781 A1* 8/2010 Hudgins G02B 6/4246
398/135
2011/0222822 A1* 9/2011 Yoshikawa G02B 6/4246
385/92
2012/0301152 A1* 11/2012 Edwards G02B 6/4201
398/135
2015/0338588 A1* 11/2015 Matsui G02B 6/4261
385/92
2016/0246019 A1* 8/2016 Ishii G02B 6/4272

* cited by examiner

FIG. 1

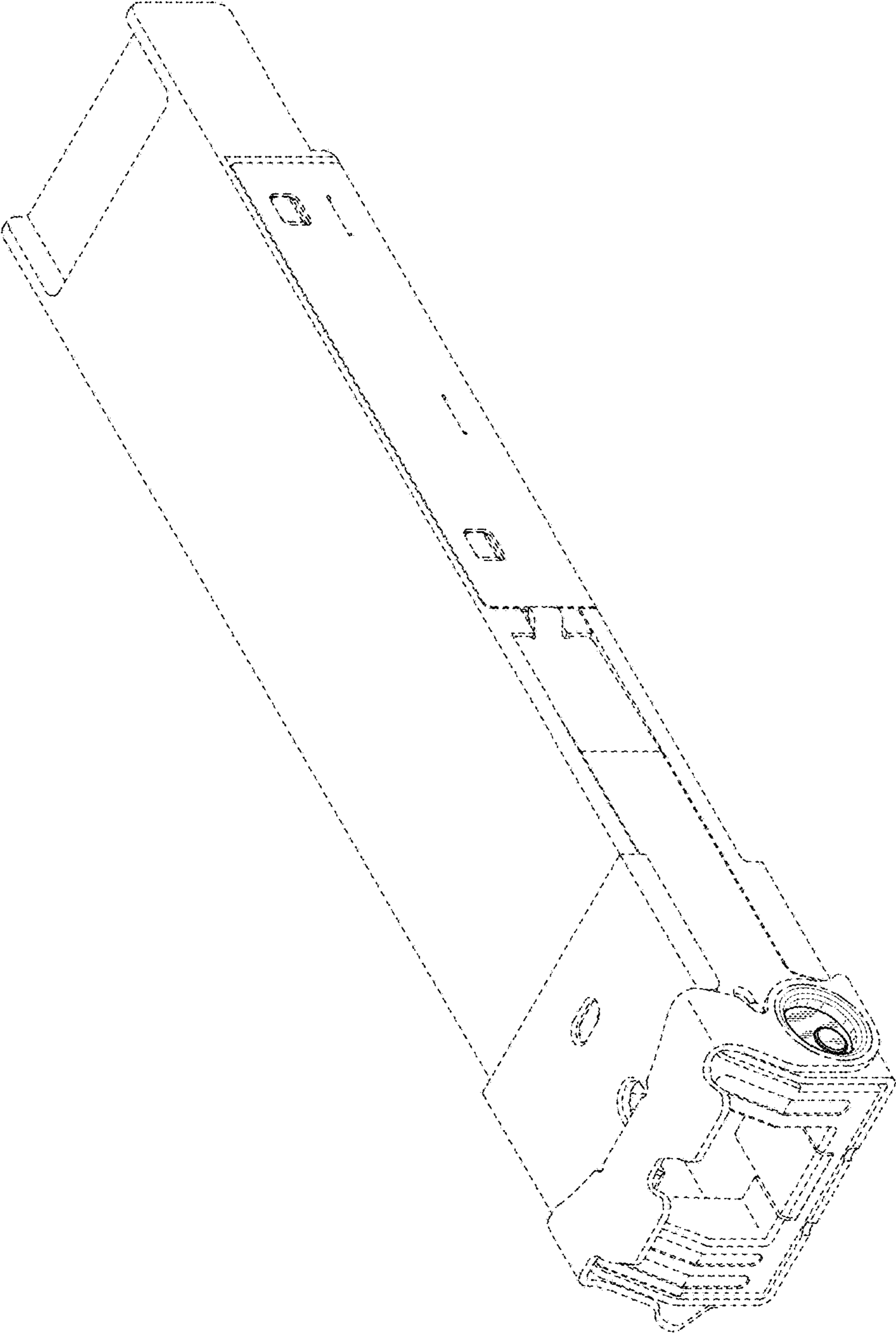


FIG. 2

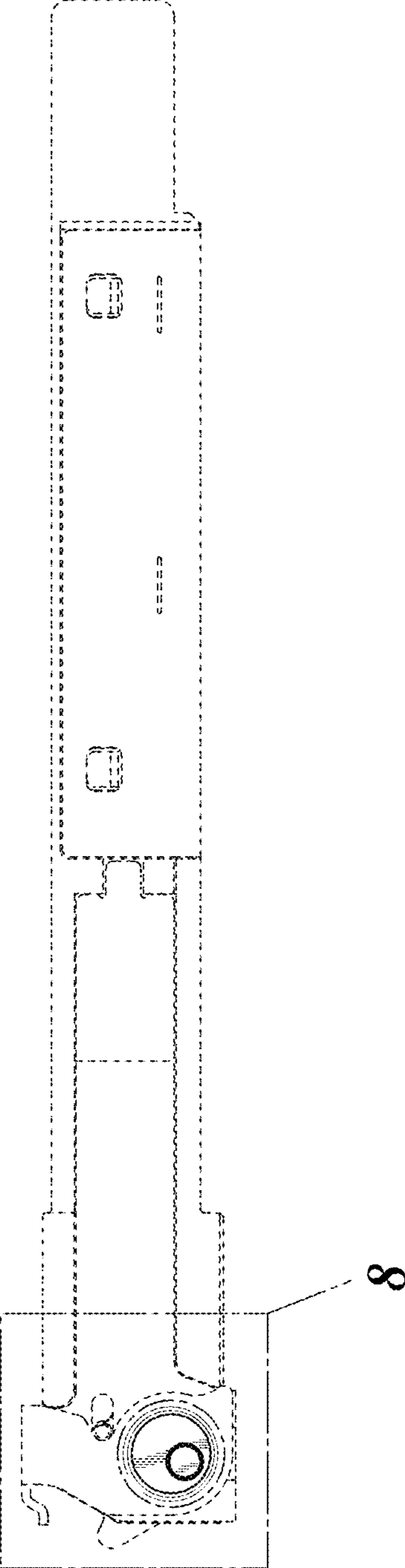


FIG. 3

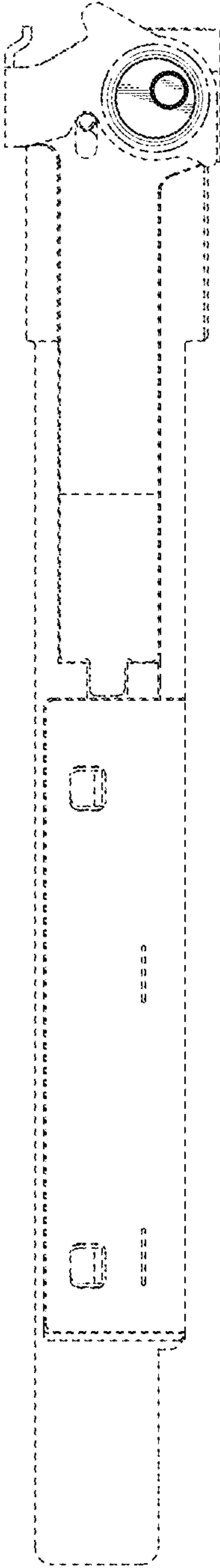


FIG. 4

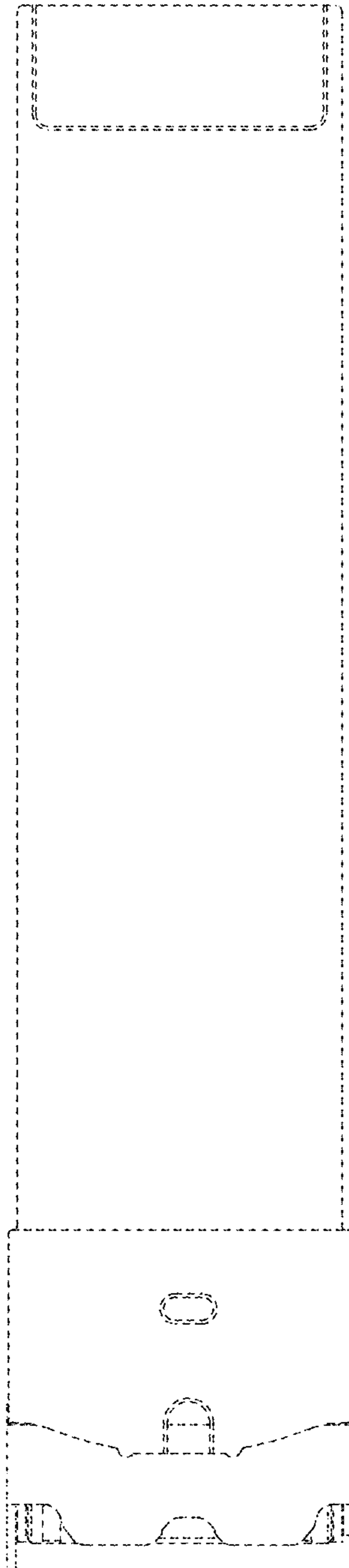


FIG. 5

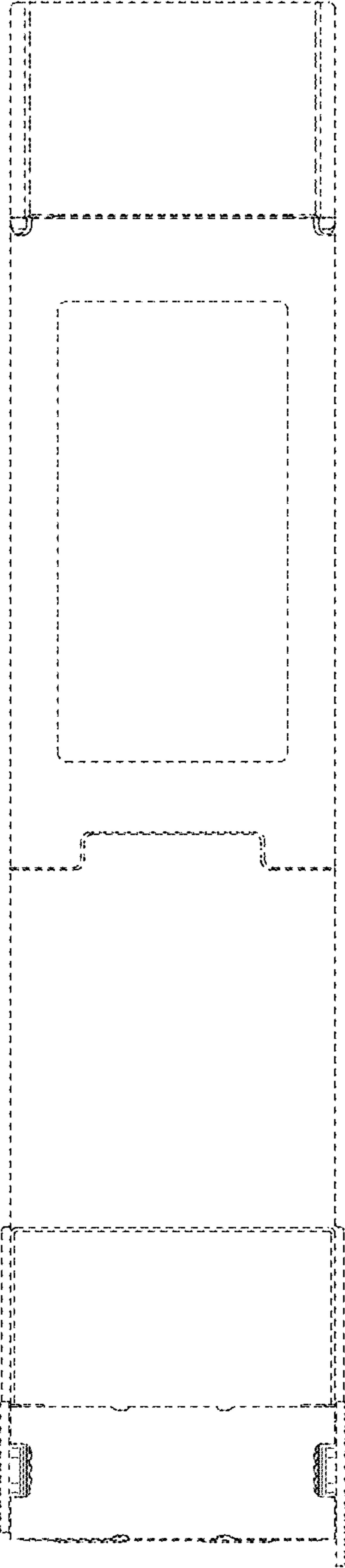


FIG. 6

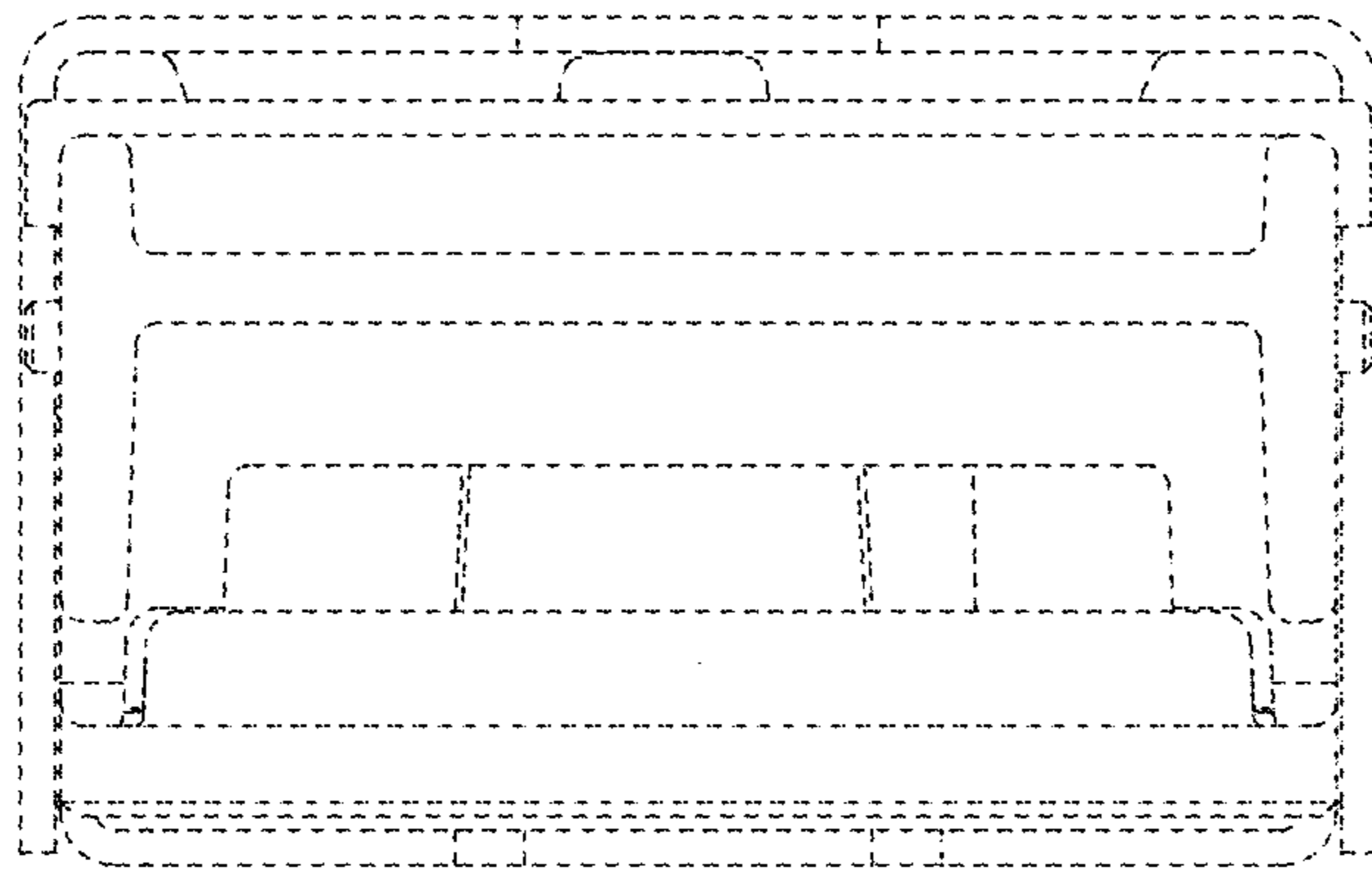


FIG. 7

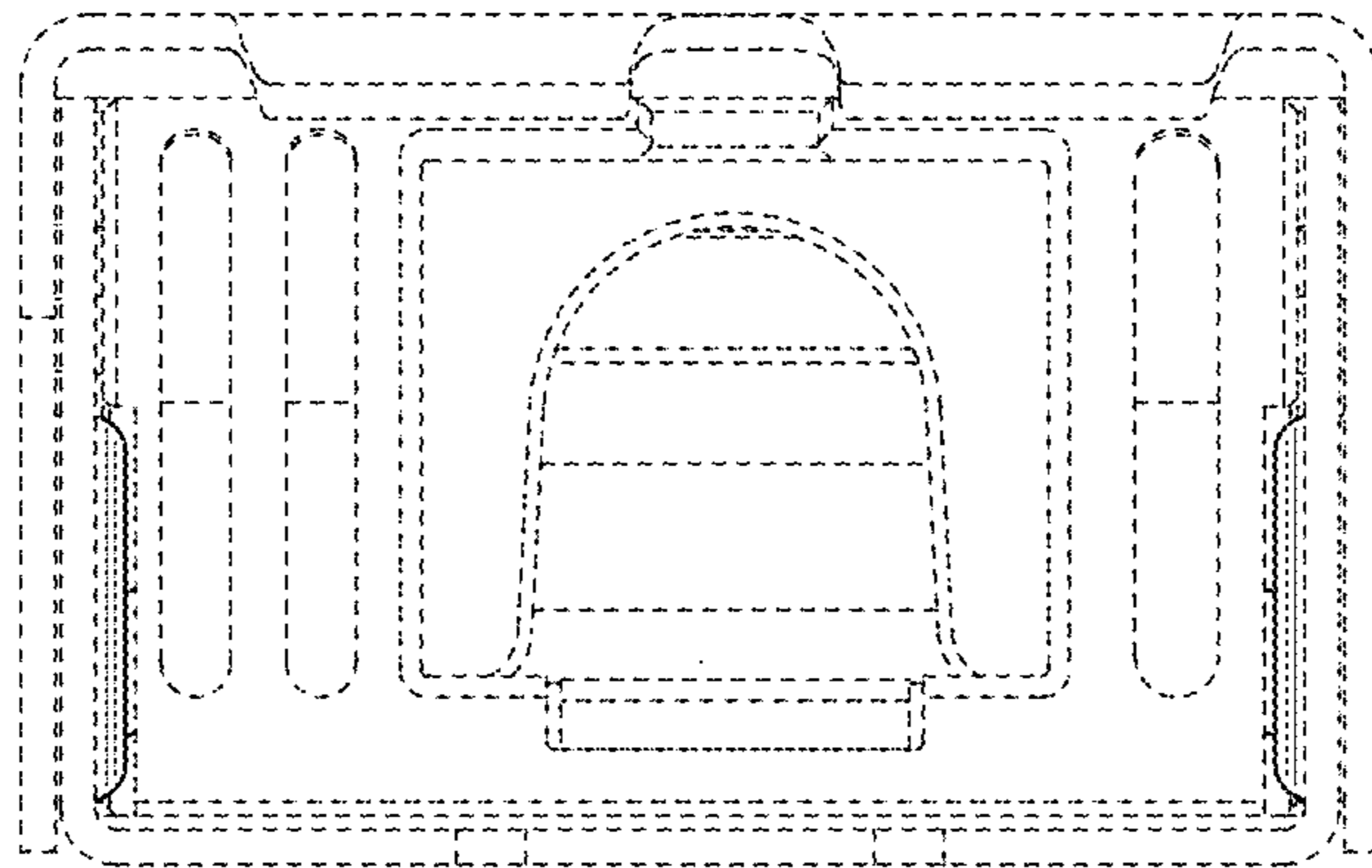


FIG. 8

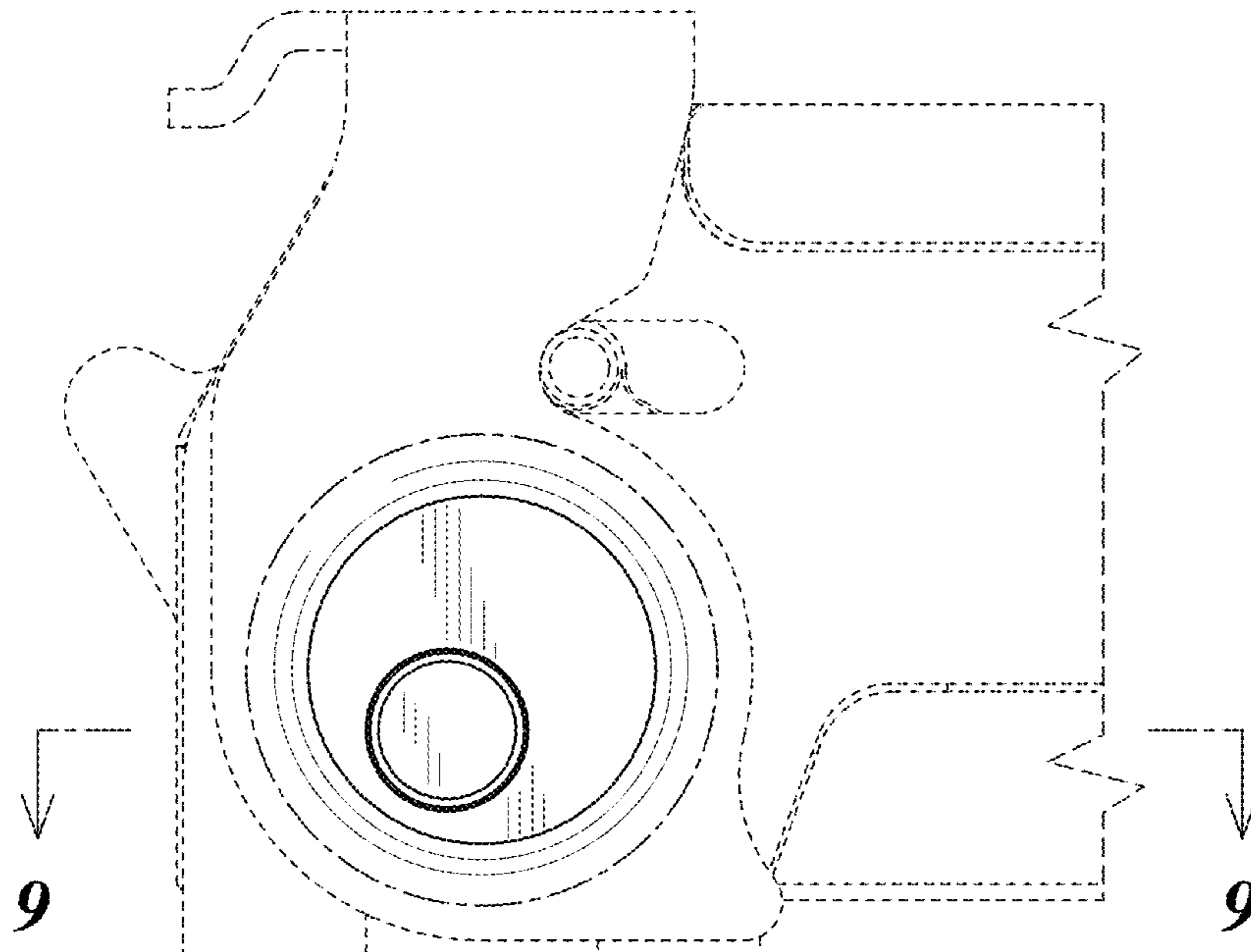


FIG. 9

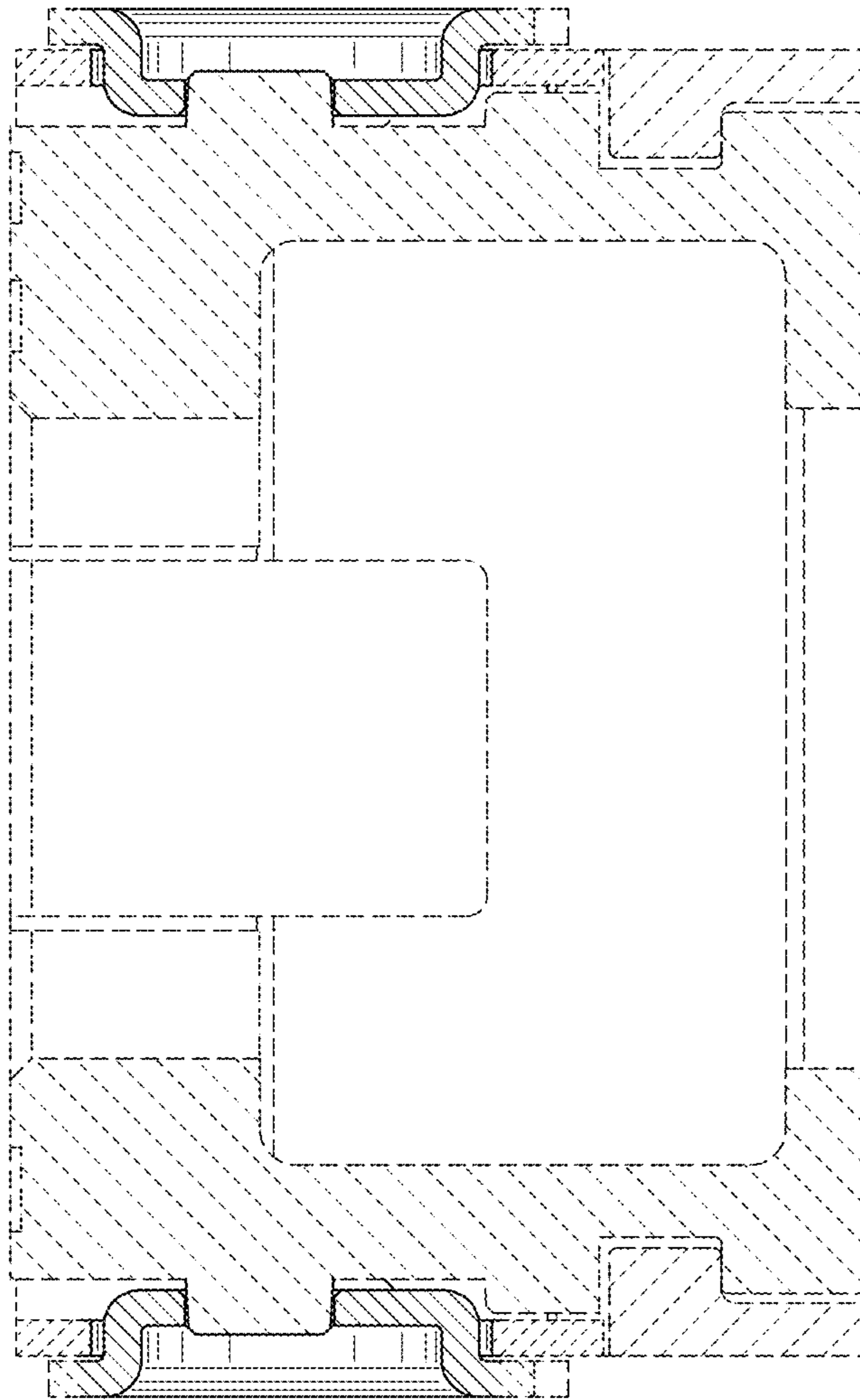


FIG. 10

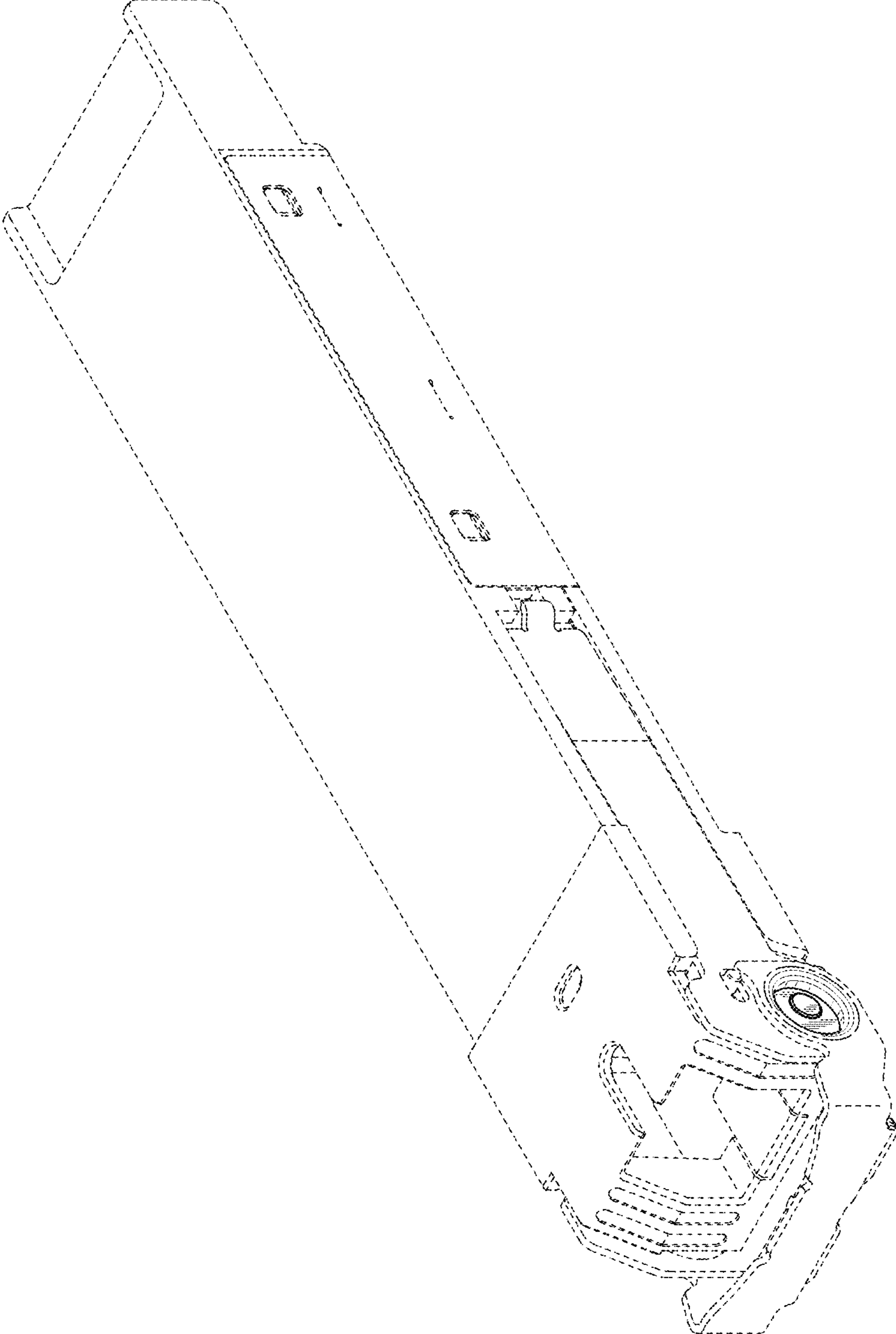


FIG. 11

