



US00D826175S

(12) **United States Design Patent**  
**Yuda et al.**

(10) **Patent No.:** **US D826,175 S**  
(45) **Date of Patent:** **\*\* Aug. 21, 2018**

(54) **BAIL FOR OPTICAL TRANSCEIVER**

(71) Applicant: **SUMITOMO ELECTRIC INDUSTRIES, LTD.**, Osaka-shi, Osaka (JP)

(72) Inventors: **Shuitsu Yuda**, Osaka (JP); **Yuichi Kitajima**, Osaka (JP)

(73) Assignee: **SUMITOMO ELECTRIC INDUSTRIES, LTD.**, Osaka-shi, Osaka (JP)

(\*\*) Term: **15 Years**

(21) Appl. No.: **29/571,477**

(22) Filed: **Jul. 19, 2016**

(30) **Foreign Application Priority Data**

Jan. 27, 2016 (JP) ..... 2016-001605

(51) **LOC (11) Cl.** ..... **13-03**

(52) **U.S. Cl.**  
USPC ..... **D13/154**

(58) **Field of Classification Search**  
USPC ..... D13/123, 128, 133, 146, 147, 148, 154, D13/155, 184, 199  
CPC ..... G02B 6/32; G02B 6/3893; G02B 6/42; G02B 6/4261; G02B 6/4246; G02B 6/4249; G02B 6/4257; G02B 6/4269; G02B 6/4272; G02B 6/4278; G02B 6/428; G02B 6/4292; G02B 6/36; H04B 10/00; H04B 10/02; H05K 3/34; H05K 9/00

See application file for complete search history.

(56) **References Cited**

**U.S. PATENT DOCUMENTS**

D485,238 S \* 1/2004 Hwang ..... D13/123  
D494,930 S \* 8/2004 Ishigami ..... D13/123  
7,048,452 B2 \* 5/2006 Malagrino, Jr. .... G02B 6/4201 385/92

8,206,043 B2 \* 6/2012 Thirugnanam ..... G02B 6/4246 385/53  
8,226,305 B2 7/2012 Thirugnanam et al.  
2006/0239622 A1 \* 10/2006 Goffhe ..... G02B 6/4246 385/92  
2009/0269077 A1 \* 10/2009 Sone ..... H04B 10/40 398/135

(Continued)

**OTHER PUBLICATIONS**

U.S. Appl. No. 29/571,478, filed Jul. 19, 2016, Yuda et al.

*Primary Examiner* — Daniel Bui

(74) *Attorney, Agent, or Firm* — Drinker Biddle & Reath LLP

(57) **CLAIM**

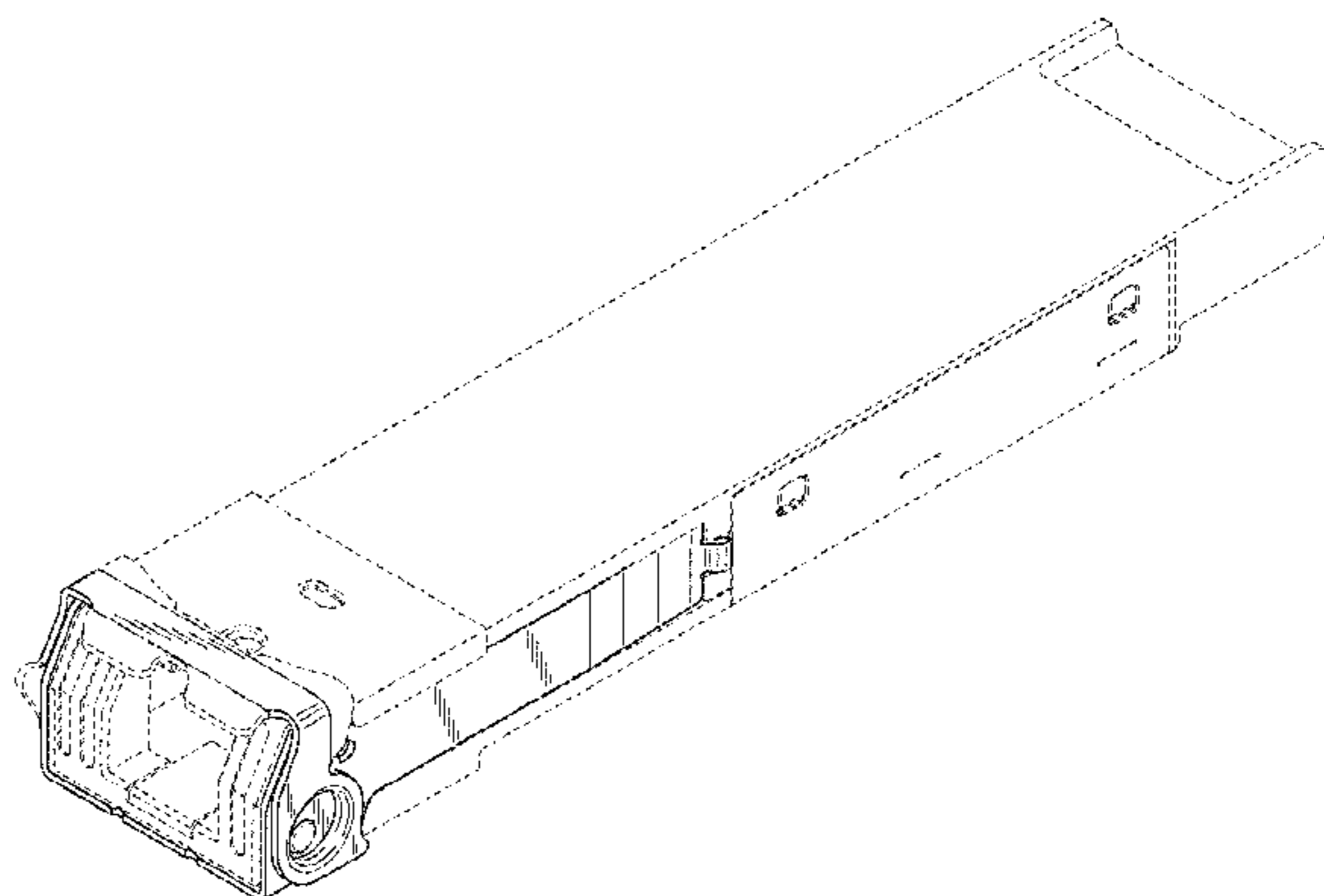
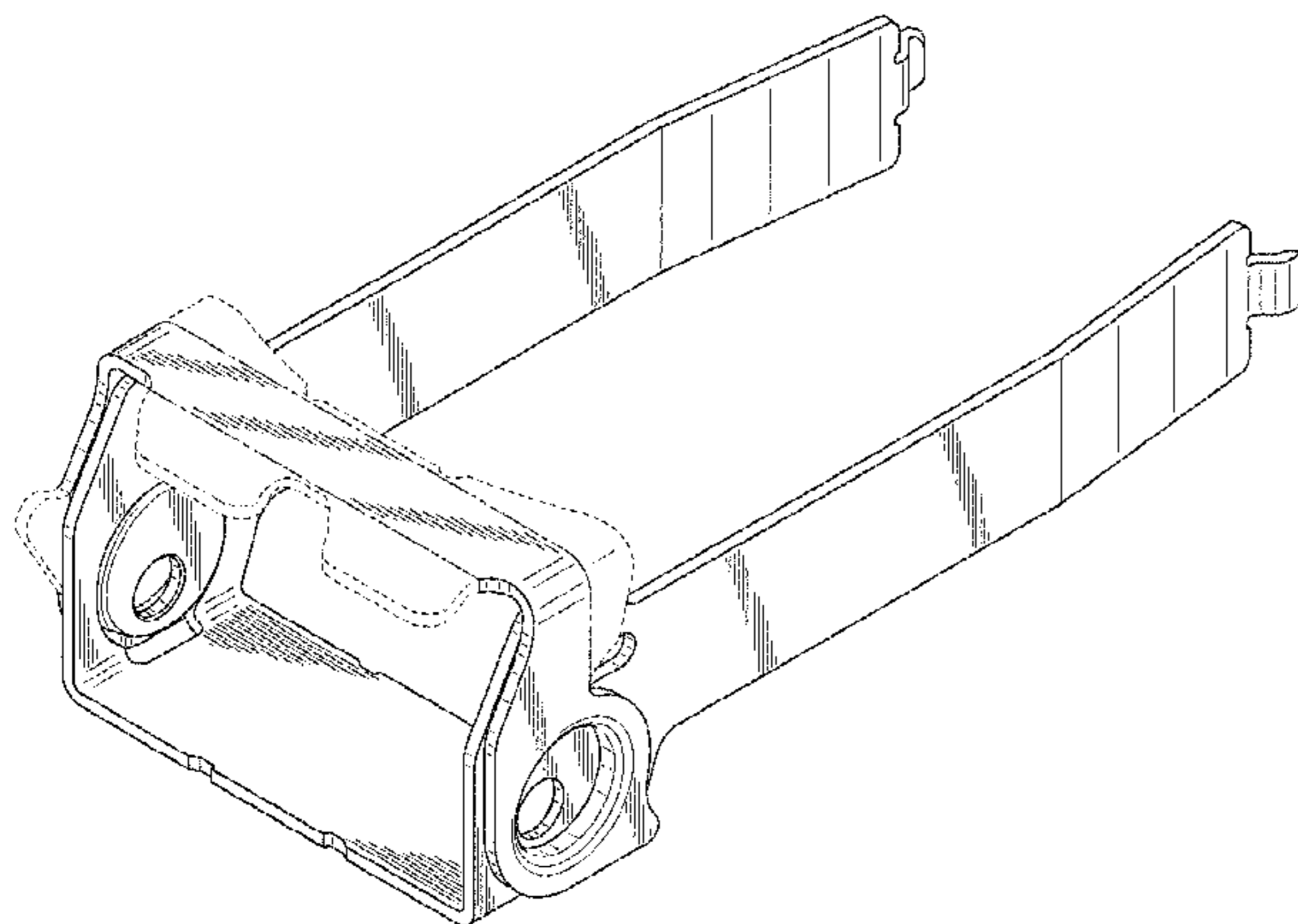
The ornamental design for a bail for optical transceiver, as shown and described.

**DESCRIPTION**

FIG. 1 is a top, front and left side perspective view of a bail for optical transceiver showing our new design;  
FIG. 2 is a front view thereof;  
FIG. 3 is a rear view thereof;  
FIG. 4 is a top plan view thereof;  
FIG. 5 is a bottom plan view thereof;  
FIG. 6 is a right side view thereof;  
FIG. 7 is a left side view thereof;  
FIG. 8 is a cross-sectional view taken along line 8-8 in FIG. 2;  
FIG. 9 is a top, front and left side perspective view thereof in use condition and on a reduced scale; and,  
FIG. 10 is another top, front and left side perspective view thereof, in use condition.

The features shown in broken lines in the drawings depict environmental subject matter only and form no part of the claimed design. The dash-dotted lines denote the boundary of the claim and form no part of the claimed design.

**1 Claim, 10 Drawing Sheets**



(56)

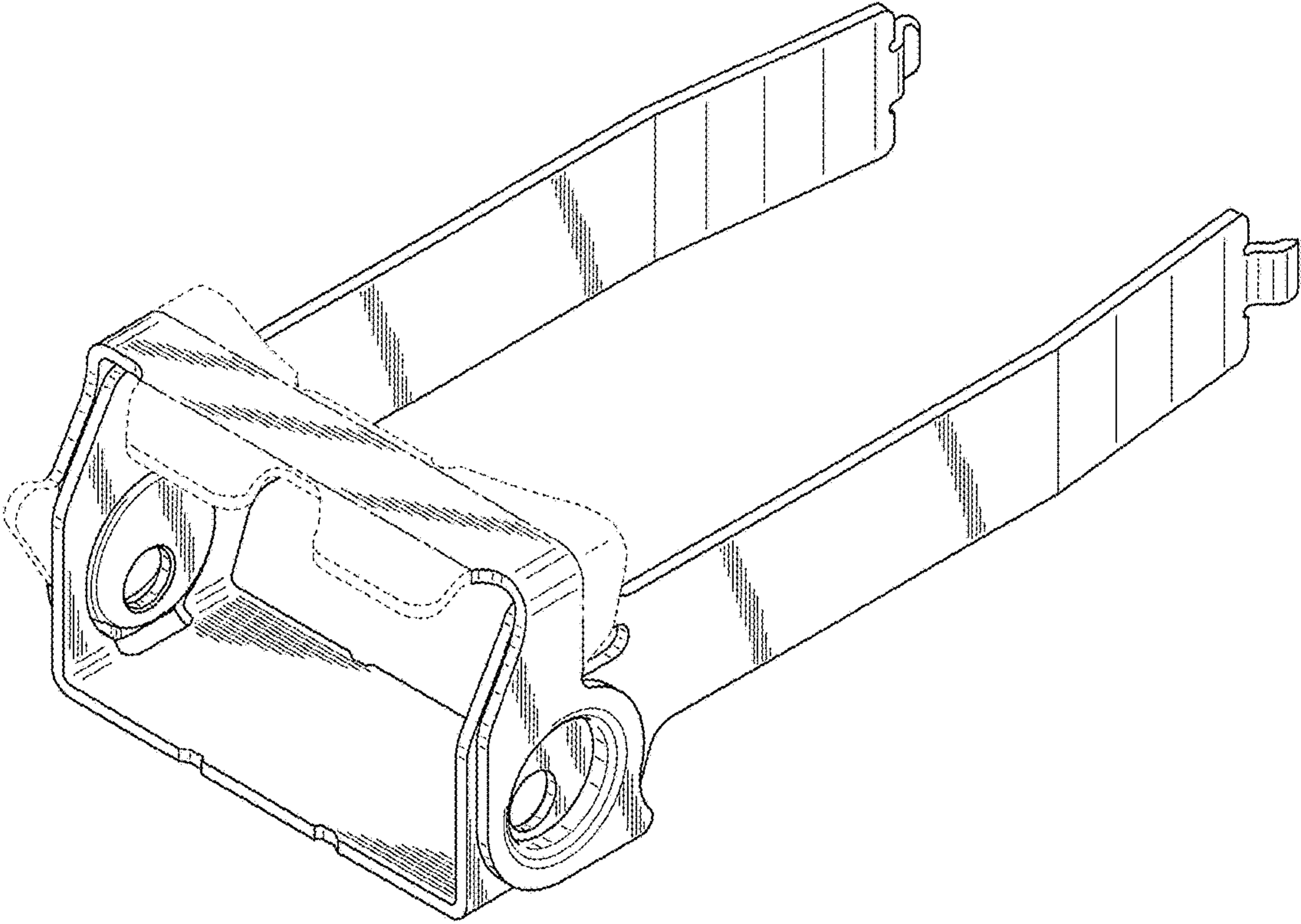
**References Cited**

U.S. PATENT DOCUMENTS

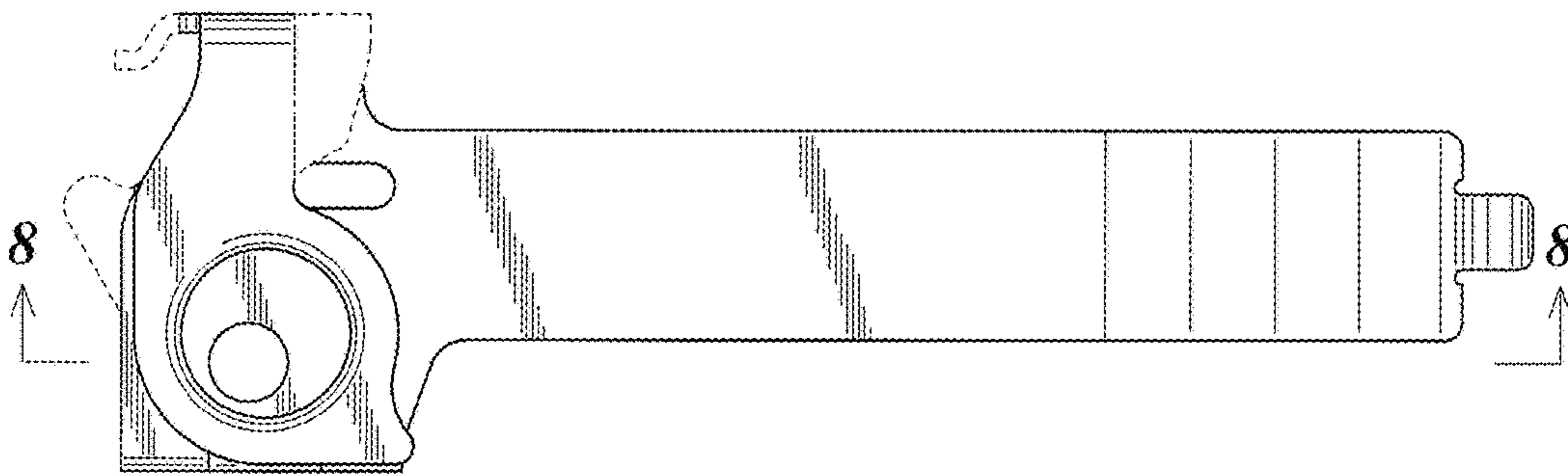
2010/0202781 A1\* 8/2010 Hudgins ..... G02B 6/4246  
398/135  
2011/0222822 A1\* 9/2011 Yoshikawa ..... G02B 6/4246  
385/92  
2012/0301152 A1\* 11/2012 Edwards ..... G02B 6/4201  
398/135  
2015/0338588 A1\* 11/2015 Matsui ..... G02B 6/4261  
385/92  
2016/0246019 A1\* 8/2016 Ishii ..... G02B 6/4272

\* cited by examiner

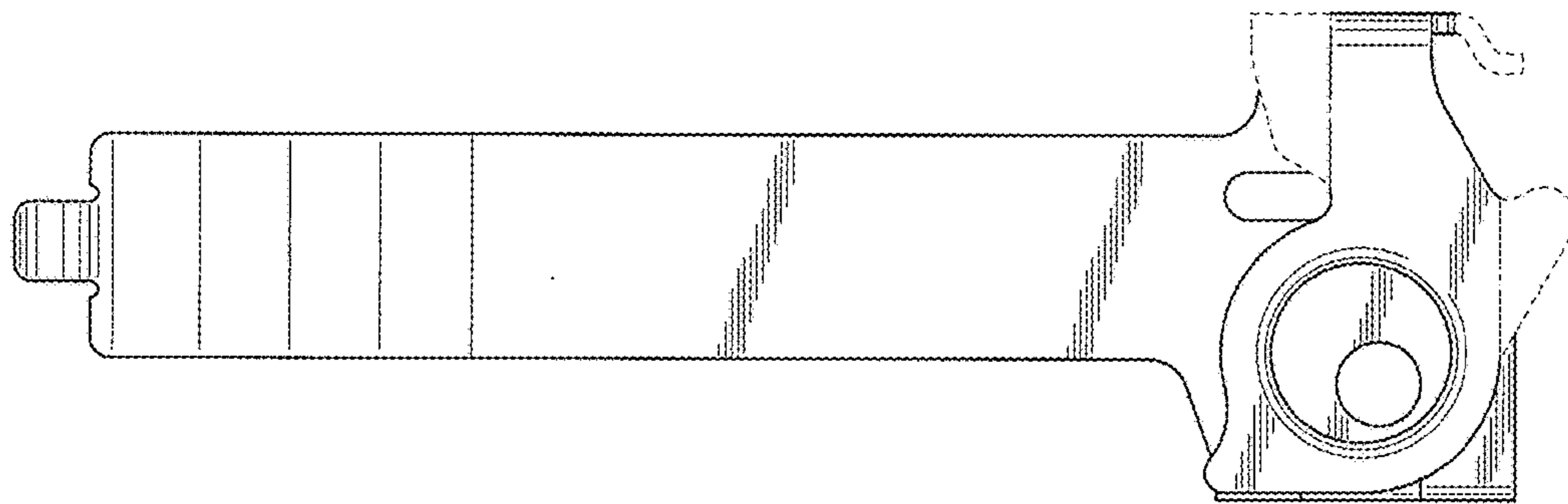
*FIG. 1*



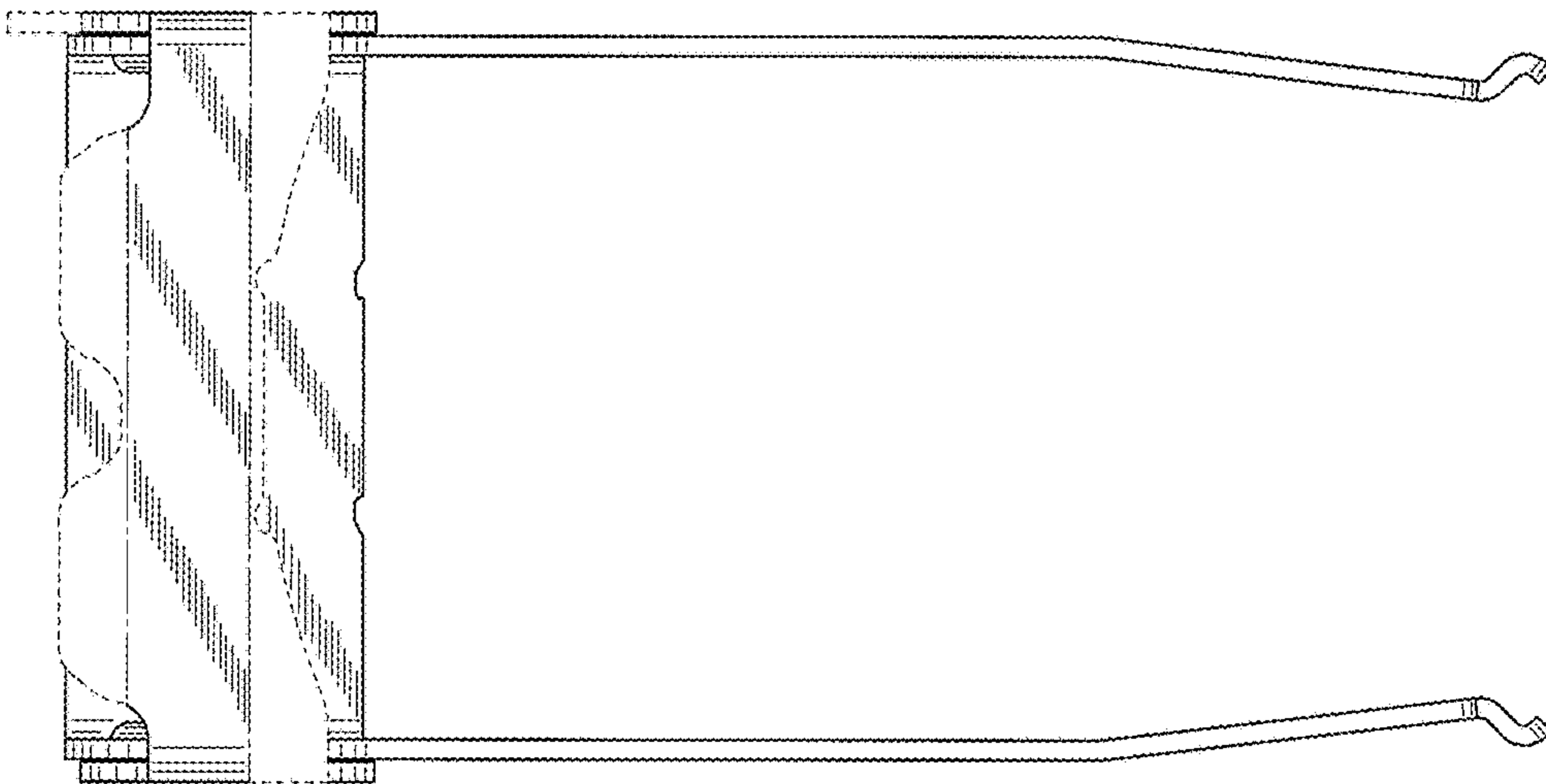
*FIG. 2*



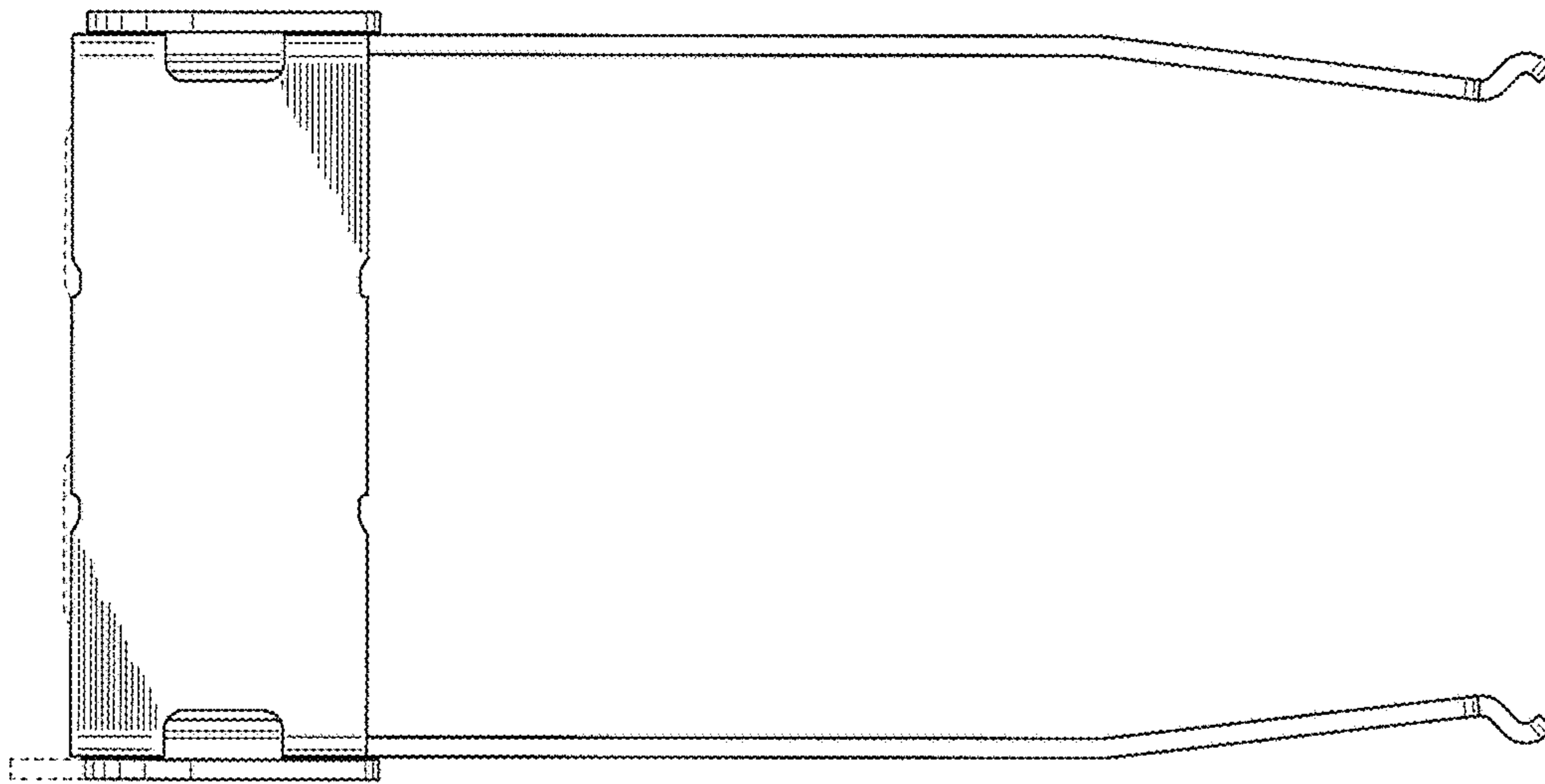
*FIG. 3*



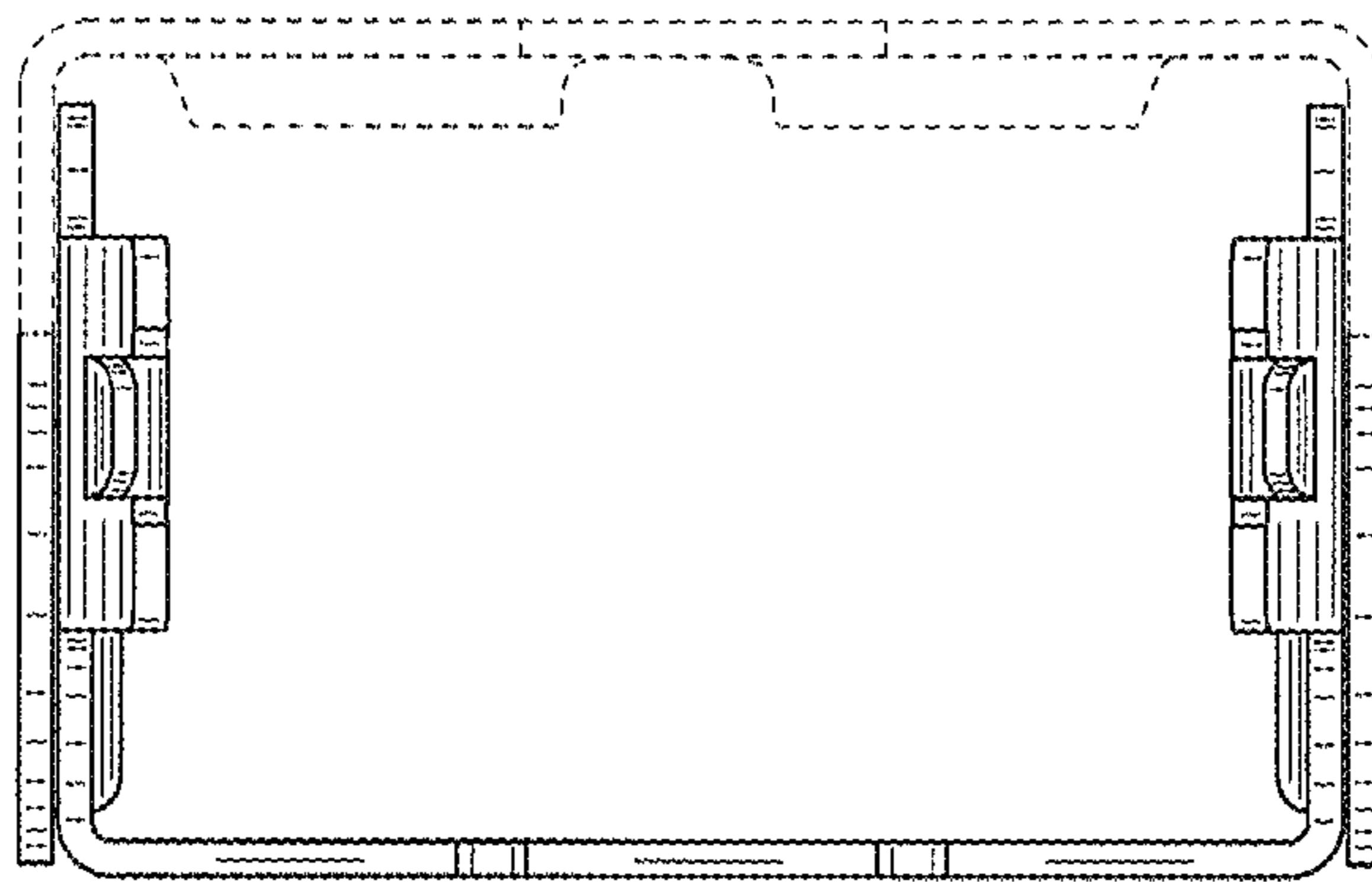
*FIG. 4*



*FIG. 5*

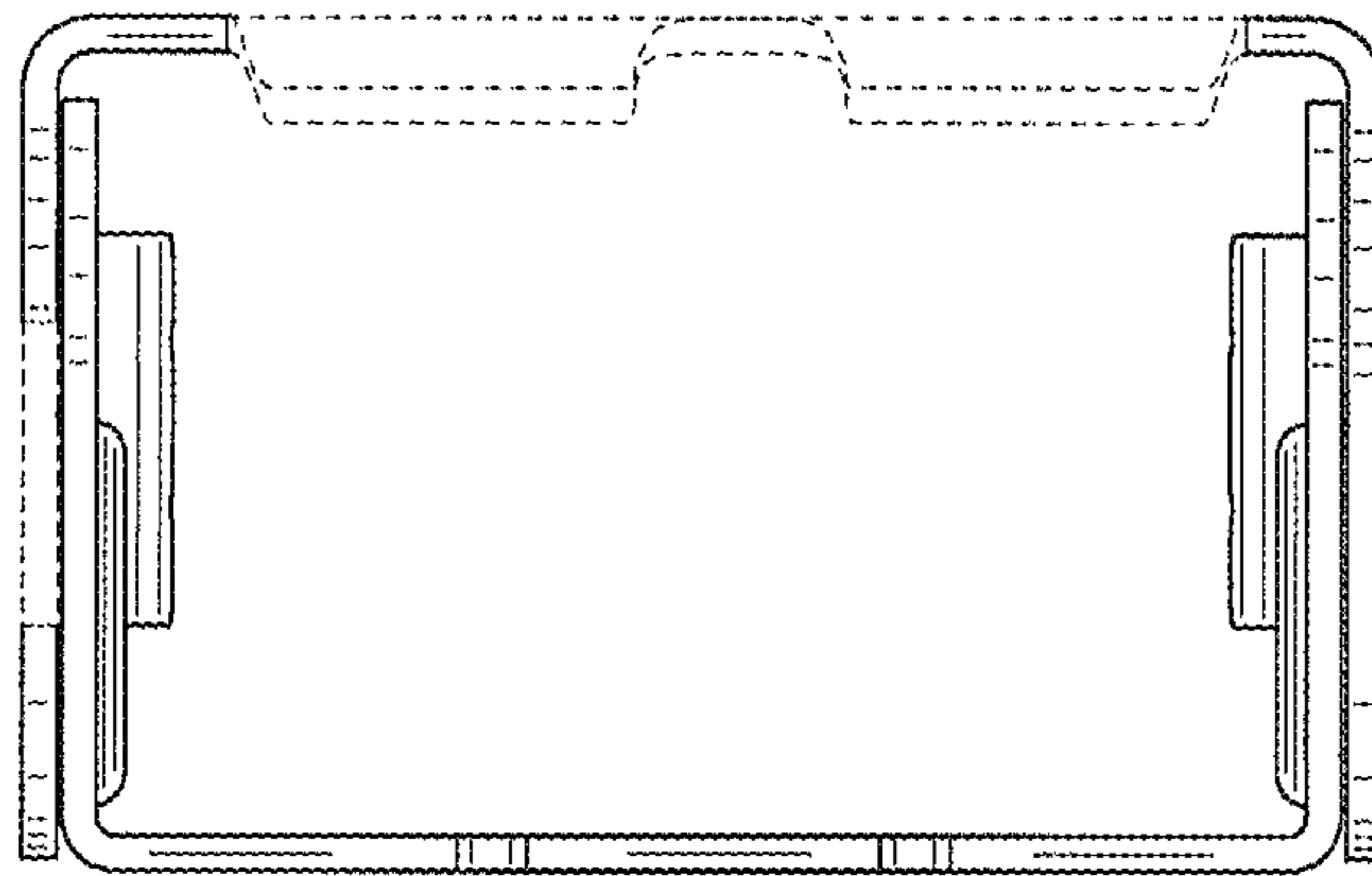


**FIG. 6**

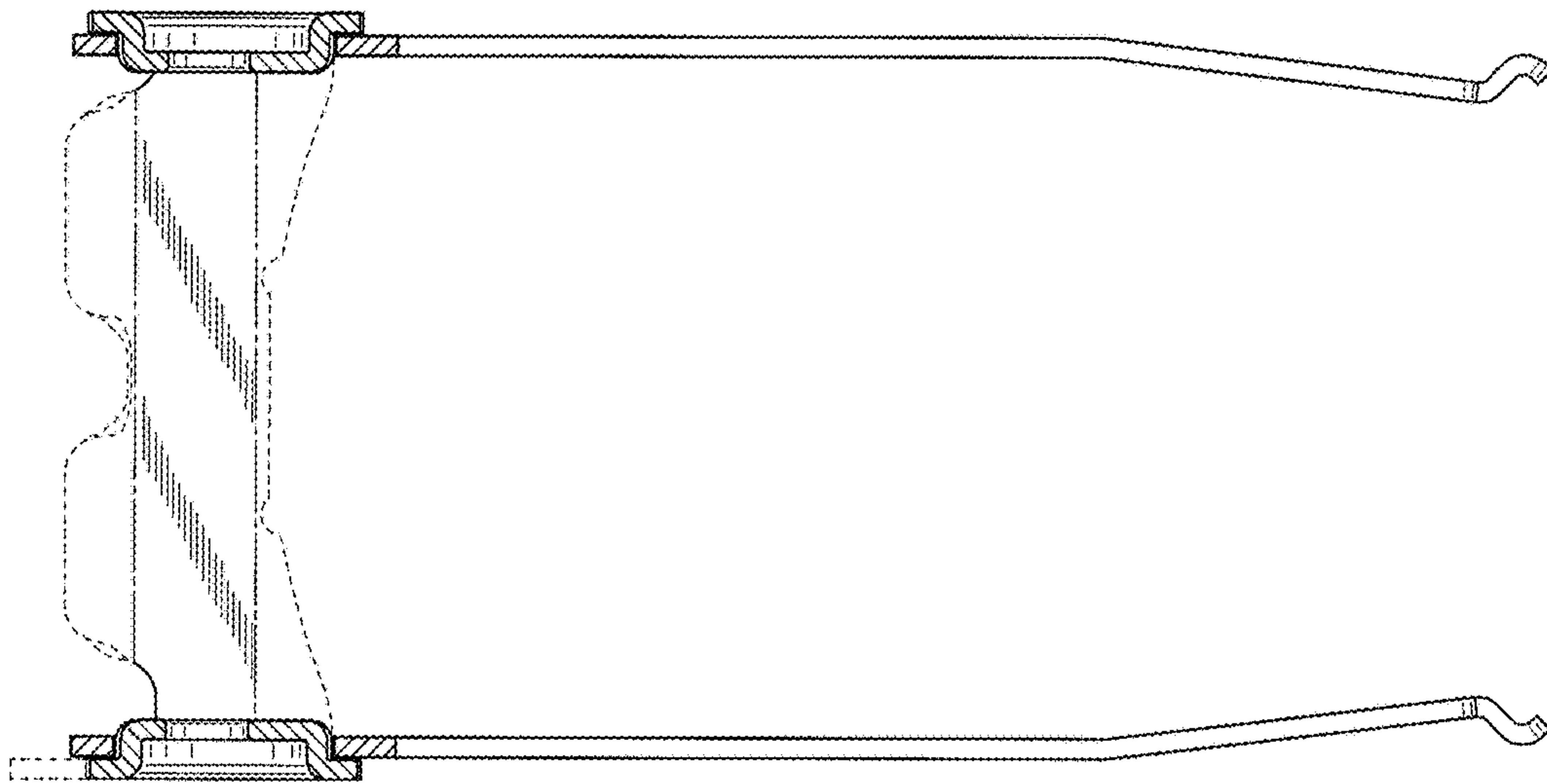




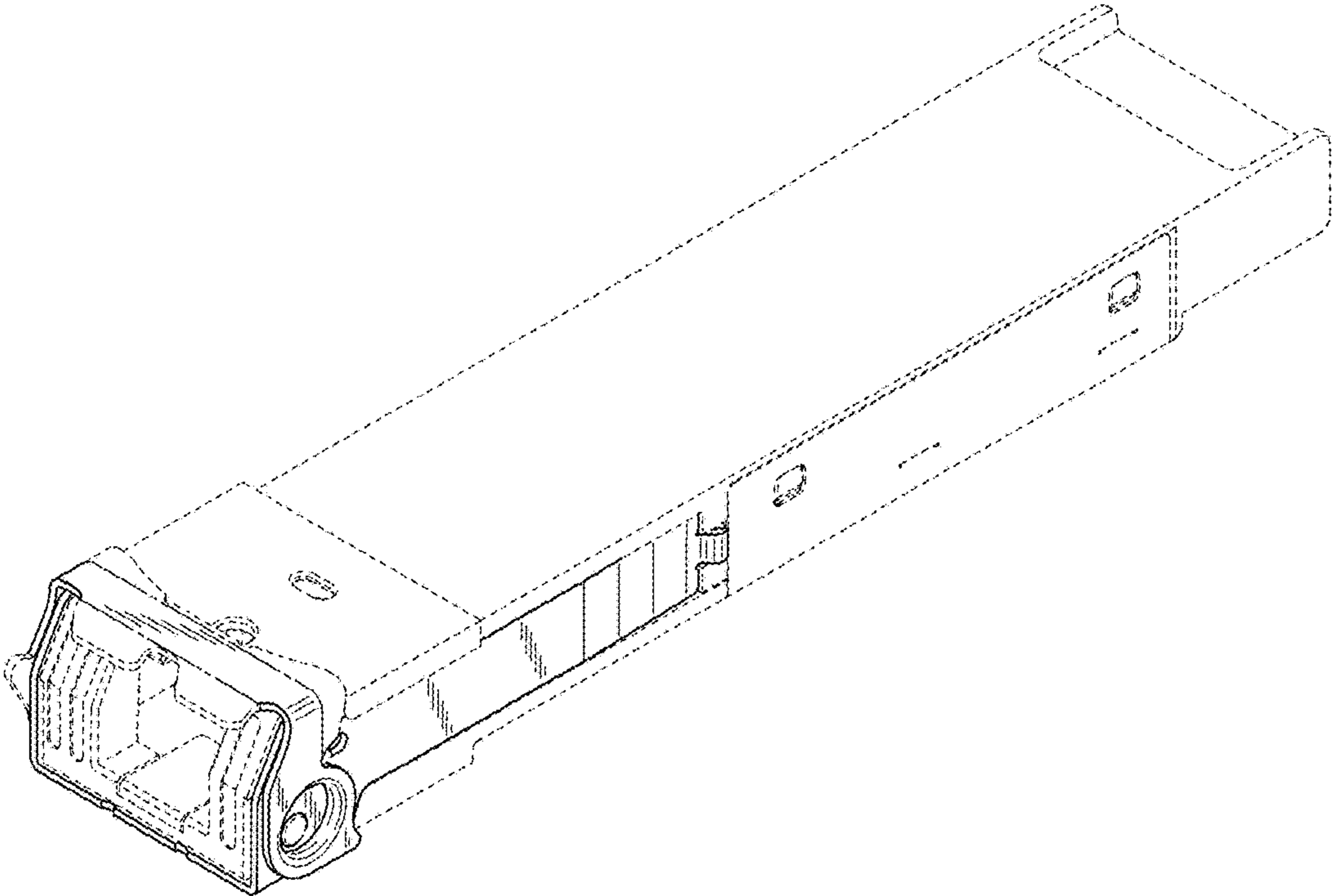
***FIG. 7***



*FIG. 8*



**FIG. 9**



**FIG. 10**

