



US00D826171S

(12) **United States Design Patent**
Wang et al.

(10) **Patent No.:** **US D826,171 S**

(45) **Date of Patent:** **** Aug. 21, 2018**

(54) **CONNECTOR**

(71) Applicants: **Pei-Lun Wang**, Keelung (TW);
Xinping Luo, Hengnan County (CN)

(72) Inventors: **Pei-Lun Wang**, Keelung (TW);
Xinping Luo, Hengnan County (CN)

(**) Term: **15 Years**

(21) Appl. No.: **29/604,228**

(22) Filed: **May 16, 2017**

(51) **LOC (11) Cl.** **13-03**

(52) **U.S. Cl.**
USPC **D13/147**

(58) **Field of Classification Search**

USPC D13/123, 133, 146, 147, 154, 184, 199
CPC H01R 12/51; H01R 12/52; H01R 12/57;
H01R 12/592; H01R 12/61; H01R 12/63;
H01R 12/7005; H01R 12/716; H01R
12/72; H01R 12/732; H01R 12/777;
H01R 12/79; H01R 12/87; H01R 12/89;
H01R 13/213; H01R 13/2464; H01R
13/2492; H01R 13/26; H01R 13/28;
H01R 13/428; H01R 13/434; H01R
13/4362; H01R 13/4534; H01R 13/506;
H01R 13/508; H01R 13/5804; H01R
13/5816; H01R 13/585; H01R 13/6271;
H01R 13/635

See application file for complete search history.

(56) **References Cited**

U.S. PATENT DOCUMENTS

D570,801 S *	6/2008	Allen	D10/103
D655,754 S *	3/2012	Lee	D19/72
D684,931 S *	6/2013	Lin	D13/147
D713,795 S *	9/2014	Yang	D13/147
D751,989 S *	3/2016	Imai	D13/147

* cited by examiner

Primary Examiner — Daniel Bui

(74) *Attorney, Agent, or Firm* — Chun-Ming Shih; HDLS
IPR Services

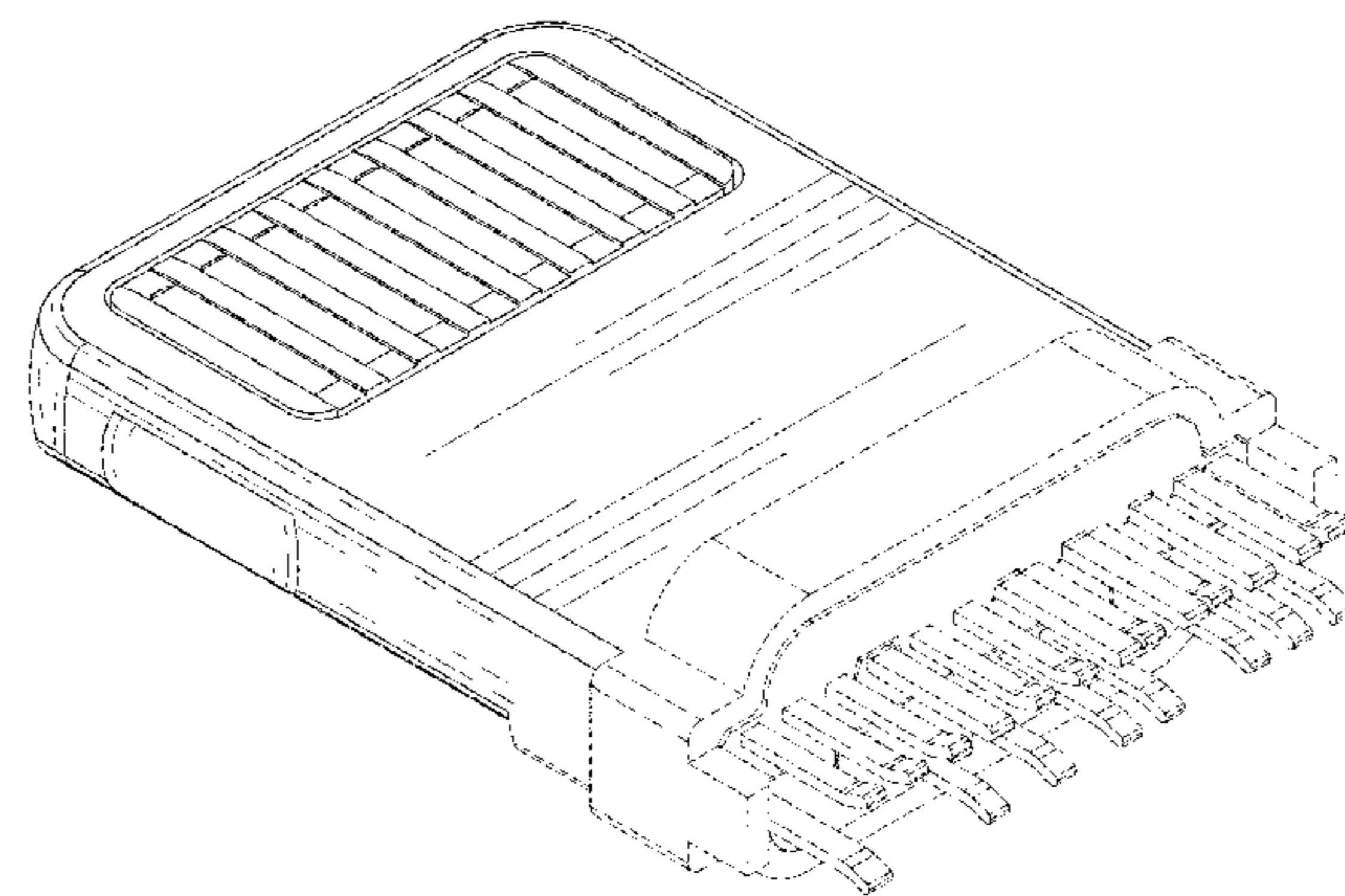
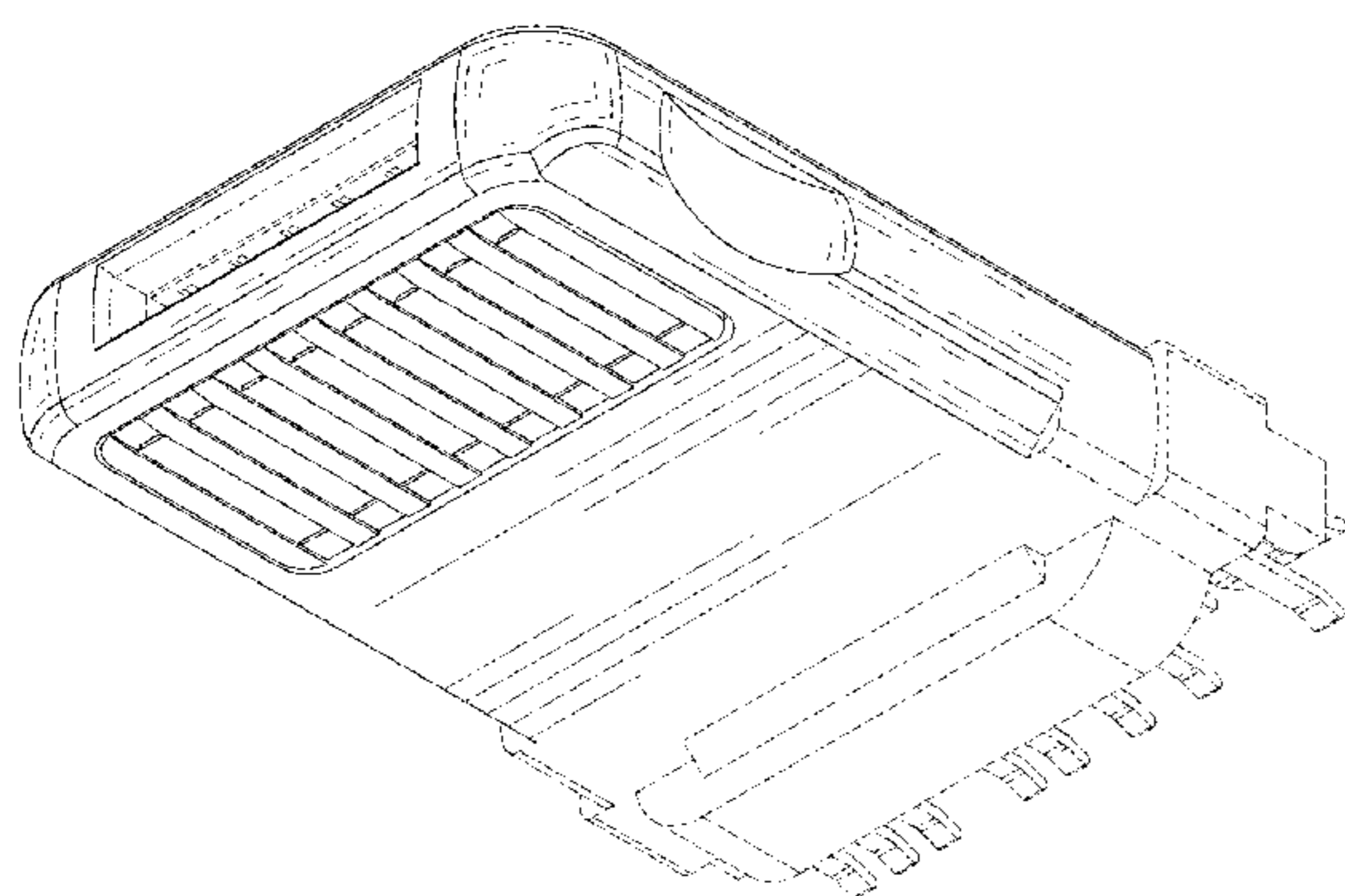
(57) **CLAIM**

The ornamental design for a connector, as shown and described.

DESCRIPTION

FIG. 1 is a front, top and right side perspective view of a connector showing my new design;
FIG. 2 is a front elevational view thereof;
FIG. 3 is a rear elevational view thereof;
FIG. 4 is a left side elevational view thereof;
FIG. 5 is a right side elevational view thereof;
FIG. 6 is a top plan view thereof;
FIG. 7 is a bottom plan view thereof;
FIG. 8 is a front, bottom and right side perspective view thereof; and,
FIG. 9 is a rear, top and right side perspective view thereof.
The broken line shown in the drawing represents unclaimed subject matter and forms no part of the claimed design.

1 Claim, 7 Drawing Sheets



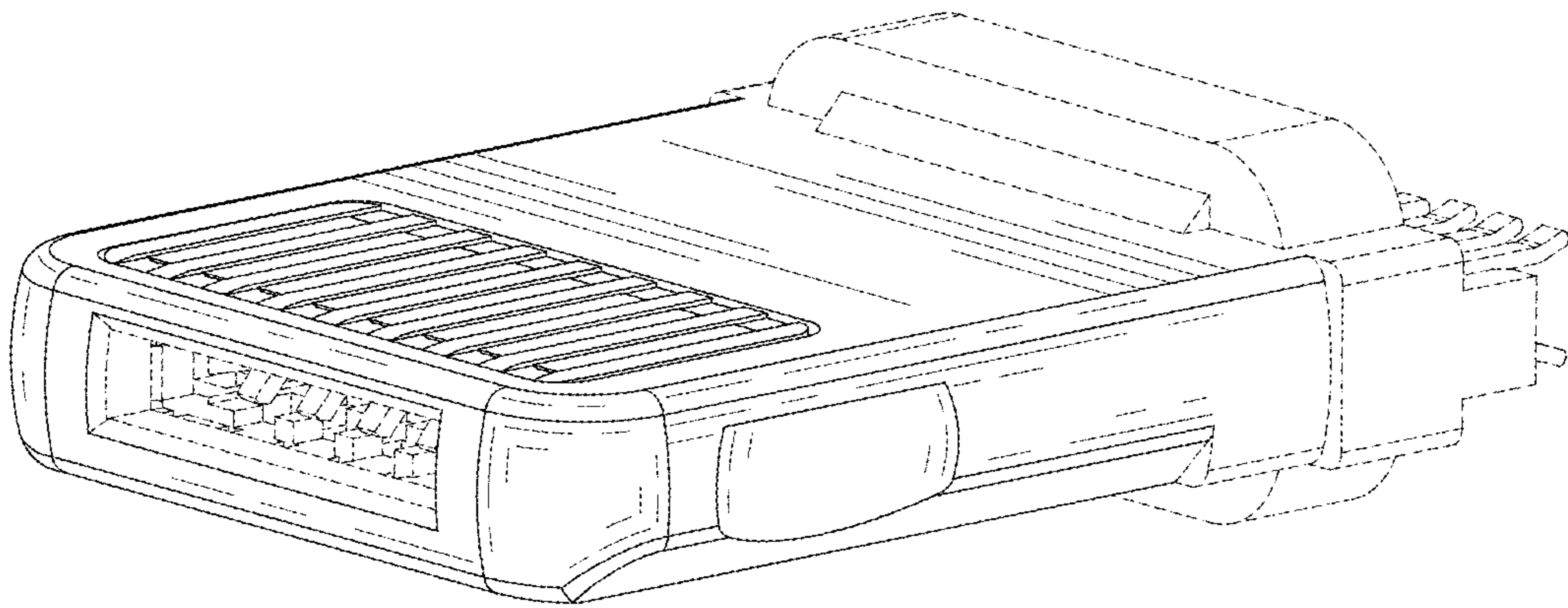


FIG.1

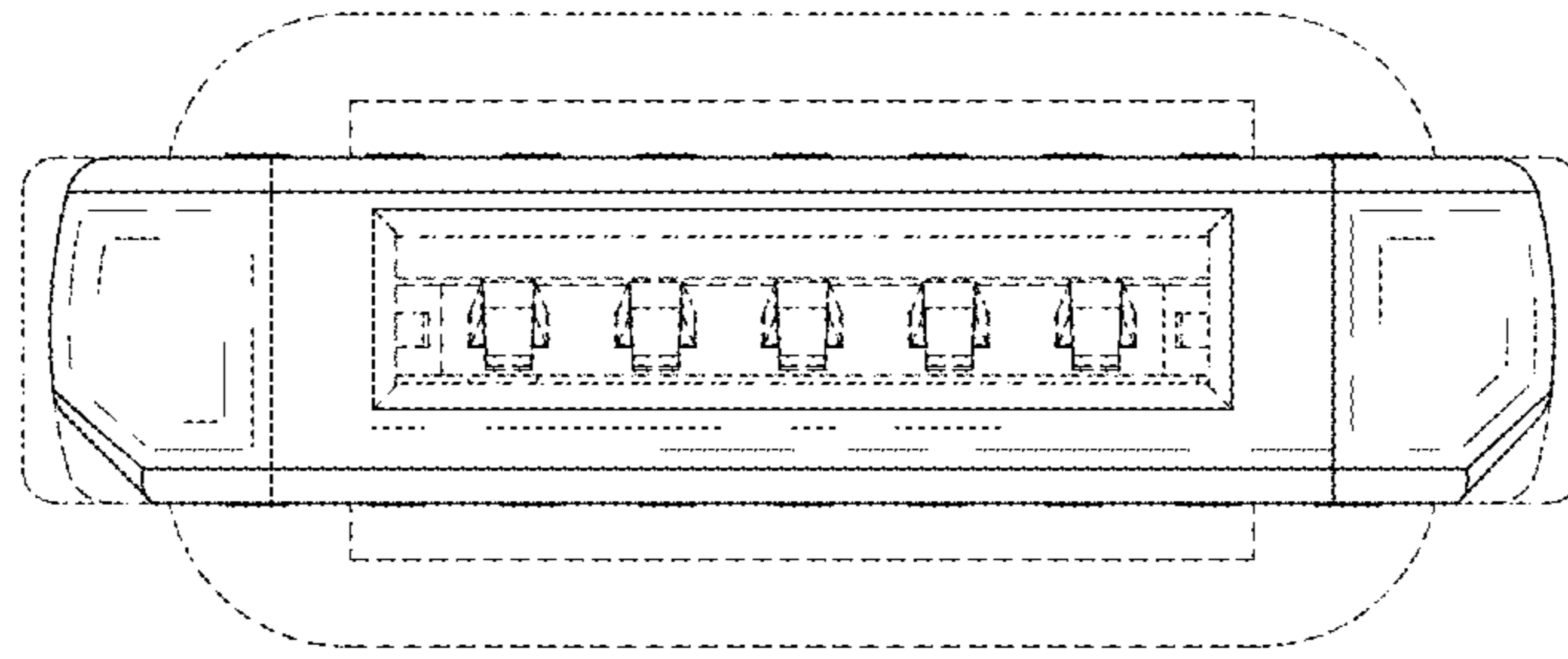


FIG. 2

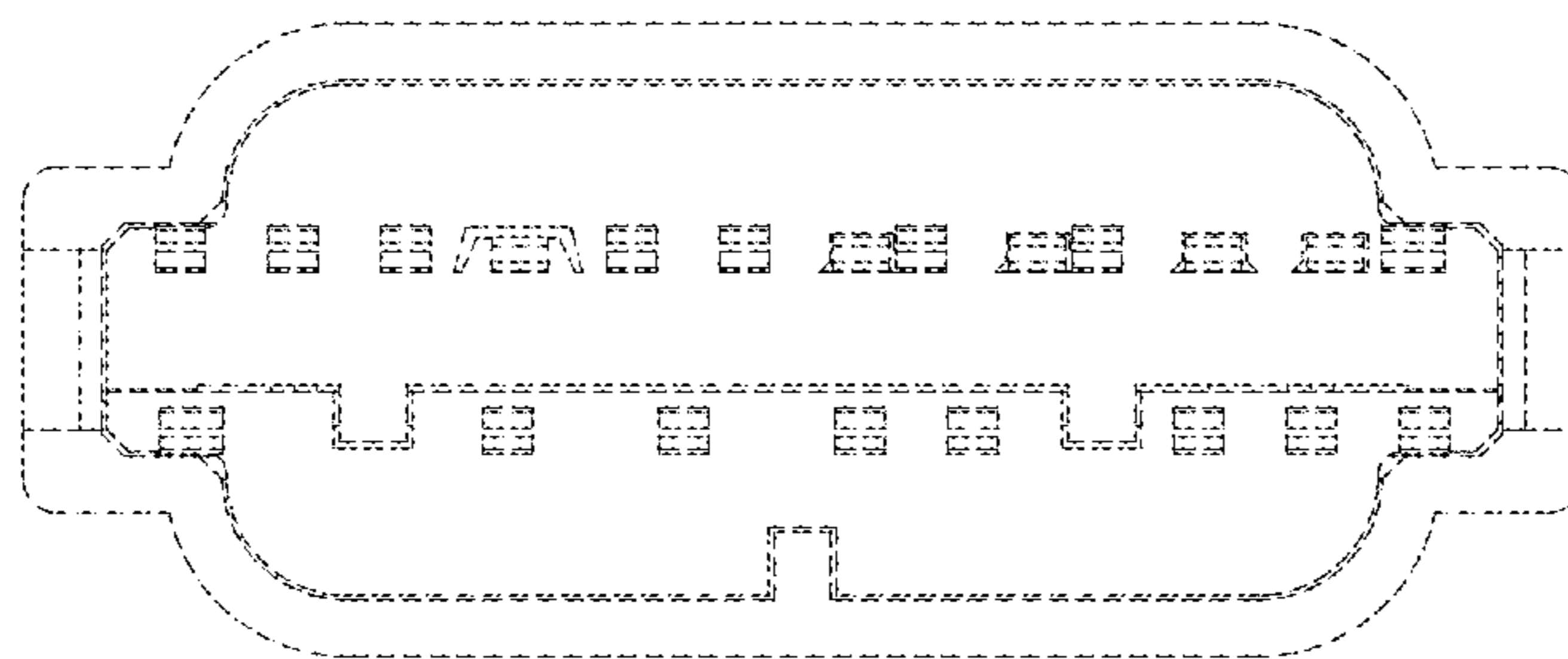


FIG. 3

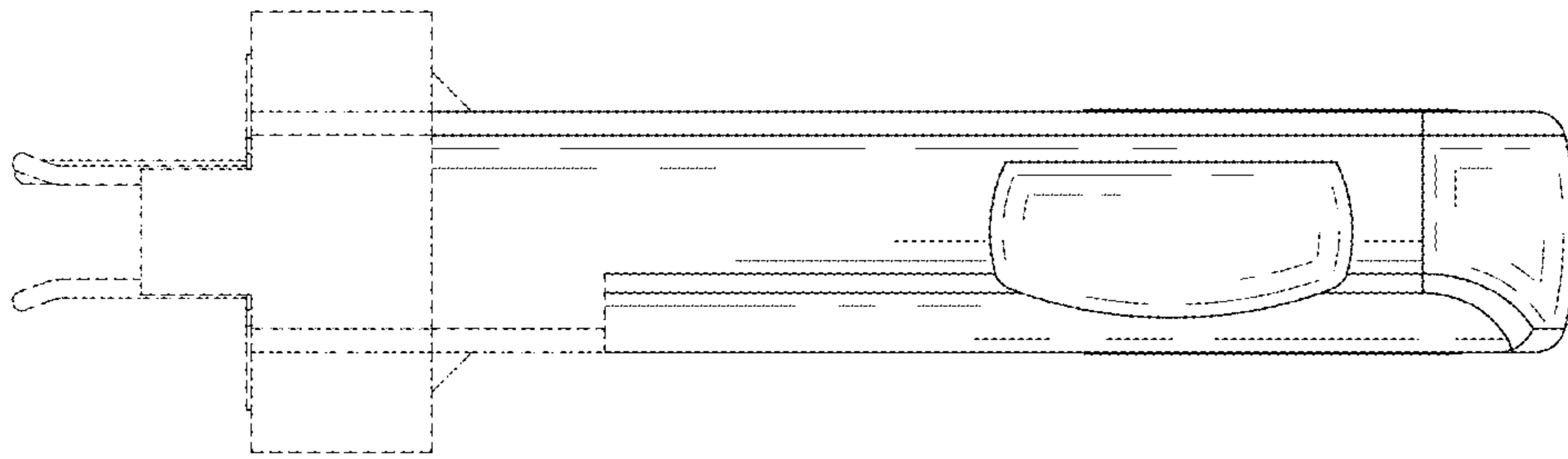


FIG. 4

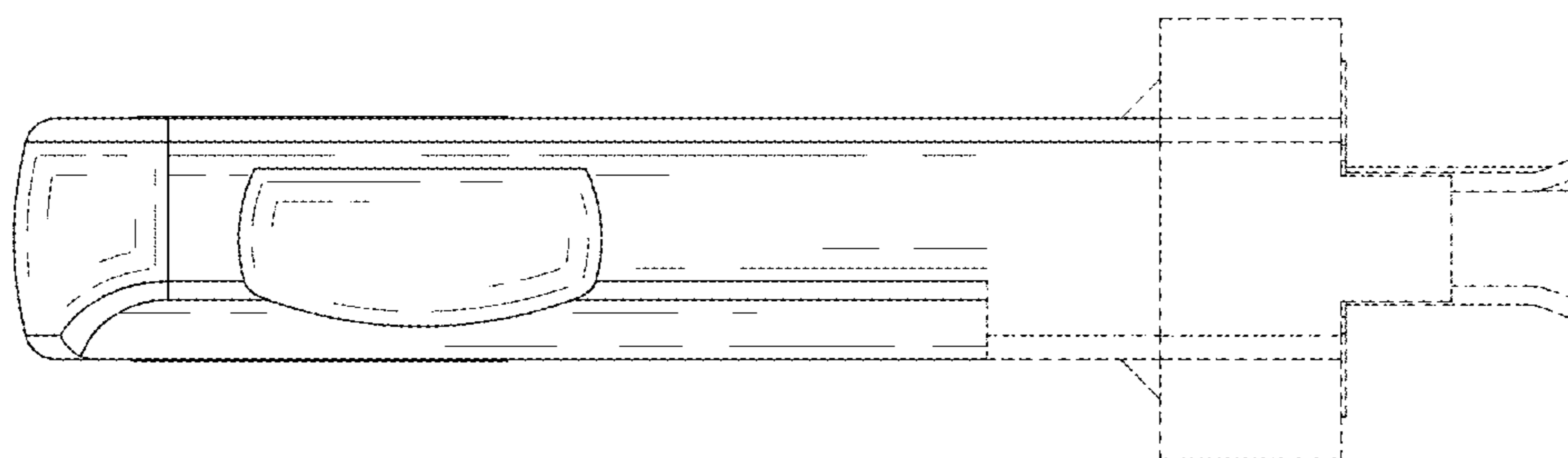


FIG. 5

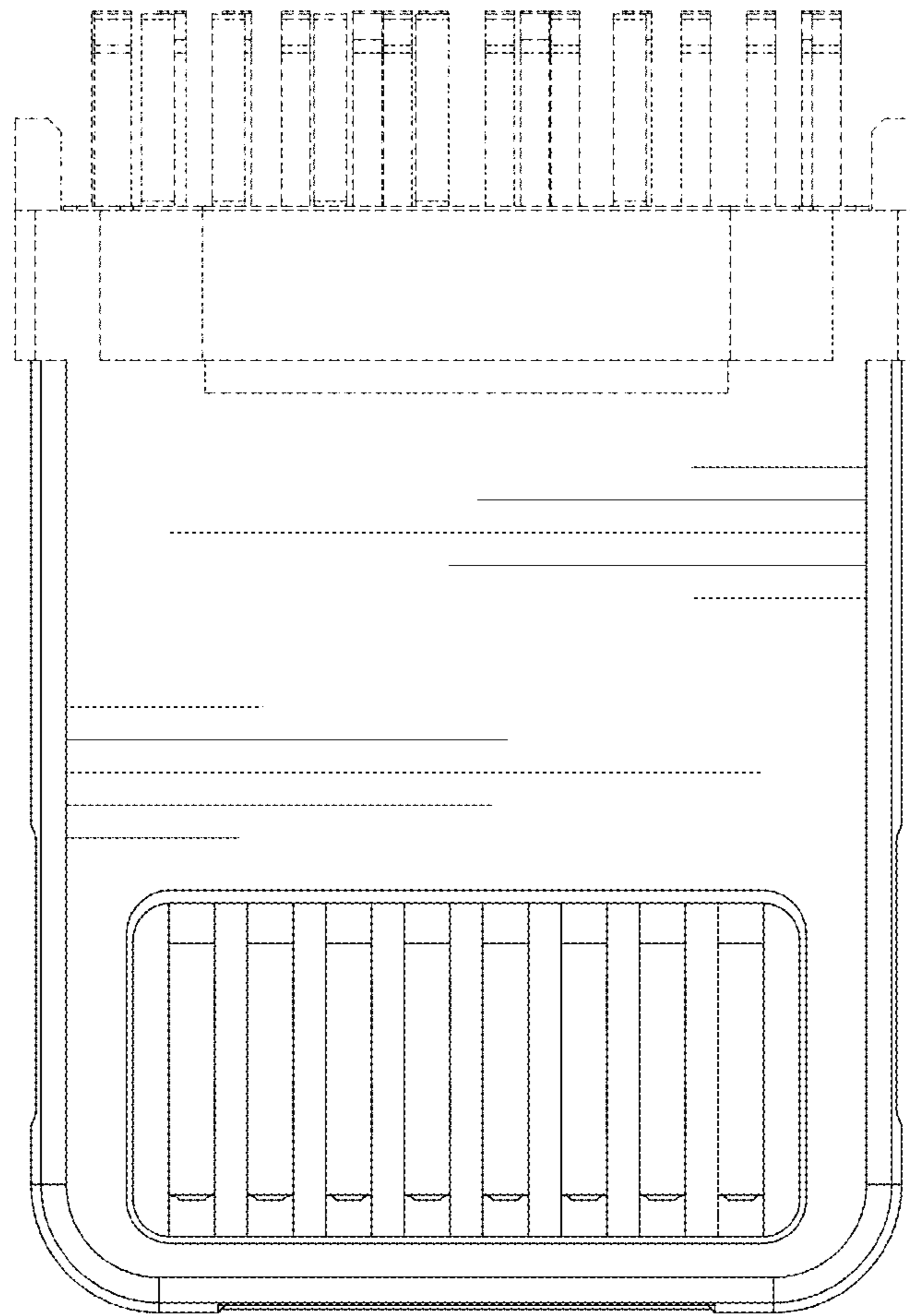


FIG.6

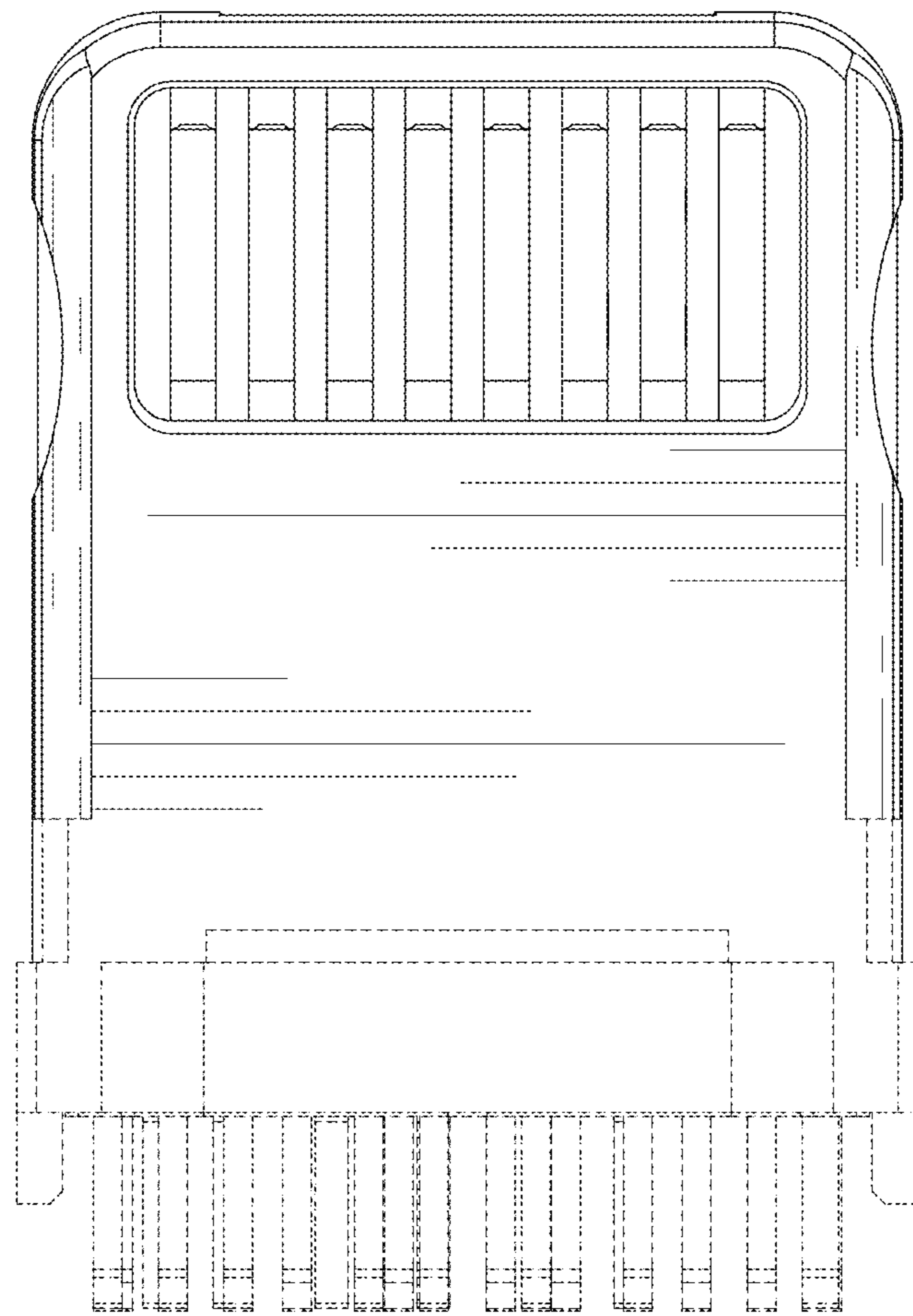


FIG.7

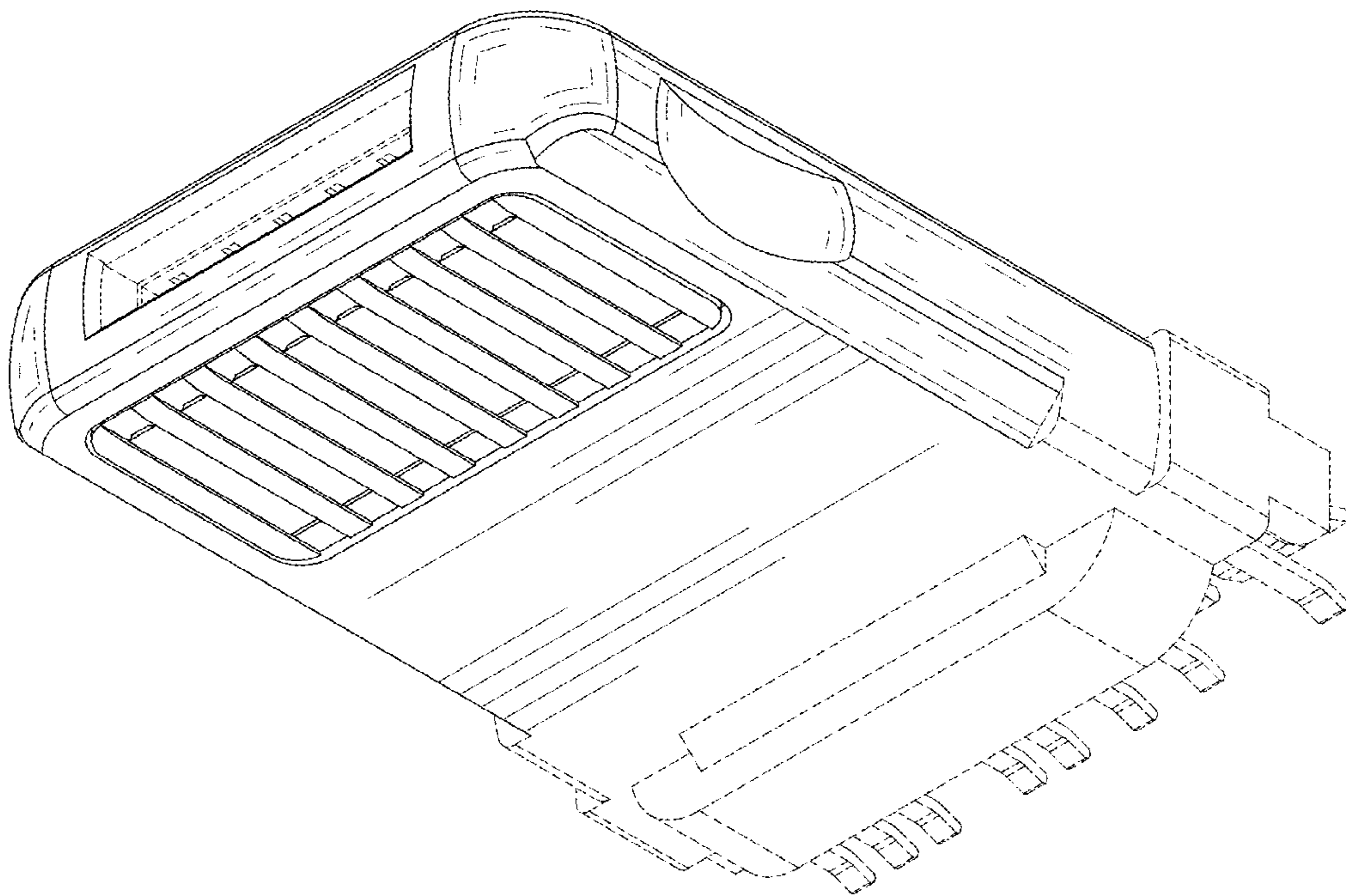


FIG.8

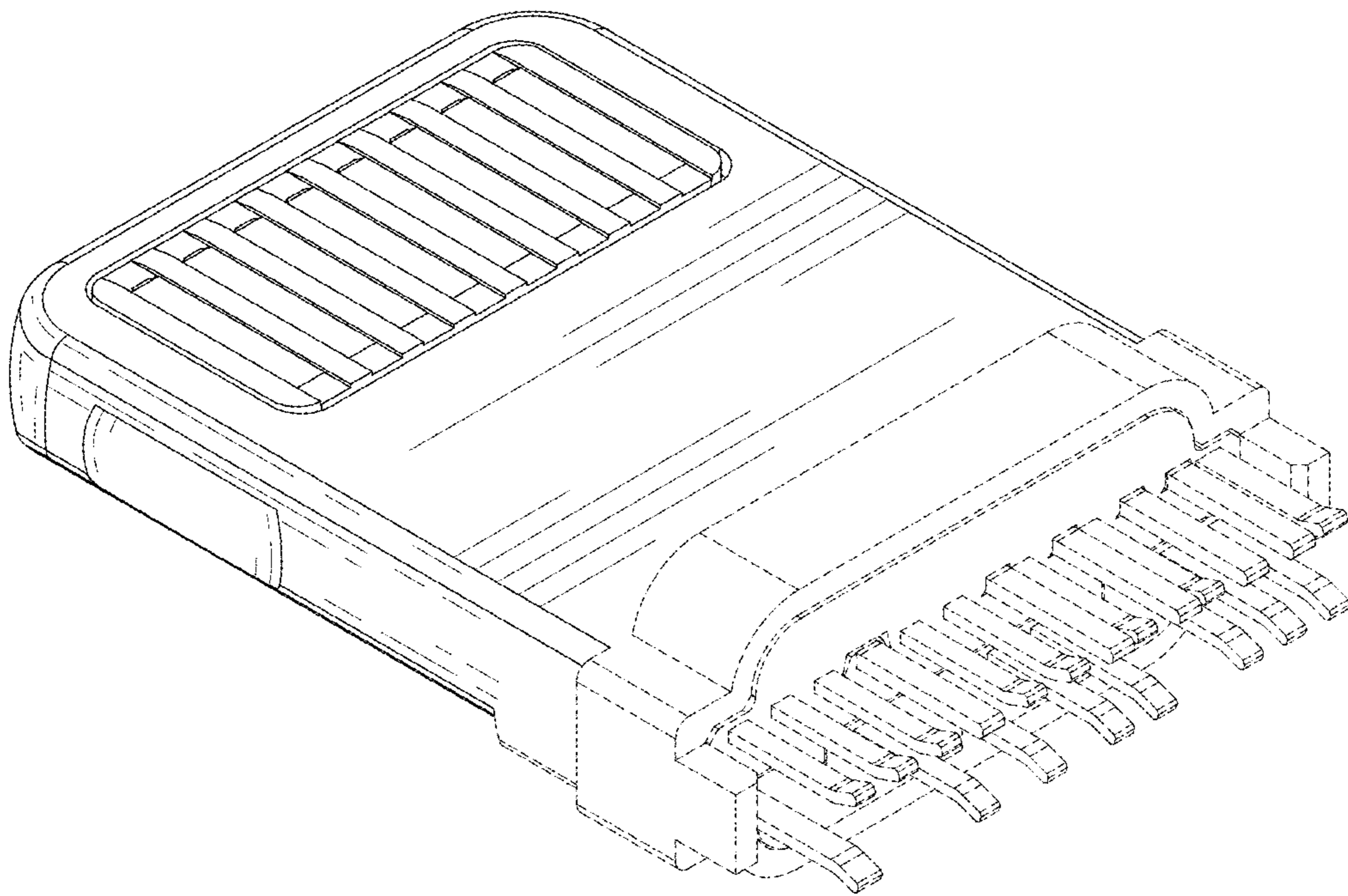


FIG.9