



US00D826167S

(12) **United States Design Patent**  
**Mastel**

(10) **Patent No.:** **US D826,167 S**

(45) **Date of Patent:** **\*\* \*Aug. 21, 2018**

(54) **TERMINAL**

(71) Applicant: **WAGO Verwaltungsgesellschaft mbH**,  
Minden (DE)

(72) Inventor: **Rudolf Mastel**, Porta Westfalica (DE)

(73) Assignee: **WAGO Verwaltungsgesellschaft mbH**,  
Minden (DE)

(\*) Notice: This patent is subject to a terminal disclaimer.

(\*\*) Term: **15 Years**

(21) Appl. No.: **29/597,446**

(22) Filed: **Mar. 17, 2017**

(30) **Foreign Application Priority Data**

Sep. 19, 2016 (EM) ..... 003383967-0003

(51) **LOC (11) Cl.** ..... **13-03**

(52) **U.S. Cl.**  
USPC ..... **D13/147**

(58) **Field of Classification Search**  
USPC ..... D13/123, 133, 146, 147, 154, 184, 199  
CPC . H01R 4/48; H01R 9/24; H01R 13/02; H01R  
13/2407; H01R 13/52; H01R 13/62;  
H01R 13/629; H01R 13/633; H01R  
13/639

See application file for complete search history.

(56) **References Cited**

**U.S. PATENT DOCUMENTS**

D624,503 S \* 9/2010 Severing ..... D13/147  
D625,270 S \* 10/2010 Schafmeister ..... D13/147

D626,509 S \* 11/2010 Severing ..... D13/147  
D641,703 S \* 7/2011 Severing ..... D13/146  
D739,822 S \* 9/2015 Severing ..... D13/146  
D756,301 S \* 5/2016 Wu ..... D13/133  
D756,304 S \* 5/2016 Wu ..... D13/146  
2015/0044897 A1\* 2/2015 Wu ..... H01R 4/48  
439/352  
2016/0204526 A1\* 7/2016 Wu ..... H01R 4/4809  
439/816

\* cited by examiner

*Primary Examiner* — Daniel Bui

(74) *Attorney, Agent, or Firm* — Muncy, Geissler, Olds & Lowe, P.C.

(57) **CLAIM**

The ornamental design for a terminal, as shown and described.

**DESCRIPTION**

FIG. 1 is a front perspective view of a terminal showing my new design.

FIG. 2 is a front view thereof.

FIG. 3 is a rear view thereof.

FIG. 4 is a left side view thereof.

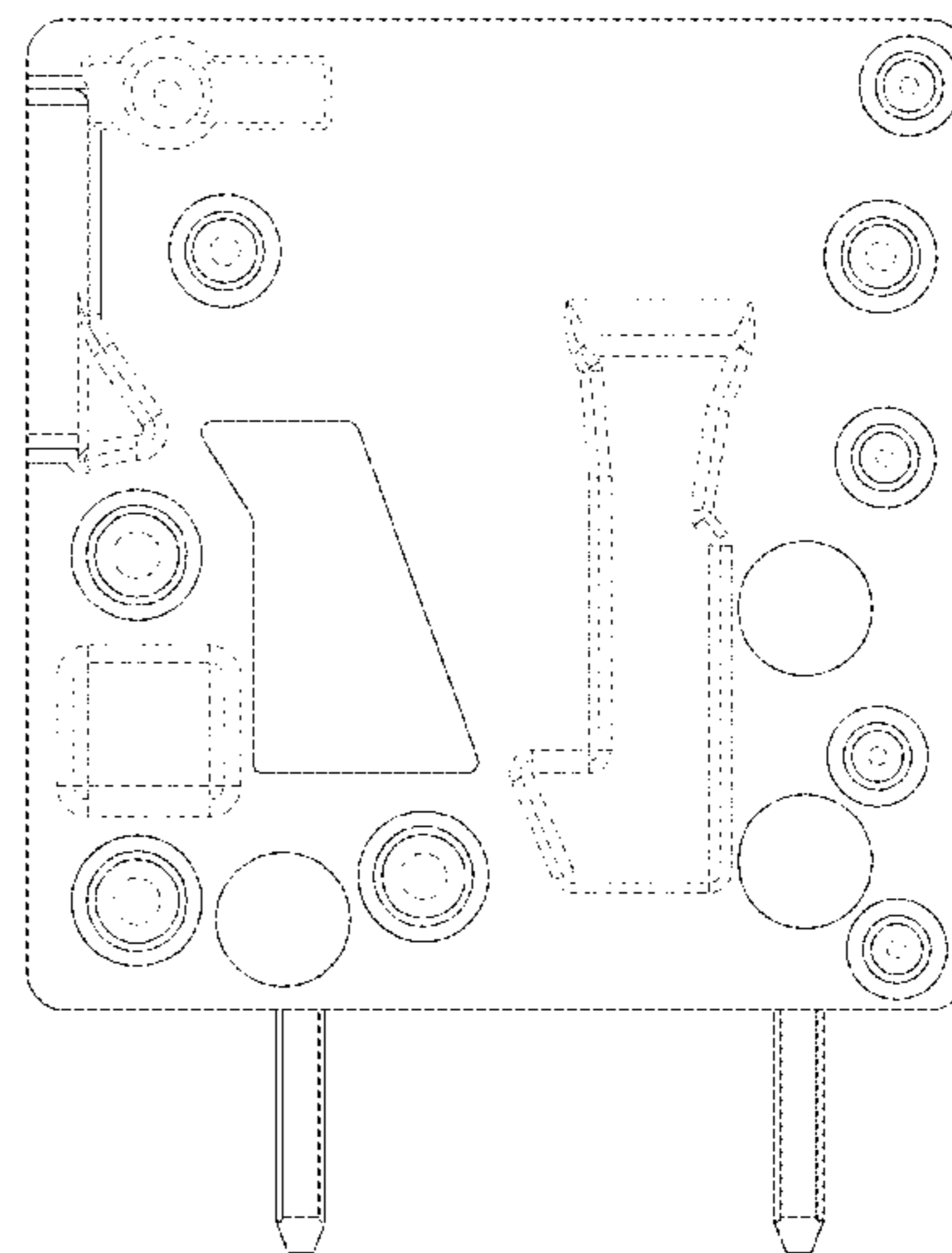
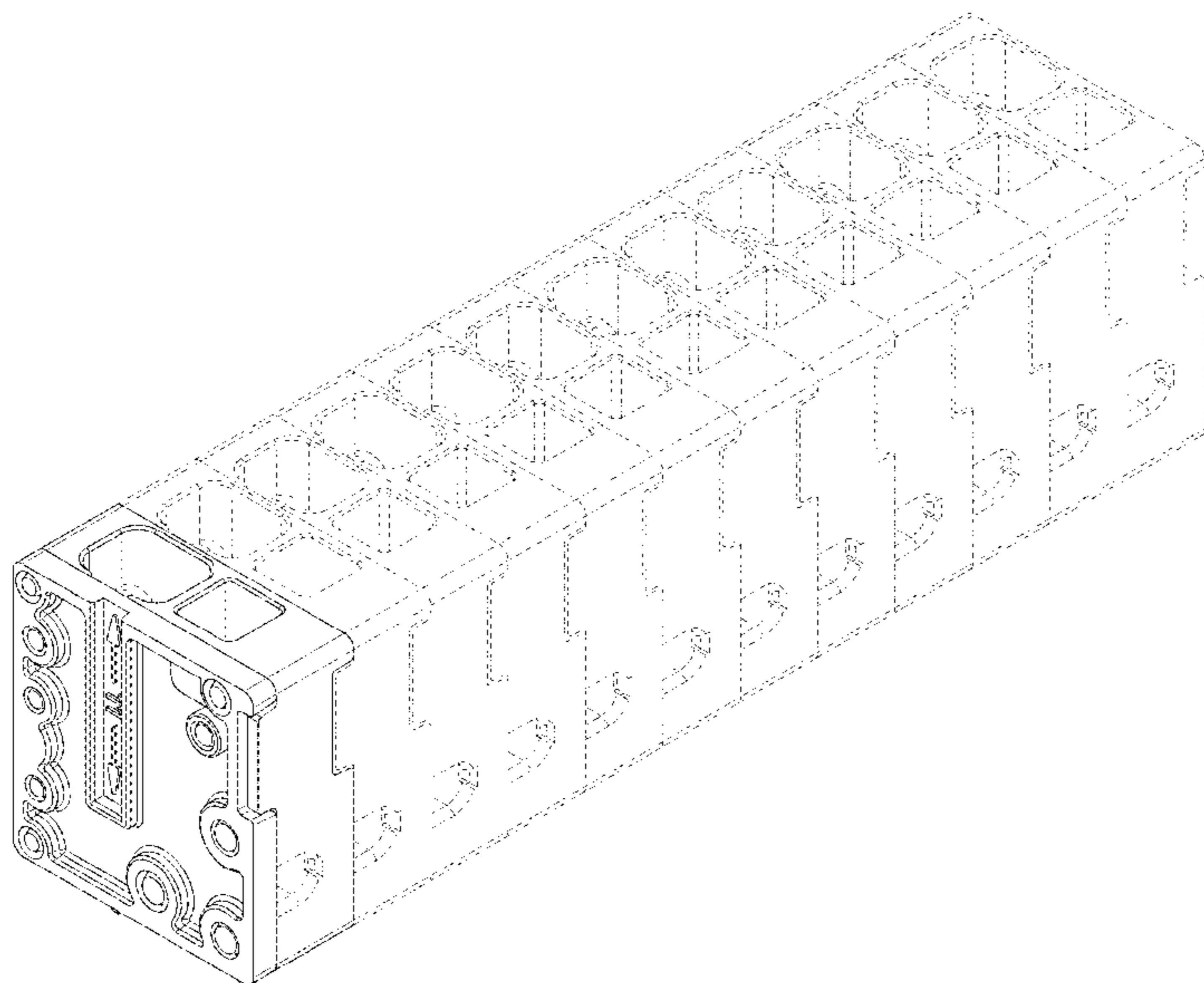
FIG. 5 is a right side view thereof.

FIG. 6 is a top view thereof; and,

FIG. 7 is a bottom view thereof.

The evenly-spaced broken lines illustrate environment that does not form part of the claim.

**1 Claim, 7 Drawing Sheets**



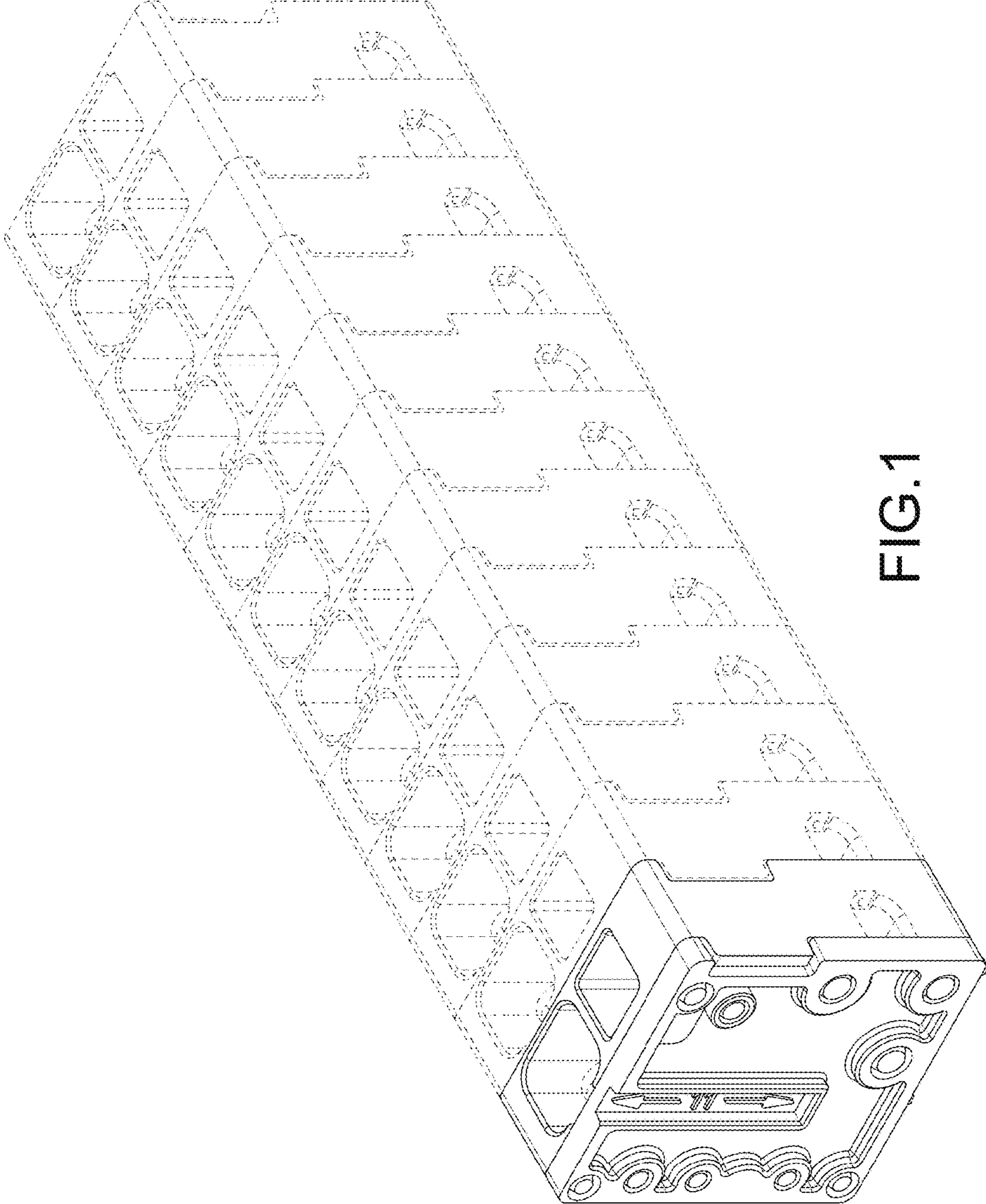


FIG. 1

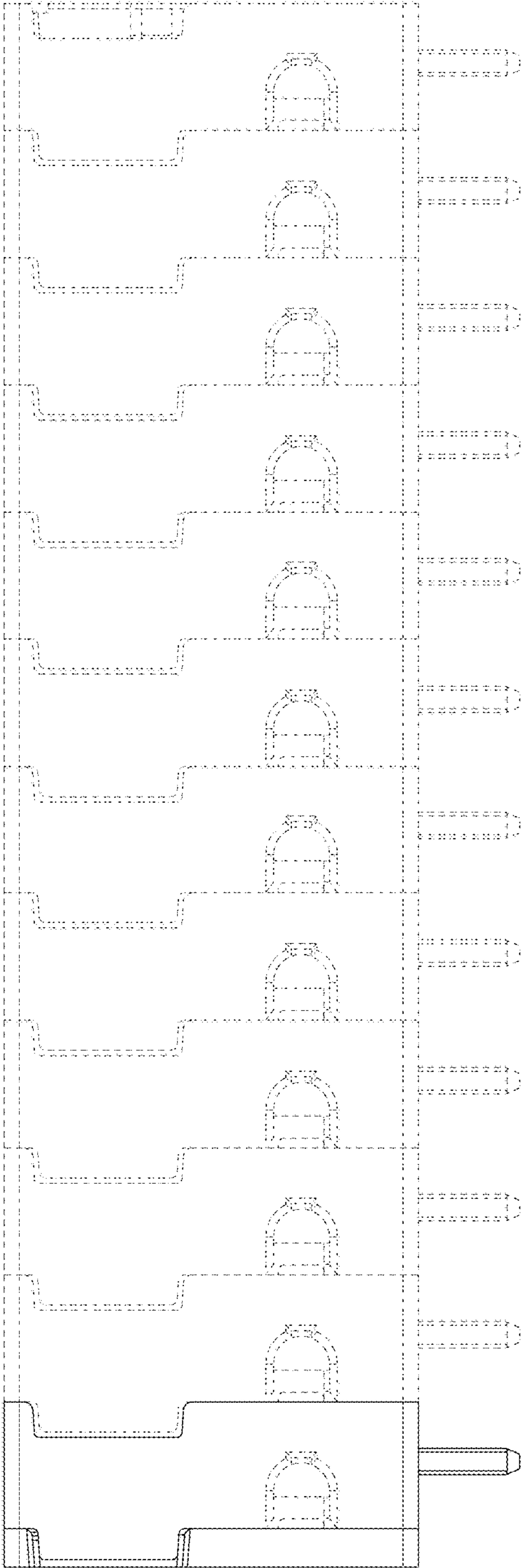


FIG.2

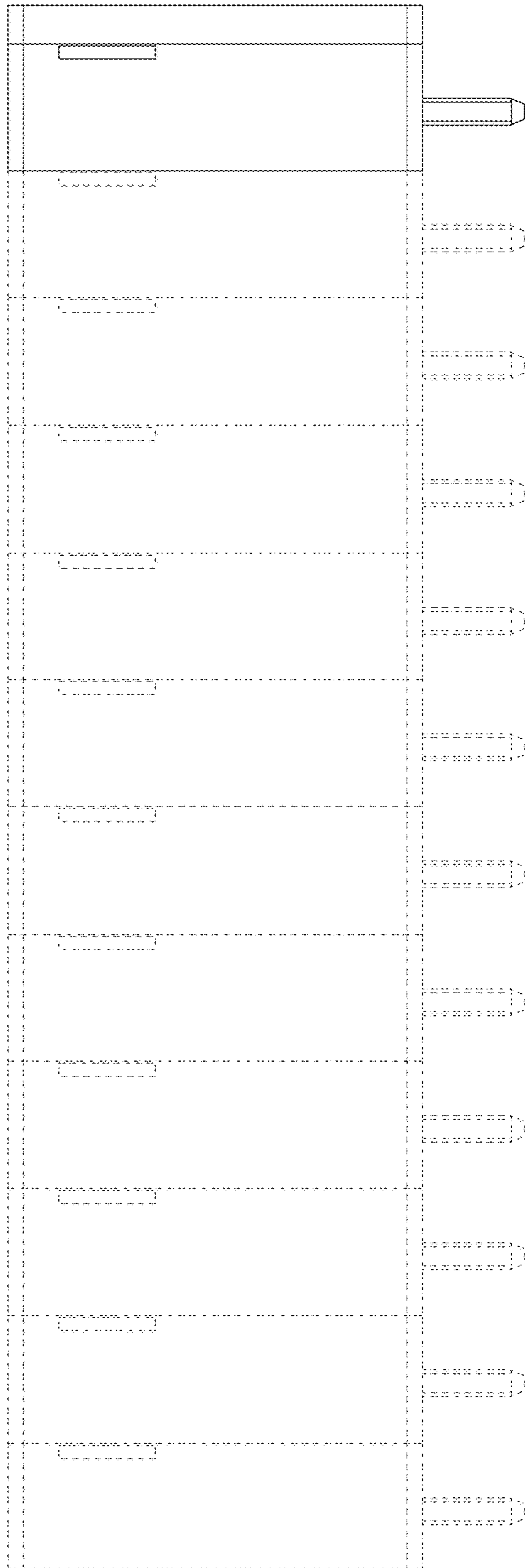


FIG.3

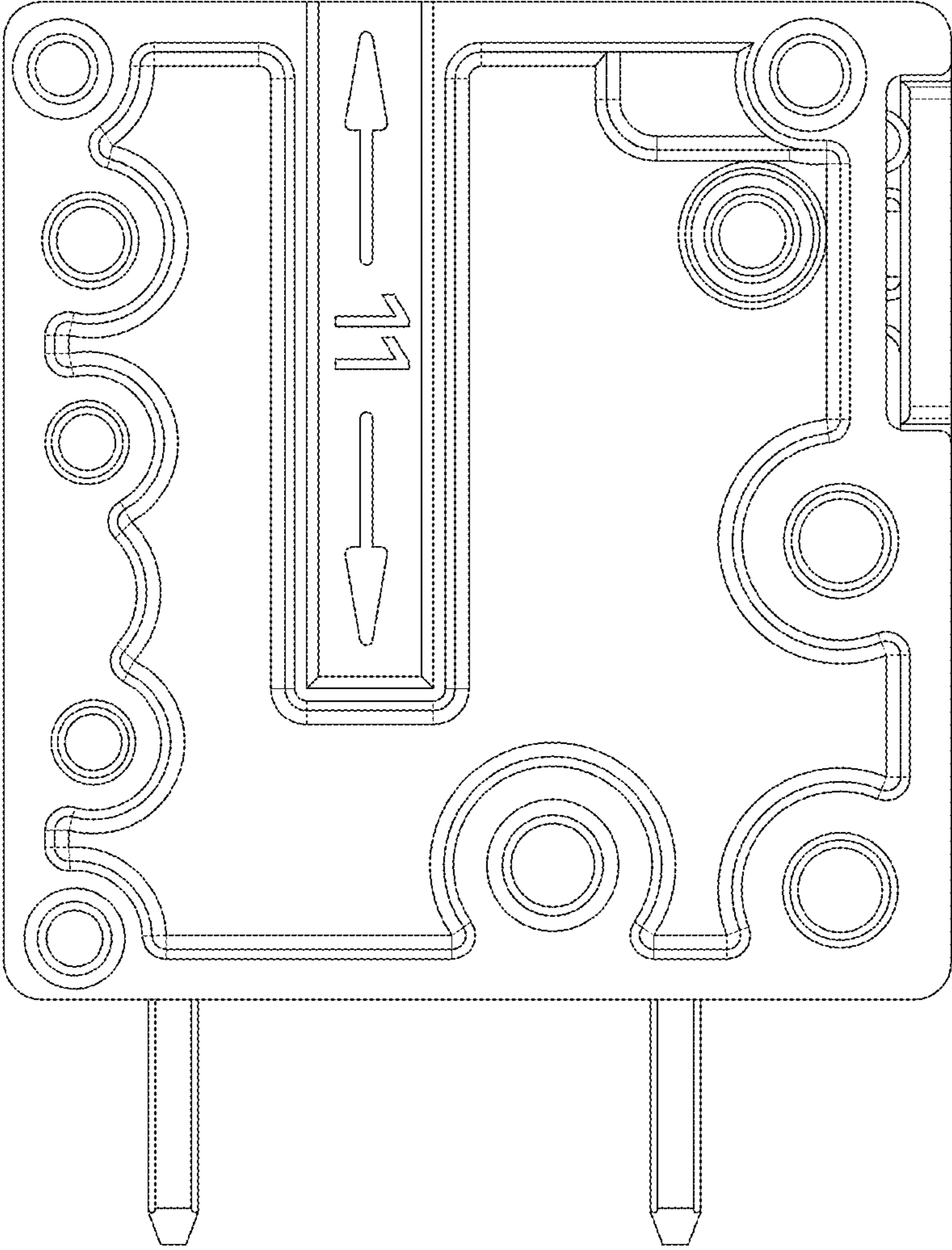


FIG.4

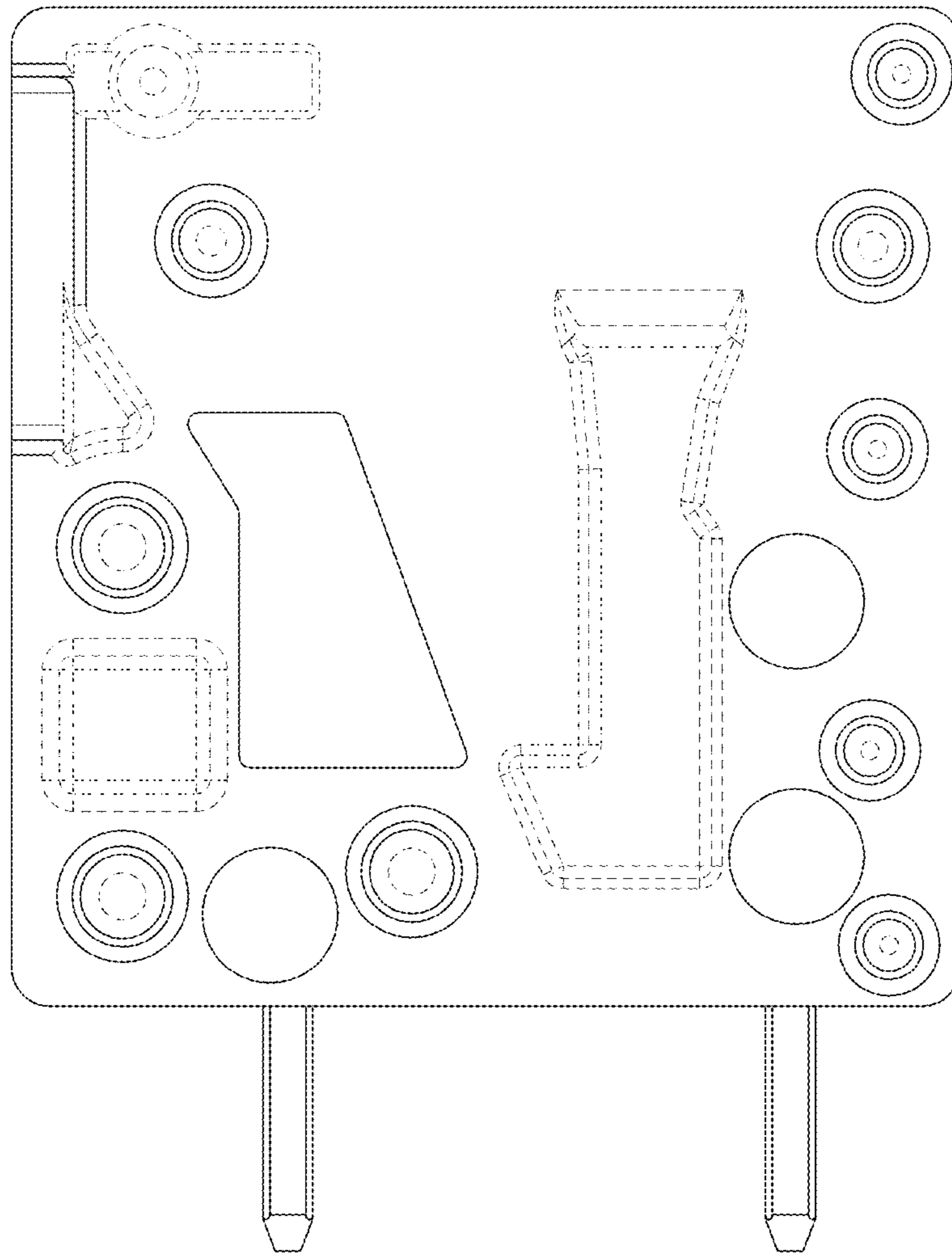


FIG.5

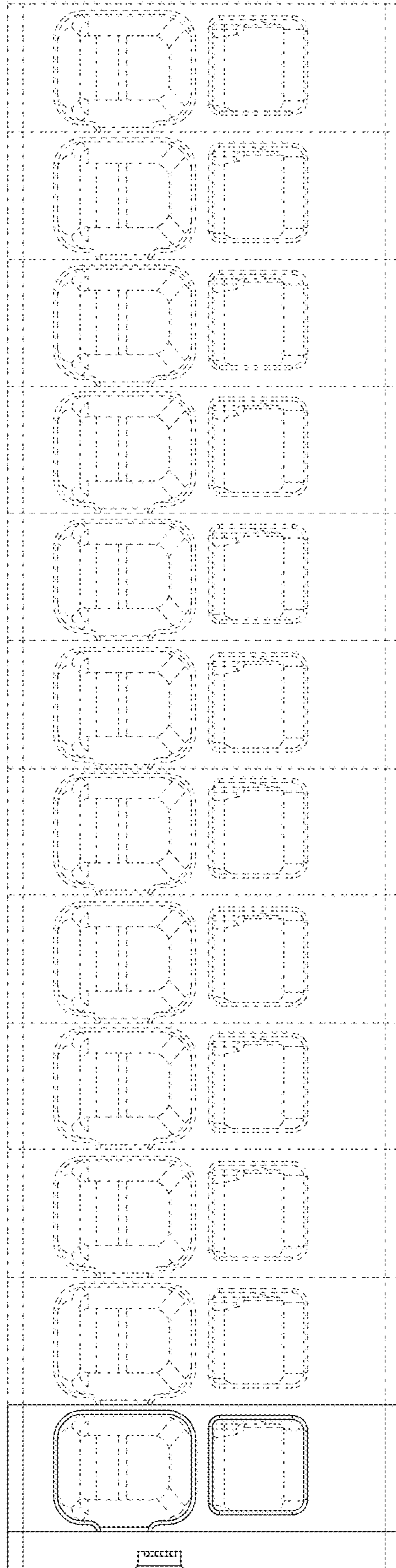


FIG.6

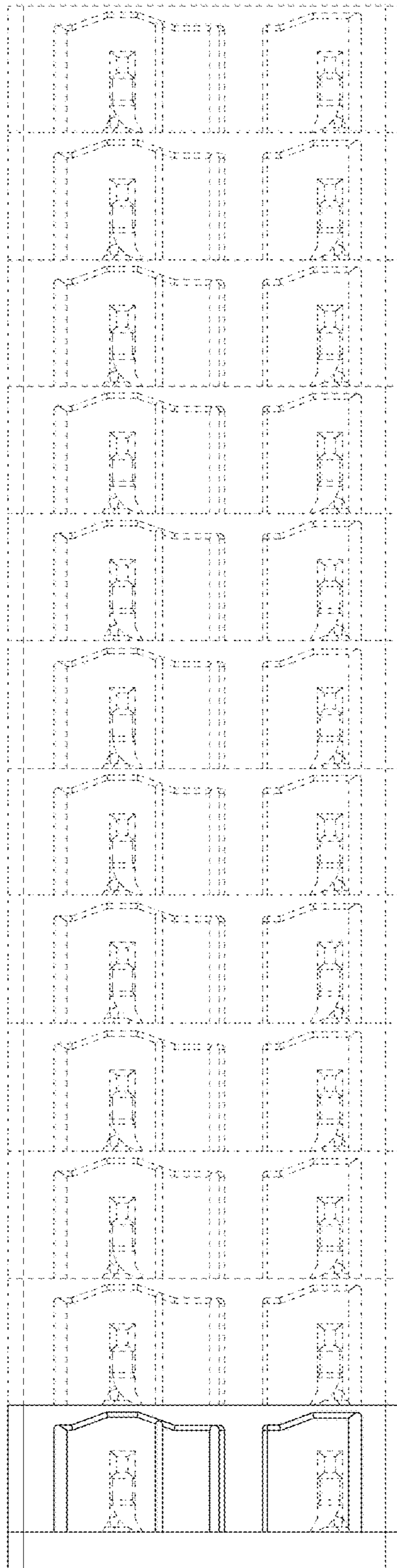


FIG. 7