



US00D826165S

(12) **United States Design Patent**  
**Mastel**

(10) **Patent No.:** **US D826,165 S**

(45) **Date of Patent:** **\*\* Aug. 21, 2018**

(54) **ELECTRICAL CONNECTOR**

(71) Applicant: **WAGO Verwaltungsgesellschaft mbH**,  
Minden (DE)

(72) Inventor: **Rudolf Mastel**, Porta Westfalica (DE)

(73) Assignee: **WAGO Verwaltungsgesellschaft mbH**,  
Minden (DE)

(\*\*) Term: **15 Years**

(21) Appl. No.: **29/597,523**

(22) Filed: **Mar. 17, 2017**

(30) **Foreign Application Priority Data**

Sep. 19, 2016 (EM) ..... 003383926-0001

(51) **LOC (11) Cl.** ..... **13-03**

(52) **U.S. Cl.**  
USPC ..... **D13/146; D13/147**

(58) **Field of Classification Search**

USPC ..... D13/123, 133, 146, 147, 154, 184, 199  
CPC ..... H01R 4/029; H01R 4/28; H01R 4/4836;  
H01R 4/4818; H01R 4/4845; H01R 9/22;  
H01R 9/24; H01R 9/2475; H01R 12/53;  
H01R 12/58; H01R 13/502

See application file for complete search history.

(56) **References Cited**

**U.S. PATENT DOCUMENTS**

D625,270 S \* 10/2010 Schafmeister ..... D13/147  
D756,301 S \* 5/2016 Wu ..... D13/133

D756,304 S \* 5/2016 Wu ..... D13/146  
D756,305 S \* 5/2016 Kollmann ..... D13/133  
9,437,940 B1 \* 9/2016 Rao ..... H01R 4/4836  
2015/0044897 A1 \* 2/2015 Wu ..... H01R 4/48  
439/352  
2016/0006176 A1 \* 1/2016 Kollmann ..... H01R 4/4836  
439/346  
2016/0204526 A1 \* 7/2016 Wu ..... H01R 4/4809  
439/816  
2016/0352028 A1 \* 12/2016 Meyer ..... H01R 4/4836

\* cited by examiner

*Primary Examiner* — Daniel Bui

(74) *Attorney, Agent, or Firm* — Muncy, Geissler, Olds &  
Lowe, P.C.

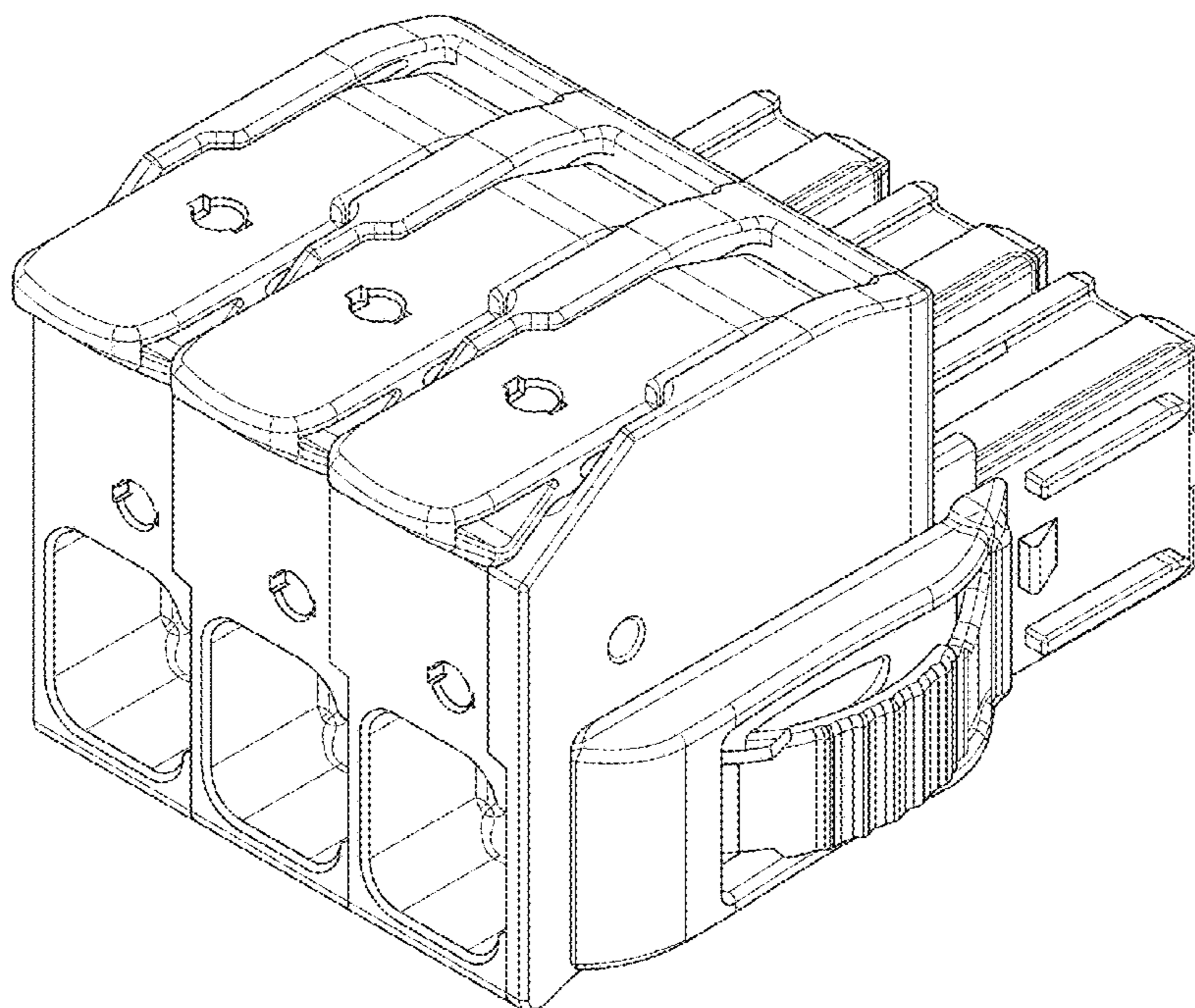
(57) **CLAIM**

The ornamental design for an electrical connector, as shown  
and described.

**DESCRIPTION**

FIG. 1 is a front perspective view of an electrical connector  
according to the present invention.  
FIG. 2 is a front view thereof.  
FIG. 3 is a rear view thereof.  
FIG. 4 is a left side view thereof.  
FIG. 5 is a right side view thereof.  
FIG. 6 is a top view thereof; and,  
FIG. 7 is a bottom view thereof.  
The evenly-spaced broken lines illustrate environment that  
does not form part of the claim.

**1 Claim, 7 Drawing Sheets**



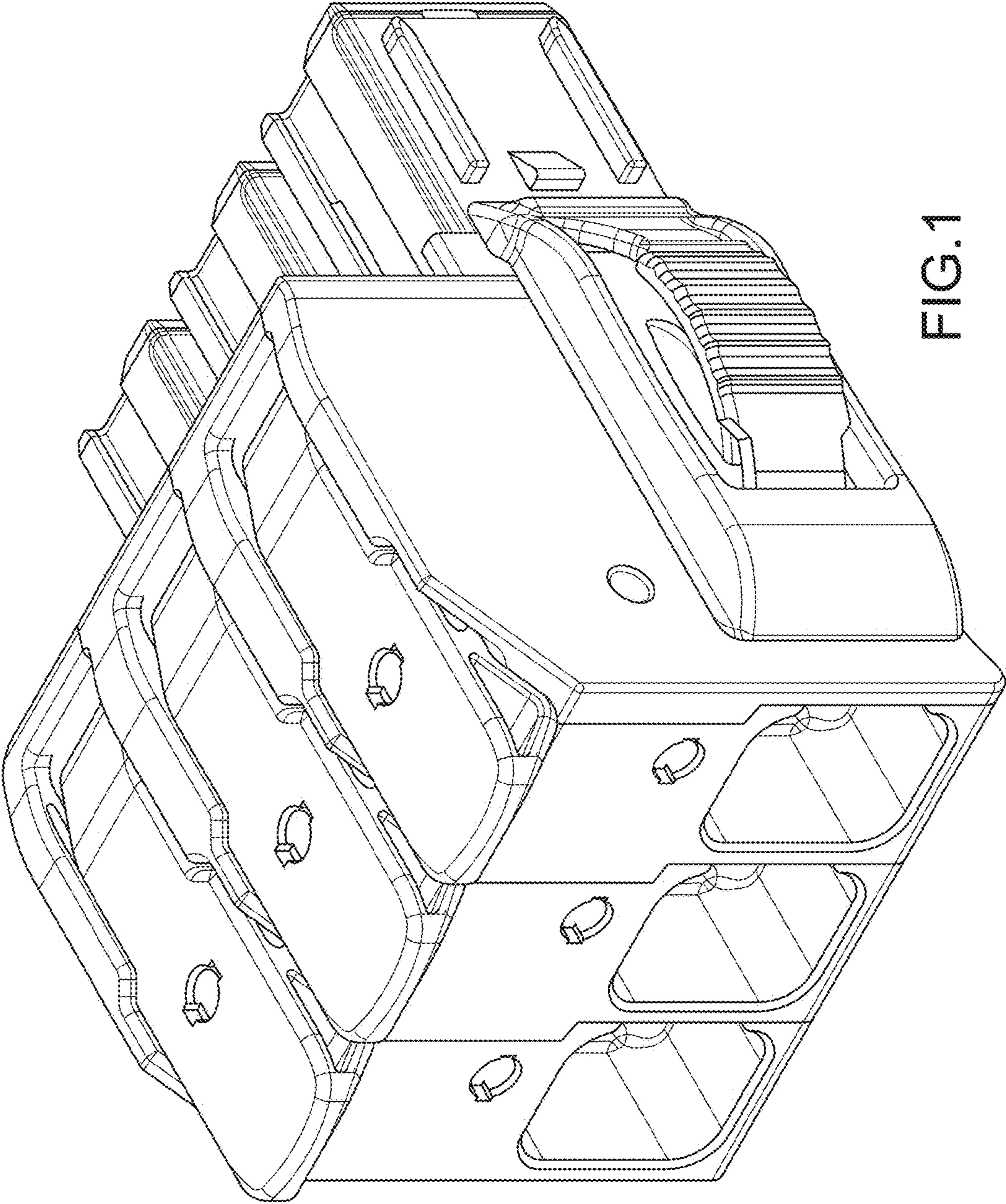


FIG.1

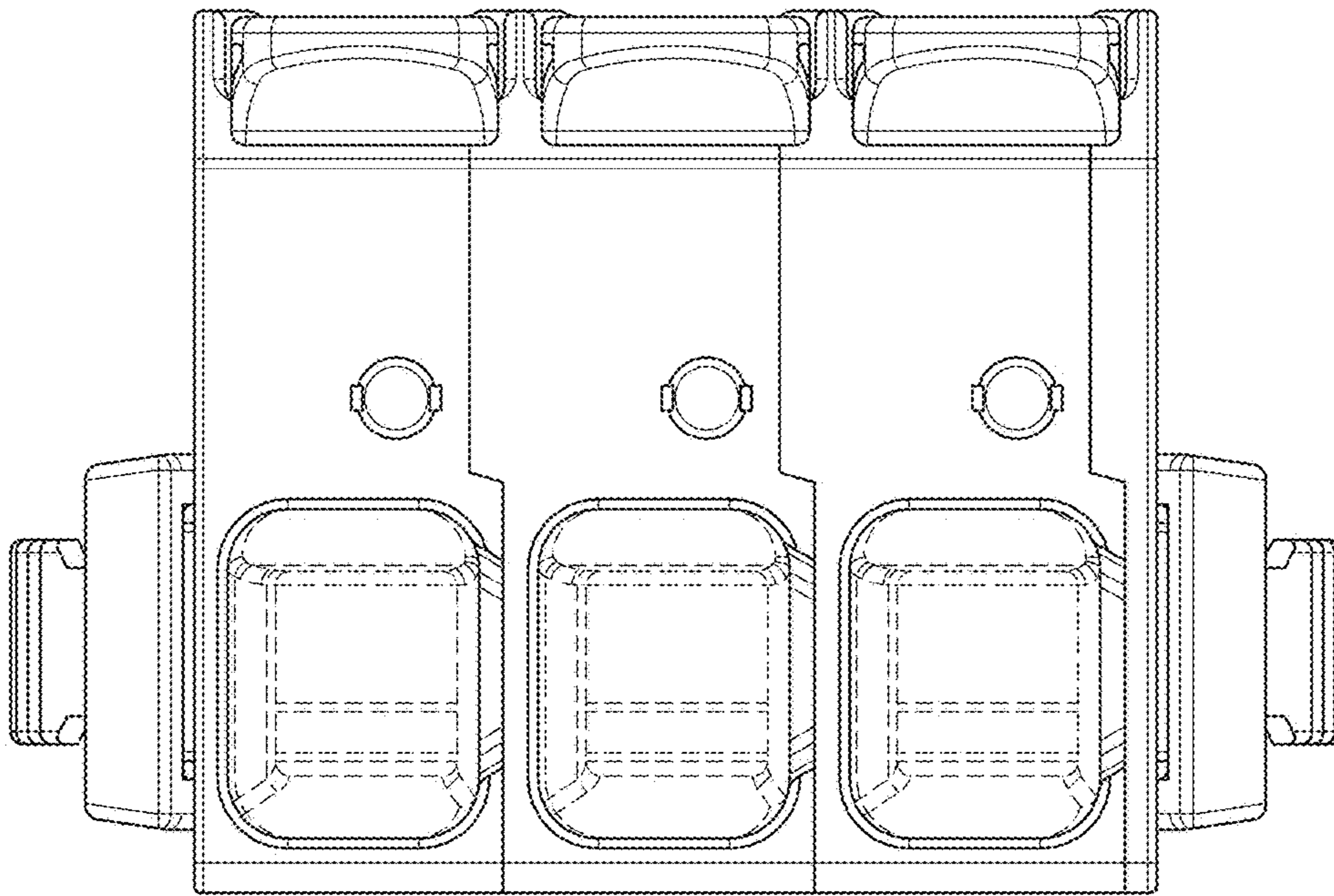


FIG.2



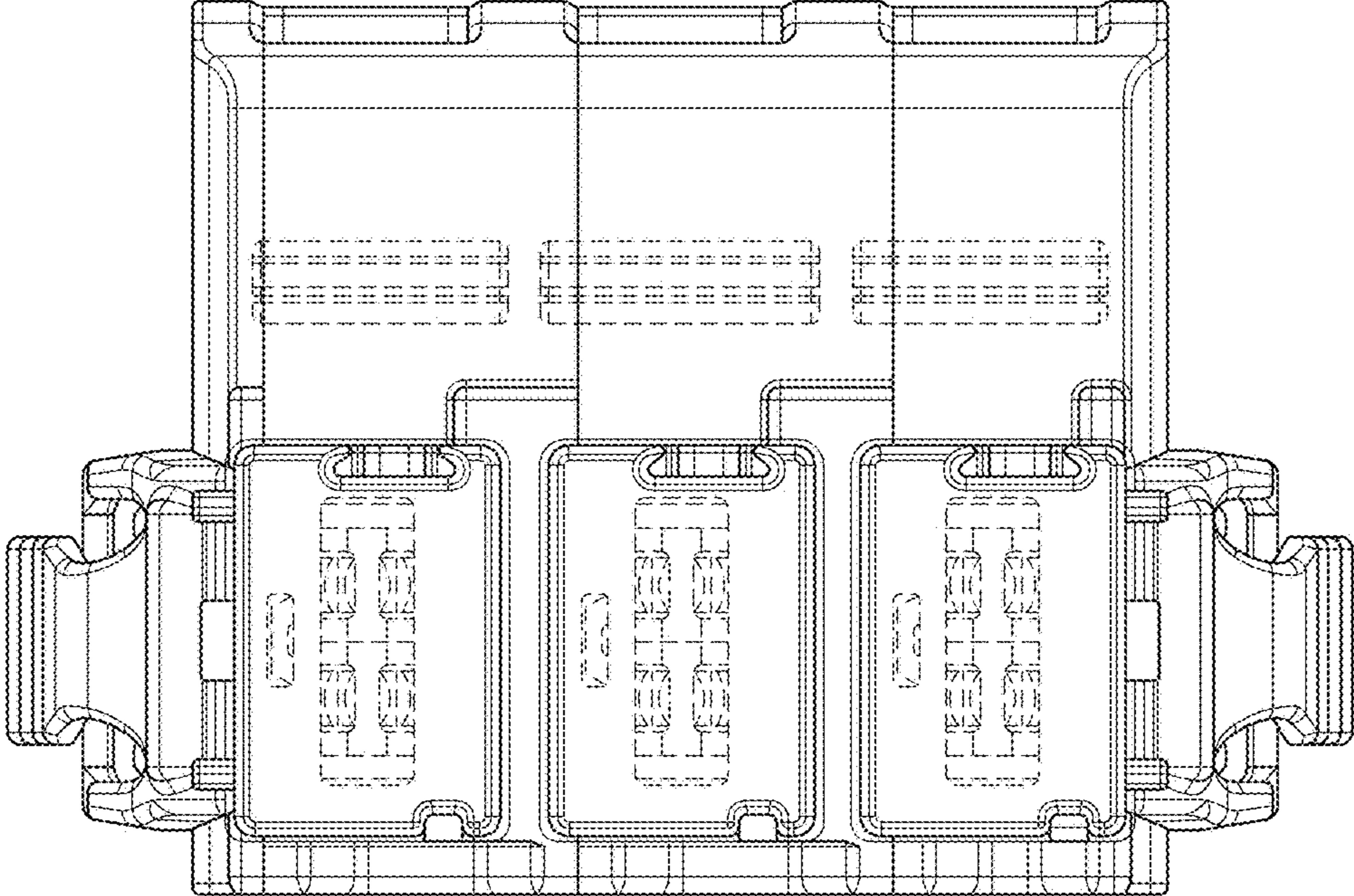


FIG.3

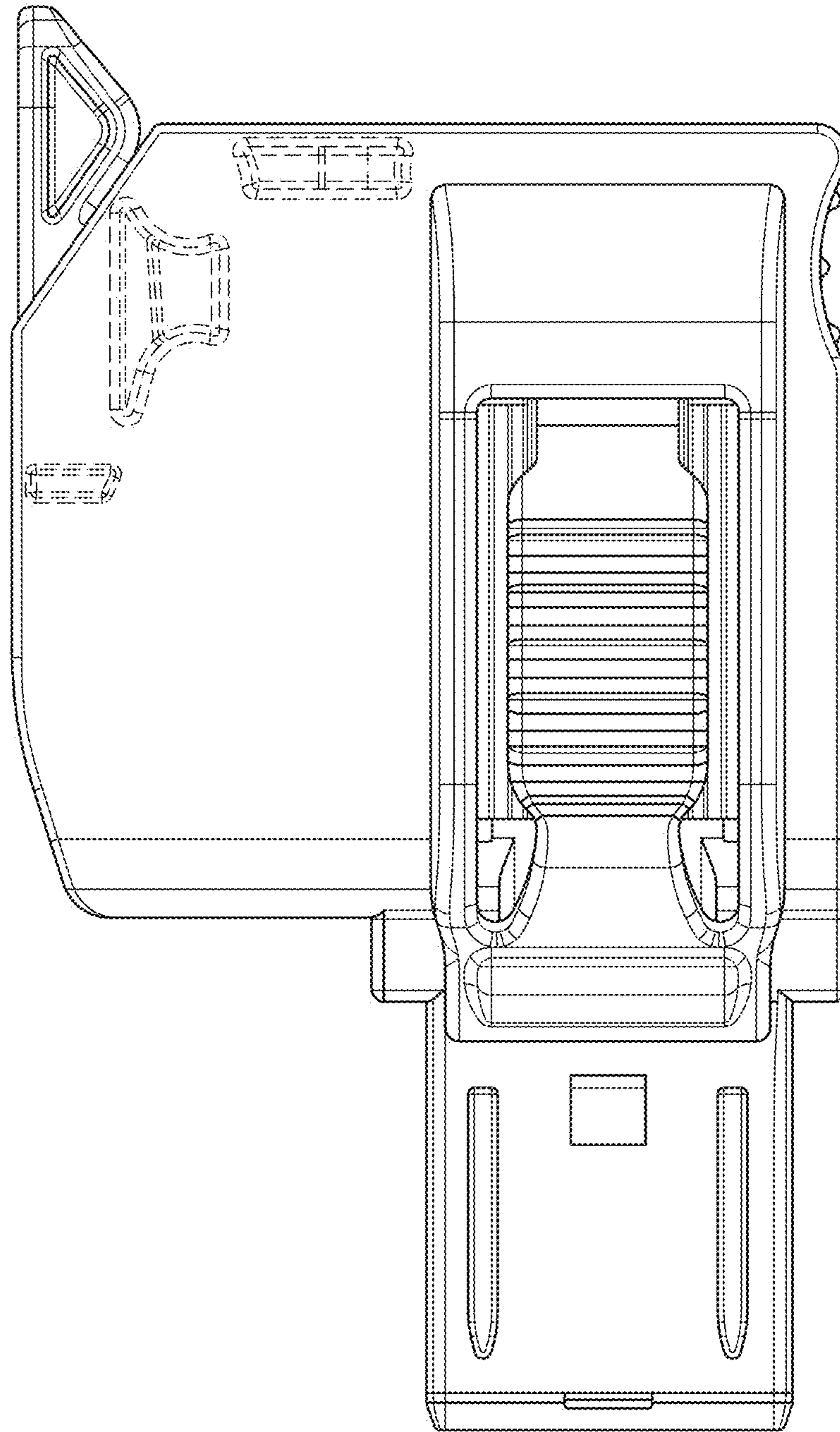


FIG.4

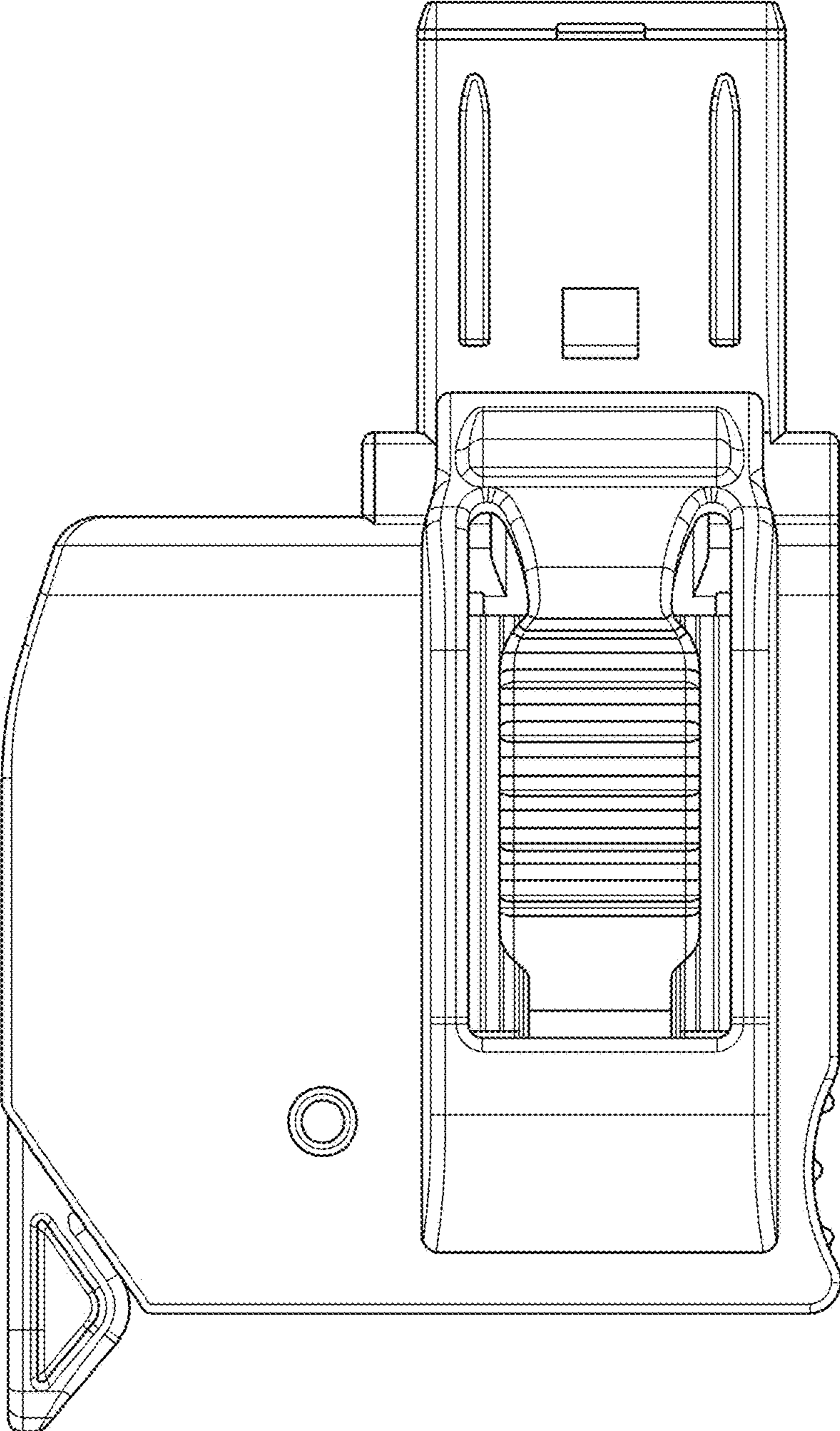


FIG. 5

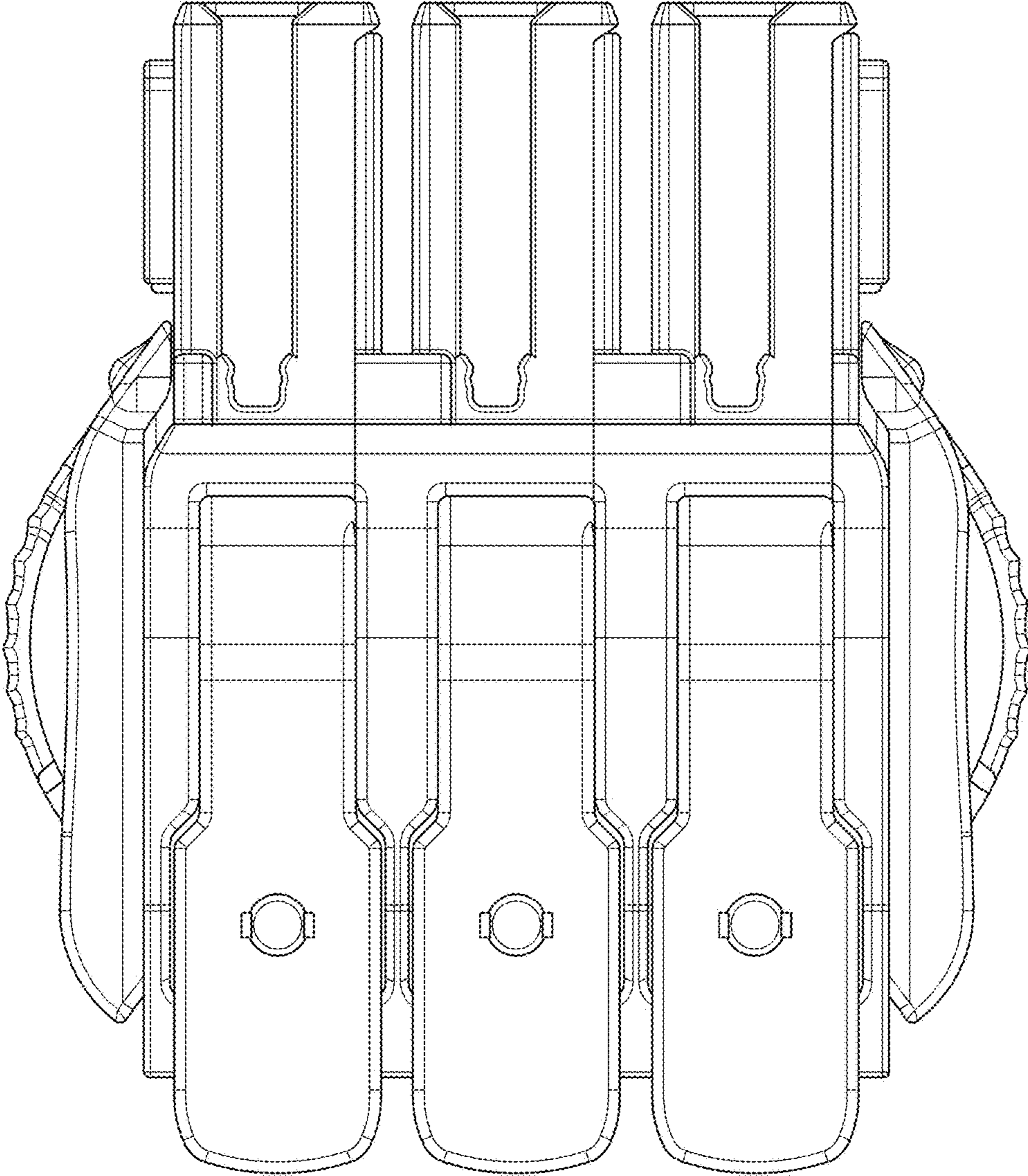


FIG.6



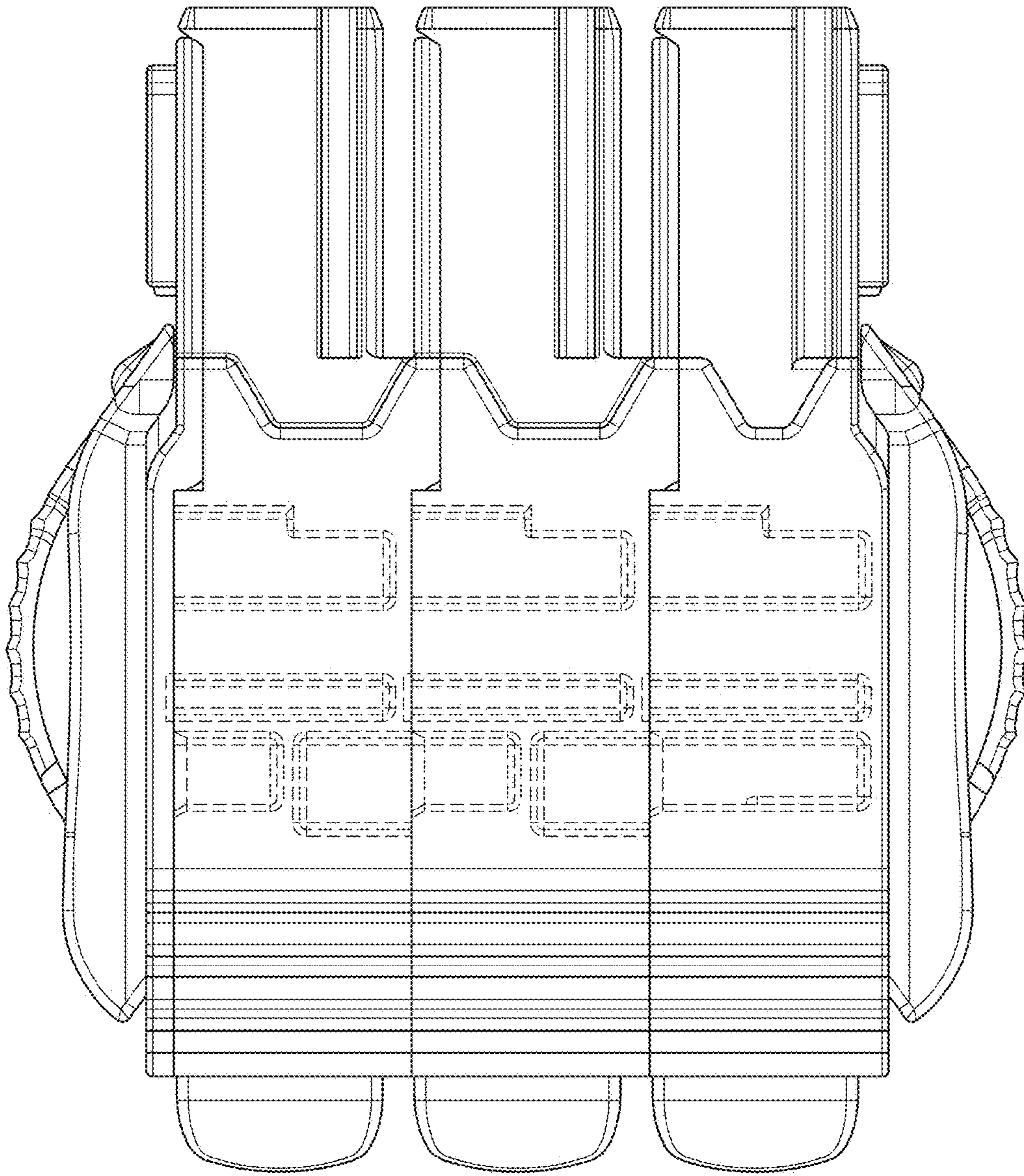


FIG.7