



US00D826164S

(12) **United States Design Patent** (10) **Patent No.:** **US D826,164 S**
Mastel (45) **Date of Patent:** **** Aug. 21, 2018**

(54) **ELECTRICAL CONNECTOR**

(71) Applicant: **WAGO Verwaltungsgesellschaft mbH**,
Minden (DE)

(72) Inventor: **Rudolf Mastel**, Porta Westfalica (DE)

(73) Assignee: **WAGO Verwaltungsgesellschaft mbH**,
Minden (DE)

(**) Term: **15 Years**

(21) Appl. No.: **29/597,502**

(22) Filed: **Mar. 17, 2017**

(30) **Foreign Application Priority Data**

Sep. 19, 2016 (EM) 003383926-0006

(51) **LOC (11) Cl.** **13-03**

(52) **U.S. Cl.**
USPC **D13/146; D13/147**

(58) **Field of Classification Search**

USPC D13/123, 133, 146, 147, 154, 184, 199
CPC H01R 4/029; H01R 4/28; H01R 4/4836;
H01R 4/4818; H01R 4/4845; H01R 9/22;
H01R 9/24; H01R 9/2475; H01R 12/53;
H01R 12/58; H01R 13/502; H01R 4/48;
H01R 13/02; H01R 13/2407; H01R
13/52; H01R 13/62; H01R 13/629; H01R
13/633; H01R 13/639

See application file for complete search history.

(56) **References Cited**

U.S. PATENT DOCUMENTS

D625,270 S * 10/2010 Schafmeister D13/147
D756,301 S * 5/2016 Wu D13/133

D756,304 S * 5/2016 Wu D13/146
D756,305 S * 5/2016 Kollmann D13/133
9,437,940 B1 * 9/2016 Rao H01R 4/4836
2015/0044897 A1 * 2/2015 Wu H01R 4/48
439/352
2016/0006176 A1 * 1/2016 Kollmann H01R 4/4836
439/346
2016/0204526 A1 * 7/2016 Wu H01R 4/4809
439/816
2016/0352028 A1 * 12/2016 Meyer H01R 4/4836

* cited by examiner

Primary Examiner — Daniel Bui

(74) *Attorney, Agent, or Firm* — Muncy, Geissler, Olds &
Lowe, P.C.

(57) **CLAIM**

The ornamental design for an electrical connector, as shown
and described.

DESCRIPTION

FIG. 1 is a front perspective view of an electrical connector
according to the present invention.

FIG. 2 is a front view thereof.

FIG. 3 is a rear view thereof.

FIG. 4 is a left side view thereof.

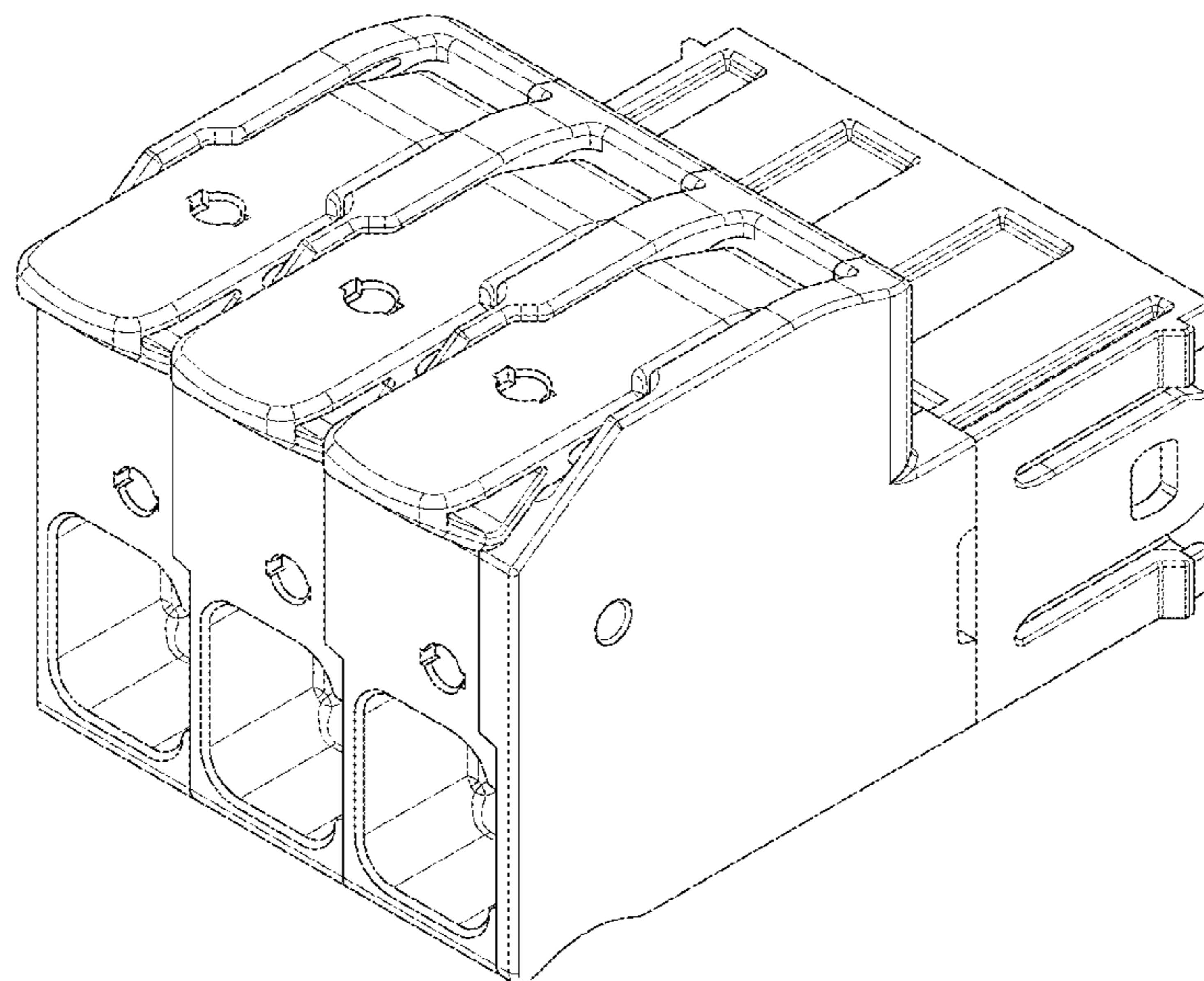
FIG. 5 is a right side view thereof.

FIG. 6 is a top view thereof; and,

FIG. 7 is a bottom view thereof.

The even-broken lines in FIGS. 2, 3, 4 and 7 represent
unclaimed environment only and forms no part of the
claimed design.

1 Claim, 7 Drawing Sheets



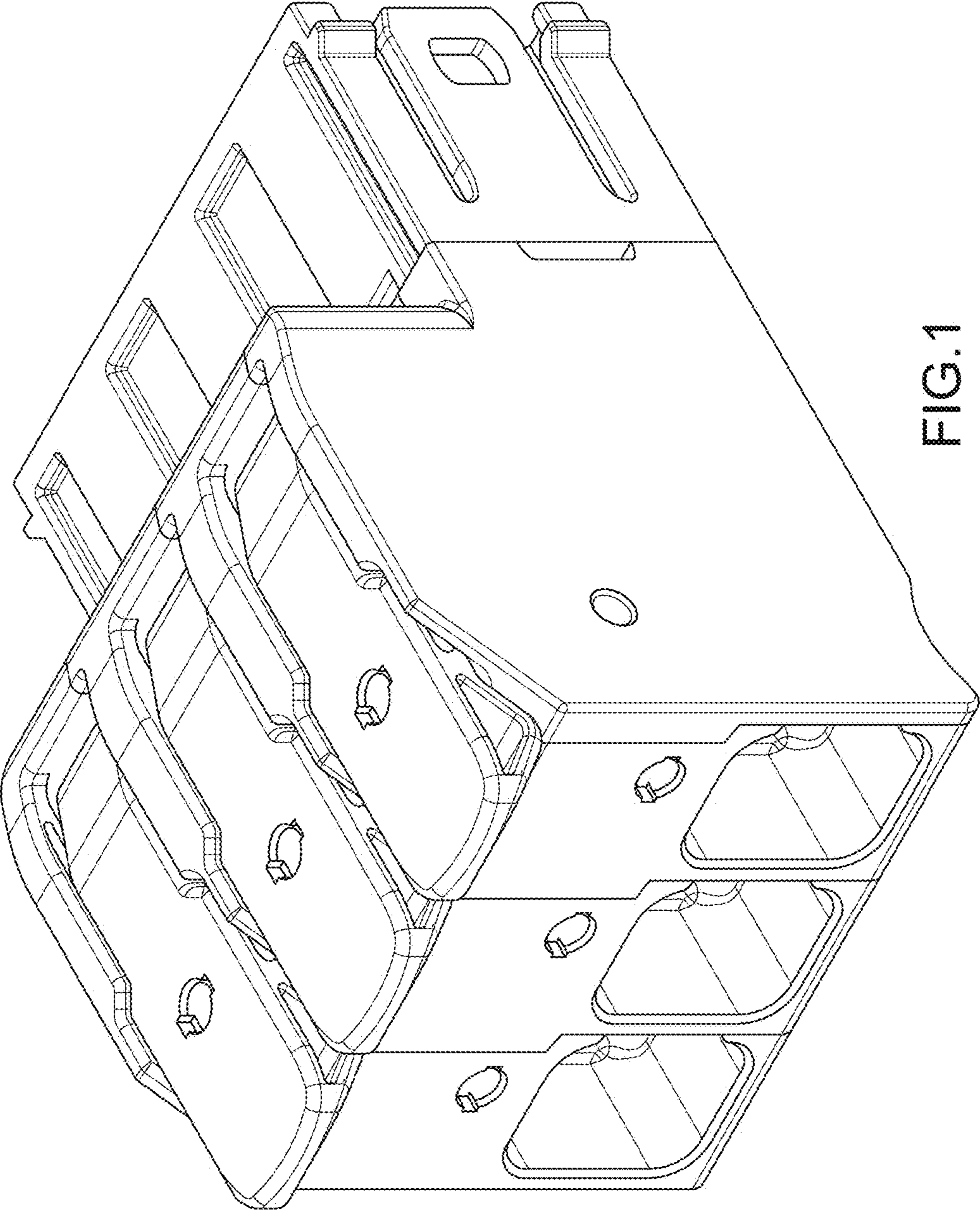


FIG.1

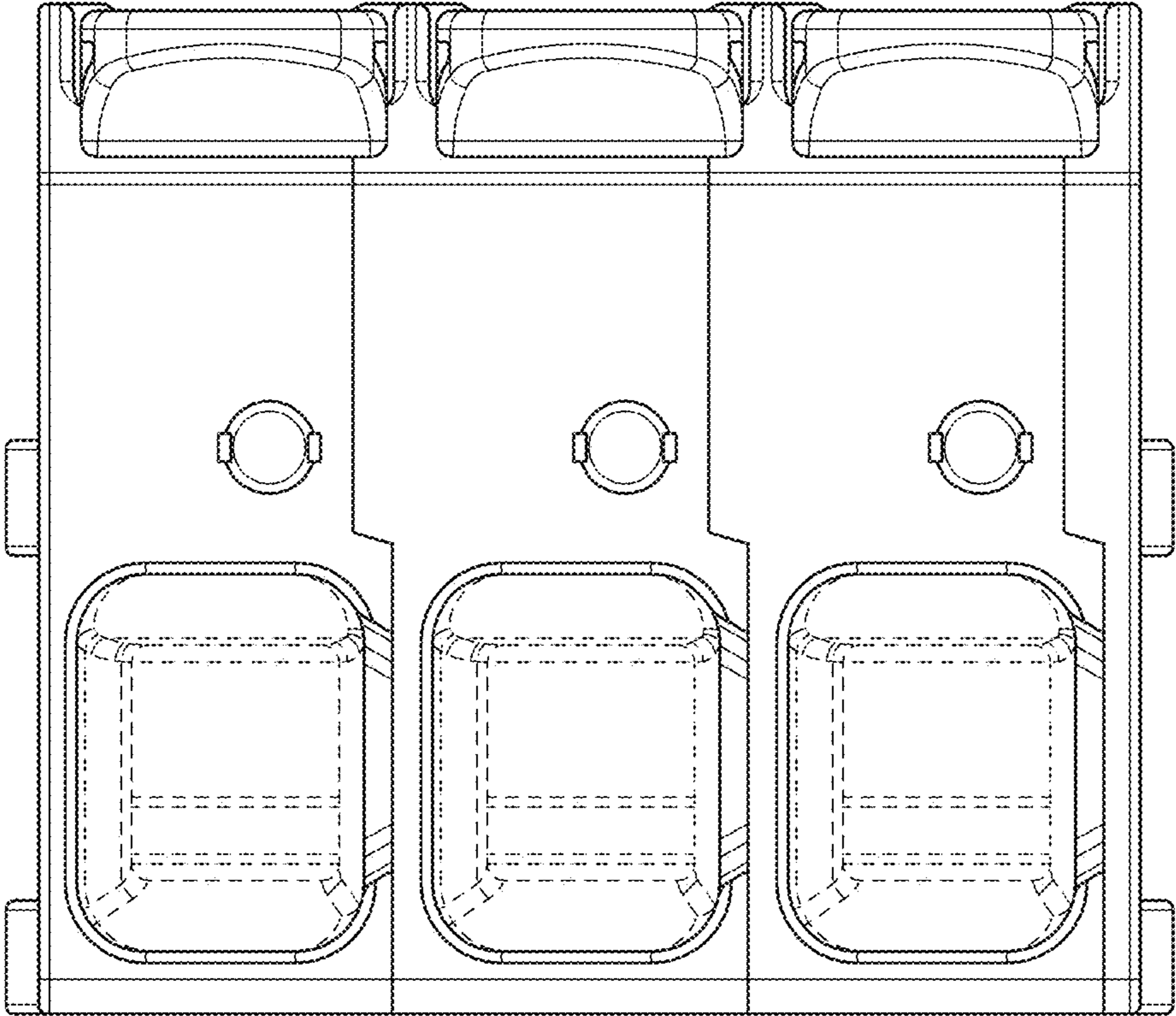


FIG.2

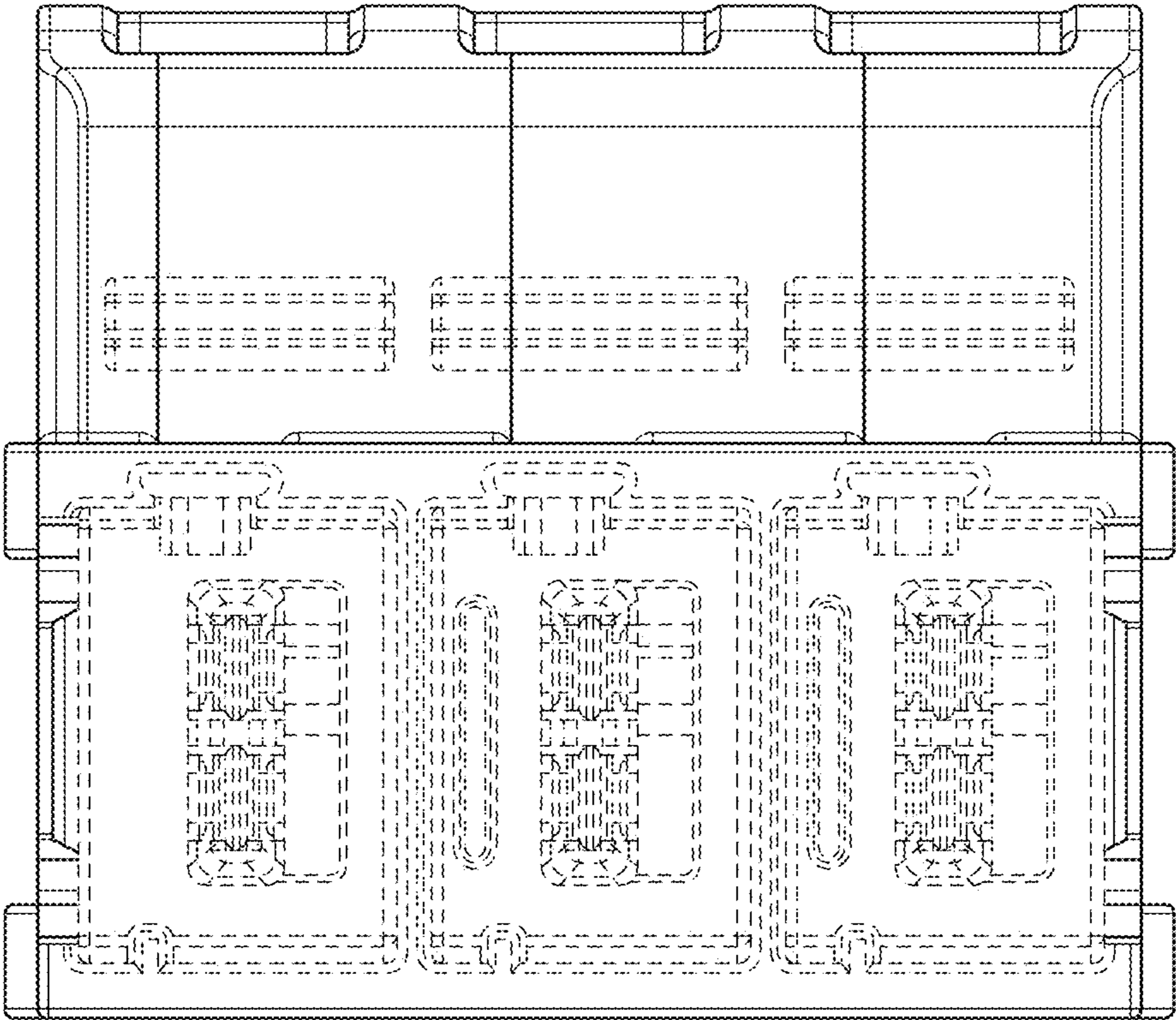


FIG.3

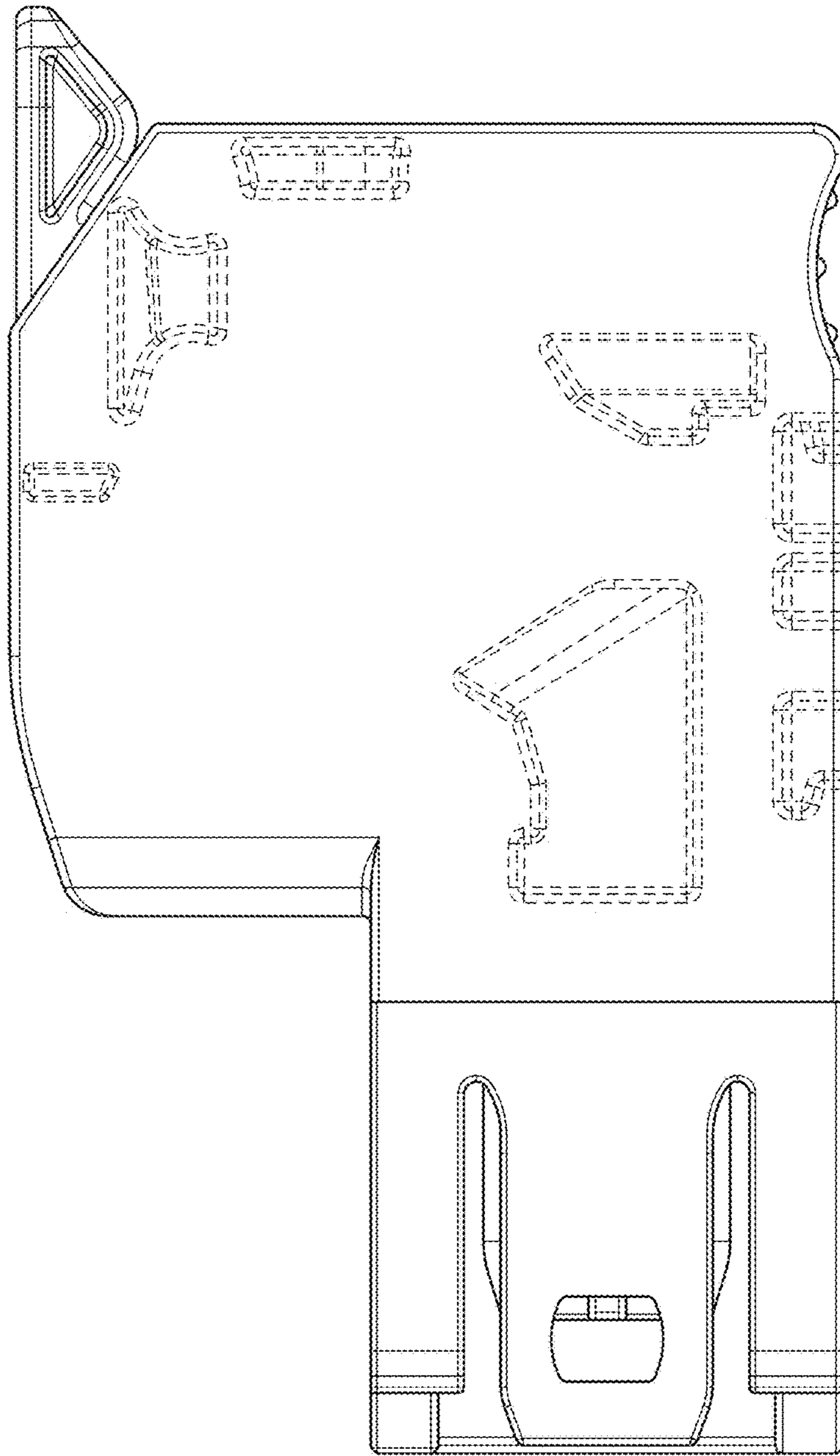


FIG.4

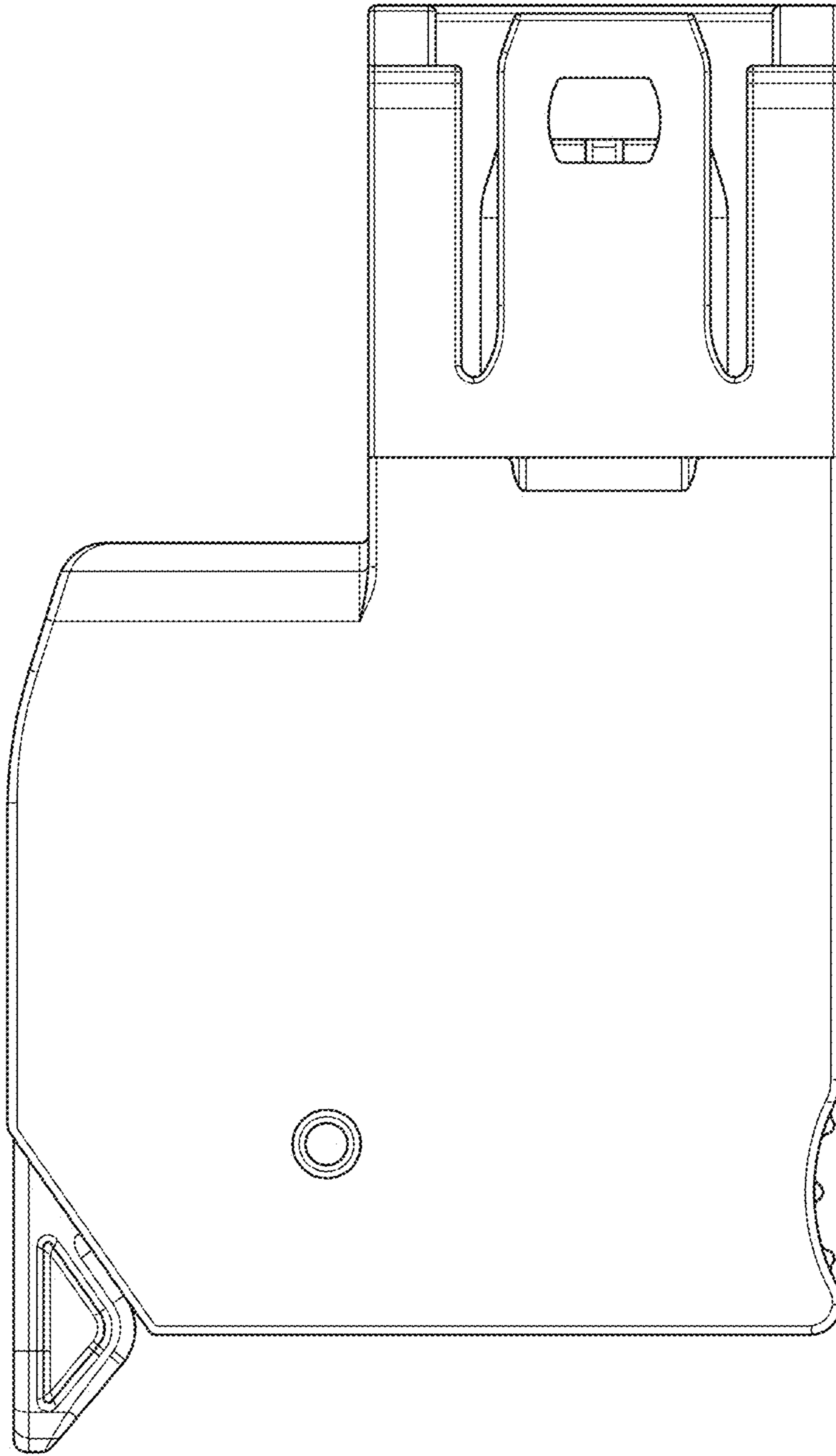


FIG. 5

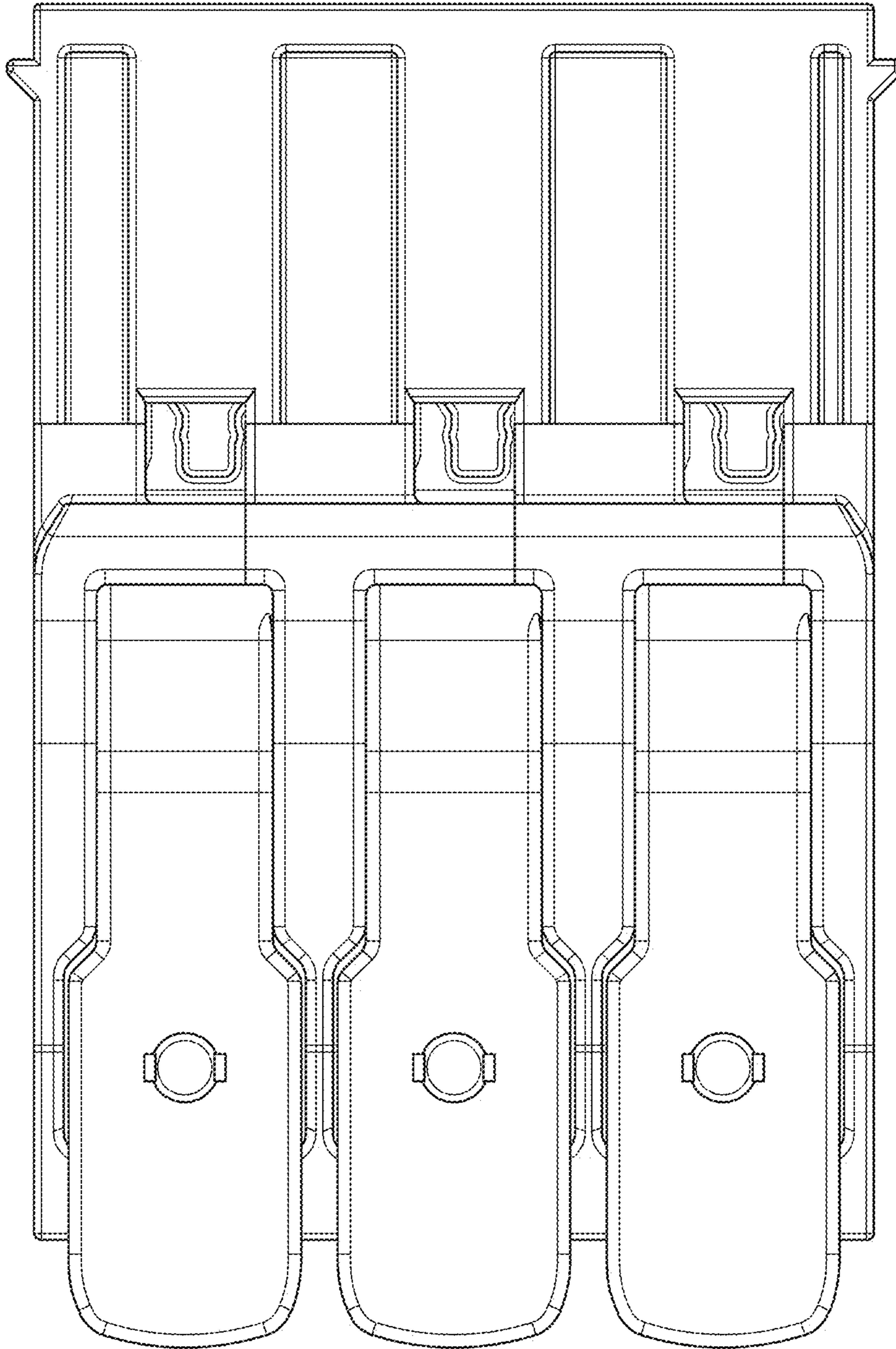


FIG.6

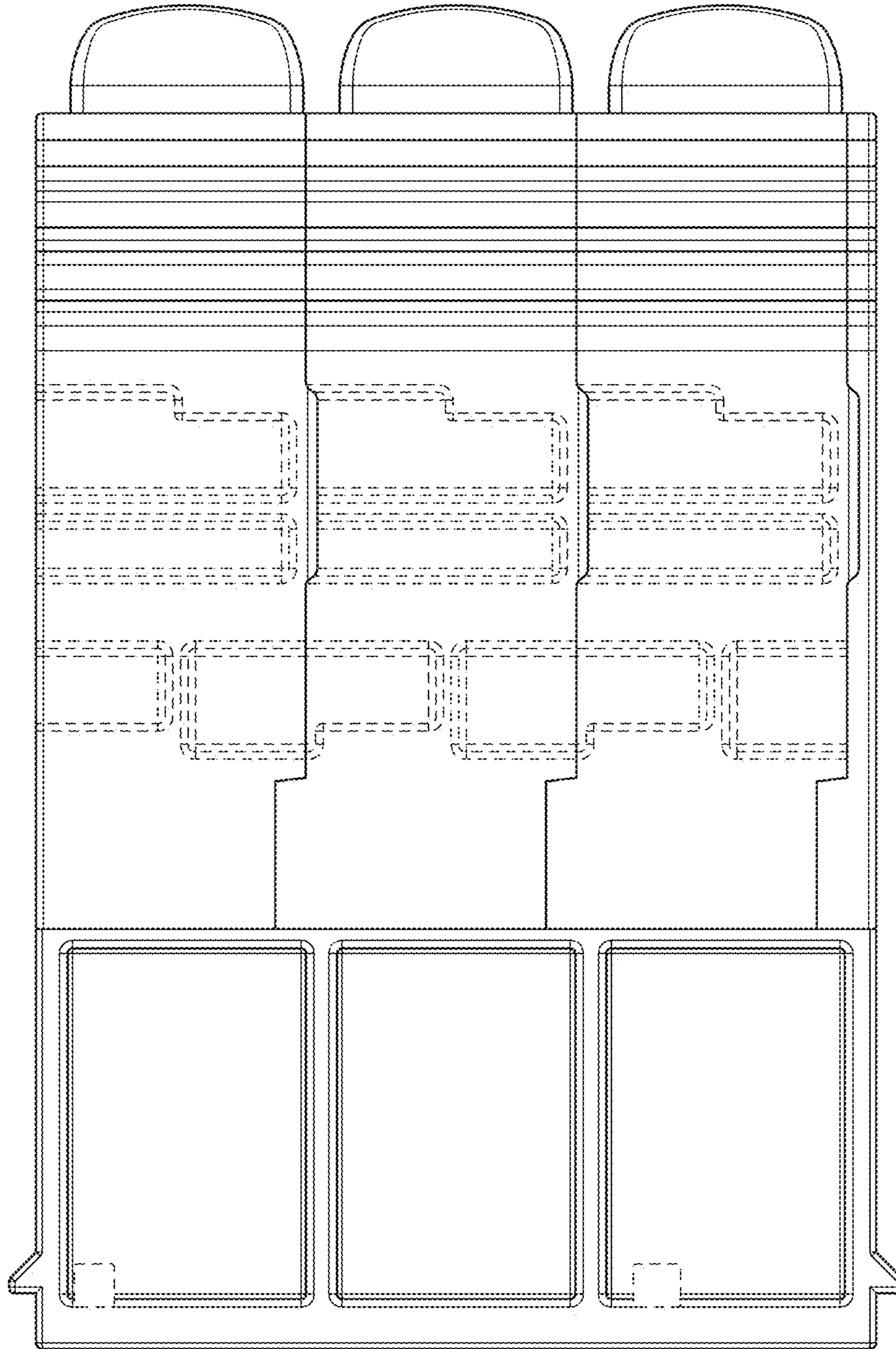


FIG.7