



US00D826163S

(12) **United States Design Patent**  
**Xu**

(10) **Patent No.:** **US D826,163 S**

(45) **Date of Patent:** **\*\* Aug. 21, 2018**

(54) **SOCKET**

(71) Applicant: **Guangdong BESTEK E-commerce Co., Ltd.**, Shenzhen (CN)

(72) Inventor: **Xinhua Xu**, Shenzhen (CN)

(73) Assignee: **GUANGDONG BESTEK E-COMMERCE CO., LTD.**, Shenzhen (CN)

(\*\*) Term: **15 Years**

(21) Appl. No.: **29/617,067**

(22) Filed: **Sep. 11, 2017**

(51) **LOC (11) Cl.** ..... **13-03**

(52) **U.S. Cl.**  
USPC ..... **D13/139.8**

(58) **Field of Classification Search**  
USPC ..... D13/108, 110, 123, 133, 137.1–137.4,  
D13/138.1–138.2, 139.1–139.8, 152–154,  
D13/146, 147, 156, 158, 177;  
D8/350–353; D14/433  
CPC ..... H01R 13/04; H01R 25/00; H01R 25/006;  
H01R 11/00; H01R 9/00  
See application file for complete search history.

(56) **References Cited**

**U.S. PATENT DOCUMENTS**

D379,796 S \* 6/1997 Bagga ..... D13/139.4  
D671,495 S \* 11/2012 Zanoni ..... D13/139.1  
D717,732 S \* 11/2014 Byrne ..... D13/137.1  
D735,138 S \* 7/2015 Miniger ..... D13/139.7

D736,709 S \* 8/2015 Byrne ..... D13/137.1  
D793,398 S \* 8/2017 Feldstein ..... D14/433  
D807,298 S \* 1/2018 Xu ..... D13/139.8  
D807,831 S \* 1/2018 Xu ..... D13/139.8

**OTHER PUBLICATIONS**

Amazon.com: BESTEK Compact Power Strip Travel Cube. Published Mar. 26, 2018. Retrieved from the internet at <<https://www.amazon.com/BESTEK-3-Outlet-Mountable-Detachable-Extension/dp/B076WP4BQS/>>, Apr. 6, 2018. 1 page. (Year: 2018).\*

\* cited by examiner

*Primary Examiner* — Rosemary K Tarcza

*Assistant Examiner* — Christy M Nemeth

(57) **CLAIM**

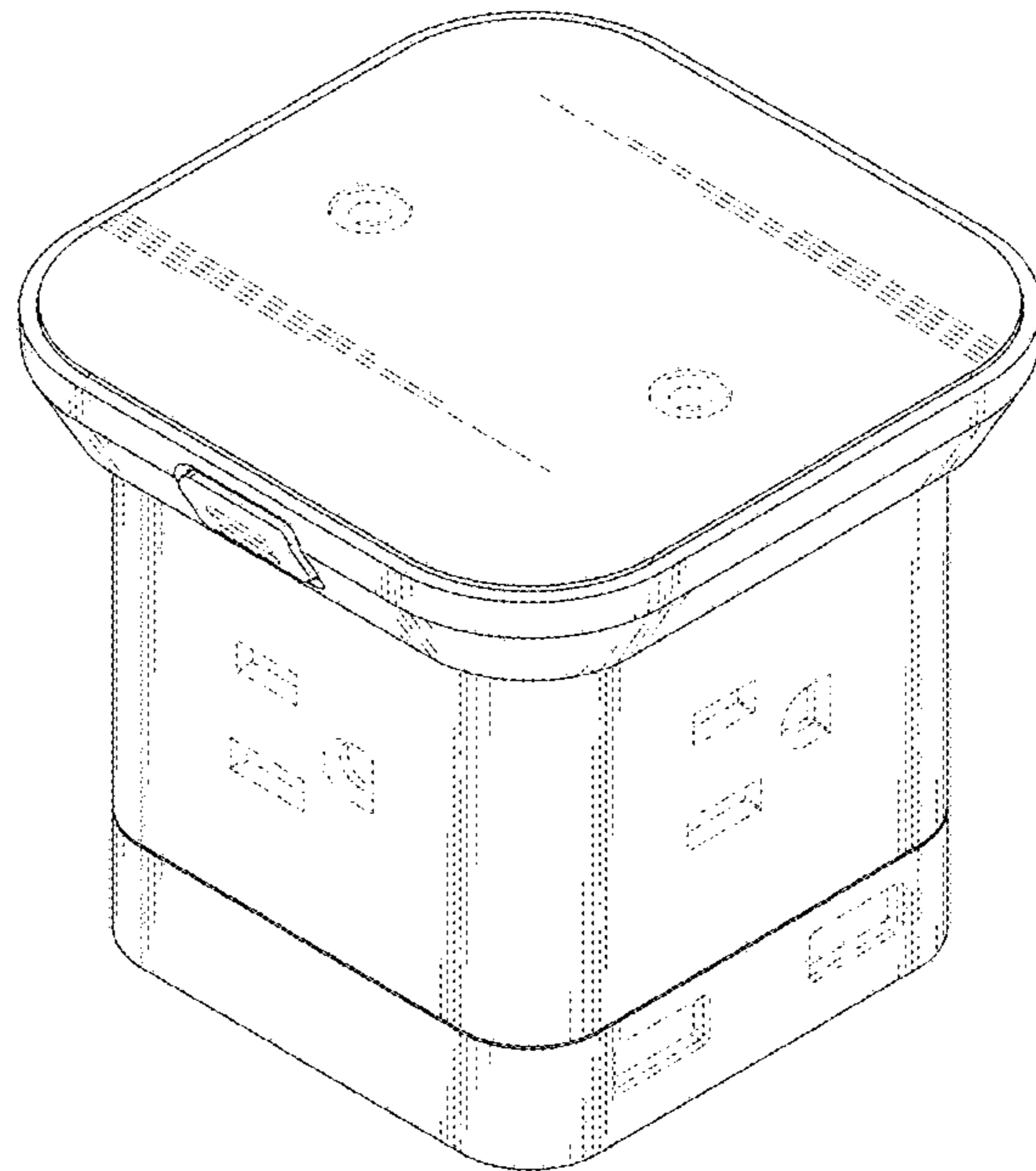
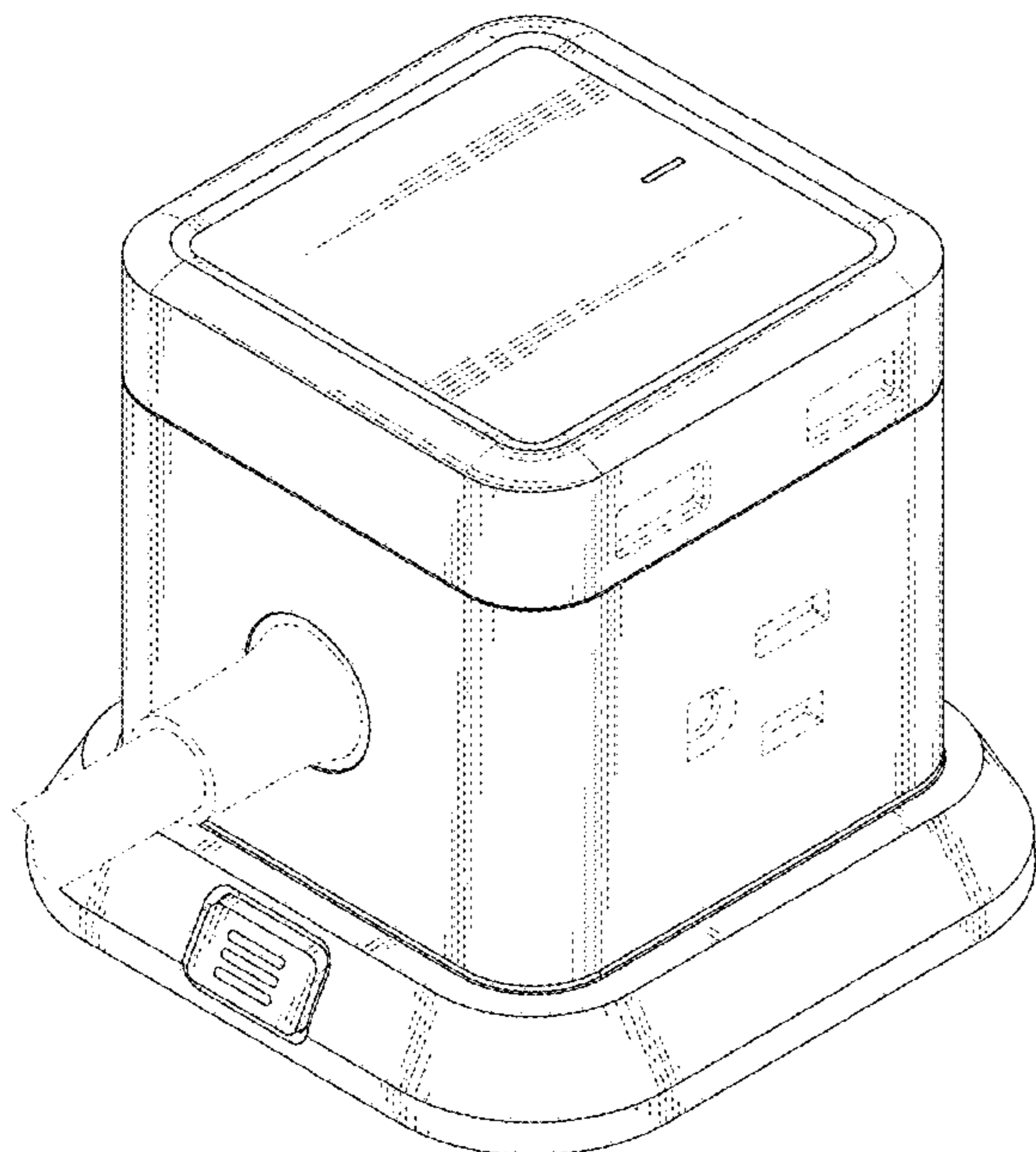
The ornamental design for a socket, as shown and described.

**DESCRIPTION**

FIG. 1 is a top-rear-left side perspective view of a socket showing my new design;  
FIG. 2 is a bottom-front-left side perspective view thereof;  
FIG. 3 is a front elevational view thereof;  
FIG. 4 is a rear elevational view thereof;  
FIG. 5 is a left side elevational view thereof;  
FIG. 6 is a right side elevational view thereof;  
FIG. 7 is a top plan view thereof; and,  
FIG. 8 is a bottom plan view thereof.

The broken lines in the drawings are for the purpose of illustrating portions of the socket that form no part of the claimed design.

**1 Claim, 8 Drawing Sheets**



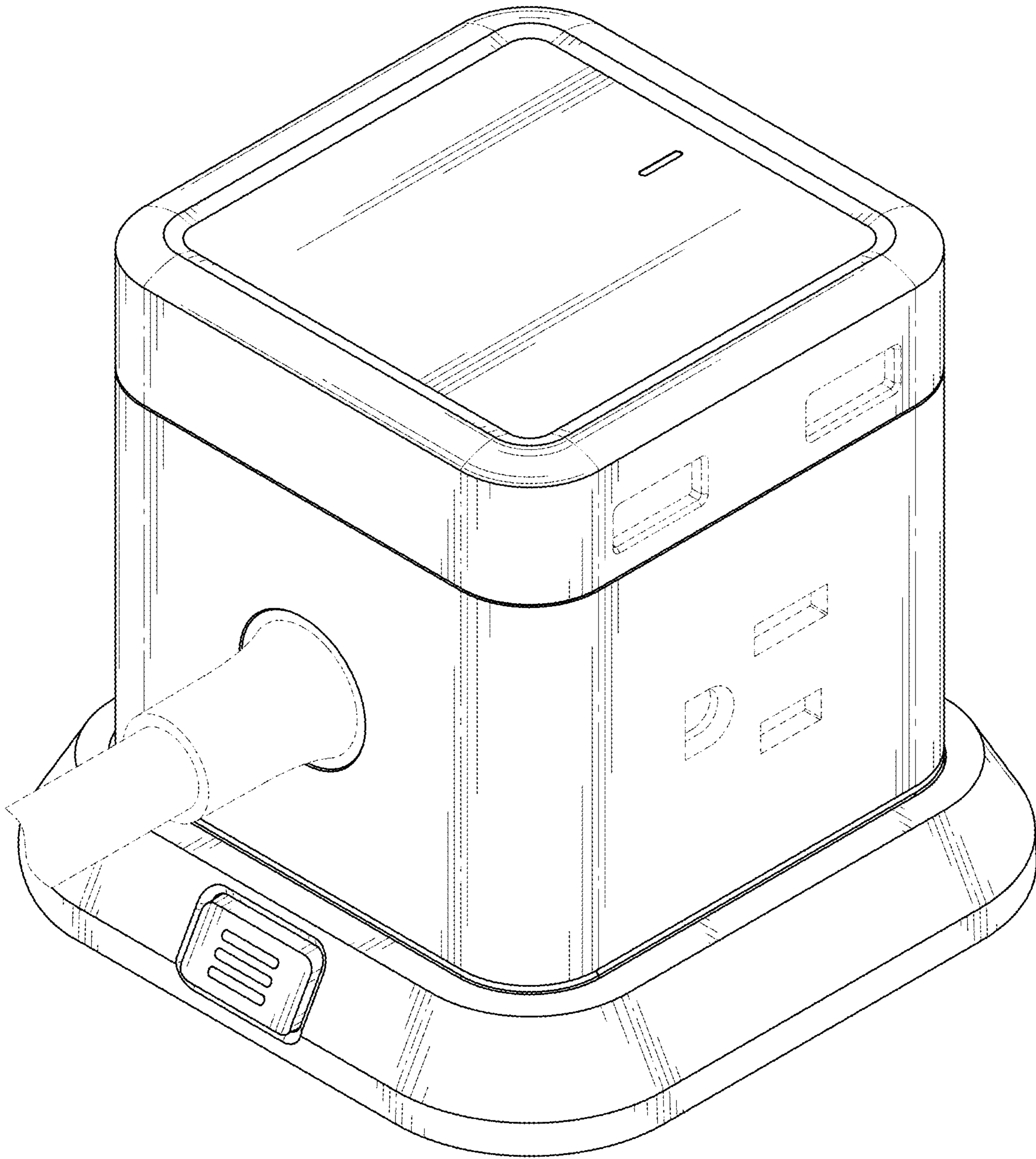


FIG. 1

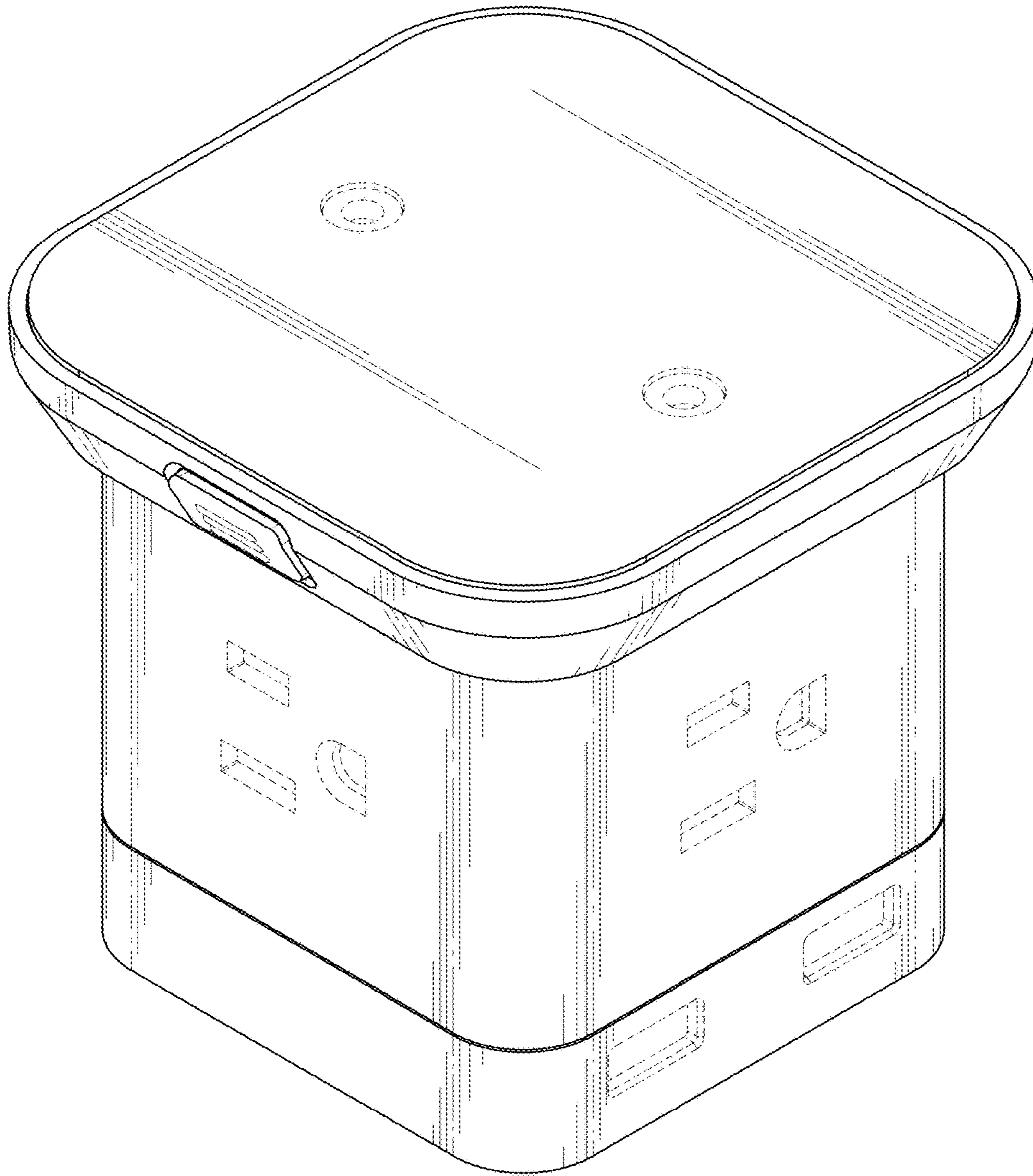


FIG. 2

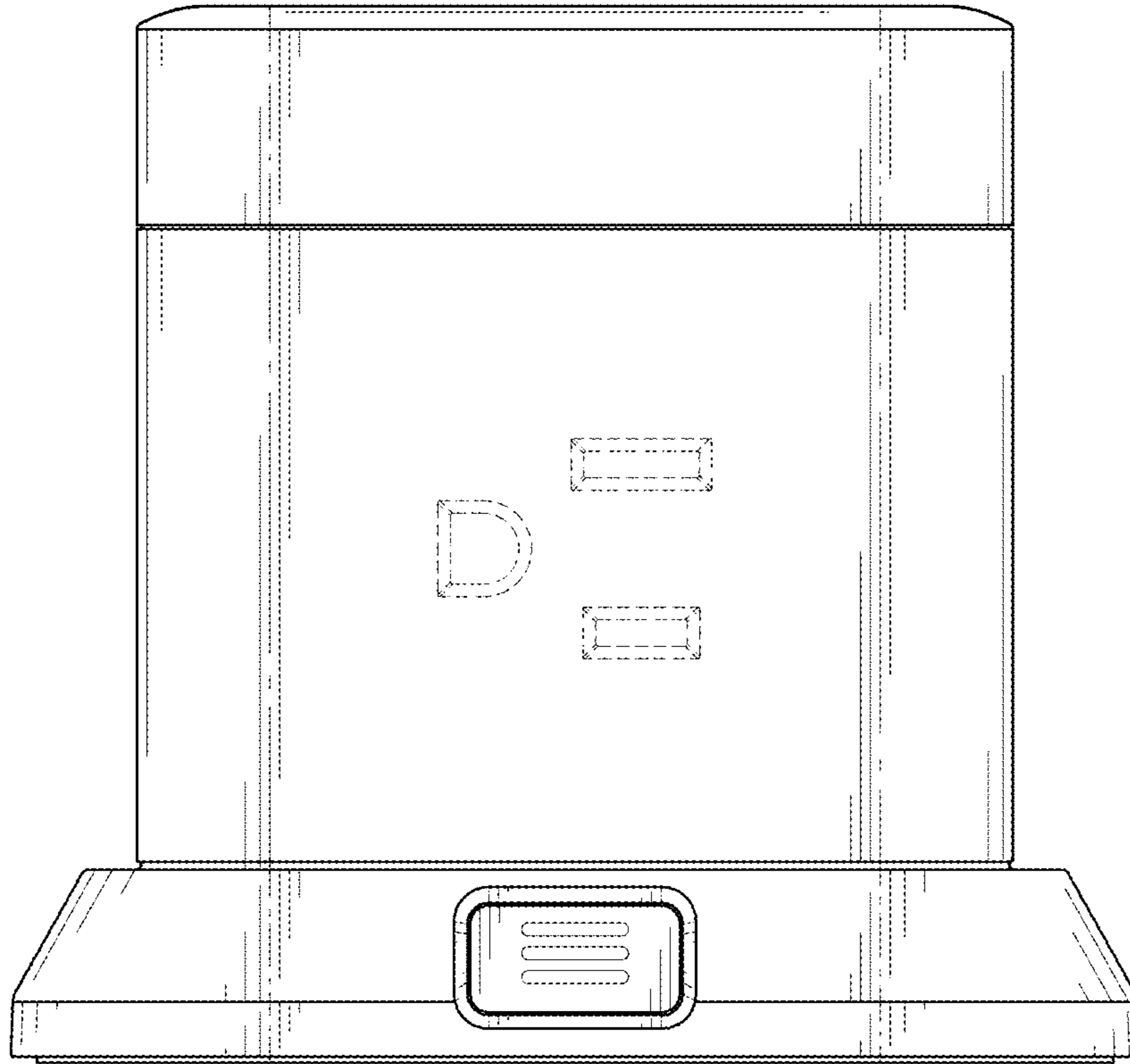


FIG. 3

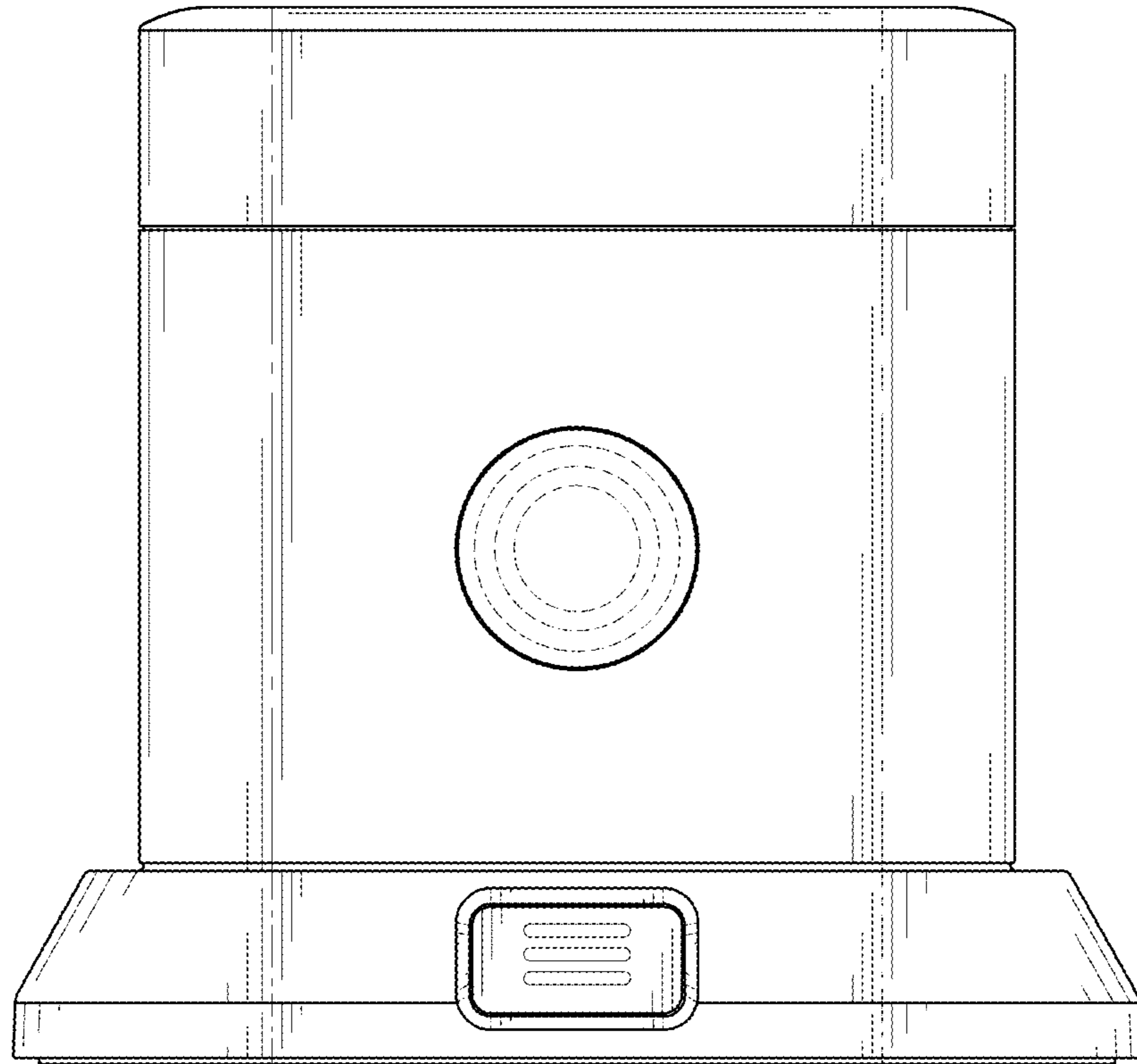


FIG. 4

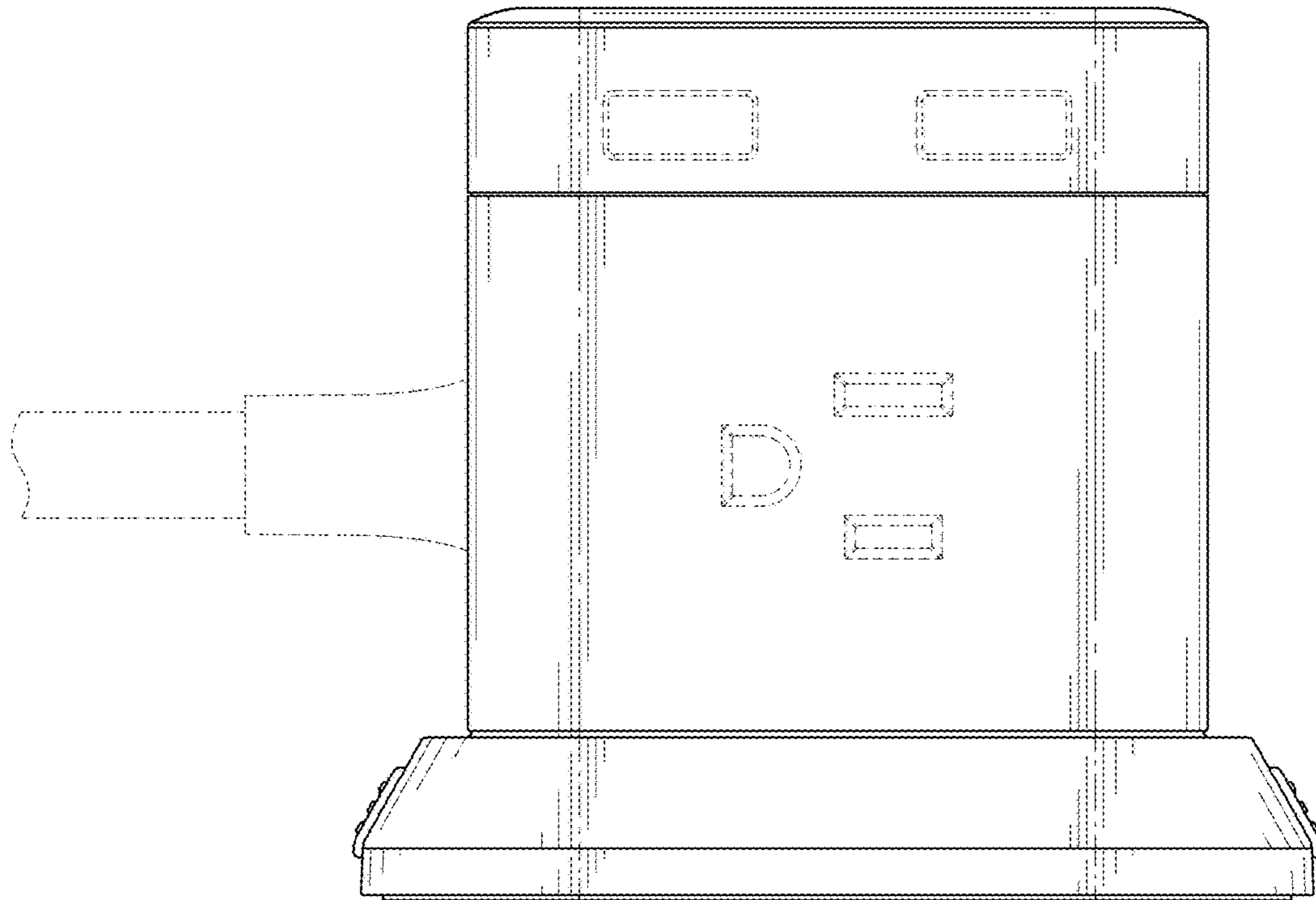


FIG. 5

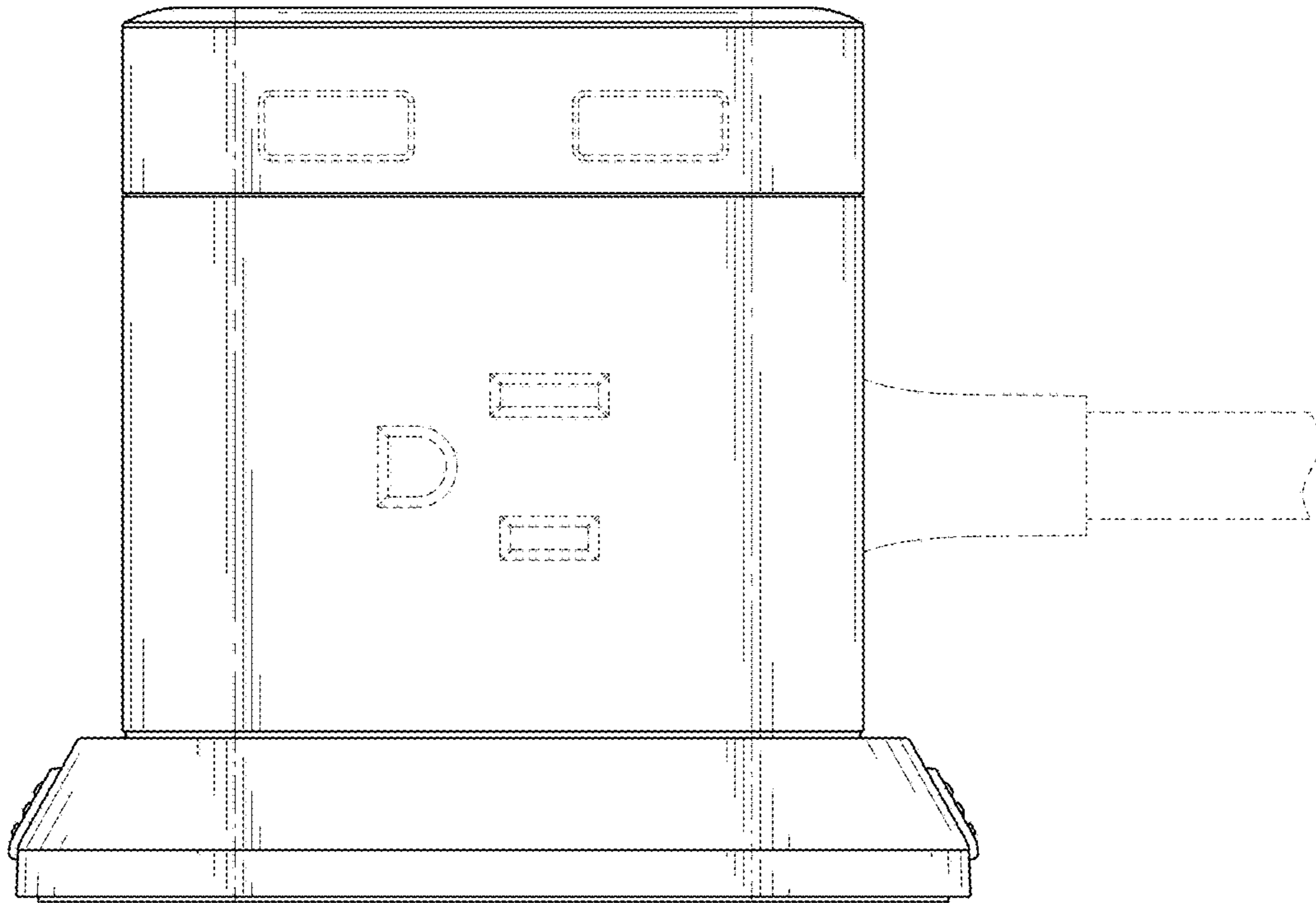


FIG. 6

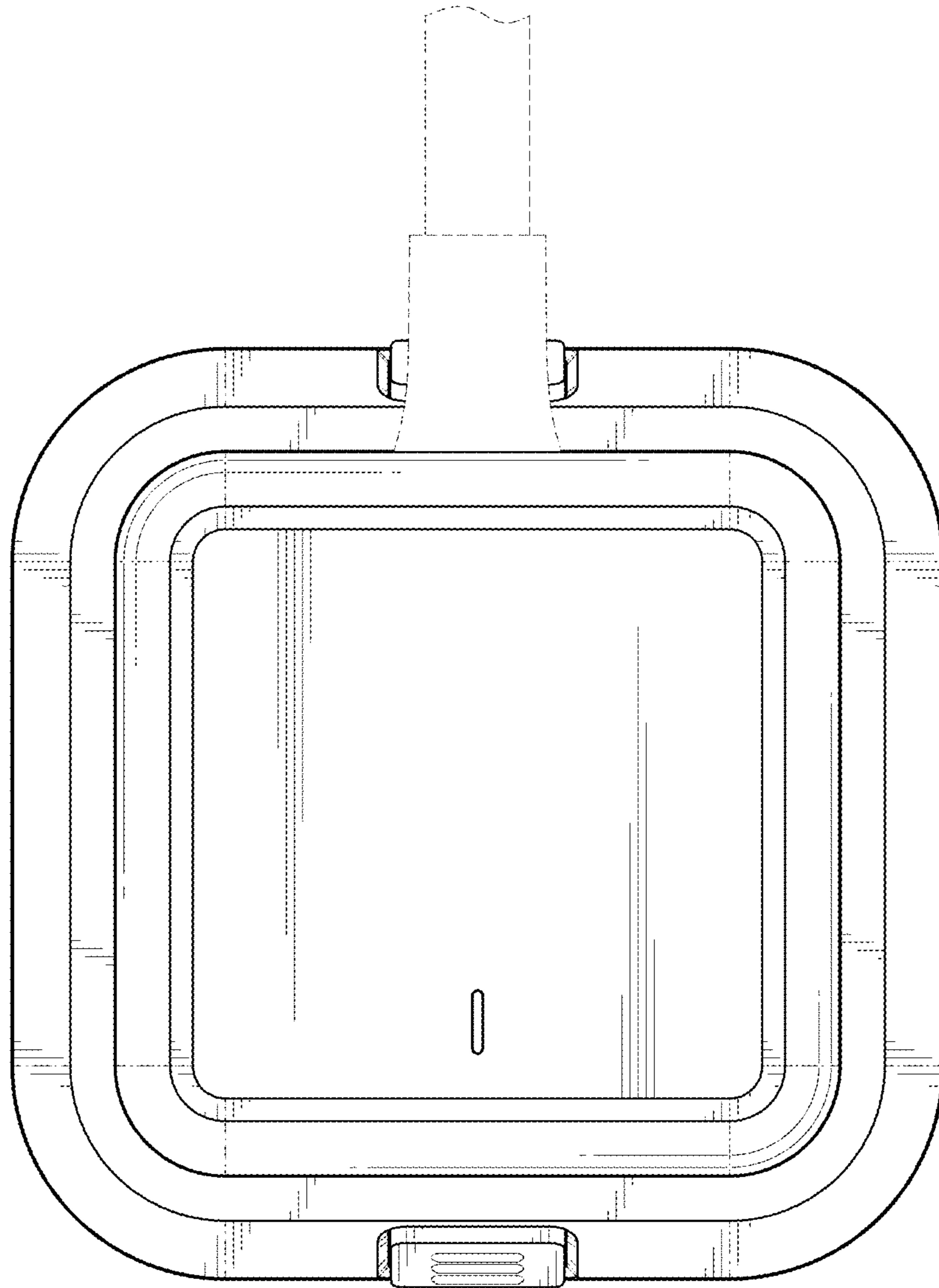


FIG. 7



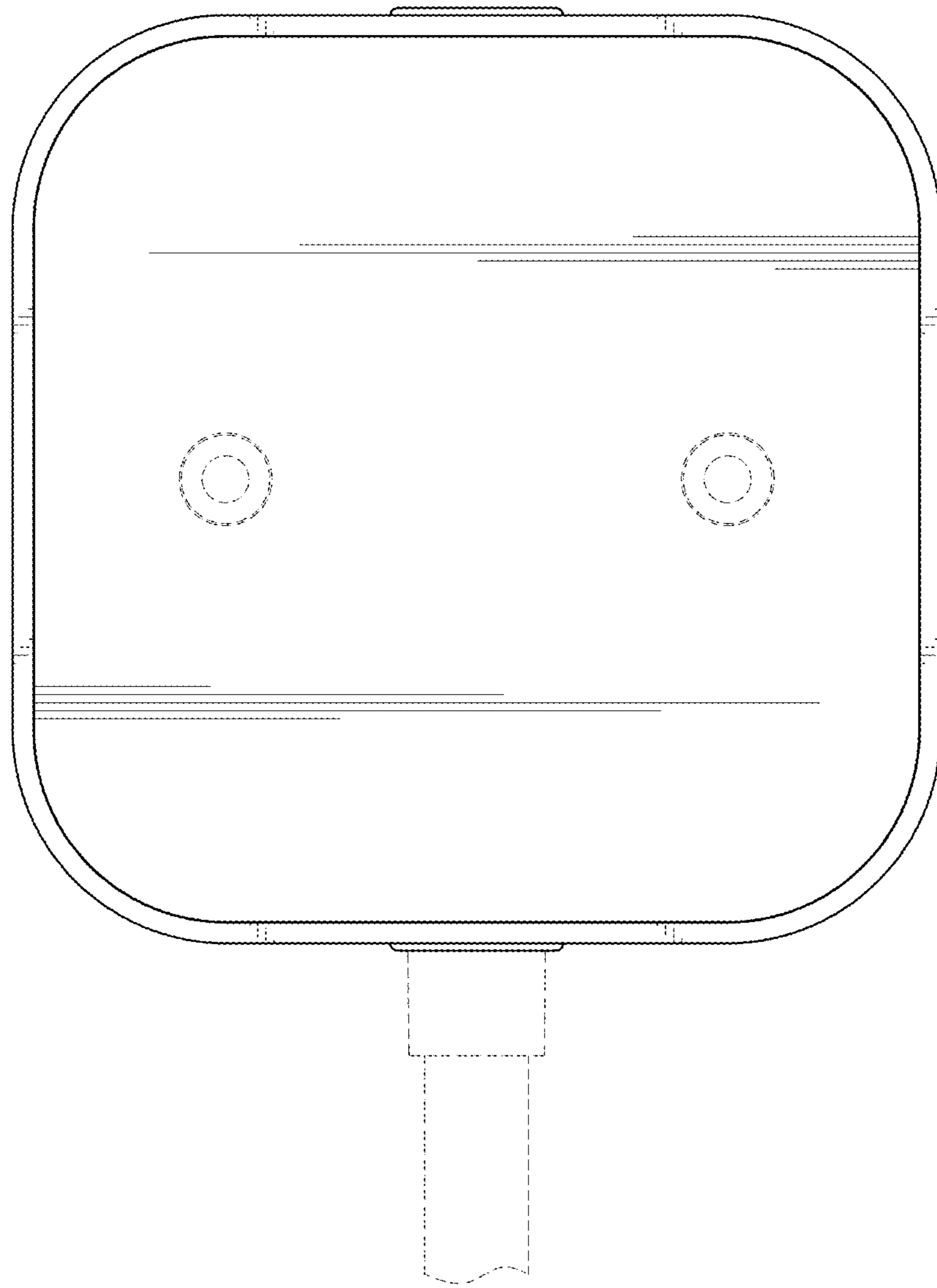


FIG. 8